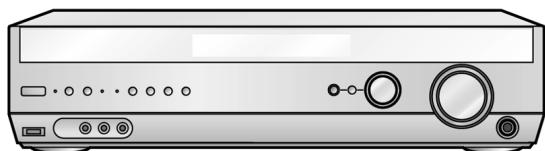


Service Manual

AV Control Receiver



SA-XR55

Remote
Control
Transmitter

SA-XR55P SA-XR55PC

Colour

(S).....Silver Type

(K).....Black Type (P only)

Specification

■ AMPLIFIER SECTION

Rated minimum sine wave RMS power output

20 Hz-20 kHz both channels driven

0.09 % total harmonic distortion 100 W per channel
(6 Ω)

1 kHz continuous power output both channels driven

0.09 % total harmonic distortion 105 W per channel
(6 Ω)

Total harmonic distortion

rated power at 20 Hz-20 kHz 0.09 % (6 Ω)

Power bandwidth

both channels driven, -3 dB 4 Hz-88 kHz
(6 Ω, 0.9 %)

Power output each channel driven

0.9 % total harmonic distortion at 1kHz

Front (L/R) 100 W (6 Ω)

Center 100 W (6 Ω)

Surround (L/R) 100 W (6 Ω)

Surround Back (L/R) 100 W (6 Ω)

Load impedance

Front (L/R)

A or B 6-8 Ω

A and B 6-8 Ω

BI-WIRE 6-8 Ω

Center 6-8 Ω

Surround (L/R) 6-8 Ω

Surround Back (L/R) 6-8 Ω

Frequency response

CD, TAPE, TV, DVD, DVD RECORDER, 4 Hz-88 kHz, ±3 dB
VCR1, VCR2

DVD 6CH 4 Hz-44 kHz, ±3 dB

Input sensitivity

CD, TAPE, TV, DVD, DVD RECORDER, 27 mV
VCR1, VCR2 (200mV, IHF '66)

Input impedance

CD, TAPE, TV, DVD, DVD RECORDER, 22 kΩ
VCR1, VCR2

S/N (IHF A)

CD, TV, DVD, DVD RECORDER 85 dB
(Digital Input) (103 dB, IHF '66)

Tone controls

BASS 50 Hz, +10 to -10 dB

TREBLE 20 kHz, +10 to -10 dB

Subwoofer frequency response (-6 dB)

7 Hz-200 Hz

Digital Input	(OPTICAL)	2
	(COAXIAL)	2

■ FM TUNER SECTION

Frequency range 87.9-107.9 MHz

Sensitivity 11.2 dBf
(2 μV, IHF '58)

50 dB quieting sensitivity

MONO 18.3 dBf
(4.5 μV, IHF '58)STEREO 38.3 dBf
(45 μV, IHF '58)

Total harmonic distortion

MONO 0.2%

STEREO 0.3%

S/N

Panasonic

© 2005 Matsushita Electric Industrial Co. Ltd.. All rights reserved. Unauthorized copying and distribution is a violation of law.

MONO	73 dB
STEREO	67 dB
Frequency response	20 Hz-15 kHz, +1 dB, -2 dB
Alternate channel selectivity	65 dB
Capture ratio	1.5 dB
Image rejection at 98 MHz	40 dB
Spurious response rejection at 98 MHz	75 dB
AM suppression	50 dB
Stereo separation	
1 kHz	40 dB
10 kHz	30 dB
Antenna terminal	75 Ω (unbalanced)

AM TUNER SECTION

Frequency range	530-1710 kHz
Sensitivity	20 μ V, 330 μ V/m
Selectivity	55 dB
IF rejection at 1000 kHz	50 dB

VIDEO SECTION

Output voltage at 1 V input (unbalanced)	1 \pm 0.1 Vp-p
Maximum input voltage	1.5 Vp-p
Input/output impedance	75 Ω
S-Video	

Input	TV, DVD, DVD RECORDER
Output	TV MONITOR
Component Video	
Input	TV, DVD, DVD RECORDER
Output	TV MONITOR

GENERAL

Power supply	AC 120 V, 60 Hz
Power consumption	135 W
Dimensions (W x H x D)	430 mm x 107.5 mm x 394 mm (16-15/16" x 4-7/32" x 15-1/2")
Mass	4.6 kg (10.1 lb.)

DIN POWER

1 kHz, T.H. D 1%	2 x 100 W (6 Ω)
-------------------------	-------------------------

Power consumption in standby mode:	0.2 W
---	--------------

Notes:

- Specifications are subject to change without notice.
Mass and dimensions are approximate.
- Total harmonic distortion is measured by the digital spectrum analyzer.

WARNING

This service information is designed for experienced repair technicians only and is not designed for use by the general public. It does not contain warnings or cautions to advise non-technical individuals of potential dangers in attempting to service a product. Products powered by electricity should be serviced or repaired only by experienced professional technicians. Any attempt to service or repair the product or products dealt with in this service information by anyone else could result in serious injury or death.

CONTENTS

	Page	Page
1 SAFETY PRECAUTIONS	4	
1.1. GENERAL GUIDELINES	4	
2 Before Repair and Adjustment	5	
3 Protection Circuitry	5	
4 Handling the Lead-free Solder	5	
4.1. About lead free solder (PbF)	5	
5 Accessories	6	
6 Operating Instructions	7	
6.1. Main Unit	7	
6.2. Remote Control	8	
6.3. Home Theater Connections	9	
6.4. Other Connections	14	
7 Disassembly and Main Component Replacement Procedures and Operational Check	17	
7.1. Disassembly flow chart	17	
7.2. P.C.B. Positions	18	
7.3. Disassembly of Top Cabinet.	18	
7.4. Checking for the DSP P.C.B. (Side A/B) and Main P.C.B. (Side A).	19	
7.5. Disassembly and Checking of Main P.C.B. (Side B)	20	
7.6. Disassembly of Tuner Pack and Tuner Extent P.C.B.	20	
7.7. Disassembly and Checking of Speaker P.C.B.	21	
7.8. Disassembly and Checking of Component Video P.C.B.	21	
7.9. Disassembly and Checking of Video & Optical P.C.B.	22	
7.10. Disassembly of Rear Panel	22	
7.11. Disassembly and Checking of Input P.C.B.	23	
7.12. Disassembly of Front Panel	24	
7.13. Disassembly and Checking of Panel P.C.B., Volume P.C.B. and Headphone P.C.B.	25	
7.14. Disassembly and Checking of Power P.C.B.	26	
8 Self Diagnosis Display Function	27	
8.1. Automatically Displayed Error Codes	27	
8.2. Display Details	27	
8.3. Returning to Normal Display	27	
8.4. Overload/Shutdown Detection internal Condition	27	
8.5. Overload/Thermal Detection Display	27	
8.6. Activating Self Diagnosis Function (Servicing Mode)	27	
8.7. Analog 6.1 CH Output Check Method	28	

8.8. Returning to Normal Display	28	13.1. DSP P.C.B. (Side A & B)	91
8.9. Activating Self Diagnosis Function (Doctor Mode)	28	13.2. Main P.C.B. (Side A & B)	93
9 Voltage Measurement and Waveform Chart	30	13.3. Input P.C.B.	97
9.1. Voltage Measurement	30	13.4. Tuner Extent P.C.B., Panel P.C.B. & Headphone P.C.B.-99	
9.2. Waveform Chart	37	13.5. Volume P.C.B. & Speaker P.C.B.	101
10 Block Diagram	39	13.6. Power P.C.B.	102
11 Notes of Schematic Diagram	51	13.7. Video & Optical P.C.B. & Component Video P.C.B.	103
12 Schematic Diagram	52	14 Wiring Connection Diagram	105
12.1. DSP Circuit	52	15 Type Illustration of ICs, Transistors and Diodes	107
12.2. Main Circuit	57	16 Terminal Function of ICs	108
12.3. Input Circuit & Tuner Extent Circuit	75	16.1. IC6801 (C2BBGF000669): Microprocessor	108
12.4. Panel Circuit	80	17 Parts Location and Replacement Parts List	109
12.5. Speaker Circuit, Headphone Circuit & Volume Circuit	82	17.1. Cabinet Parts Location	110
12.6. Power Circuit	83	17.2. Electrical Parts List	113
12.7. Video and Optical Circuit	87	17.3. Packing Materials & Accessories Parts List	129
12.8. Component Video Circuit	90	17.4. Packaging	129
13 Printed Circuit Board	91		

1 SAFETY PRECAUTIONS

1.1. GENERAL GUIDELINES

1. When servicing, observe the original lead dress. If a short circuit is found, replace all parts which have been overheated or damaged by the short circuit.
2. After servicing, see to it that all the protective devices such as insulation barriers, insulation papers shields are properly installed.
3. After servicing, make the following leakage current checks to prevent the customer from being exposed to shock hazards.

(This "Safety Precaution" is applied only in U.S.A.)

1. Before servicing, unplug the power cord to prevent an electric shock.
2. When replacing parts, use only manufacturer's recommended components for safety.
3. Check the condition of the power cord. Replace if wear or damage is evident.
4. After servicing, be sure to restore the lead dress, insulation barriers, insulation papers, shields, etc.
5. Before returning the serviced equipment to the customer, be sure to make the following insulation resistance test to prevent the customer from being exposed to a shock hazard.

1.1.1. LEAKAGE CURRENT COLD CHECK

1. Unplug the AC cord and connect a jumper between the two prongs on the plug.
2. Measure the resistance value, with an ohmmeter, between the jumpered AC plug and each exposed metallic cabinet part on the equipment such as screwheads, connectors, control shafts, etc. When the exposed metallic part has a return path to the chassis, the reading should be between $1M\Omega$ and 5.2Ω .

When the exposed metal does not have a return path to the chassis, the reading must be ∞ .

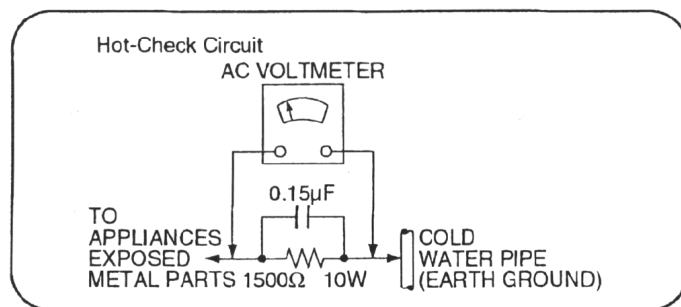


Fig. 1

1.1.2. LEAKAGE CURRENT HOT CHECK (See Figure 1.)

1. Plug the AC cord directly into the AC outlet. Do not use an isolation transformer for this check.
2. Connect a 1.5kΩ, 10 watts resistor, in parallel with a 0.15µF capacitors, between each exposed metallic part on the set and a good earth ground such as a water pipe, as shown in Figure 1.
3. Use an AC voltmeter, with 1000 ohms/volt or more sensitivity, to measure the potential across the resistor.
4. Check each exposed metallic part, and measure the voltage at each point.
5. Reverse the AC plug in the AC outlet and repeat each of the above measurements.
6. The potential at any point should not exceed 0.75 volts RMS. A leakage current tester (Simpson Model 229 or equivalent) may be used to make the hot checks, leakage current must not exceed 1/2 milliamp. In case a measurement is outside of the limits specified, there is a possibility of a shock hazard, and the equipment should be repaired and rechecked before it is returned to the customer.

1.1.3. CAUTION FOR FUSE REPLACEMENT

(For English)

CAUTION:

Replace with the same type fuse:
(Manufacturer: SOC Corp., Type: ULTSC or F1, 8A 125V)

(For Canadian French)

ATTENTION:

Utiliser un fusible de rechange de même type:
(Fabricant: SOC Corp., Type: ULTSC or F1, 8A 125V)

2 Before Repair and Adjustment

Disconnect AC power, discharge Power Supply Capacitors C707, C717 and C718 through a 10 Ω , 10 W resistor to ground. DO NOT SHORT-CIRCUIT DIRECTLY (with a screwdriver blade, for instance), as this may destroy solid state devices.

After repairs are completed, restore power gradually using a variac, to avoid overcurrent.

- Current consumption at AC 120 V, 50/60 Hz in NO SIGNAL mode should be 200~800 mA.

3 Protection Circuitry

The protection circuitry may have operated if either of the following conditions are noticed:

- No sound is heard when the power is turned on.
- Sound stops during a performance.

The function of this circuitry is to prevent circuitry damage if, for example, the positive and negative speaker connection wires are "shorted", or if speaker systems with an impedance less than the indicated rated impedance of the amplifier are used.

If this occurs, follow the procedure outlines below:

1. Turn off the power.
2. Determine the cause of the problem and correct it.
3. Turn on the power once again after one minute.

Note :

When the protection circuitry functions, the unit will not operate unless the power is first turned off and then on again.

4 Handling the Lead-free Solder

4.1. About lead free solder (PbF)

Distinction of PbF P.C.B.:

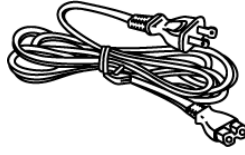
P.C.B.s (manufactured) using lead free solder will have a PbF stamp on the P.C.B.

Caution:

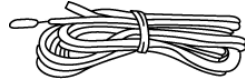
- Pb free solder has a higher melting point than standard solder; Typically the melting point is 50 - 70°F (30 - 40°C) higher. Please use a high temperature soldering iron. In case of soldering iron with temperature control, please set it to 700 \pm 20°F (370 \pm 10°C).
- Pb free solder will tend to splash when heated too high (about 1100°F/600°C).
- When soldering or unsoldering, please completely remove all of the solder on the pins or solder area, and be sure to heat the soldering points with the Pb free solder until it melts enough.

5 Accessories

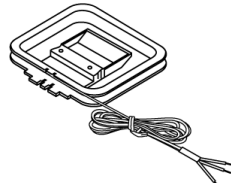
Note : Refer to Packaging Materials & Accessories Part List (Section 17.3) for part number.



AC cord



FM indoor antenna



AM loop antenna



Remote control

6 Operating Instructions

6.1. Main Unit

Main unit

[], [POWER]

Press to switch the unit from on to standby mode or vice versa. In standby mode, the unit is still consuming a small amount of power.

Standby indicator []

When the unit is connected to the AC mains supply, this indicator lights up in standby mode and goes out when the unit is turned on.

[SPEAKERS, A, B]

For selecting speakers A or B. Turning the speakers off automatically engages the STEREO/2CH MIX mode (when listening through headphones, for example).

[MULTI CONTROL, CANCEL]

Press to enter Multi control or cancel.

[ENTER]

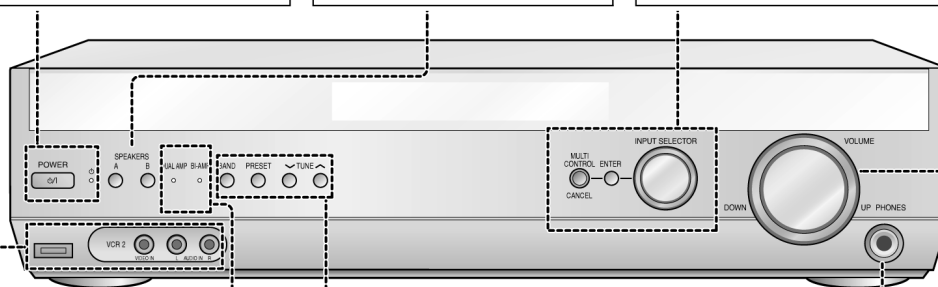
Enters setting in Multi control.

[INPUT SELECTOR]

For selecting input. Selects each setting in Multi control.

[VOLUME]

Volume control.



Remote control signal sensor

[VCR 2]

For a game player, etc.

[DUAL AMP]

Lights when the DUAL AMP function is activated.

[BI-AMP]

Lights when the BI-AMP function is activated.

[BAND]

For switching between FM and AM.

[PRESET]

Press to allow preset station selection with [TUNE].

[TUNE]

For tuning the radio and selecting preset stations. Press and hold until the frequency starts scrolling to start automatic tuning. Tuning stops when a station is found.

[PHONES]

Headphone jack
Plug type: 6.3 mm (1/4") stereo
Avoid listening for prolonged periods of time to prevent hearing damage.
Turn the speakers off when using the headphones.

Display indicators

[RE-MASTER]

Lights when the multi-source re-master function is on.

[MULTI CONTROL]

When you press the [MULTI CONTROL, CANCEL] button and enter the settings the indicator lights.

[SLEEP]

Sleep timer indicator.

[TUNED]

A station is tuned.

[ST]

A stereo FM broadcast is tuned.

[MONO]

Lights when using the monaural mode.

[]

Flashes during automatic presetting.

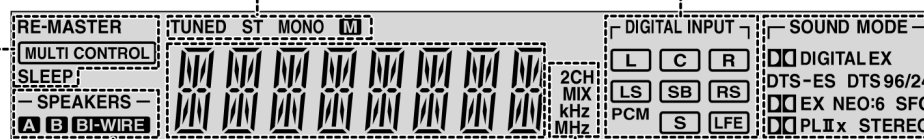
[DIGITAL INPUT]

- The channels contained in the digital input signal light.
- No sound is output from a channel if the speaker is set to “_” (not connected) in “Speakers combination settings” (→page 12) even if the channel indicator lights.

L: Front left channel **C:** Center channel
R: Front right channel **LS:** Surround left channel
SB: Surround back channel **RS:** Surround right channel
S: If the surround channel is monaural
LFE (Low Frequency Effects): Deep-bass effect.

[PCM]

Lights when the PCM FIX mode is set.



[– SPEAKERS – A, B, BI-WIRE]

Speaker indicators.

- A:** Sound is output from speakers connected to the front A, surround, and center terminals.
- B:** Sound is output only from speakers connected to the front B terminals.
- A, B:** Sound is output from speakers connected to the front A, B, surround, and center terminals.
- A, B, BI-WIRE:** Sound is output from speakers connected by Bi-wiring.

General display

Shows the input mode, radio frequency, and other general information.

[2CH MIX]

Lights when playing a multi-channel source in 2CH MIX mode.

[kHz, MHz]

Frequency unit indicators.
kHz: AM, or PCM sampling frequency
MHz: FM

[SOUND MODE]

The following light to indicate the source's input signal (multi-channel digital signal) and the decoding format used. (→below)

SOUND MODE

- DIGITAL:** Dolby Digital decoder is being used.
- DIGITAL EX:** Dolby Digital Surround EX decoder (Dolby Pro Logic IIx decoder) is being used when the input signal is Dolby Digital 5.1 channel or Dolby Digital Surround EX.
- EX:** Dolby Digital Surround EX decoder (Dolby Pro Logic IIx decoder) is being used when the input signal is DTS.
- DTS-ES:** DTS-ES discrete or matrix decoder is being used.
- DTS:** DTS decoder is being used.
- DTS 96/24:** DTS 96/24 decoder is being used.
- STEREO:** 2-channel stereo decoder is being used.

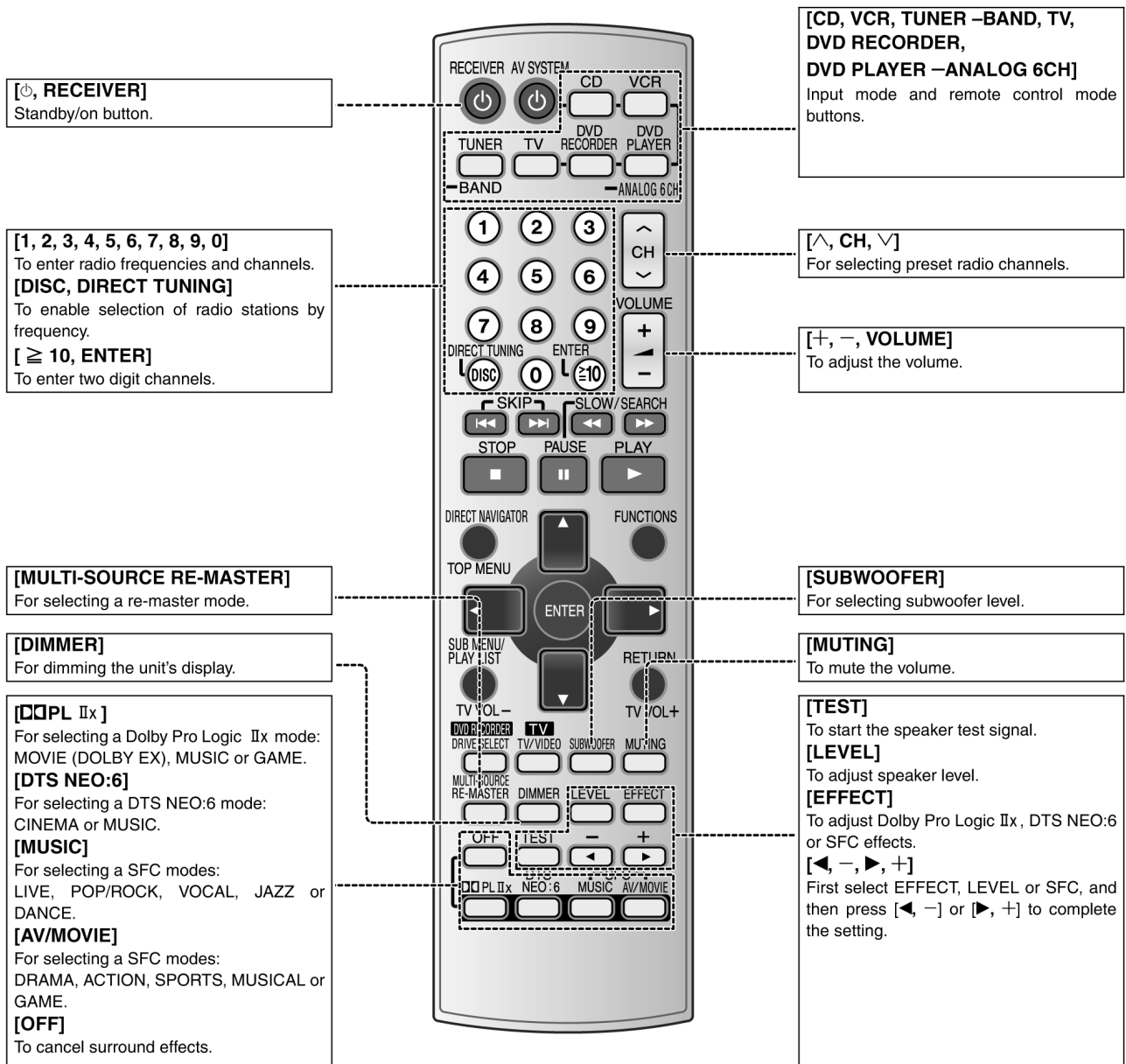
- PL IIx:** Dolby Pro Logic IIx decoder is being used.
- NEO:6:** DTS NEO:6 matrix decoder is being used.
- SFC:** SFC matrix function is being used.

DIGITAL EX and EX are displayed only when “1 SPKR” is selected in “Surround back speaker settings”.

6.2. Remote Control

Remote control

Buttons not explained on this page are used only to operate other equipment.





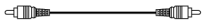




6.3. Home Theater Connections

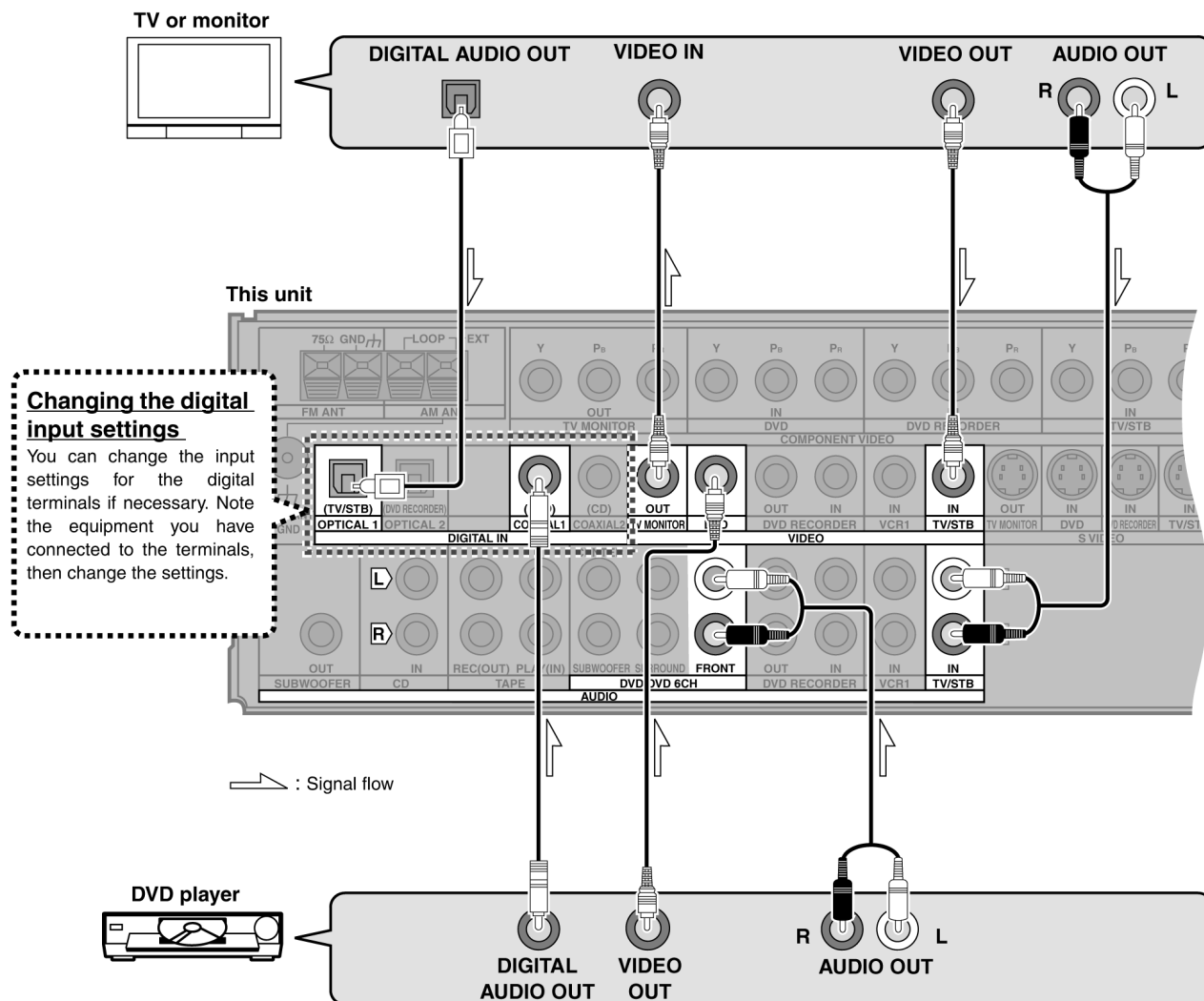
6.3.1. TV and DVD Player

Basic connection

Preparation: Turn off all components before making any connections.

Connection Cable (All cables are sold separately)	
Audio cable	Video cable
Stereo connection cable White (L)   You can enjoy analog sound. Red (R)  	Video connection cable  Use to connect to the TV MONITOR terminals for a standard picture. Can also be used to make a component video connection for a higher quality picture than an S-video connection.
Coaxial cable  You can enjoy digital sound such as Dolby Digital, DTS and PCM.	
Optical fiber cable  • Do not sharply bend the optical fiber cable.	

- Use an analog connection to enjoy sources that cannot be decoded on this unit and to record analog sources.



CAUTION!

DO NOT INSTALL OR PLACE THIS UNIT IN A BOOKCASE, BUILT-IN CABINET OR IN ANOTHER CONFINED SPACE. ENSURE THE UNIT IS WELL VENTILATED. TO PREVENT RISK OF ELECTRIC SHOCK OR FIRE HAZARD DUE TO OVERHEATING, ENSURE THAT CURTAINS AND ANY OTHER MATERIALS DO NOT OBSTRUCT THE VENTILATION VENTS.



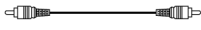
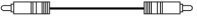
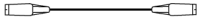
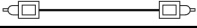
CAUTION!

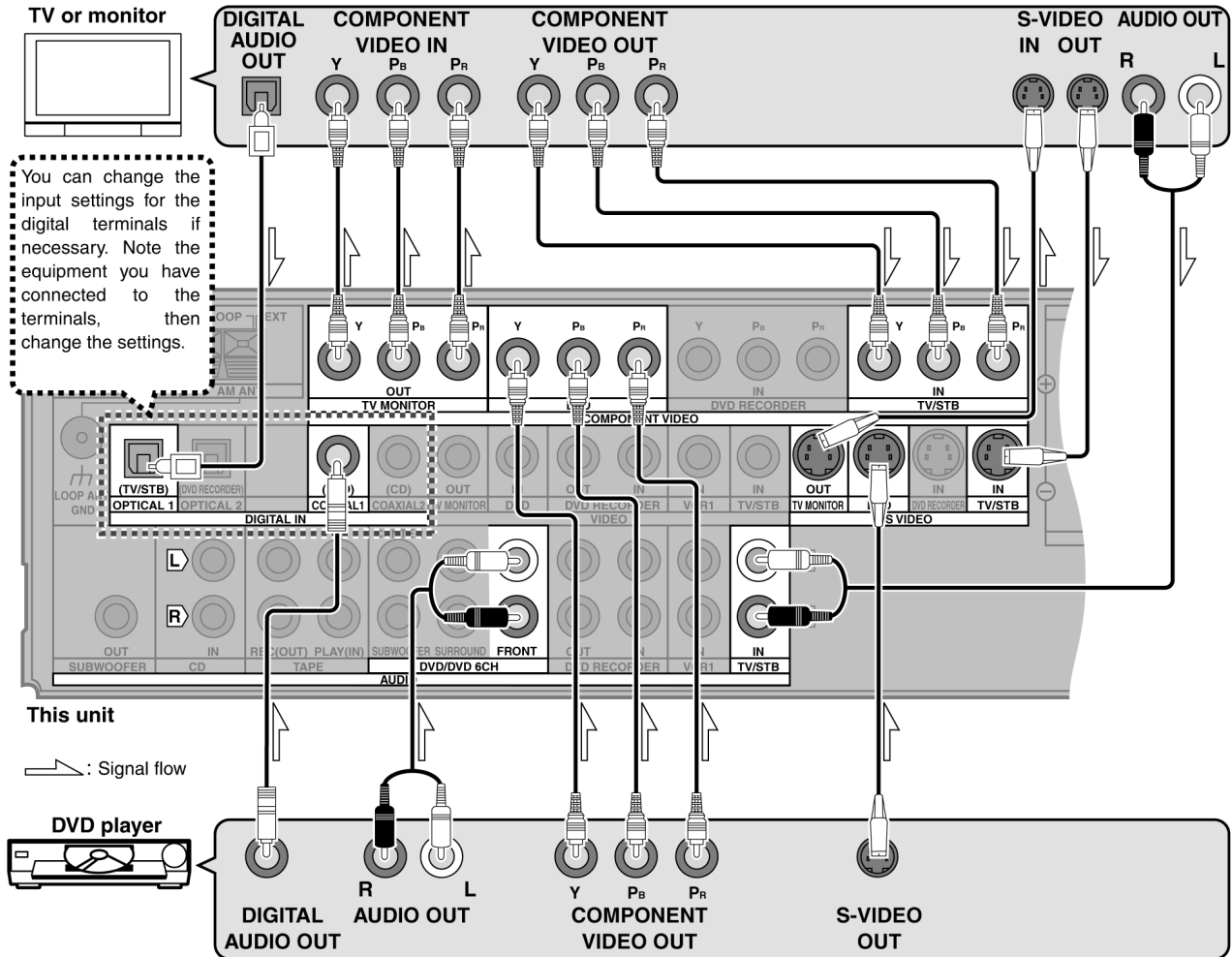
Do not place anything on top of this unit or block the heat radiation vents in any way. In particular, do not place tape decks or CD/DVD players on this unit as heat radiated from it can damage your software.

High picture quality connection

Use this connection instead of the VIDEO IN/VIDEO OUT connections on page 8. A COMPONENT VIDEO connection provides a purer picture than a S-VIDEO connection. **Select a S-VIDEO or COMPONENT VIDEO connection to match the peripheral equipment.**

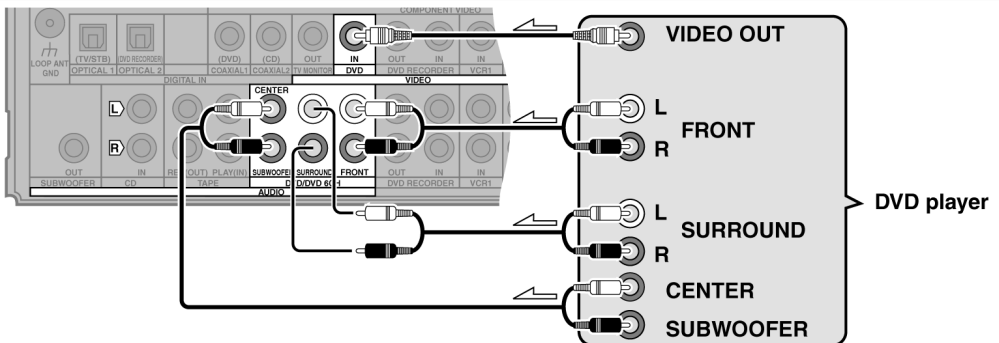
Preparation: Turn off all components before making any connections.

Connection Cable (All cables are sold separately)	
Audio cable	Video cable
<p>Stereo connection cable</p> <p>White (L)  Red (R)  You can enjoy analog sound.</p>	<p>Video connection cable</p>  Use to connect to the TV MONITOR terminals for a standard picture. Can also be used to make a component video connection for a higher quality picture than an S-video connection.
<p>Coaxial cable</p>  You can enjoy digital sound such as Dolby Digital, DTS and PCM.	<p>S-video connection cable</p>  You can enjoy a higher quality picture than with a video connection cable.
<p>Optical fiber cable</p>  Do not sharply bend the optical fiber cable.	

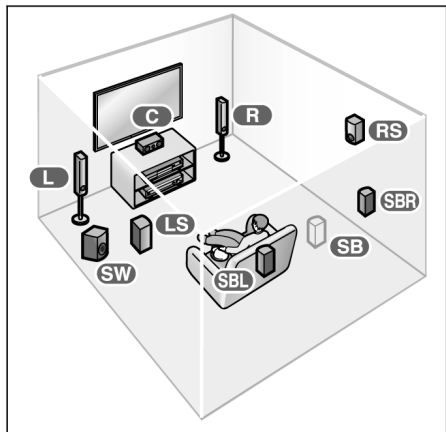


DVD ANALOG 6CH connection

You can play high fidelity sound such as DVD-Audio. You need to make additional connections for this.



6.3.2. Speakers



L R Front speakers (L: left/R: right)

Place on the left and right of the TV at seated ear height so that there is good coherency between the picture and sound.

C Center speaker

Place underneath or above the center of the TV. Aim the speaker at the seating area.

LS RS Surround speakers (LS: left/RS: right)

Place on the side of or slightly behind the seating area, about one meter (3 feet) higher than ear level.

SBL SBR (SB) Surround back speakers (SBL: left/SBR: right)

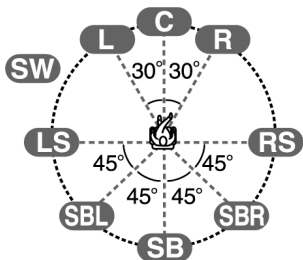
Place behind the seating area, about one meter (3 feet) higher than ear level.

SB: One surround back speaker.

SBL/SBR: Two surround back speakers.

SW Subwoofer

The subwoofer can be placed in any position as long as it is at a reasonable distance from the TV.



- The front, center, and surround speakers should be placed at approximately the same distance from the seating position.
- The angles in the diagram are approximate.
- Set the distance of the speakers from the seating position if you cannot place them at the same distances.
- Speaker settings and placement should suit the number of speakers.

■ Placement of speakers

The number of speakers	Speakers	Placement
7	2 Front speakers (Left/Right), 1 Center speaker, 2 Surround speakers (Left/Right), 2 Surround back speakers (Left/Right)	
6	2 Front speakers (Left/Right), 1 Center speaker, 2 Surround speakers (Left/Right), 1 Surround back speaker	
	2 Front speakers (Left/Right), 2 Surround speakers (Left/Right), 2 Surround back speakers (Left/Right)	
5	2 Front speakers (Left/Right), 2 Surround speakers (Left/Right), 1 Surround back speaker	
	2 Front speakers (Left/Right), 1 Center speaker, 2 Surround speakers (Left/Right),	
4	2 Front speakers (Left/Right), 2 Surround speakers (Left/Right)	
3	2 Front speakers (Left/Right), 1 Center speaker	
2	2 Front speakers (Left/Right)	
+	1 Subwoofer	

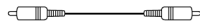
Preparation: Turn off all components before making any connections.

Speaker cable (All cables are sold separately)

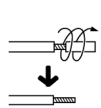
Speaker cable



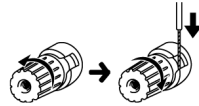
Monoural connection cable



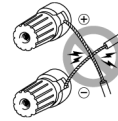
Twist the wire



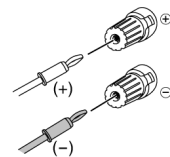
Speaker terminals



Do not short-circuit



If using 4-mm plugs



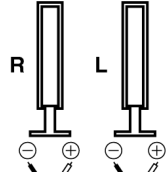
Fully tighten the terminal, then insert.

Connect the cables so "L", "R", "+" and "-" are correct.

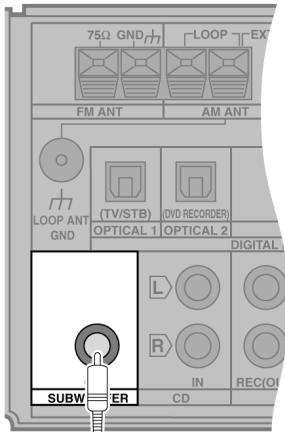
Speaker impedance:

- Front A: 6-8 Ω
- Center: 6-8 Ω
- Surround: 6-8 Ω
- Surround back: 6-8 Ω

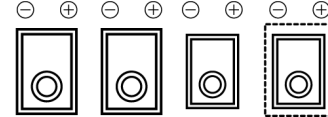
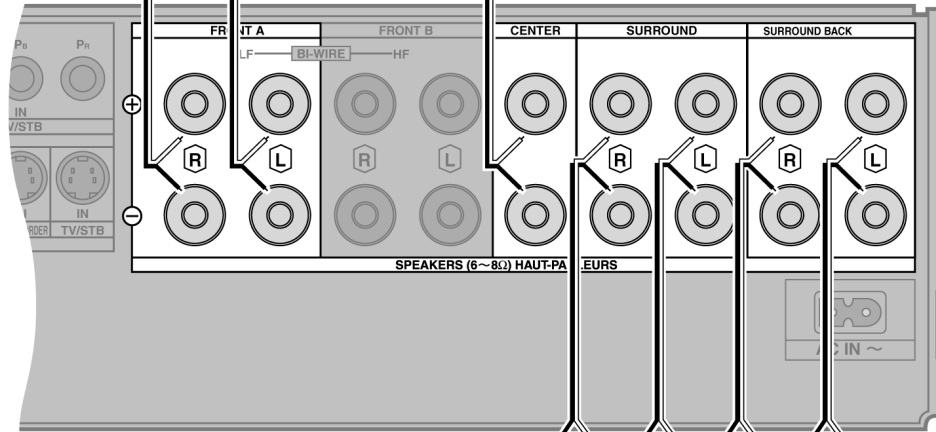
Front speakers



Center speaker



Active subwoofer



Surround speakers

Surround back speakers

Connect here if there is only one surround back speaker.

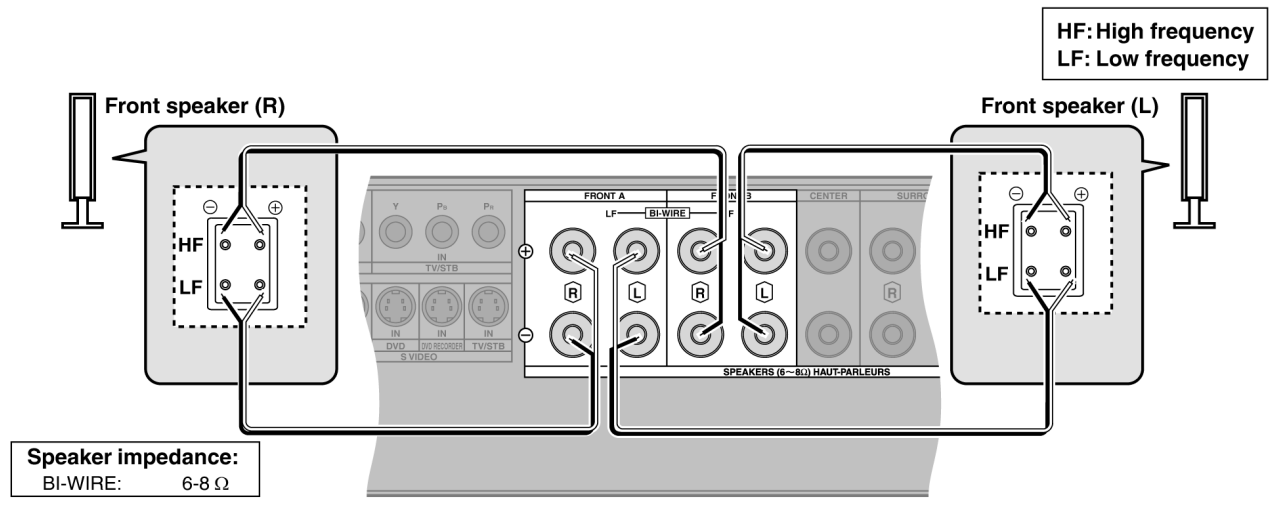
Preparation: Turn off all components before making any connections.

Bi-wiring connection

You can enjoy high quality sound by connecting to speakers designed for bi-wiring.

BI-WIRE compatible speakers have separate terminals for the high frequency and low frequency signals.

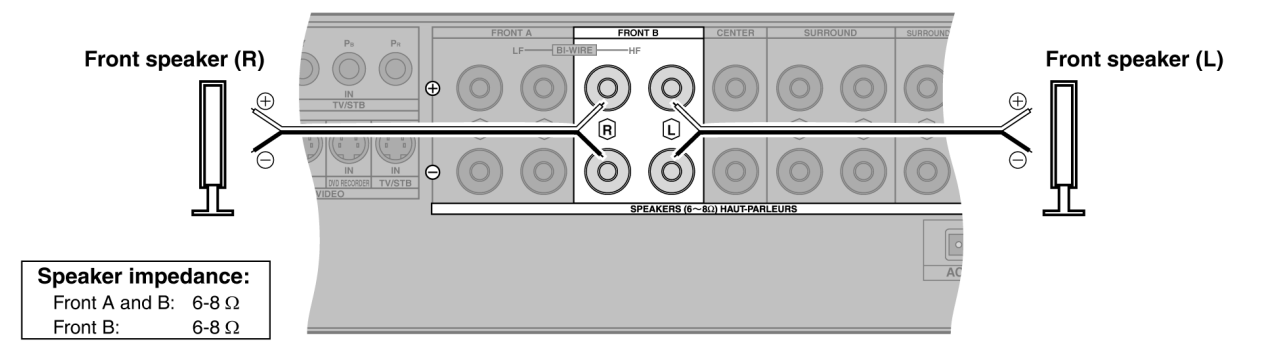
- When using a bi-wiring connection, select "BI-WIRE" for "Bi-wiring settings".



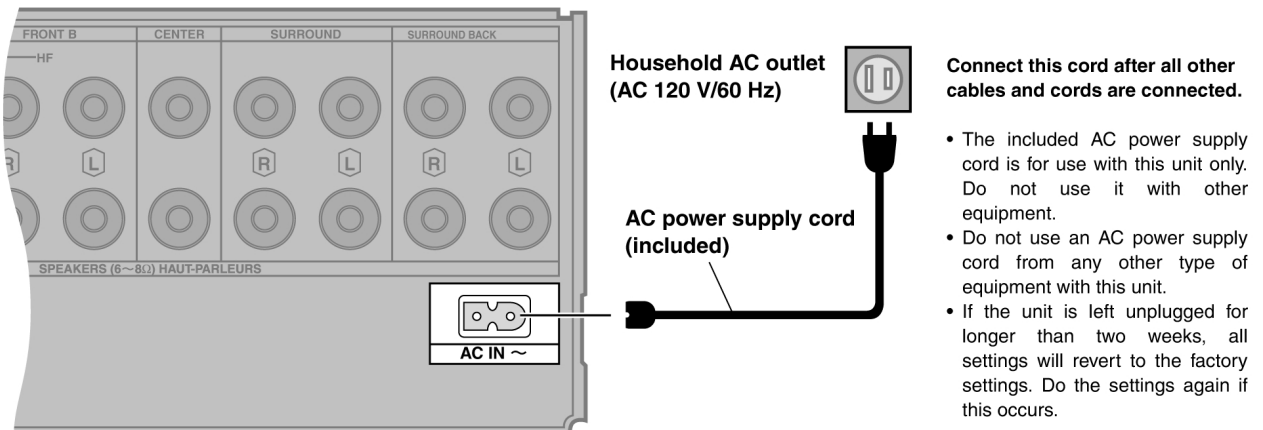
Using speaker terminal B

For connection to a second pair of speakers. Use the A terminals to enjoy multi-channel sound.

If you select SPEAKERS B only, playback is 2-channel. When a multi-channel source is played, the sounds intended for all the speakers are played through the front left and front right speakers (2CH MIX).

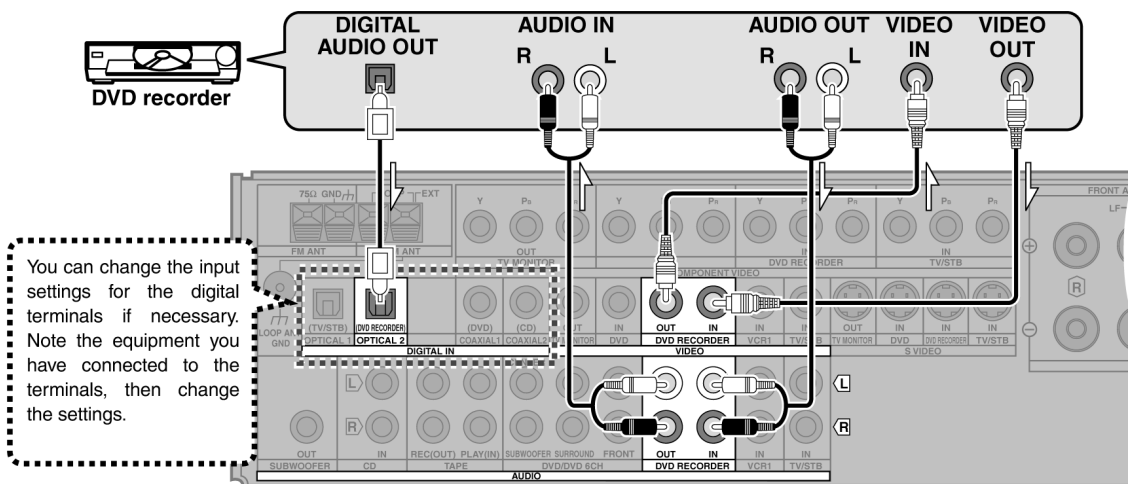


6.3.3. AC Power Supply Cord

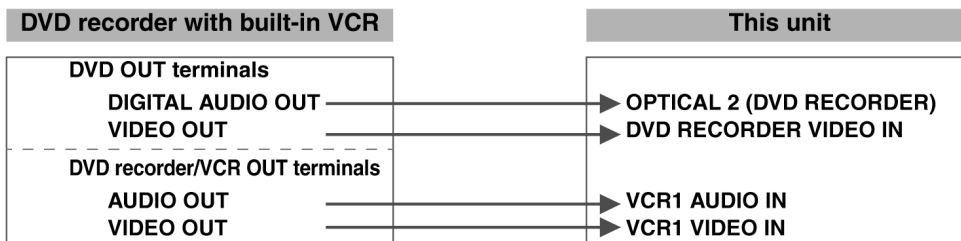


6.4. Other Connections

DVD recorder



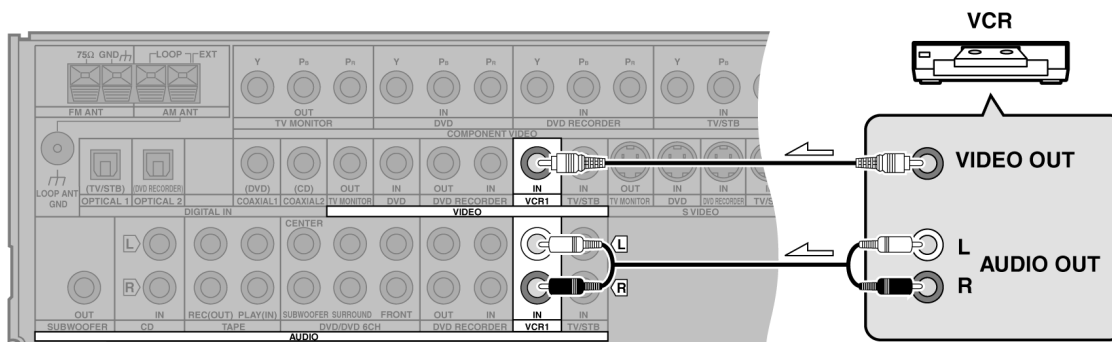
■ Connection to a DVD recorder with built-in VCR:



■ Connection to equipment with DVD analog 5.1 CH OUT terminals:

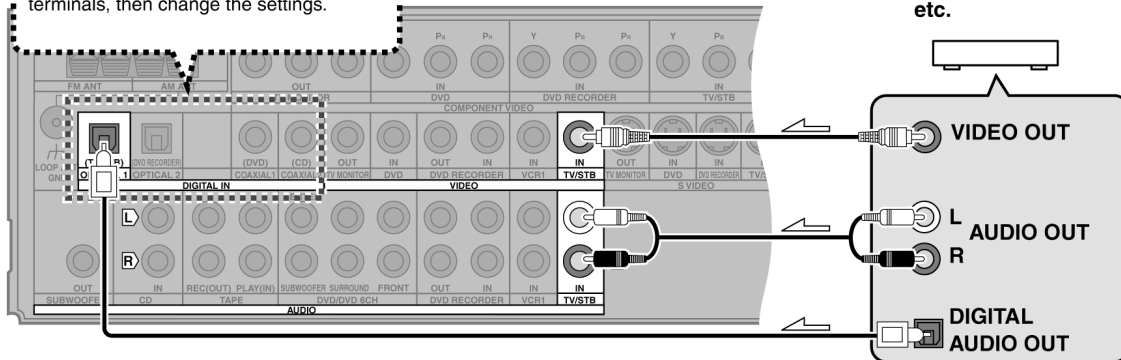
Connect as shown in "DVD ANALOG 6CH connection", replacing the DVD player with a DVD recorder.

VCR (Playback only)



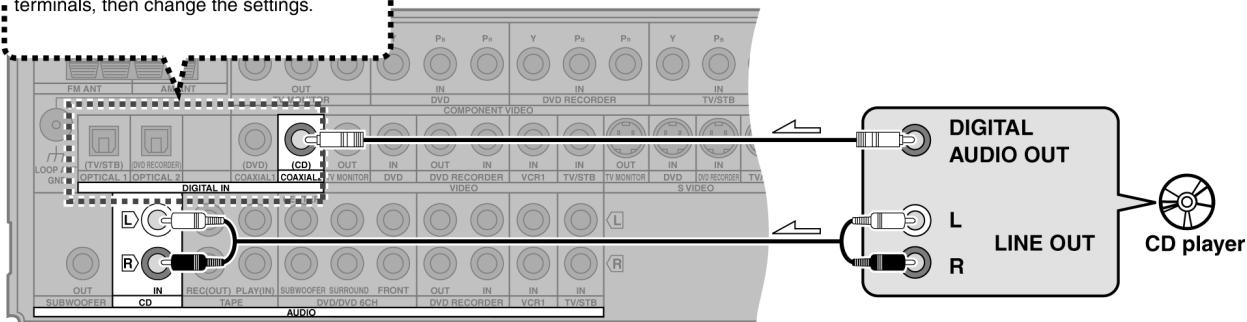
Cable box or satellite receiver etc.

You can change the input settings for the digital terminals if necessary. Note the equipment you have connected to the terminals, then change the settings.

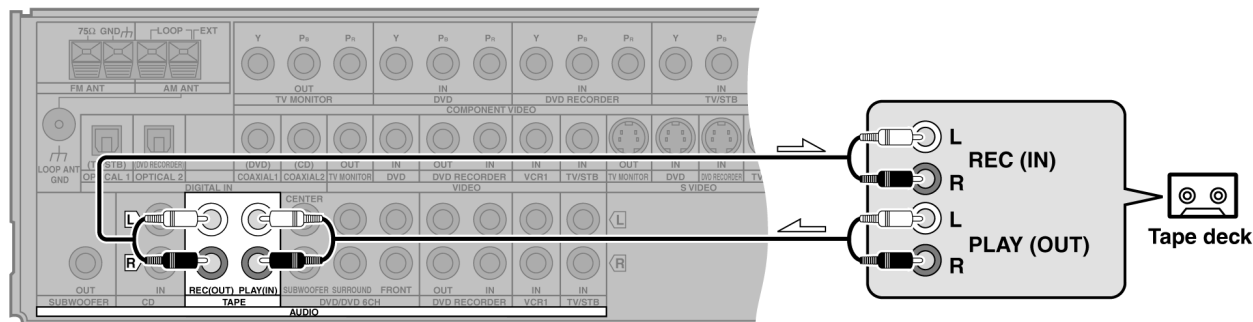


CD player

You can change the input settings for the digital terminals if necessary. Note the equipment you have connected to the terminals, then change the settings.

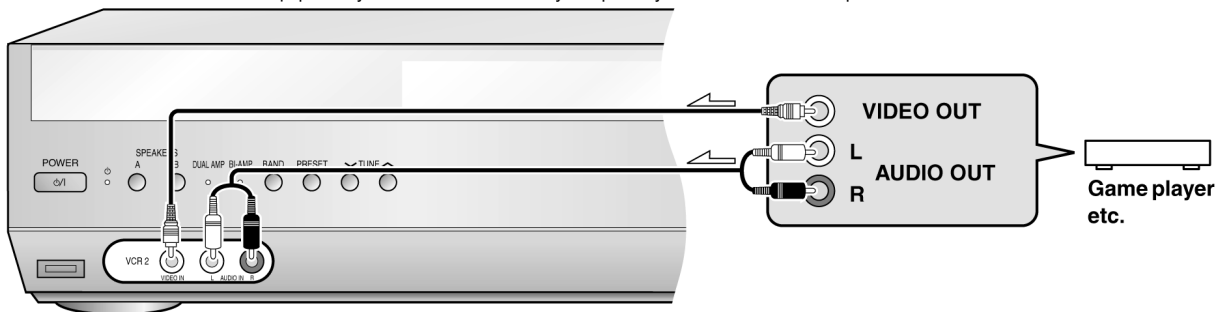


Tape deck

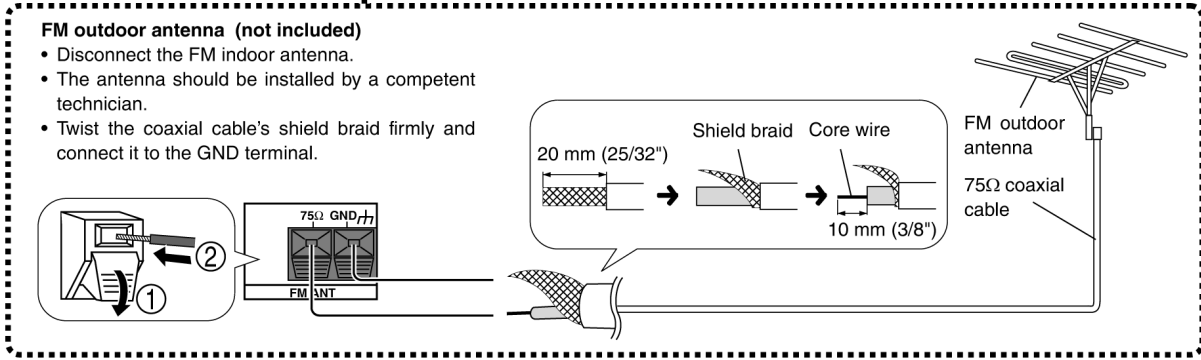
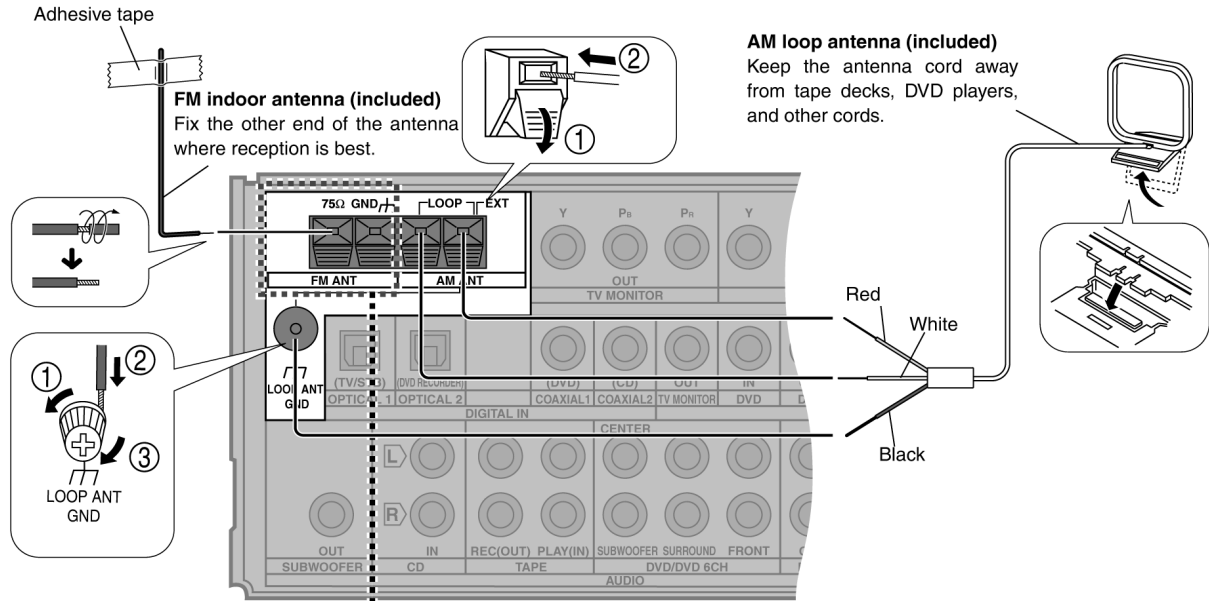


Game player etc.

These terminals are convenient for equipment you want to connect only temporarily. Select "VCR 2" for input.



Antennas



7 Disassembly and Main Component Replacement Procedures and Operational Check

“ATTENTION SERVICER”

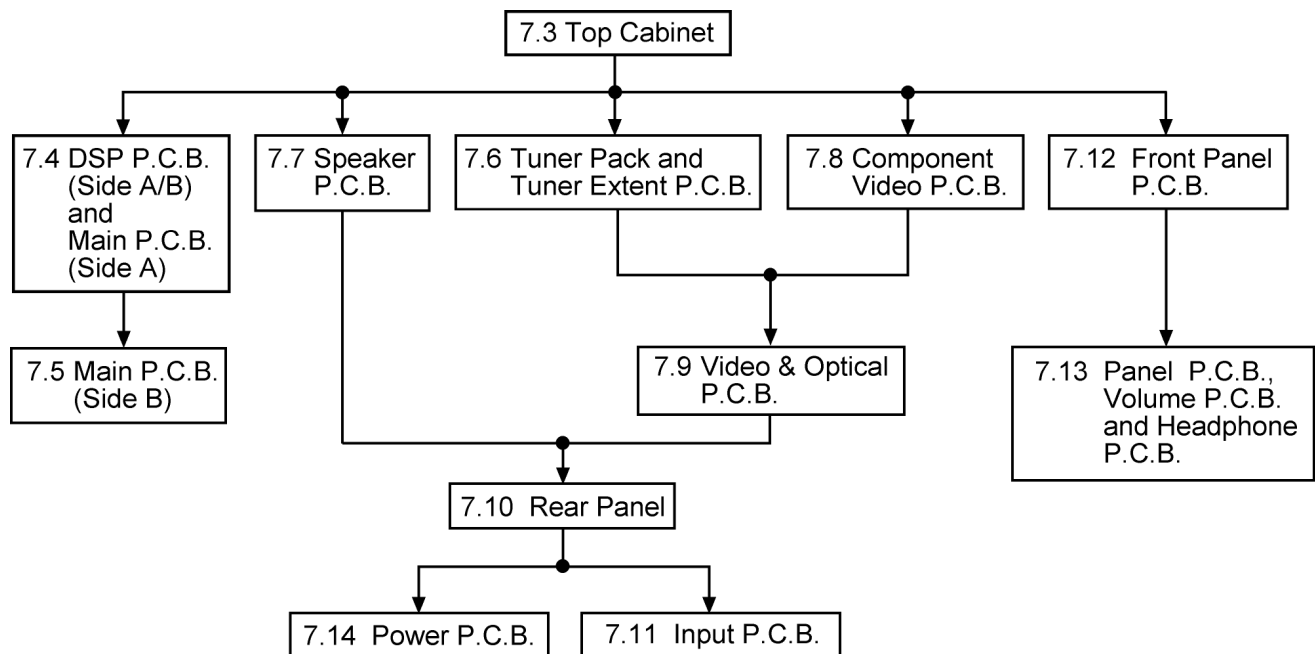
Some chassis components may be have sharp edges. Be careful when disassembling and servicing.

1. This section describes procedures for checking the operation of the major printed circuit boards and replacing the main components.
2. For reassembly after operation checks or replacement, reverse the respective procedures.
Special reassembly procedures are described only when required.
3. Select items from the following index when checks or replacement are required.
 - Disassembly of Top Panel
 - Checking for the DSP P.C.B. (Side A/B) and Main P.C.B. (Side A)
 - Disassembly and checking of Main P.C.B. (Side B)
 - Disassembly of Tuner Pack and Tuner Extent P.C.B.
 - Disassembly and Checking of Speaker P.C.B.
 - Disassembly and Checking of Component Video P.C.B.
 - Disassembly and Checking of Video & Optical P.C.B.
 - Disassembly of Rear Panel
 - Disassembly of Checking of Input P.C.B.
 - Disassembly of Front Panel
 - Disassembly and Checking of Panel P.C.B., Volume P.C.B. and Headphone P.C.B.
 - Disassembly and Checking of Power P.C.B.

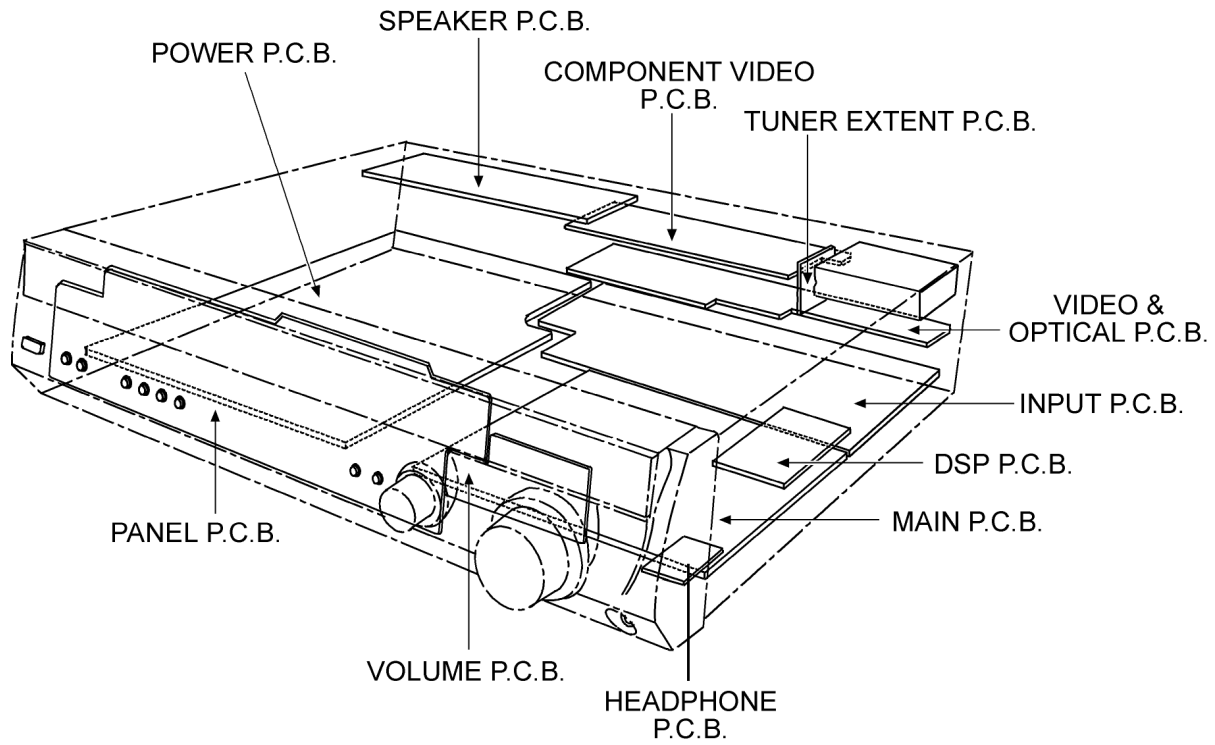
7.1. Disassembly flow chart

The following chart is the procedure for disassembling the casing and inside parts for internal inspection when carrying out the servicing.

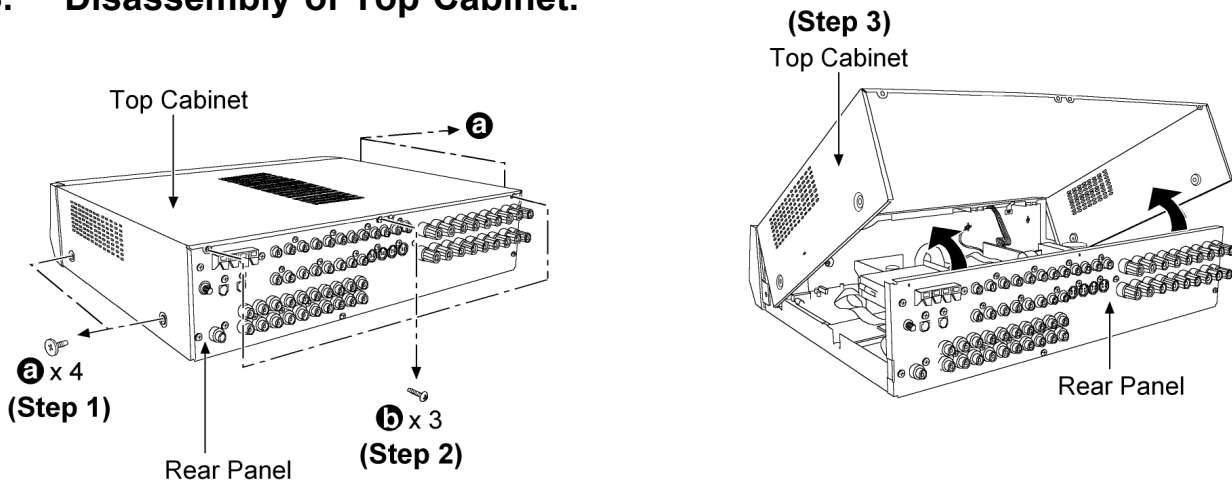
To assemble the unit, reverse the steps shown in the chart below.



7.2. P.C.B. Positions



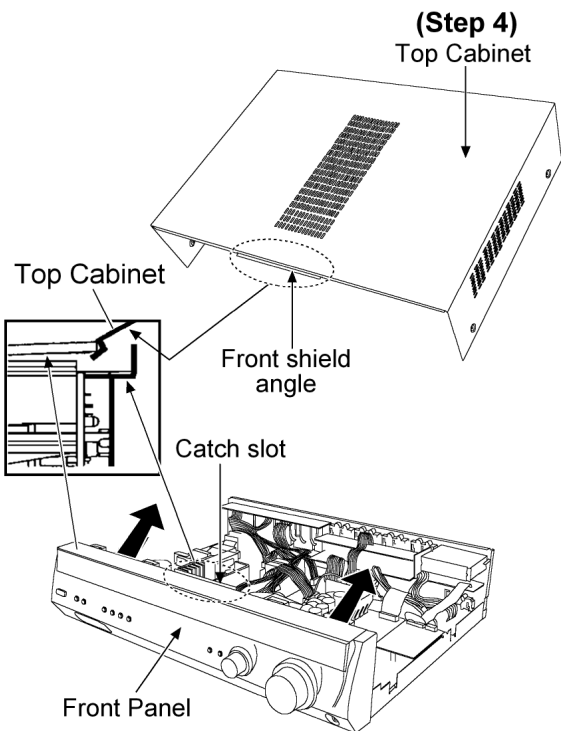
7.3. Disassembly of Top Cabinet.



Step 3 : Lift up the top cabinet as arrow shown.

Step 1 : Remove 4 screws from the top cabinet.

Step 2 : Remove 3 screws from the rear panel.

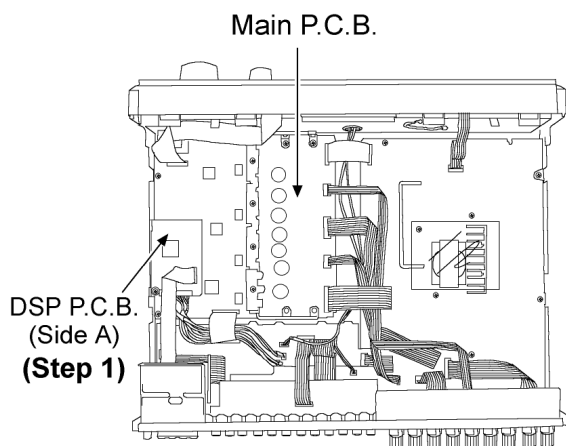
**NOTE:**

Be careful of the catch slot between front shield angle and front panel when removing the top cabinet from the unit.

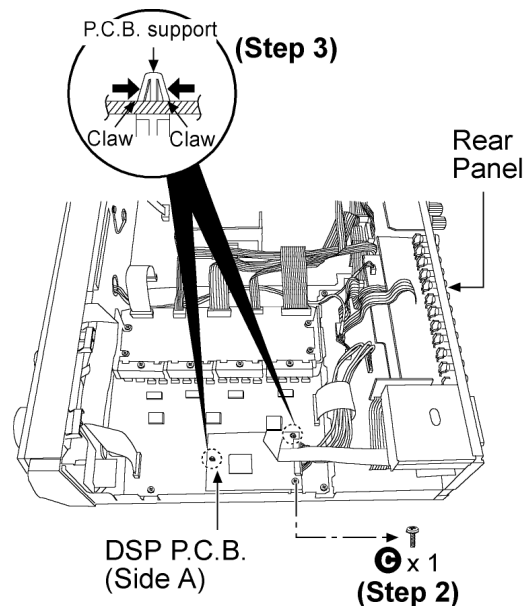
Step 4 : Remove the top cabinet.

7.4. Checking for the DSP P.C.B. (Side A/B) and Main P.C.B. (Side A).

· Follow the (Step 1) - (Step 4) of item 7.3.



Step 1 : Check the DSP P.C.B. (Side A).

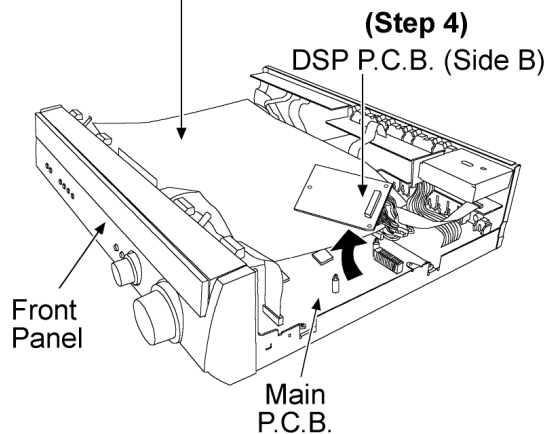


Step 2 : Remove 1 screw.

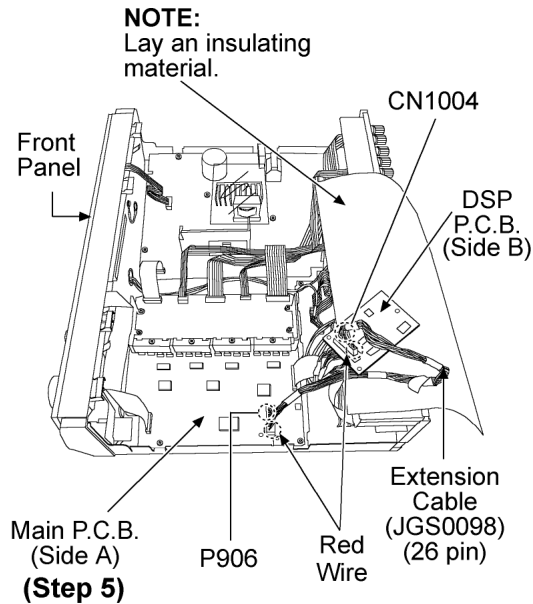
Step 3 : Release the claws of the P.C.B support then detach the DSP. P.C.B.

NOTE:

Lay an insulating material.



Step 4 : Flip over the DSP P.C.B. as arrow shown.

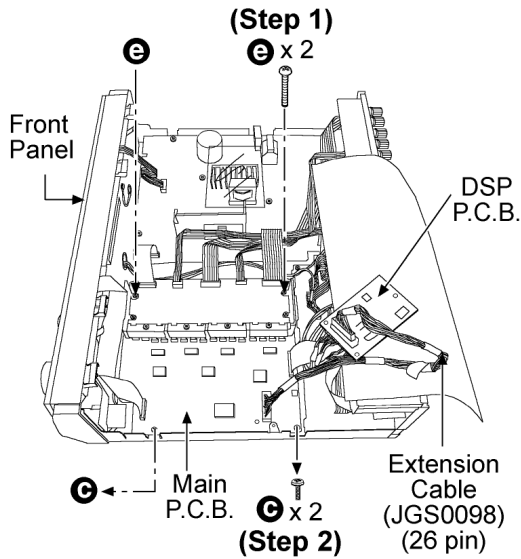


Caution:
Red wire in the extension cable connect between Main P.C.B and DSP P.C.B (Side B) should be connected to the same position as original cable.

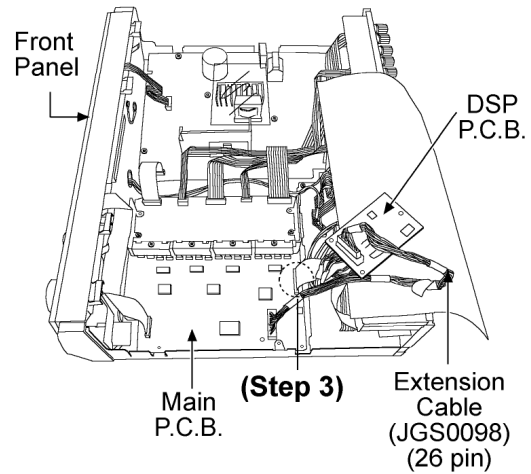
Step 5 : Connect the DSP P.C.B. (Side B) and Main P.C.B. (Side A) by using the extension cable then proceed with the checking.

7.5. Disassembly and Checking of Main P.C.B. (Side B)

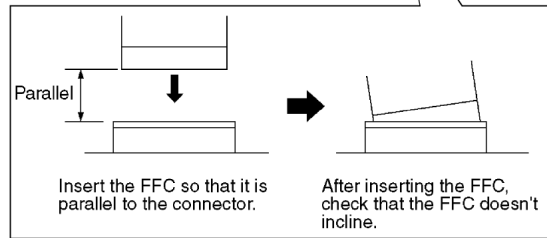
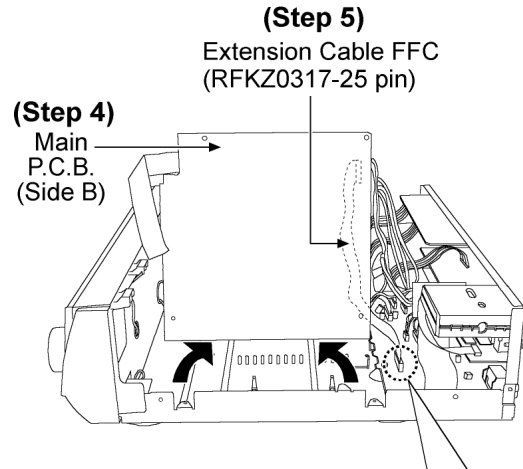
- Follow the (Step 1) - (Step 4) of item 7.3.
- Follow the (Step 1) - (Step 5) of item 7.4.



Steps 1 and 2 : Remove 4 screws altogether.



Step 3 : Detach the 25 pin FFC wire (REE1324) between connectors P6501B (Main P.C.B.) and P6501A (Input P.C.B.)



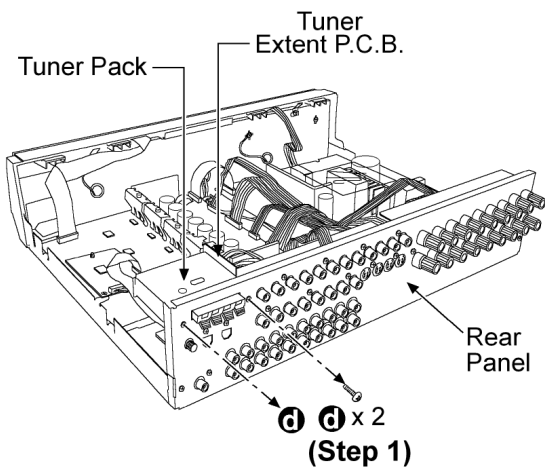
Caution :
Be careful when connecting the extension FFC wire (RFKZ0317) between the DSP P.C.B. and Main P.C.B.
Please refer to above diagram.

Step 4 : Flip over the Main P.C.B. as arrow shown.

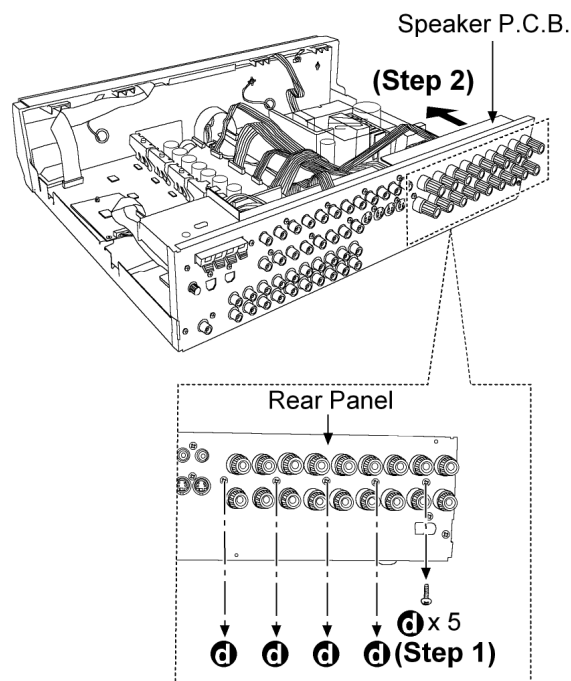
Step 5 : Check the Main P.C.B (Side B) by connecting the extension cable (RFKZ0317-25 pin).

7.6. Disassembly of Tuner Pack and Tuner Extent P.C.B.

- Follow the (Step 1) - (Step 4) of item 7.3.

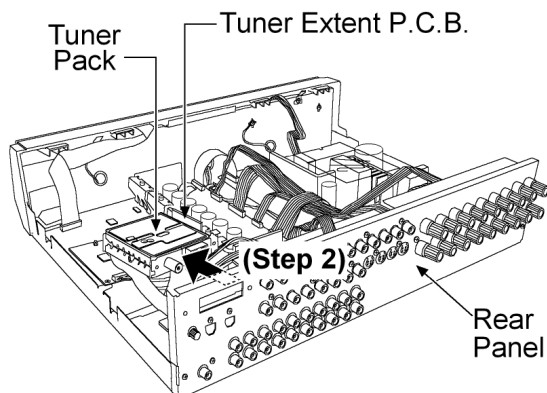


Step 1: Remove 2 screws.



Step 1: Remove 5 screws.

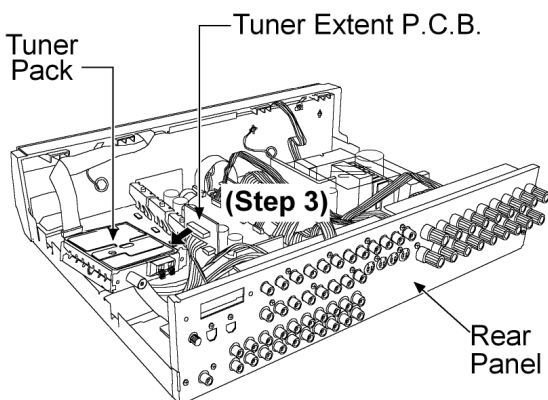
Step 2: Remove the Speaker P.C.B. from rear panel as arrow shown for checking.



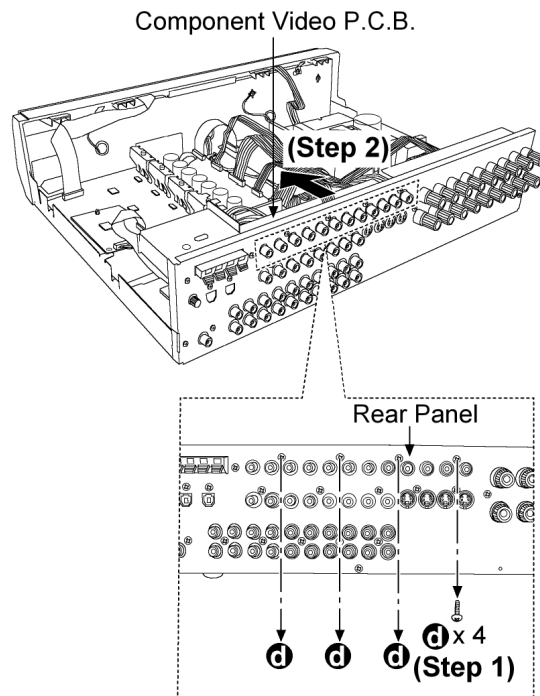
Step 2: Remove the tuner pack together with the Tuner Extent P.C.B. from the rear panel as arrow shown.

7.8. Disassembly and Checking of Component Video P.C.B.

· Follow the (Step 1) - (Step 4) of item 7.3.



Step 3: Detach the tuner pack from the Tuner Extent P.C.B. as arrow shown.

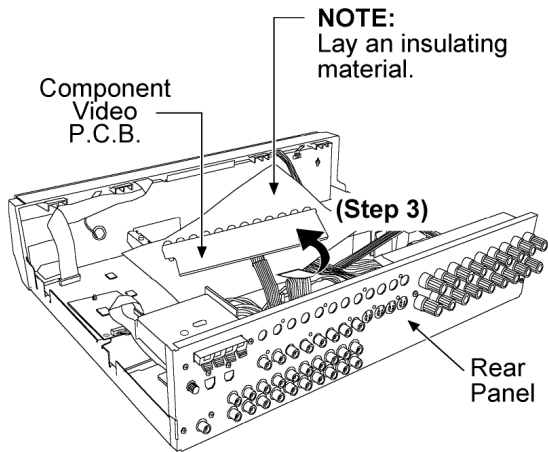


Step 1: Remove 4 screws.

Step 2: Remove the Component Video P.C.B. from rear panel as arrow shown.

7.7. Disassembly and Checking of Speaker P.C.B.

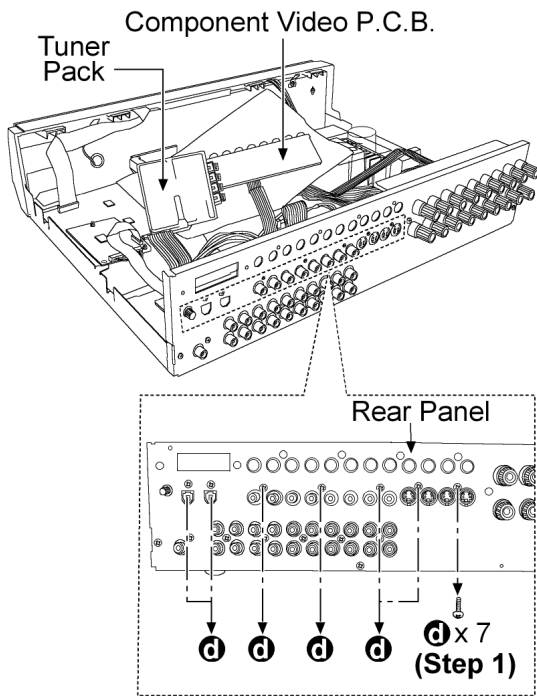
· Follow the (Step 1) - (Step 4) of item 7.3.



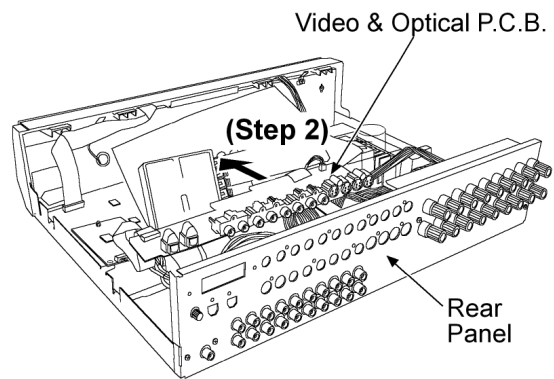
Step 3: Flip over the Component Video P.C.B. as arrow shown for checking

7.9. Disassembly and Checking of Video & Optical P.C.B.

- Follow the (Step 1) - (Step 4) of item 7.3.
- Follow the (Step 1) - (Step 2) of item 7.6.
- Follow the (Step 1) - (Step 3) of item 7.8.

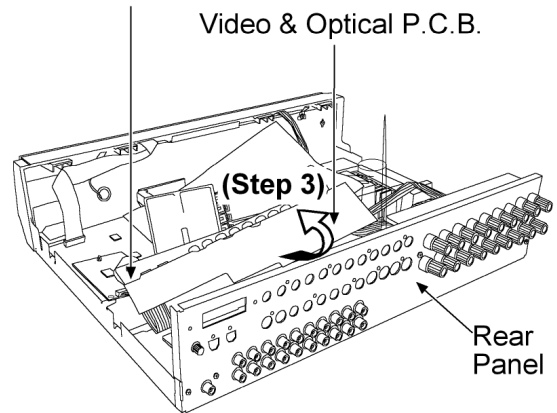


Step 1: Remove 7 screws.



Step 2: Remove the Video & Optical P.C.B. from rear panel as arrow shown.

NOTE:
Lay an insulating material.



Step 3: Flip over the Video & Optical P.C.B. as arrow shown for checking

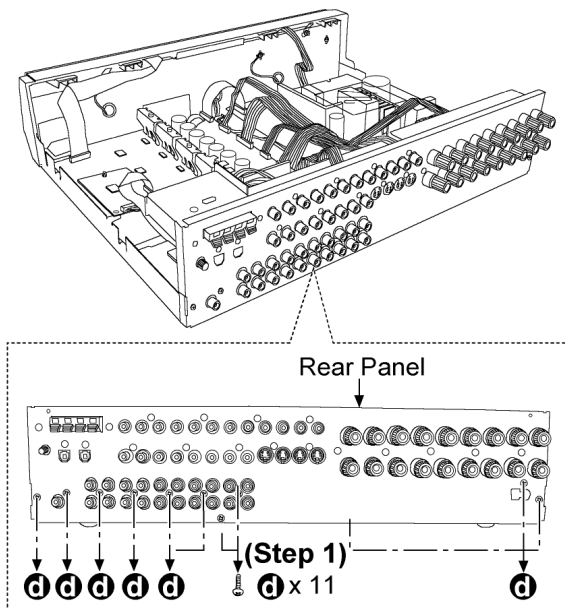
7.10. Disassembly of Rear Panel

- Follow the (Step 1) - (Step 4) of item 7.3.
- Follow the (Step 1) of item 7.6.
- Follow the (Step 1) of item 7.7.
- Follow the (Step 1) of item 7.8.
- Follow the (Step 1) of item 7.9.

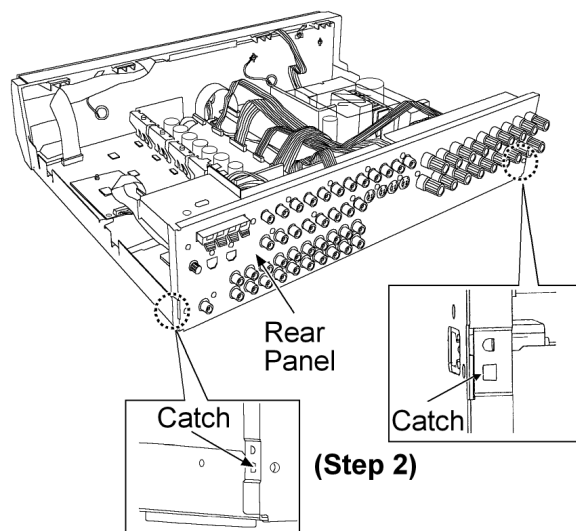
Step 3: Remove the rear panel as arrows shown.

7.11. Disassembly and Checking of Input P.C.B.

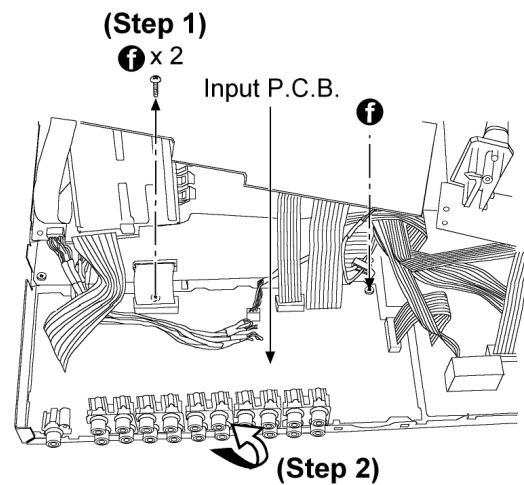
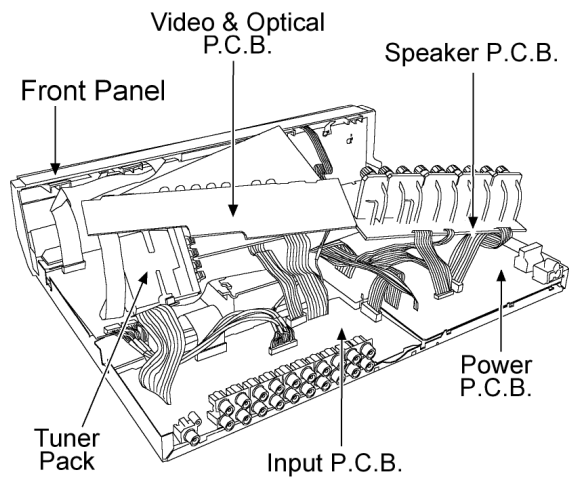
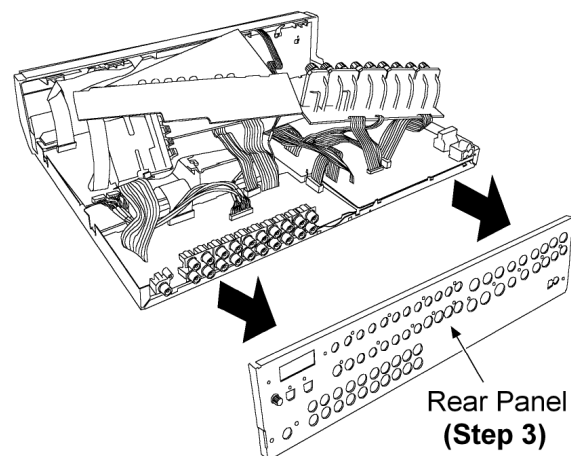
- Follow the (Step 1) - (Step 4) of item 7.3.
- Follow the (Step 1) of item 7.6.
- Follow the (Step 1) of item 7.7.
- Follow the (Step 1) of item 7.8.
- Follow the (Step 1) of item 7.9.
- Follow the (Step 1) - (Step 3) of item 7.10.



Step 1: Remove 11 screws.

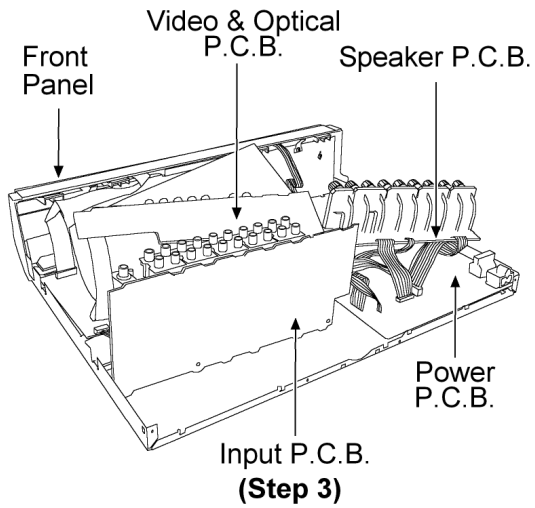


Step 2: Be careful of the both side catches when remove the rear panel.



Step 1: Remove 2 screws.

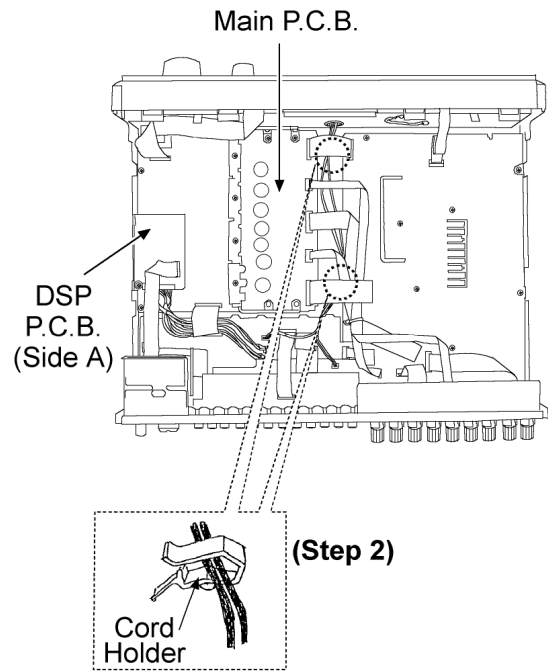
Step 2: Flip over the Input P.C.B. as arrow shown .



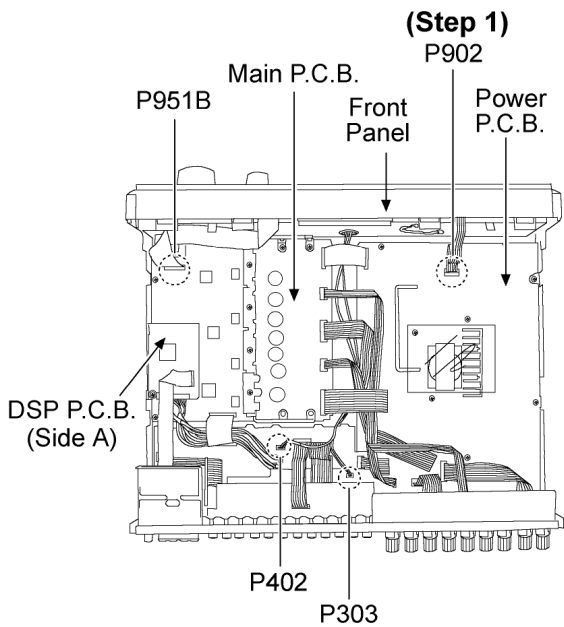
Step 3: Proceed to check the Input P.C.B.

7.12. Disassembly of Front Panel

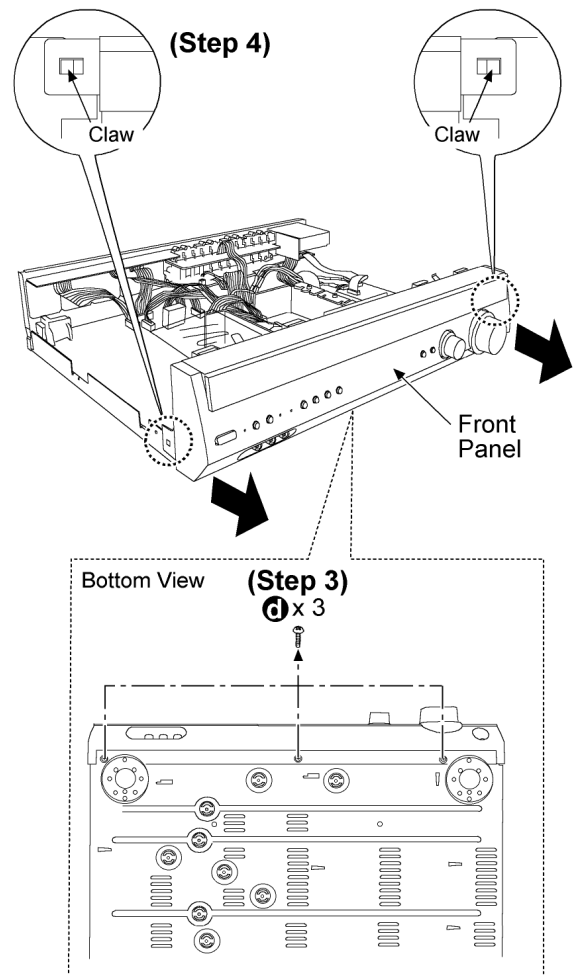
• Follow the (Step 1) - (Step 4) of item 7.3.



Step 2: Be careful when remove the wires from the cord holder.



Step 1: Disconnect all the connectors (P951B, P902, P402, P303).

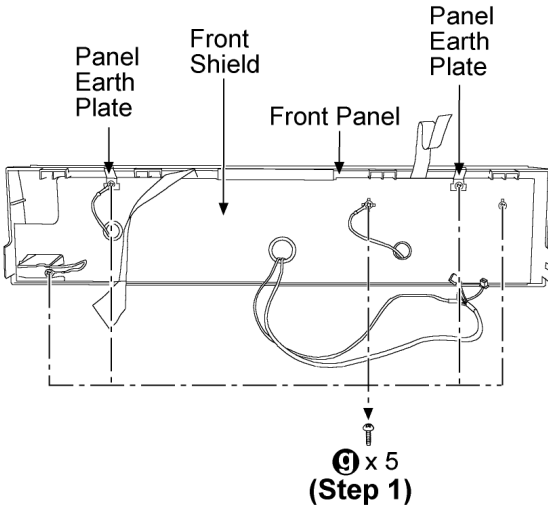


Step 3: Remove 3 screws.

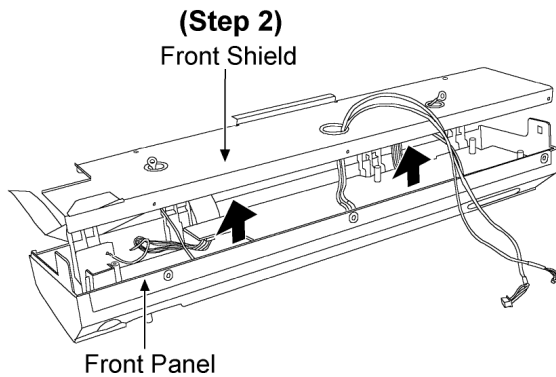
Step 4: Release the both claws and remove the front panel as arrows shown.

7.13. Disassembly and Checking of Panel P.C.B., Volume P.C.B. and Headphone P.C.B.

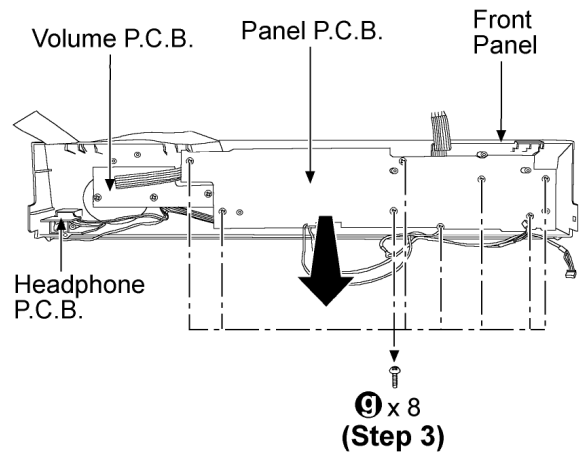
- Follow the (Step 1) - (Step 4) of item 7.3.
- Follow the (Step 1) - (Step 4) of item 7.12.



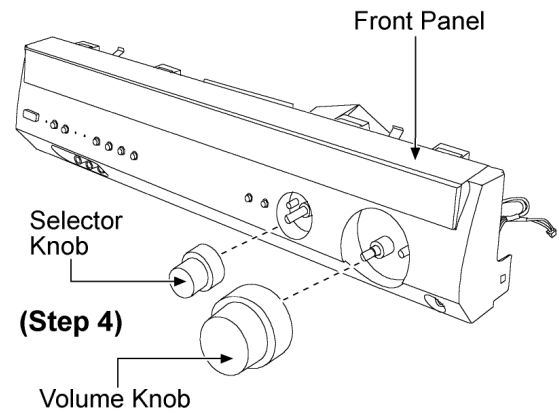
Step 1: Remove 5 screws.



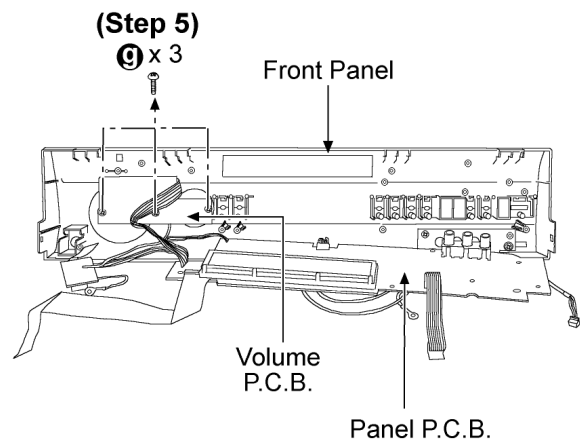
Step 2: Remove the front shield from the front panel as arrows shown



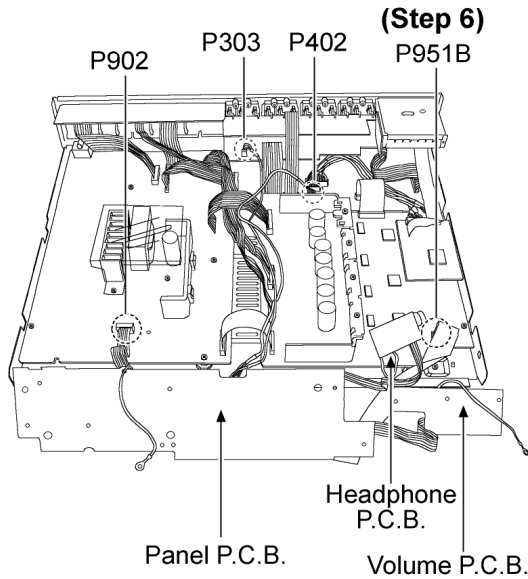
Step 3: Remove 8 screws then remove the Panel P.C.B. as arrow shown.



Step 4: Remove the Selector and Volume knobs.



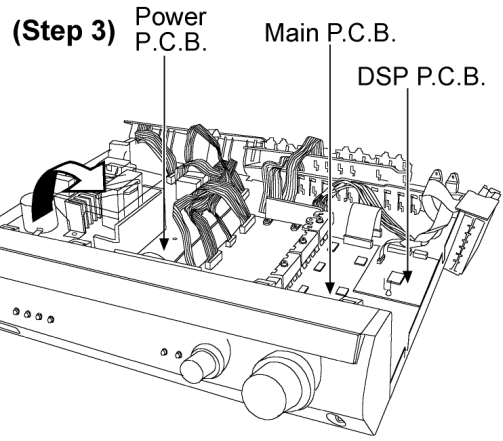
Step 5: Remove 3 screws then remove the Volume P.C.B.



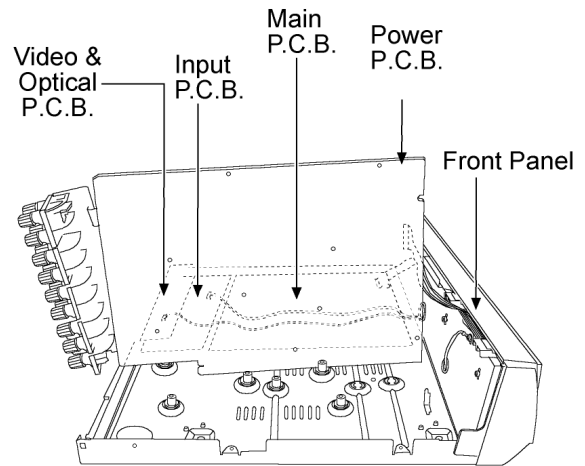
Step 6: Reconnect all the connectors and checking for Volume P.C.B., Panel P.C.B. and Headphone P.C.B.

7.14. Disassembly and Checking of Power P.C.B.

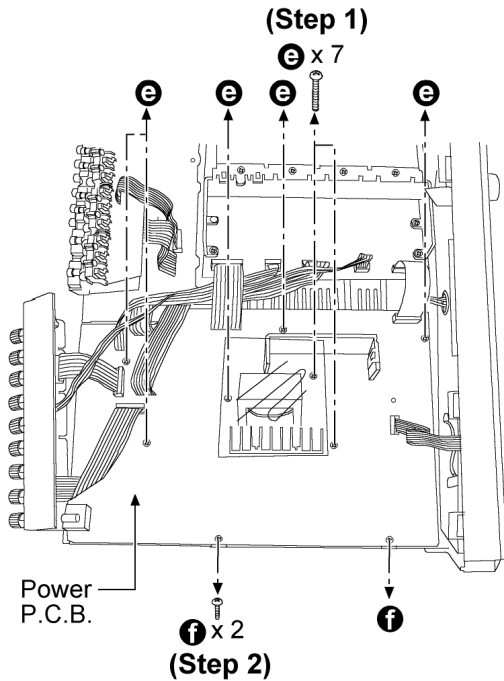
- Follow the (Step 1) - (Step 4) of item 7.3.
- Follow the (Step 1) of item 7.6.
- Follow the (Step 1) of item 7.7.
- Follow the (Step 1) of item 7.8.
- Follow the (Step 1) of item 7.9.
- Follow the (Step 1) - (Step 3) of item 7.10.



Step 3: Flip over the Power Supply P.C.B. as arrow shown.



Step 4: Checking for Power P.C.B.



Steps 1 and 2: Remove 9 screws altogether.

8 Self Diagnosis Display Function

This unit is equipped with the self diagnosis display function, which alarms faulty operation with error code. Use this function during servicing.

8.1. Automatically Displayed Error Codes

An error code automatically appears on the display (LCD) when faulty operation is detected. Refer to Fig. 8.1.



Fig. 8.1

8.2. Display Details

Refer to the following table.

LCD display	Symptom	Cause and Remedy
OVERLOAD	Speaker short, amplifier failure Humidity protection activated	Speaker short and failure in power amplifier, pre-amplifier circuits. Check for faulty parts and replace with new parts if necessary.
F70	Communication error between sub micro-processor and its peripheral LSI	Failure sub-micro processor and its peripherals LSI. Check for faulty parts and replace with new parts if necessary.
F76	When the power is turned on, the unit power automatically turns off; the power cannot be turned on.	Failure in the power circuit system of the unit. This may happen when the direct current electricity is supplied to speaker terminals. Check for the above and replace with new parts if necessary.

8.3. Returning to Normal Display

Press the POWER button on the unit to exit the function. The power is turned off.

8.4. Overload/Shutdown Detection internal Condition

It detects OVERLOAD, POWER MALFUNCTION with [THRM_DET], [SHORT_DET] and [DC_DET] input port. It detects the following condition depending on the input of the port as below table.

(H: DC \pm 5V / L: DC \pm 0V)

PROT			Detection of malfunction	Display and operation
SHORT_DET	THRM_DET	DC_DET		
H	L	H	Normal	----
L	L	H	Speaker Short, Malfunction of Amplifier	[OVERLOAD] / POWER OFF
L	H	H	Detection of THERMAL PROTECTION	
-	-	L	Detection of POWER MALFUNCTION	[_ _ _ F76 _ _ _] / POWER OFF

8.5. Overload/Thermal Detection Display

When overload is detected, automatic POWER OFF will occur. But if any key on the remote control other than the [POWER] key is pressed before that (including the [HELP] key), the scroll display will show [SWITCH_OFF_POWER]. Then, 1 second after display of message, [OVERLOAD] will be shown on the scroll display.

8.6. Activating Self Diagnosis Function (Servicing Mode)

This mode can be used during servicing.

1. Plug the AC adapter to the power source. Press and hold down the [MULTI CONTROL] button and the [SPEAKERS A] button, and then press the [POWER] button at the same time.
2. The message, [SERVICE] appears on the display for three seconds, and then disappears. Refer to Fig. 8.2.

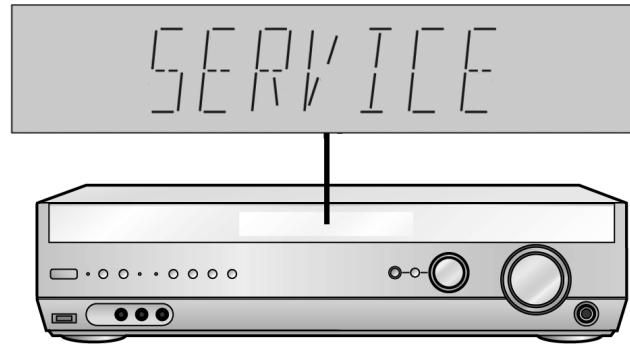


Fig. 8.2

3. When the [TUNING DOWN] button is pressed, the current program filing number (ex. "M45_****" for MA123_45) appears. The *** digit indicates the ROM checksum used for ROM collection, and if the unit is not loaded with ROM, "NO" appears.
When the TUNING UP button is pressed, the sub micro computer program filing number (ex. 523_****" for MA678_90) appears. The *** digit indicates the ROM checksum used for ROM collection, and if the unit is not loaded with ROM, "NO" appears.

8.7. Analog 6.1 CH Output Check Method

When the [SUBWOOFER] button on the remote controller, the function is switched to "Input Inspection Mode", which output analog input signals at L channel of VCR analog input to all channels.

8.8. Returning to Normal Display

Press the POWER button on the unit to exit the function. The power is turned off.

8.9. Activating Self Diagnosis Function (Doctor Mode)

This mode can be used during servicing.

1. Plug the AC adapter to the power source. Press and hold down the MULTI-SOURCE RE-MASTER button and the SPEAKERS A button, and then press the POWER button at the same time.
2. Initialize all the setting and set the frequency "99.7MHz" to Tuner.

The message, "_DOCTOR_" appears on the display for three seconds, and then disappears. Refer to Fig. 8.3.

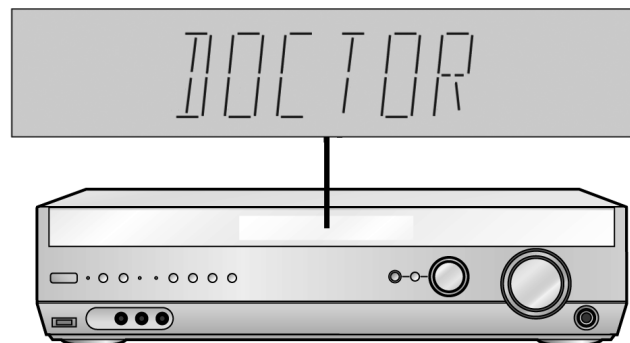


Fig. 8.3

3. Doctor mode function at some remote control codes as below table.

Remote Control	Test Mode Function and settings			
	Selector	Sound Mode	other settings	Vol/Tone
CH 1	TUNER	STEREO	Frequency : FM min	-48dB/0dB
CH 2	TUNER	STEREO	Frequency : FM max	-48dB/0dB
CH 3	TUNER	STEREO	FM 98.3MHz	-18dB/0dB
CH 4	TUNER	STEREO	Frequency : AM min	-48dB/0dB
CH 5	TUNER	STEREO	Frequency : AM max	-48dB/0dB
CH 8	If the input selector is TUNER, auto tuning function is started to upward on current frequency.			
CH 9	If the input selector is TUNER, auto tuning function is started to downward on current frequency.			
CH 0	All indicators of FL are displayed. All LED are off. Refer to Fig. 8.4. Note : After this setting, only 'POWER' button or 'Checker Command' code by the remote control can be entered.			
CH UP	Check Main µP software version.			

CH DOWN	Check Sub μ P software version.			
SUBWOOFER	VCR 1 (Analog)	-	All CH Output Mode	-18dB/0dB
MUTING	DVD 6CH	-	-	-18dB/0dB
PLIIX	CD	STEREO	Analog	-18dB/0dB
NEO:6	TV	STEREO	Analog	-18dB/0dB
RE-MASTER	DVD	STEREO	Analog	-18dB/0dB
LEVEL	DVR/DVD_REC	STEREO	Analog	-18dB/0dB
EFFECT	CD	STEREO	Digital (COAX 2)	-48dB/0dB
OFF	TV	STEREO	Digital (OPT 1)	-48dB/0dB
SFC AV/MOVIE	DVD	STEREO	Digital (COAX 1)	-48dB/0dB
SFC MUSIC	DVR/DVD_REC	STEREO	Digital (OPT 2)	-48dB/0dB
TEST	No change	SURROUND	Scan the test noise output channel with 500ms intervals	-18dB/0dB
-/L	CD	STEREO	Balance is set to leftmost	-18dB/0dB
+/R	CD	STEREO	Balance is set to rightmost	-18dB/0dB

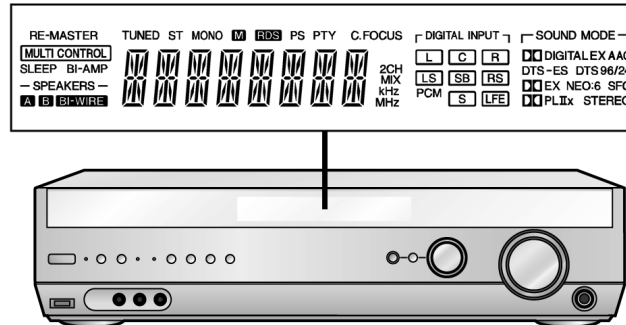


Fig. 8.4

9 Voltage Measurement and Waveform Chart

Note:

- Indicated voltage values are the standard values for the unit measured by the DC electronic circuit tester (high-impedance) with the chassis taken as standard.
- Therefore, there may exist some errors in the voltage values, depending on the internal impedance of the DC circuit tester.
- Circuit voltage and waveform described herein shall be regarded as reference information when probing defect point because it may differ from actual measuring value due to difference of Measuring instrument and its measuring condition and product itself.

9.1. Voltage Measurement

9.1.1. DSP P.C.B.

DSP P.C.B.																				
Ref No.	IC1001																			
MODE	1	2	3	4	5	6	7	8												
CD PLAY	0	2.5	2.5	0	2.5	2.6	5.1	5.1												
STANDBY	1.2	0.4	0.4	0	0.4	0.4	0.9	0.9												
Ref No.	IC1002																			
MODE	1	2	3	4	5															
CD PLAY	0	0.1	0	0.2	0.2															
STANDBY	0	0.2	0	0.1	0.1															
Ref No.	IC1003																			
MODE	1	2	3	4	5	6	7	8	9	10	11	12	13	14	15	16	17	18	19	20
CD PLAY	1.3	1.3	1.3	1.3	2.3	3.3	1.3	3.3	0	-	1.3	1.3	1.3	1.3	1.3	1.3	1.3	1.3	1.3	1.3
STANDBY	0	0	0	0	0	0	0	0	0	0	0	0	0	0	0	0	0	0	0	0
Ref No.	IC1003																			
MODE	21	22	23	24	25	26	27	28	29	30	31	32								
CD PLAY	0	0	0	0	0	0	0	0	0	0.8	1.3	0								
STANDBY	0.1	0.1	0.1	0.1	0.1	0.1	0.1	0.1	0.1	0	0	0								
Ref No.	IC1005																			
MODE	1	2	3	4	5	6	7	8												
CD PLAY	0.2	2.5	1.6	0	1.7	5.0	0	3.3												
STANDBY	0.1	0.4	0	0	0	0	0	0												
Ref No.	IC1006																			
MODE	1	2	3	4	5	6	7	8												
CD PLAY	2.5	1.6	1.6	0	1.6	3.3	3.3	3.3												
STANDBY	0.4	0	0	0	0	0	0	0												
Ref No.	IC1007																			
MODE	1	2	3	4	5	6	7	8	9	10	11	12	13	14	15	16	17	18	19	20
CD PLAY	0	0	0	1.2	1.2	1.2	0	0	0	3.3	0	0	0	0	1.2	0	0	1.6	1.6	0
STANDBY	0	0	0	0	0	0	0	0	0	0	0	0	0	0	0	0	0	0	0	0
Ref No.	IC1007																			
MODE	21	22	23	24	25	26	27	28	29	30	31	32	33	34	35	36	37	38	39	40
CD PLAY	0	1.2	1.2	0	0	0	1.2	1.2	1.2	1.6	1.6	1.6	3.3	1.7	0	1.2	1.6	1.7	1.2	0
STANDBY	0	0	0	0	0	0	0.1	0.1	0.1	0.1	0.1	0.1	0	1.4	0	0	1.4	1.4	0	0
Ref No.	IC1007																			
MODE	41	42	43	44	45	46	47	48	49	50	51	52	53	54	55	56	57	58	59	60
CD PLAY	0	0	1.2	-	3.3	0	0	0	0	1.2	1.2	0	3.3	3.3	4.3	4.3	0	0	1.2	3.3
STANDBY	0	0	0	0	0	1.2	1.1	0	0	0	0	1.4	1.4	0	1.4	1.4	1.4	0	0	0
Ref No.	IC1007																			
MODE	61	62	63	64	65	66	67	68	69	70	71	72	73	74	75	76	77	78	79	80
CD PLAY	0	0	1.2	1.2	1.3	1.3	1.3	2.3	0	1.2	1.2	1.2	-	1.2	1.2	1.2	0	0	1.2	1.2
STANDBY	0	0	0	0	0	0	0	0	0	0	0	0	0	0	0	0	0	0	0	0
Ref No.	IC1007																			
MODE	81	82	83	84	85	86	87	88	89	90	91	92	93	94	95	96	97	98	99	100
CD PLAY	1.3	1.2	1.2	1.3	3.3	0	0	1.2	1.2	0	0	1.3	0	0	1.2	0	0	0	0	3.3
STANDBY	0	0	0	0	0	0	0	0	0	0	0	0	0	0	0	0.1	0	0	0	0
Ref No.	IC1007																			
MODE	101	102	103	104	105	106	107	108	109	110	111	112	113	114	115	116	117	118	119	120
CD PLAY	0	0	0	0	0	0	1.2	1.2	0.8	1.3	2.3	0	0	0	0	0	0	0	1.2	1.2
STANDBY	0	0	0	0.1	0	0	0	0	0	0	0	0	0	0	0	0	0	0	0	0
Ref No.	IC1007																			
MODE	121	122	123	124	125	126	127	128	129	130	131	132	133	134	135	136	137	138	139	140
CD PLAY	3.3	3.3	0	0	0	3.3	1.2	1.2	0	0	3.3	0	0	3.3	3.3	3.3	1.2	1.2	0	0
STANDBY	0	0	0	0.1	0.1	0	0	0	0	0	0.1	0	0	0	0	0	0	0	0	0
Ref No.	IC1007																			
MODE	141	142	143	144																
CD PLAY	0	3.3	3.3	3.3																
STANDBY	0	0	0	0																

Ref No.	IC1008																			
MODE	1	2	3	4	5	6	7	8	9	10	11	12	13	14	15	16	17	18	19	20
CD PLAY	0	0	0	0	0	0	0	0	0	0	3.3	0	5.1	0	0	0	0	0	0	0
STANDBY	0	0	0	0	0	0	0	0	0	0	0	0	0.9	0	0	0	0	0	0	0
Ref No.	IC1008																			
MODE	21	22	23	24	25	26	27	28	29	30	31	32	33	34	35	36	37	38	39	40
CD PLAY	0	0	1.7	1.7	1.3	1.6	1.6	1.2	1.5	1.7	3.3	1.5	0	0	3.3	0	0	3.3	1.2	1.2
STANDBY	0	0	0	0	0	0	0	0	0	0	0	0	0	0	0	0	0	0	0	0
Ref No.	IC1008																			
MODE	41	42	43	44	45	46	47	48												
CD PLAY	0	1.6	0	1.6	0	1.6	0	1.6												
STANDBY	0	0	0	0	0	0	0	0												
Ref No.	IC1009																			
MODE	1	2	3	4	5	6	7	8	9	10	11	12	13	14	15	16	17	18	19	20
CD PLAY	2.5	0	2.6	2.6	2.6	3.3	0	3.3	0	3.3	0	0	0	3.3	1.2	1.6	1.6	1.7	3.3	0
STANDBY	0.1	0	0.2	0.2	0.2	0	0	0	1.3	1.3	0	0	0	0	0.1	0.1	0.1	0.1	0	0
Ref No.	IC1009																			
MODE	21	22	23	24	25	26	27	28												
CD PLAY	0	5.0	0	2.6	2.6	2.6	0	2.5												
STANDBY	0	0.1	0	0.1	0.1	0.1	0	0.1												
Ref No.	IC1010																			
MODE	1	2	3	4	5	6	7	8	9	10	11	12	13	14	15	16	17	18	19	20
CD PLAY	2.5	0	2.6	2.6	2.6	3.3	0	3.3	0	3.3	0	0	0	3.3	1.2	1.6	1.6	1.7	3.3	0
STANDBY	0.1	0	0.2	0.2	0.2	0	0	0	1.3	1.3	0	0	0	0	0.1	0.1	0.1	0.1	0	0
Ref No.	IC1010																			
MODE	21	22	23	24	25	26	27	28												
CD PLAY	0	5.0	0	2.6	2.6	2.6	0	2.5												
STANDBY	0	0.1	0	0.1	0.1	0.1	0	0.1												
Ref No.	IC1011																			
MODE	1	2	3	4	5	6	7	8	9	10	11	12	13	14	15	16	17	18	19	20
CD PLAY	2.5	0	2.6	2.6	2.6	3.3	0	3.3	0	3.3	0	0	0	3.3	1.2	1.6	1.6	1.7	3.3	0
STANDBY	0.1	0	0.2	0.2	0.2	0	0	0	1.3	1.3	0	0	0	0	0.1	0.1	0.1	0.1	0	0
Ref No.	IC1011																			
MODE	21	22	23	24	25	26	27	28												
CD PLAY	0	5.0	0	2.6	2.6	2.6	0	2.5												
STANDBY	0	0.1	0	0.1	0.1	0.1	0	0.1												
Ref No.	QR1001					QR1002					QR1003									
MODE	E	C	B			E	C	B		E	C	B								
CD PLAY	5.0	0.3	5.0			0	4.6	0		0	2.9	0								
STANDBY	0.9	0	0.9			0	0.1	0		0	0.1	0								

9.1.2. Main P.C.B.

MAIN P.C.B.																				
Ref No.	IC6001																			
MODE	1	2	3	4	5															
CD PLAY	15.0	15.0	0	12.0	1.0															
STANDBY	0.1	0.1	0	0	0															
Ref No.	IC6051																			
MODE	1	2	3	4	5	6	7	8												
CD PLAY	0	0	0	-15.1	0	0	0	15.2												
STANDBY	0.1	0.1	0	0.1	0	0.1	0.1	0.1												
Ref No.	IC6082																			
MODE	1	2	3	4	5	6	7	8												
CD PLAY	0	0	0	-15.1	0	0	0	15.2												
STANDBY	0	0	0	0.1	0	0	0	0.1												
Ref No.	IC6101																			
MODE	1	2	3	4	5	6	7	8	9	10	11	12	13	14	15	16	17	18	19	20
CD PLAY	0	0	3.3	0	0	0	0	1.2	1.8	1.6	1.6	3.3	1.6	1.6	1.6	1.6	3.3	1.6	1.6	3.4
STANDBY	0	0	0	0	0	0	0	0	0	0	0	0	0	0	0	0	0	0	0	0
Ref No.	IC6101																			
MODE	21	22	23	24	25	26	27	28	29	30	31	32	33	34	35	36	37	38	39	40
CD PLAY	2.3	3.3	3.3	0	0	0	1.2	3.3	0	12.0	10.6	10.6	10.1	5.3	0	5.1	10.6	15.4	10.1	5.3
STANDBY	0	0	0	0	0	0	0	0	0	0	0	0	0.4	0	0	0.4	0	0	0.4	0
Ref No.	IC6101																			
MODE	41	42	43	44	45	46	47	48	49	50	51	52	53	54	55	56				
CD PLAY	0	5.1	10.6	15.4	10.1	12.0	0	5.1	10.6	15.4	10.1	5.3	0	5.1	12.0	0				
STANDBY	0	0.4	0	0	0.3	0	0	0.3	0	0	0.3	0	0	0.4	0	0				
Ref No.	IC6201																			
MODE	1	2	3	4	5	6	7	8	9	10	11	12	13	14	15	16	17	18	19	20
CD PLAY	0	0	3.3	0	0	0	0	1.2	1.8	1.6	1.6	3.3	1.6	1.6	1.6	1.6	3.3	1.6	1.6	3.4
STANDBY	0	0	0	0	0	0	0	0	0	0	0	0	0	0	0	0	0	0	0	0
Ref No.	IC6201																			
MODE	21	22	23	24	25	26	27	28	29	30	31	32	33	34	35	36	37	38	39	40
CD PLAY	2.3	3.3	3.3	0	0	0	1.2	2.3	0	12.0	10.6	10.6	10.1	5.3	0	5.1	10.6	15.4	10.1	5.3
STANDBY	0	0	0	0	0	0	0	0	0	0	0	0	0.4	0	0	0.4	0	0	0.4	0
Ref No.	IC6201																			
MODE	41	42	43	44	45	46	47	48	49	50	51	52	53	54	55	56				
CD PLAY	0	5.1	10.6	15.4	10.1	12.0	0	5.1	10.6	15.4	10.1	5.3	0	5.1	12.0	0				
STANDBY	0	0.4	0	0	0.3	0	0	0.3	0	0	0.3	0	0	0.4	0	0				
Ref No.	IC6301																			
MODE	1	2	3	4	5	6	7	8	9	10	11	12	13	14	15	16	17	18	19	20
CD PLAY	0	0	3.3	0	0	0	0	1.2	1.8	1.6	1.6	3.3	1.6	1.6	1.6	1.6	3.3	1.6	1.6	3.4
STANDBY	0	0	0	0	0	0	0	0	0	0	0	0	0	0	0	0	0	0	0	0
Ref No.	IC6301																			
MODE	21	22	23	24	25	26	27	28	29	30	31	32	33	34	35	36	37	38	39	40
CD PLAY	2.3	3.3	3.3	0	0	0	1.2	3.3	0	12.0	10.6	10.6	10.1	5.3	0	5.1	10.6	15.4	10.1	5.3
STANDBY	0	0	0	0	0	0	0	0	0	0	0	0	0.4	0	0	0.4	0	0	0.4	0
Ref No.	IC6301																			
MODE	41	42	43	44	45	46	47	48	49	50	51	52	53	54	55	56				
CD PLAY	0	5.1	10.6	15.4	10.1	12.0	0	5.1	10.6	15.4	10.1	5.3	0	5.1	12.0	0				
STANDBY	0	0.4	0	0	0.3	0	0	0.3	0	0	0.3	0	0	0.4	0	0				
Ref No.	IC6401																			
MODE	1	2	3	4	5	6	7	8	9	10	11	12	13	14	15	16	17	18	19	20
CD PLAY	0	0	3.3	0	0	0	0	1.2	1.8	1.6	1.6	3.3	1.6	1.6	1.6	1.6	3.3	1.6	1.6	3.4
STANDBY	0	0	0	0	0	0	0	0	0	0	0	0	0	0	0	0	0	0	0	0
Ref No.	IC6401																			
MODE	21	22	23	24	25	26	27	28	29	30	31	32	33	34	35	36	37	38	39	40
CD PLAY	2.3	3.3	3.3	0	0	0	1.2	3.3	0	12.0	10.6	10.6	10.1	5.3	0	5.1	10.6	15.4	10.1	5.3
STANDBY	0	0	0	0	0	0	0	0	0	0	0	0	0.4	0	0	0.4	0	0	0.4	0
Ref No.	IC6401																			
MODE	41	42	43	44	45	46	47	48	49	50	51	52	53	54	55	56				
CD PLAY	0	5.1	10.6	15.4	10.1	12.0	0	5.1	10.6	15.4	10.1	5.3	0	5.1	12.0	0				
STANDBY	0	0.4	0	0	0.3	0	0	0.3	0	0	0.3	0	0	0.4	0	0				
Ref No.	IC6601																			
MODE	1	2	3	4	5	6	7	8	9	10	11	12	13	14	15	16	17	18	19	20
CD PLAY	0	0	1.8	3.3	2.2	0	0	0	0	0.8	0	3.1	3.3	3.1	3.1	3.1	3.1	0	0	0
STANDBY	0	0	0.4	0	0	0	0	0	0	0	0	0	0	0	0	0	0	0	0	0
Ref No.	IC6601																			
MODE	21	22	23	24	25	26	27	28	29	30	31	32	33	34	35	36	37	38	39	40
CD PLAY	0	0	0	0	3.0	1.2	0	1.2	0	1.7	1.6	3.1	0	0	0	0	0	0	0	0
STANDBY	0	0	0	0	0	0	0	0	0	0	0	0	0	0	0	0	0	0	0	0
Ref No.	IC6601																			
MODE	41	42	43	44	45	46	47	48	49	50	51	52	53	54	55	56	57	58	59	60
CD PLAY	1.7	1.7	3.3	1.7	1.7	1.7	1.7	3.3	1.6	1.6	1.6	1.6	3.3	1.6	1.6	0	3.3	0	3.3	0
STANDBY	0	0	0	0	0	0	0	0	0	0	0	0	0	0	0	0	0	0	0	0
Ref No.	IC6601																			
MODE	61	62	63	64	65	66	67	68	69	70	71	72	73	74	75	76	77	78	79	80
CD PLAY	1.6	1.6	3.3	1.6	1.6	1.6	1.6	3.3	1.6	1.6	1.6	1.7	3.3	1.6	1.6	0	3.3	0	3.3	0
STANDBY	0	0	0	0	0	0	0	0	0	0	0	0	0	0	0	0	0	0	0	0
Ref No.	IC6602																			
MODE	1	2	3	4	5	6	7	8	9	10	11	12	13	14						
CD PLAY	3.3	1.6	1.7	3.3	1.6	1.7	0	1.7	1.7	3.3	1.7	3.3	3.3	3.3						
STANDBY	0.1	0.1	0	0.1	0.1	0.1	0	0	0.1	0.1	0	0.1	0.1	0						
Ref No.	IC6603																			
MODE	1	2	3	4	5															
CD PLAY	0	0	0	5.1	5.1															
STANDBY	0	0	0	0.9	0.9															

Ref No.	IC6671																			
MODE	1	2	3	4	5	6	7	8	9	10	11	12	13	14	15	16	17	18	19	20
CD PLAY	3.3	1.2	0	1.2	-	1.7	1.6	1.6	0	0	0	1.6	1.7	1.8	-	1.2	0	1.2	0	3.3
STANDBY	0	0	0	0	0	1.1	1.1	1.1	0	0	2.7	0	0	2.9	0	0	0	0	0	0
Ref No.	IC6701																			
MODE	1	2	3	4	5	6	7	8	9	10	11	12	13	14	15	16	17	18	19	20
CD PLAY	0	0	1.8	3.3	2.2	0	0	0	0	0.8	0	3.1	3.3	3.1	3.1	3.1	3.1	3.1	0	0
STANDBY	0	0	0.4	0	0	0	0	0	0	0	0	0	0	0	0	0	0	0	0	0
Ref No.	IC6701																			
MODE	21	22	23	24	25	26	27	28	29	30	31	32	33	34	35	36	37	38	39	40
CD PLAY	0	0	0	0	3.0	-	-	1.2	0	1.7	1.6	3.1	0	0	0	0	0	0	0	0
STANDBY	0	0	0	0	0	0	0	0	0	0	0	0	0	0	0	0	0	0	0	0
Ref No.	IC6701																			
MODE	41	42	43	44	45	46	47	48	49	50	51	52	53	54	55	56	57	58	59	60
CD PLAY	1.7	1.7	3.3	1.7	1.7	1.7	1.7	3.3	1.6	1.6	1.6	1.6	3.3	1.6	1.6	0	3.3	0	3.2	0
STANDBY	0	0	0	0	0	0	0	0	0	0	0	0	0	0	0	0	0	0	0	0
Ref No.	IC6701																			
MODE	61	62	63	64	65	66	67	68	69	70	71	72	73	74	75	76	77	78	79	80
CD PLAY	1.6	1.6	0	1.6	1.6	1.6	1.6	3.3	1.6	1.6	1.6	1.7	0	1.6	1.6	0	0	3.3	0	3.3
STANDBY	0	0	0	0	0	0	0	0	0	0	0	0	0	0	0	0	0	0	0	0
Ref No.	IC6720																			
MODE	1	2	3	4	5	6	7	8	9	10	11	12	13	14						
CD PLAY	4.1	4.1	3.3	4.1	3.3	3.3	0	1.7	1.6	3.3	1.7	1.6	3.3	3.3						
STANDBY	0	0.1	0	0	0	0	0	0	0.1	0.1	0	0	0	0						
Ref No.	IC6801																			
MODE	1	2	3	4	5	6	7	8	9	10	11	12	13	14	15	16	17	18	19	20
CD PLAY	0	5.1	0	0	0	4.9	0	4.9	5.1	0	0	0	0	0	0	4.8	5.0	0	4.8	4.9
STANDBY	0	0.6	0	0	0	4.9	0	0	0	0	0	0	0	0	0	0	5.0	0	4.9	4.9
Ref No.	IC6801																			
MODE	21	22	23	24	25	26	27	28	29	30	31	32	33	34	35	36	37	38	39	40
CD PLAY	4.8	2.3	2.3	0	4.9	0	4.9	4.8	0	0	0	4.8	0	4.8	4.9	0	4.8	0	0	0
STANDBY	0	2.3	2.3	0	4.9	0	4.9	0	0	0	0	0	0	0	0	0	0	0	0	0
Ref No.	IC6801																			
MODE	41	42	43	44	45	46	47	48	49	50	51	52	53	54	55	56	57	58	59	60
CD PLAY	4.9	4.9	4.9	4.9	0	0	0	0	0	0	0	4.9	5.2	2.5	4.9	4.9	4.9	4.9	0	0
STANDBY	0	4.9	4.9	1.0	0	0	0	0	0	0	0	0	0	0	1.6	4.9	4.9	0	0	0
Ref No.	IC6801																			
MODE	61	62	63	64																
CD PLAY	4.9	4.9	4.9	4.9																
STANDBY	4.9	4.9	4.9	4.9																
Ref No.	IC6802																			
MODE	1	2	3	4	5	6	7	8												
CD PLAY	0	4.9	0	0	0	0	0	0												
STANDBY	0	4.9	0	0	0	0	0	0												
Ref No.	IC6901																			
MODE	1	2	3	4	5	6	7	8	9	10	11	12	13	14	15	16	17	18	19	20
CD PLAY	0	0	0	0	0	0	0	0	0	0	0	3.3	1.6	0	1.5	3.3	3.3	3.3	3.3	3.3
STANDBY	0	0	0	0	0	0	0	0	0	0	0	0	0	0	0	0	0	0	0	0
Ref No.	IC6901																			
MODE	21	22	23	24	25	26	27	28	29	30	31	32	33	34	35	36	37	38	39	40
CD PLAY	3.3	3.3	3.3	3.3	0	0	3.3	3.3	3.0	3.1	0	3.3	0	0.3	0	0	3.3	3.3	0	3.3
STANDBY	0	0	0	0	0	0	0	0	0	0	0	0	0	0	0	0	0	0	0	0
Ref No.	IC6901																			
MODE	41	42	43	44	45	46	47	48	49	50	51	52	53	54	55	56	57	58	59	60
CD PLAY	0	0	0	3.3	3.3	3.3	0	0	0	0	0	0	0	0	0	0	0	0	0	0
STANDBY	0	0	0	0	0	0	0	0	0	0	0	0	0	0	0	0	0	0	0	0
Ref No.	IC6901																			
MODE	61	62	63	64	65	66	67	68	69	70	71	72	73	74	75	76	77	78	79	80
CD PLAY	0	3.3	0	0	0	0	0	3.3	0	0	0	0	0	0	0	0	0	0	0	0
STANDBY	0	0	0	0	0	0	0	0	0	0	0	0	0	0	0	0	0	0	0	0
Ref No.	IC6901																			
MODE	81	82	83	84	85	86	87	88	89	90	91	92	93	94	95	96	97	98	99	100
CD PLAY	0	0	0	0	0	0	0	0	0	0	0	0	0	0	0.6	0	0	3.3	3.3	0
STANDBY	0	0	0	0	0	0	0	0	0	0	0	0	0	0	0	0	0	0	0	0
Ref No.	IC6902																			
MODE	1	2	3	4	5	6	7	8												
CD PLAY	0	0	3.3	3.3	3.3	3.3	0	3.3												
STANDBY	0.1	0.1	0	0	0	0	0	0												
Ref No.	IC6903																			
MODE	1	2	3	4	5	6	7	8	9	10	11	12	13	14						
CD PLAY	3.3	3.3	5.1	3.3	3.3	5.1	0	0	0	5.1	0	0	5.1	5.1						
STANDBY	0.1	0.1	0	0.1	0	0	0	0	0.1	0.9	0	0.1	0.9	0.9						
Ref No.	IC6904																			
MODE	1	2	3	4	5	6	7	8	9	10	11	12	13	14						
CD PLAY	3.3	3.3	3.3	3.3	0	0	0	3.3	3.3	3.3	3.3	4.9	3.3	3.3						
STANDBY	0	0	0	0	0	0	0	0	0	0	0	0	0	0						
Ref No.	IC6971																			
MODE	1	2	3	4	5															
CD PLAY	3.3	5.1	0	1.2	1.0															
STANDBY	0	0.9	0	0	0															
Ref No.	IC6972																			
MODE	1	2	3	4	5															
CD PLAY	5.1	5.1	0	3.3	1.0															
STANDBY	0.9	0.9	0	0	0															

Ref No.	Q6001			Q6002			Q6003			Q6004			Q6148					
MODE	E	C	B	E	C	B	E	C	B	E	C	B	E	C	B			
CD PLAY	1.7	1.5	1.7	1.7	1.5	1.7	1.7	1.5	1.7	1.7	1.5	1.7	0	4.9	0			
STANDBY	0	0	0	0	0	0	0	0	0	0	0	0	0	4.9	0			
Ref No.	Q6005						Q6006						Q6081					
MODE	1	2	3	4	5	6	1	2	3	4	5	6	1	2	3	4	5	6
CD PLAY	0	-6.1	0	0	-6.1	0	0	-6.1	0	0	-6.1	0	0	-6.1	0	0	-6.1	0
STANDBY	0	0	0	0	0	0	0	0	0	0	0	0	0	0	0	0	0	0
Ref No.	Q6091			Q6092			Q6101					Q6102						
MODE	E	C	B	E	C	B	1	2	3	4	5	1	2	3	4	5		
CD PLAY	1.7	1.5	1.7	1.7	1.5	1.7	0	5.1	5.3	10.1	10.6	0	5.1	5.3	10.1	10.6		
STANDBY	0	0	0	0	0	0	0	0.4	0	0.4	0	0	0.4	0	0.4	0		
Ref No.	QR6101			QR6102			Q6151					Q6152						
MODE	E	C	B	E	C	B	1	2	3	4	5	1	2	3	4	5		
CD PLAY	5.3	10.5	5.2	5.3	10.5	5.2	0	5.1	5.3	10.1	10.6	0	5.1	5.3	10.1	10.6		
STANDBY	0	0	0	0	0	0	0	0.4	0	0.4	0	0	0.4	0	0.4	0		
Ref No.	QR6151			QR6152			Q6201					Q6202						
MODE	E	C	B	E	C	B	1	2	3	4	5	1	2	3	4	5		
CD PLAY	5.3	10.5	5.2	5.3	10.5	5.2	0	5.1	5.3	10.1	10.6	0	5.1	5.3	10.1	10.6		
STANDBY	0	0	0	0	0	0	0	0.4	0	0.4	0	0	0.4	0	0.4	0		
Ref No.	QR6201			QR6202			Q6251					Q6252						
MODE	E	C	B	E	C	B	1	2	3	4	5	1	2	3	4	5		
CD PLAY	5.3	10.5	5.2	5.3	10.5	5.2	0	5.1	5.3	10.1	10.6	0	5.1	5.3	10.1	10.6		
STANDBY	0	0	0	0	0	0	0	0.4	0	0.4	0	0	0.4	0	0.4	0		
Ref No.	QR6251			QR6252			Q6301					Q6302						
MODE	E	C	B	E	C	B	1	2	3	4	5	1	2	3	4	5		
CD PLAY	5.3	10.5	5.2	5.3	10.5	5.2	0	5.1	5.3	10.1	10.6	0	5.1	5.3	10.1	10.6		
STANDBY	0	0	0	0	0	0	0	0.4	0	0.4	0	0	0.4	0	0.4	0		
Ref No.	QR6301			QR6302			Q6351					Q6352						
MODE	E	C	B	E	C	B	1	2	3	4	5	1	2	3	4	5		
CD PLAY	5.3	10.5	5.2	5.3	10.5	5.2	0	5.1	5.3	10.1	10.6	0	5.1	5.3	10.1	10.6		
STANDBY	0	0	0	0	0	0	0	0.4	0	0.4	0	0	0.4	0	0.4	0		
Ref No.	QR6351			QR6352			Q6451					Q6452						
MODE	E	C	B	E	C	B	1	2	3	4	5	1	2	3	4	5		
CD PLAY	5.3	10.5	5.2	5.3	10.5	5.2	0	5.1	5.3	10.1	10.6	0	5.1	5.3	10.1	10.6		
STANDBY	0	0	0	0	0	0	0	0.4	0	0.4	0	0	0.4	0	0.4	0		
Ref No.	QR6451			QR6452			QR6801			Q6802			QR6803					
MODE	E	C	B	E	C	B	E	C	B	E	C	B	E	C	B			
CD PLAY	5.3	10.5	5.2	5.3	10.5	5.2	0	4.9	0	4.9	4.9	4.2	0	0	2.4			
STANDBY	0	0	0	0	0	0	0	4.9	0	4.9	4.9	4.2	0	0	0			
Ref No.	QR6804			QR6805			QR6806			Q6807			Q6808					
MODE	E	C	B	E	C	B	E	C	B	E	C	B	E	C	B			
CD PLAY	3.3	0	3.3	10.6	0	10.5	0	4.9	0	0	0	0.6	0	3.4	0			
STANDBY	0	0	0	0	0	0	0	1.6	0	0	0	0	0	1.3	0			
Ref No.	Q6809			Q6810			Q6811			QR6851			QR6852					
MODE	E	C	B	E	C	B	E	C	B	E	C	B	E	C	B			
CD PLAY	0	0	0.6	0	4.9	0	0	0.6	0	5.7	0	5.3	0	-6.1	0			
STANDBY	0	0	0	0	1.6	0	0	0	0	5.7	0	5.3	0	0	0			
Ref No.	QR6861			QR6862			Q6871											
MODE	E	C	B	E	C	B	E	C	B									
CD PLAY	5.7	0	5.3	0	-6.1	0	4.1	5.2	5.1									
STANDBY	5.7	0	5.3	0	0	0	0	5.1	0.9									

9.1.3. Input P.C.B.

INPUT P.C.B.																								
Ref No.	IC402																							
MODE	1	2	3	4	5	6	7	8	9	10	11	12	13	14	15	16	17	18	19	20				
CD PLAY	-14.5	0.1	0	0	0	0.1	0	0	0.1	0	0	0.1	0	0	0	0	0	0	0.1	0				
STANDBY	0.1	-0.2	0.1	0.1	0.1	0	0.2	0.2	0	0	0.2	0	0	0	0	0	0	0	0	0.2				
Ref No.	IC402																							
MODE	21	22	23	24	25	26	27	28	29	30														
CD PLAY	0	0.1	0	0	0.1	0	0	0	0.1	15.2														
STANDBY	0.2	0	0.2	0.2	0	0	0.2	0.2	0.2	0.1														
Ref No.	IC501																							
MODE	1	2	3	4	5	6	7	8																
CD PLAY	-12.6	-12.6	0	-14.5	0	-12.6	-12.6	15.2																
STANDBY	0.1	0.1	0	0.1	0	0	0	0.1																
Ref No.	IC502																							
MODE	1	2	3	4	5	6	7	8																
CD PLAY	2.5	2.5	2.5	0	2.5	2.5	-	5.0																
STANDBY	0.2	0.2	0	0	0	0.3	0.3	0.1																
Ref No.	IC503																							
MODE	1	2	3	4	5	6	7	8																
CD PLAY	2.5	2.5	2.5	0	2.5	2.5	2.5	5.0																
STANDBY	0.2	0.2	0	0	0	0.3	0.3	0.1																
Ref No.	IC504																							
MODE	1	2	3	4	5	6	7	8																
CD PLAY	0	0	0	-14.5	0	0	0	15.0																
STANDBY	0	0	0	0.1	0	0	0	0.1																
Ref No.	IC505																							
MODE	1	2	3	4	5	6	7	8																
CD PLAY	2.5	2.5	2.5	0	2.5	2.5	2.5	5.0																
STANDBY	0.2	0.2	0	0	0	0.3	0.3	0.1																
Ref No.	IC506																							
MODE	1	2	3	4	5	6	7	8																
CD PLAY	2.5	2.5	2.5	0	2.5	2.5	2.5	5.0																
STANDBY	0.2	0.2	0	0	0	0.3	0.3	0.1																
Ref No.	IC507																							
MODE	1	2	3	4	5	6	7	8																
CD PLAY	0	0	0	-14.5	0	0	0	15.0																
STANDBY	0	0	0	0.1	0	0	0	0.1																
Ref No.	IC508																							
MODE	1	2	3	4	5	6	7	8																
CD PLAY	2.5	2.5	2.5	0	2.5	2.5	2.5	5.0																
STANDBY	0.3	0.3	0	0	0	0.3	0.3	0.1																
Ref No.	IC509																							
MODE	1	2	3	4	5	6	7	8																
CD PLAY	2.5	2.5	2.5	0	2.5	2.5	2.5	5.0																
STANDBY	0.3	0.3	0	0	0	0.3	0.3	0.1																
Ref No.	Q101			Q102			Q401			Q402			Q403											
MODE	E	C	B	E	C	B	S	D	G	S	D	G	S	D	G	S	D	G	S	D	G			
CD PLAY	14.8	15.2	15.2	7.2	10.2	7.8	0.3	-0.4	0.3	0.3	-0.4	0.2	0.2	-0.1	0.2	0.2	-0.1	0.2	0.2	-0.1	0.2			
STANDBY	0	0.1	0.1	0.7	0.1	0.1	0	-0.4	0	0	-0.5	0	0	-0.1	0	0	-0.1	0	0	-0.1	0			
Ref No.	QR401			QR403			Q404			Q405			Q406											
MODE	E	C	B	E	C	B	E	C	B	E	C	B	E	C	B	E	C	B	E	C	B			
CD PLAY	4.7	4.7	0	4.7	4.7	0	0.2	-0.1	0.2	5.0	10.9	5.6	-5.0	-11.7	-5.7									
STANDBY	0	0.1	0	0	0.1	0	0	-0.1	0	0.1	0.1	0.1	0.1	0.1	0.1									
Ref No.	QR502			QR503			Q505			Q506														
MODE	E	C	B	E	C	B	E	C	B	E	C	B	E	C	B									
CD PLAY	5.2	0	4.9	0	-5.7	0	0	15.0	0	0	5.1	0												
STANDBY	0.9	0	0	0	0	0	0	0.1	0	0	0.6	0.1												
Ref No.	Q501						Q502						Q503											
MODE	1	2	3	4	5	6	1	2	3	4	5	6	1	2	3	4	5	6						
CD PLAY	0	-6.3	-7.0	0	-6.3	-7.0	0	-6.3	0	0	-6.3	0	0	-6.3	0	0	-6.3	0						
STANDBY	0	0	0	0	0	0	0	0	0	0	0	0	0	0	0	0	0	0						

9.1.4. Panel P.C.B.

PANEL P.C.B.																					
Ref No.	IC901																				
MODE	1	2	3	4	5	6	7	8	9	10	11	12	13	14	15	16	17	18	19	20	
CD PLAY	-27.8	-27.8	4.9	0	2.2	2.2	5.2	5.2	0	0	-30.5	5.0	-30.5	-30.5	-30.5	5.1	-30.5	-27.5	-24.7	-24.7	
STANDBY	0.1	0.1	0	0	0.4	0.4	0.9	0.1	0	0	0.1	0.1	0.1	0.1	0.1	0.1	0.1	0.1	0.1	0.1	
Ref No.	IC901																				
MODE	21	22	23	24	25	26	27	28	29	30	31	32	33	34	35	36	37	38	39	40	
CD PLAY	-30.5	-27.5	-30.5	-24.7	-27.5	-27.5	-27.5	-30.5	-24.7	-30.5	-24.7	-27.5	-27.5	-27.5	-27.5	-27.5	-27.5	-27.5	-27.5	-27.5	
STANDBY	0.1	0.1	0.1	0.1	0.1	0.1	0.1	0.1	0.1	0.1	0.1	0.1	0.1	0.1	0.1	0.1	0.1	0.1	0.1	0.1	
Ref No.	QR901			QR902			QR903			QR904			QR905								
MODE	E	C	B	E	C	B	E	C	B	E	C	B	E	C	B	E	C	B	E	C	B
CD PLAY	5.2	-27.3	2.3	-30.7	2.3	-30.4	5.2	-27.7	2.3	-30.7	2.3	-30.4	5.2	-27.3	2.3						
STANDBY	0.9	0.1	0.9	0.1	0.9	0.1	0.9	0.1	0.9	0.1	0.9	0.1	0.9	0.1	0.9						
Ref No.	QR906			QR907			QR909			QR911											
MODE	E	C	B	E	C	B	E	C	B	E	C	B	E	C	B						
CD PLAY	-30.7	2.3	-30.4	0	0	4.4	0	0.1	4.4	0	4.1	0									
STANDBY	0.1	0.9	0.1	0	1.8	0	0	0.8	0	0	0.7	0									

9.1.5. Power P.C.B.

POWER P.C.B.																
Ref No.	IC701															
MODE	1	2	3	4	5											
CD PLAY	-38.4	-39.8	-	-31.0	-39.9											
STANDBY	-0.1	-0.1	0	0	-0.1											
Ref No.	IC702															
MODE	1	2	3													
CD PLAY	6.9	9.2	0													
STANDBY	0	0	0													
Ref No.	IC703															
MODE	1	2	3	4	5	6	7	8								
CD PLAY	0	0	0	0	0	0	0	0	15.2							
STANDBY	0	0	0	0	0	0	0	0	0							
Ref No.	IC721															
MODE	1	2	3	4	5	6	7	8								
CD PLAY	-34.8	-38.1	-37.3	-30.4	-	-	-39.0	-38.9								
STANDBY	-0.8	-0.9	-0.8	-0.7	-	-	-1.0	-1.0								
Ref No.	IC731															
MODE	1	2	3	4	5	6	7	8								
CD PLAY	4.1	2.5	-	2.1	0	5.7	10.4	5.0								
STANDBY	0	0	0	0	0	0.1	0	0								
Ref No.	Q701			Q702			Q703			Q704			Q705			
MODE	E	C	B	E	C	B	E	C	B	E	C	B	E	C	B	
CD PLAY	-33.7	-33.2	-33.3	0	6.9	0	0	0.1	0.1	10.3	10.2	9.6	0	0	0	
STANDBY	-0.1	-0.1	-0.1	0	0	0	0	0	0	0	0.8	0	0	0	0	
Ref No.	Q723			Q731			Q732			Q733			Q734			
MODE	E	C	B	S	D	G	E	C	B	E	C	B	E	C	B	
CD PLAY	0	0	0.7	0	10.5	5.7	1.7	5.0	2.1	0	5.1	-3.2	10.6	10.4	9.9	
STANDBY	0	5.8	0	0	0	0	0	0	0	0	0.5	-0.6	0	0	0.2	
Ref No.	Q735			Q736			Q881			Q882			Q883			
MODE	E	C	B	E	C	B	E	C	B	E	C	B	E	C	B	
CD PLAY	9.8	9.9	10.4	5.0	6.0	5.7	0	0	0.7	0	14.4	0	0	14.4	0	
STANDBY	0	0	0.1	0.1	0.1	0.1	0	0.6	0	0	0.6	0	0	0.8	0	
Ref No.	Q884															
MODE	E	C	B													
CD PLAY	0	0.1	0.7													
STANDBY	0	0.7	0													

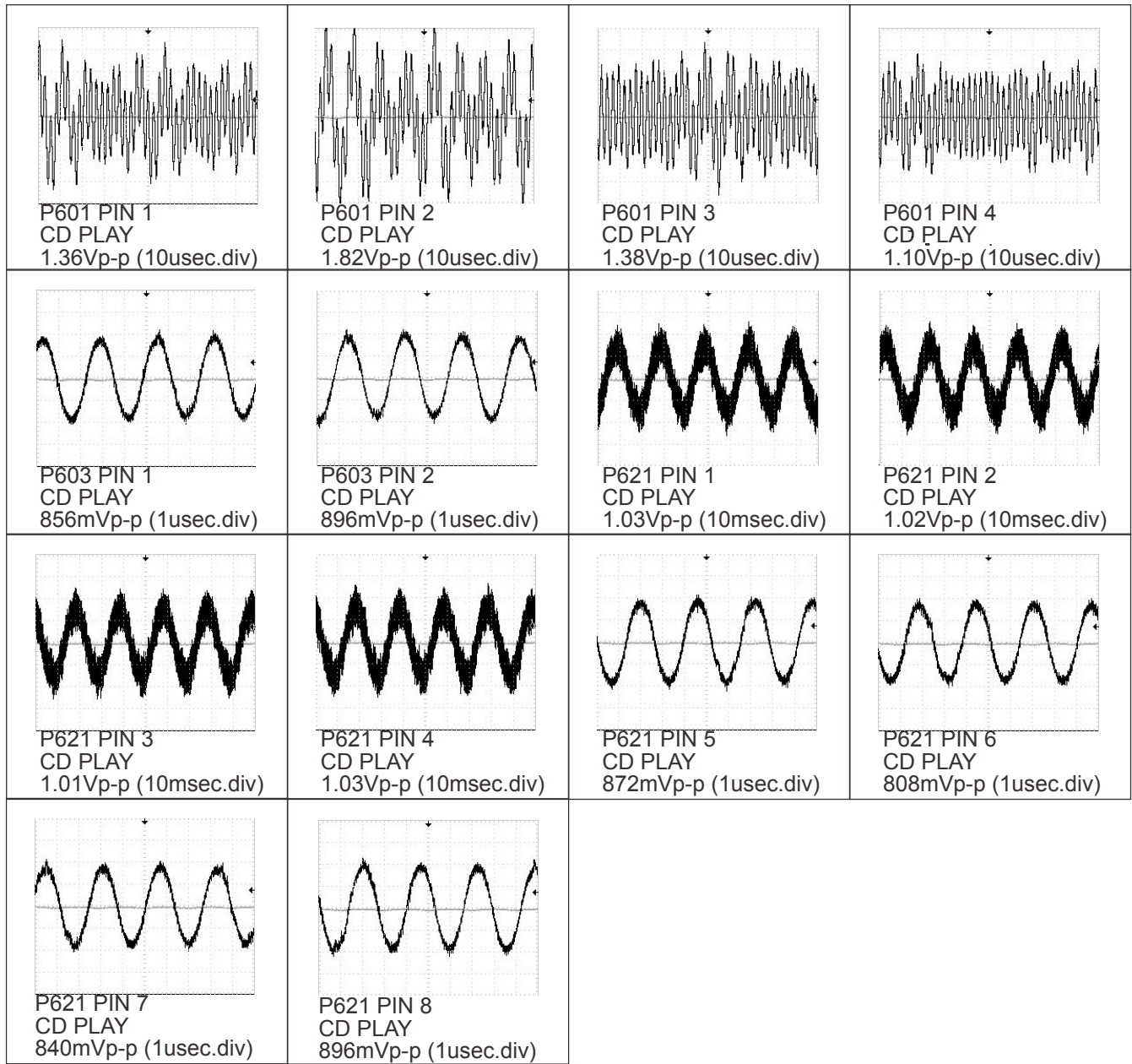
9.1.6. Video & Optical P.C.B.

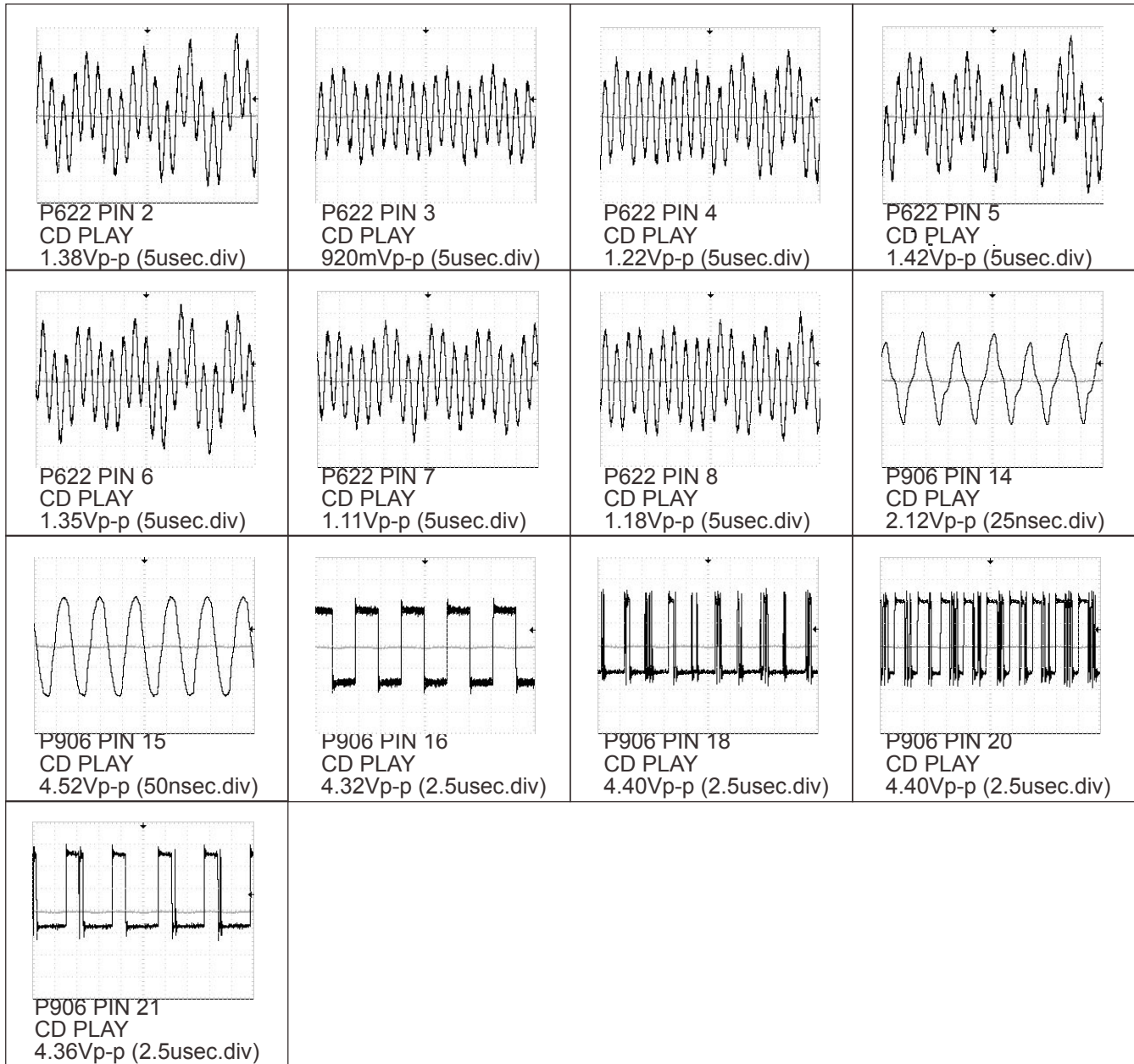
VIDEO & OPTICAL P.C.B.																
Ref No.	IC301															
MODE	1	2	3	4	5	6	7	8	9	10	11	12	13	14	15	16
CD PLAY	0	3.0	0	3.5	0	4.2	0	-5.1	0	3.5	0	0	0	0	0	5.1
STANDBY	0	0	0	0	0	0	0	0.1	0	0	0	0	0	0	0	0.1
Ref No.	IC302															
MODE	1	2	3	4	5	6	7	8	9	10	11	12	13	14	15	16
CD PLAY	0	3.0	0	3.5	0	4.2	0	-5.1	0	3.5	0	0	0	0	0	5.1
STANDBY	0	0	0	0	0	0	0	0.1	0	0	0	0	0	0	0	0.1
Ref No.	IC303															
MODE	1	2	3	4	5	6	7	8	9	10	11	12	13	14	15	16
CD PLAY	0	3.0	0	3.5	0	4.2	0	-5.1	0	3.5	0	0	0	0	0	5.1
STANDBY	0	0	0	0	0	0	0	0.1	0	0	0	0	0	0	0	0.1
Ref No.	IC499															
MODE	1	2	3	4	5	6										
CD PLAY	1.5	0	1.5	1.5	3.3	1.5										
STANDBY	0	0	0	0	0.1	0										

9.1.7. Component Video P.C.B.

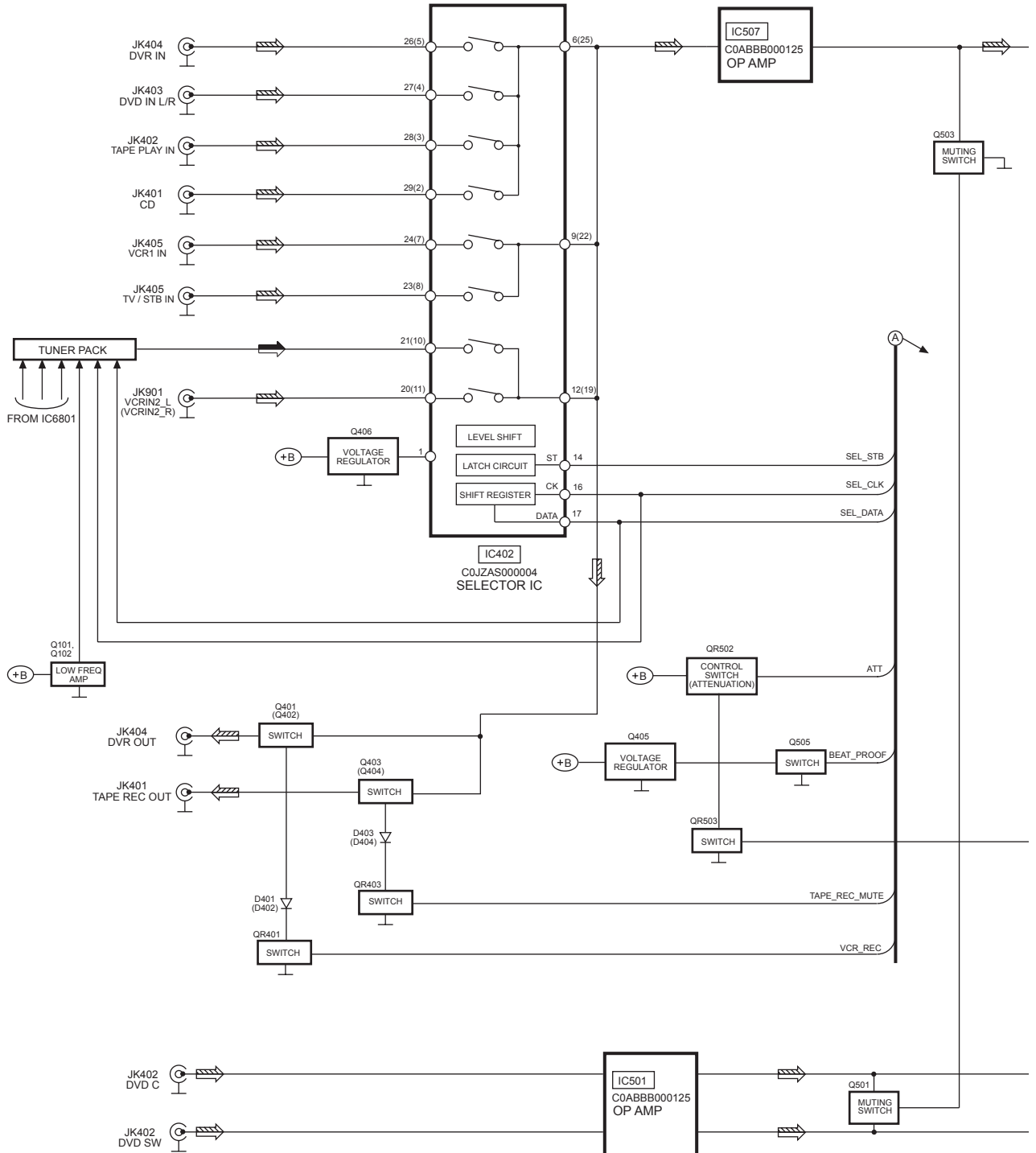
COMPONENT VIDEO P.C.B.																				
Ref No.	IC304																			
MODE	1	2	3	4	5	6	7	8	9	10	11	12	13	14	15	16	17	18	19	20
CD PLAY	0	0	0	4.6	0	0	5.0	0	0	0	0	0	0	0	0	-5.1	0	-5.1	0	0.1
STANDBY	0	0	0	0	0	0	0	0	0	0	0	0	0	0	0	0	0	0	0	0
Ref No.	IC304																			
MODE	21	22	23	24																
CD PLAY	5.0	0	4.6	0																
STANDBY	0	0	0	0																

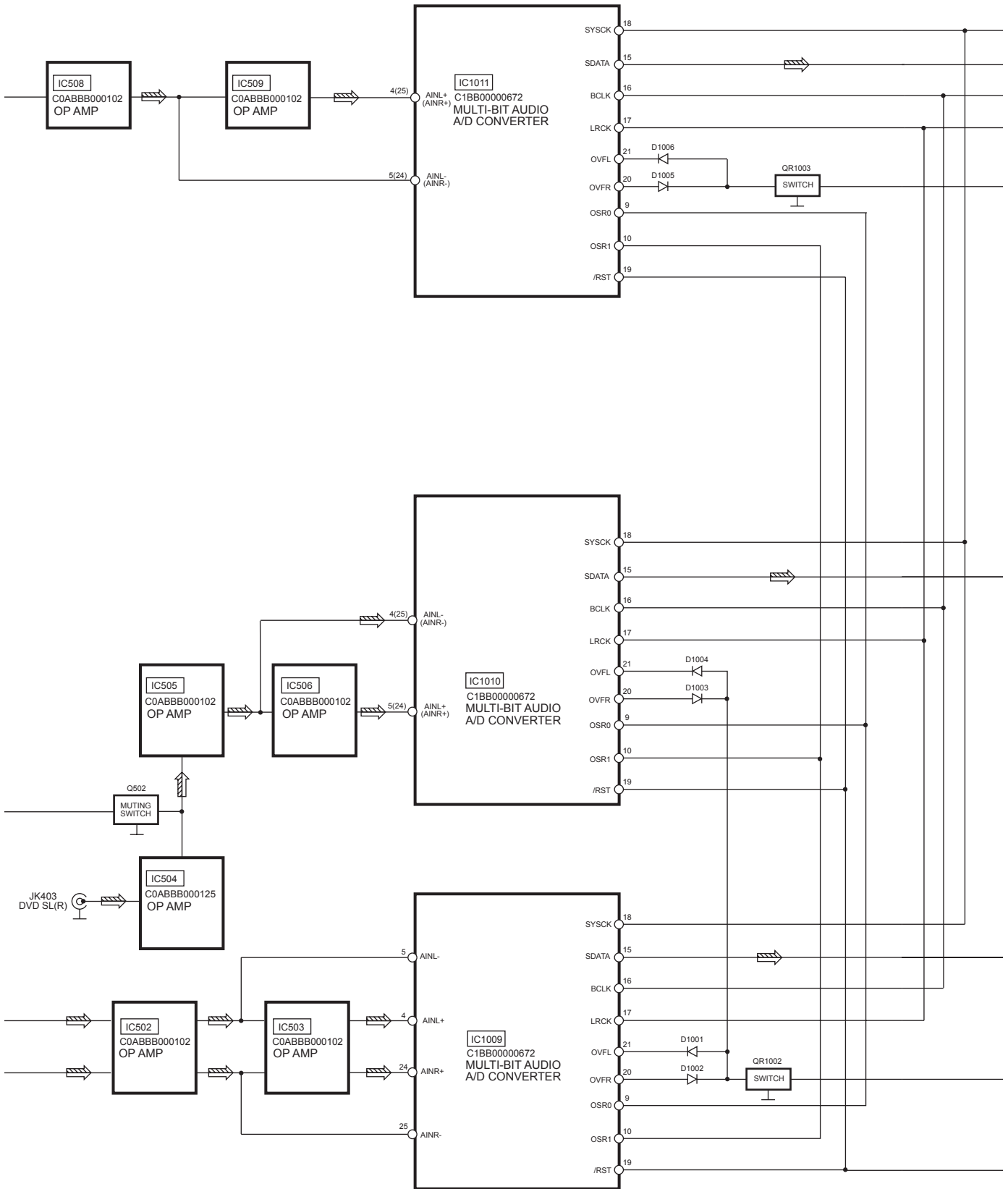
9.2. Waveform Chart

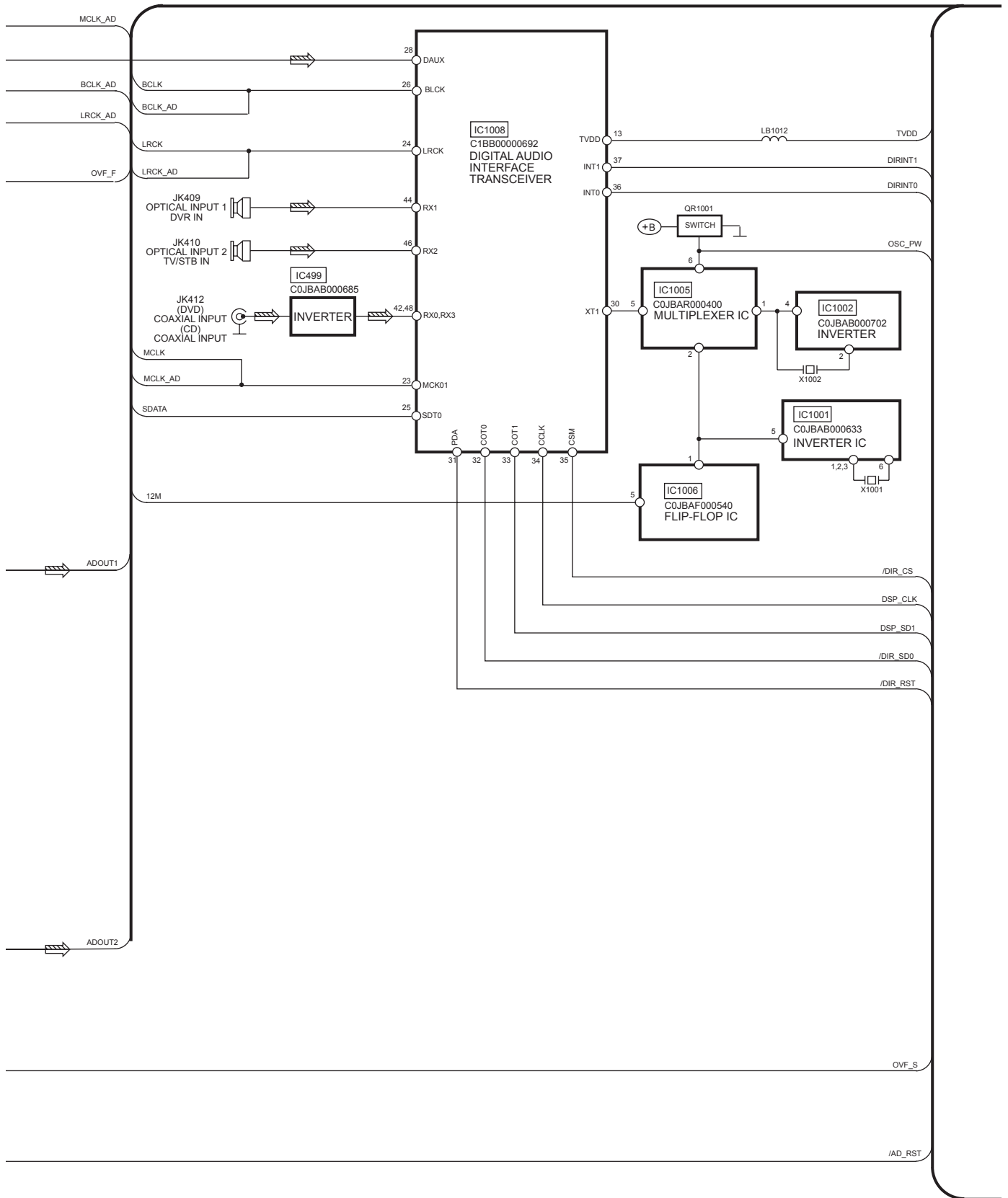


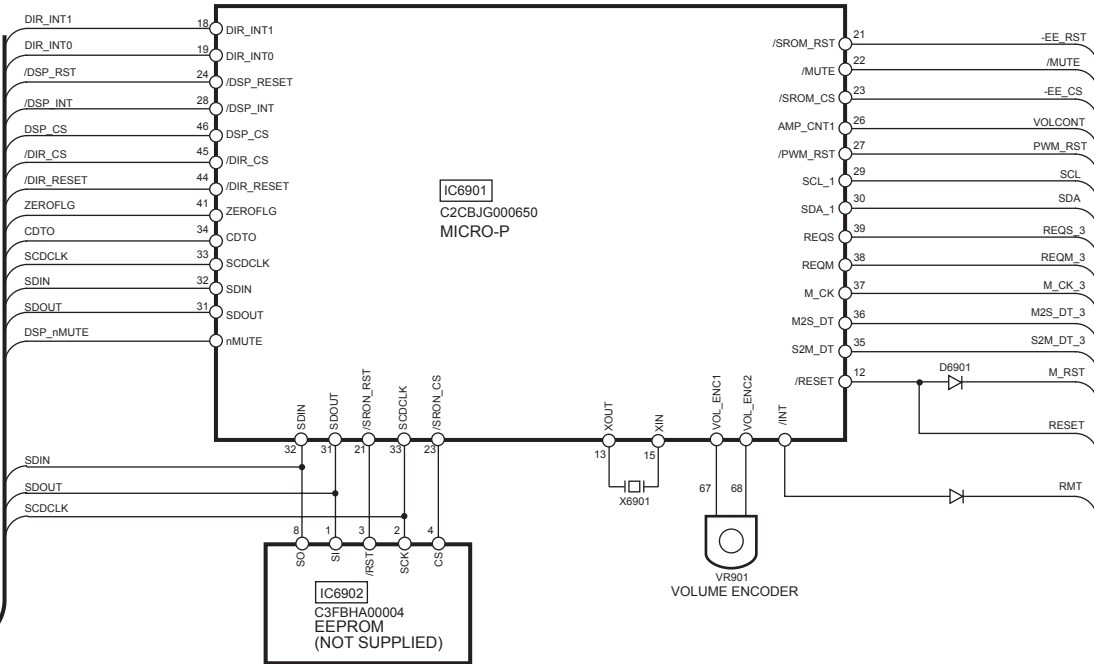
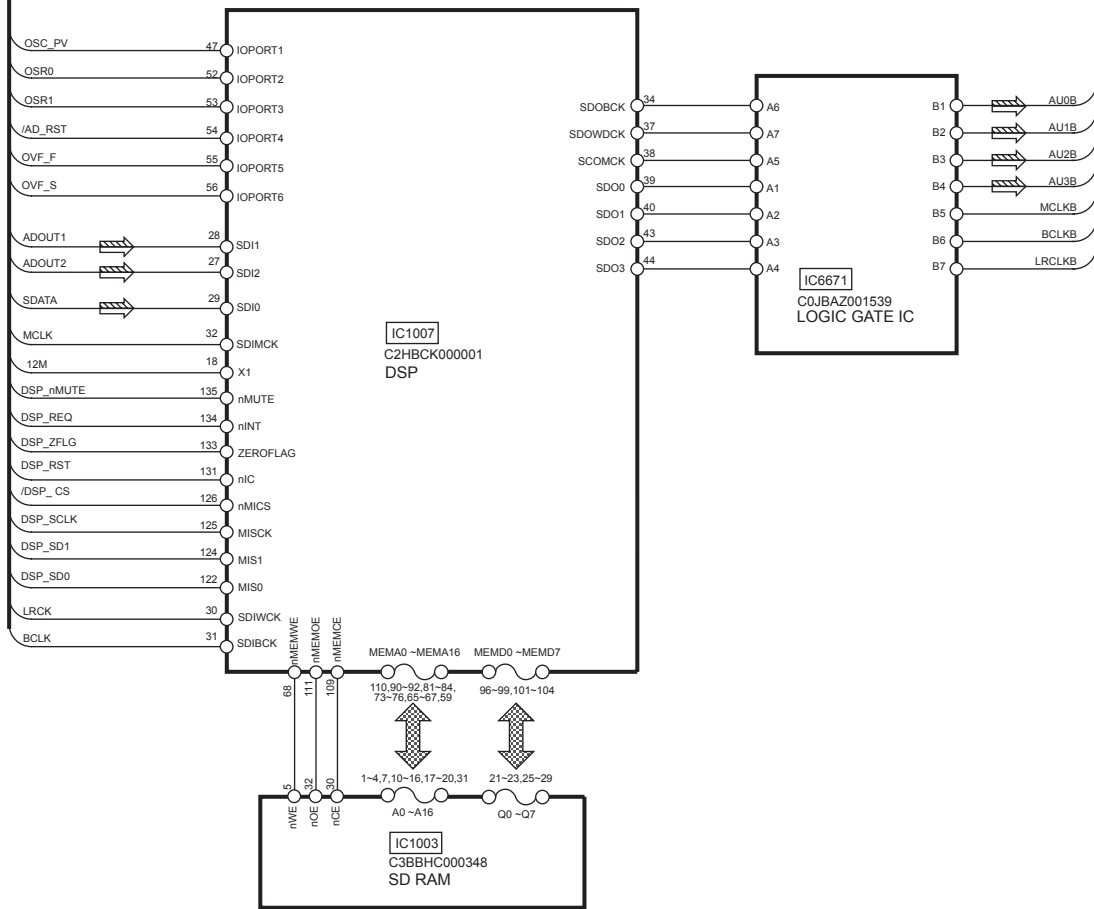


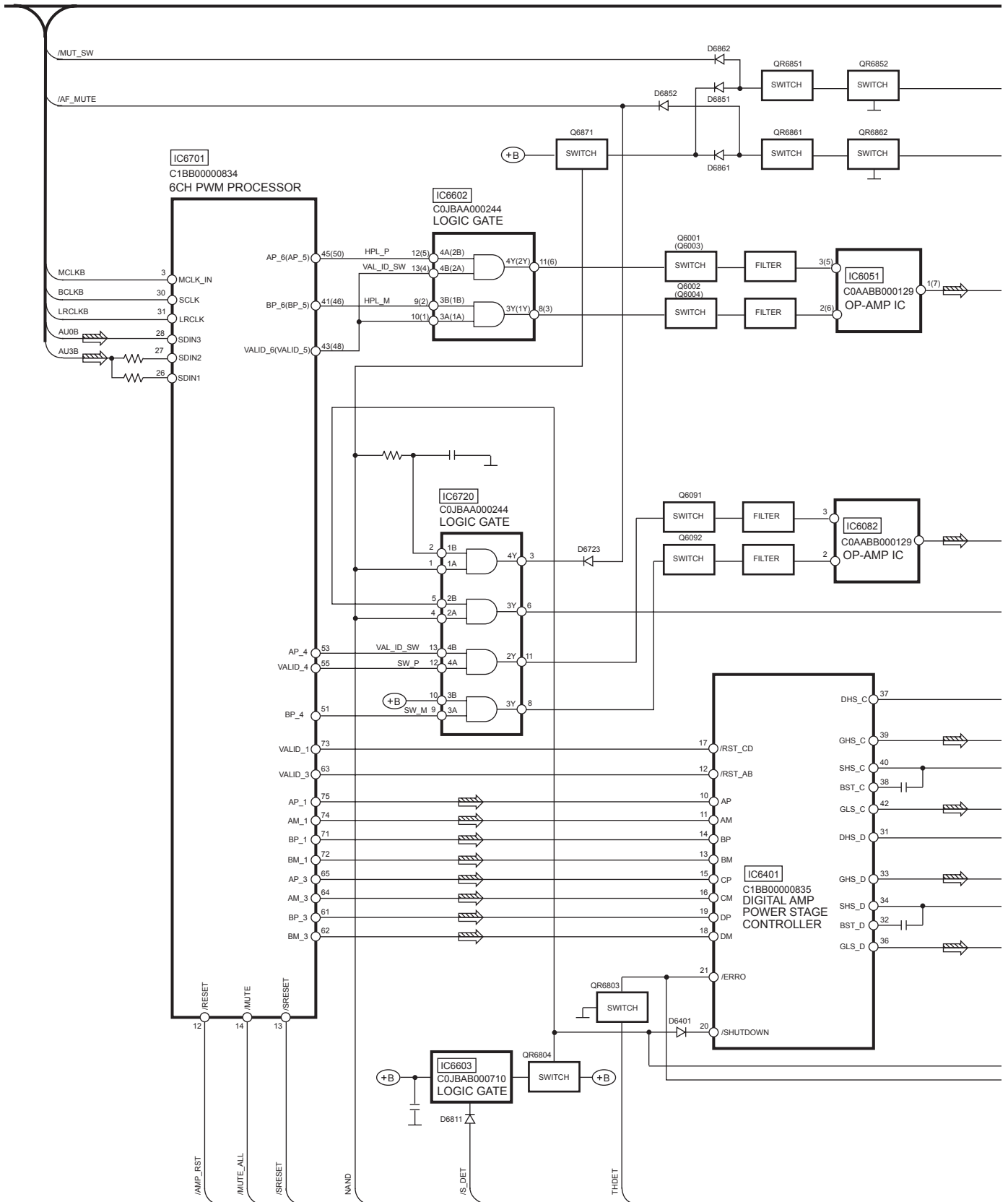
10 Block Diagram

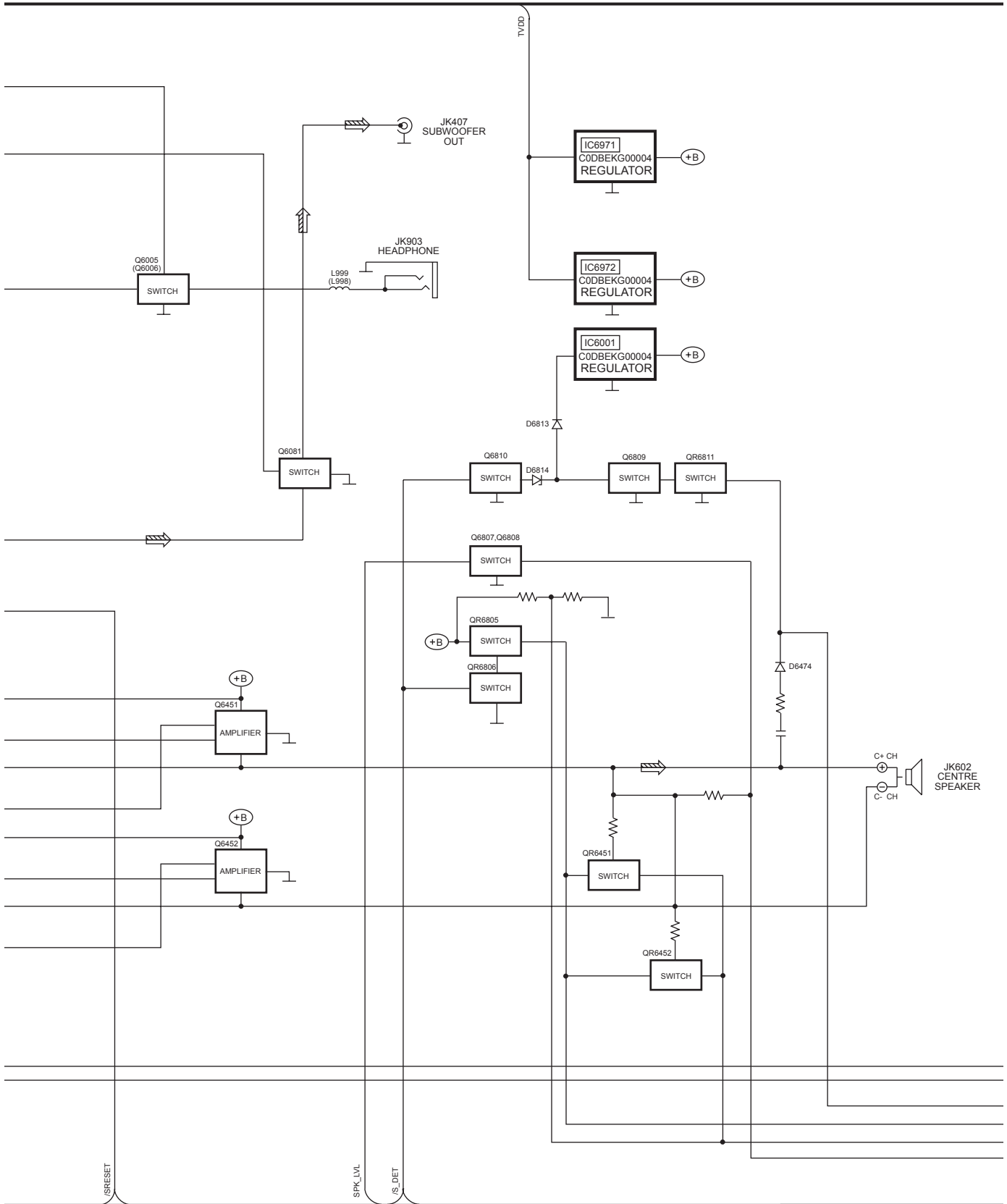


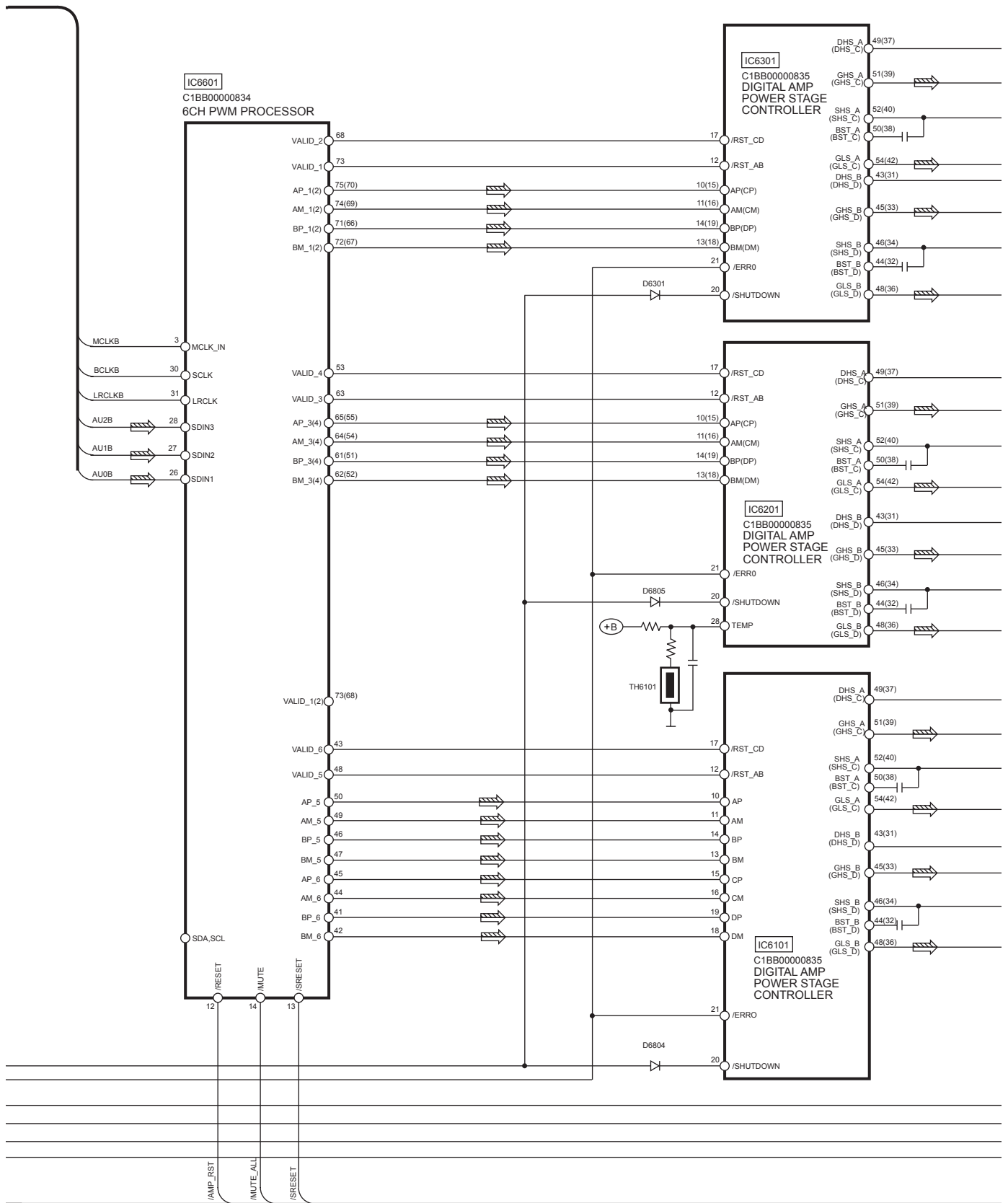


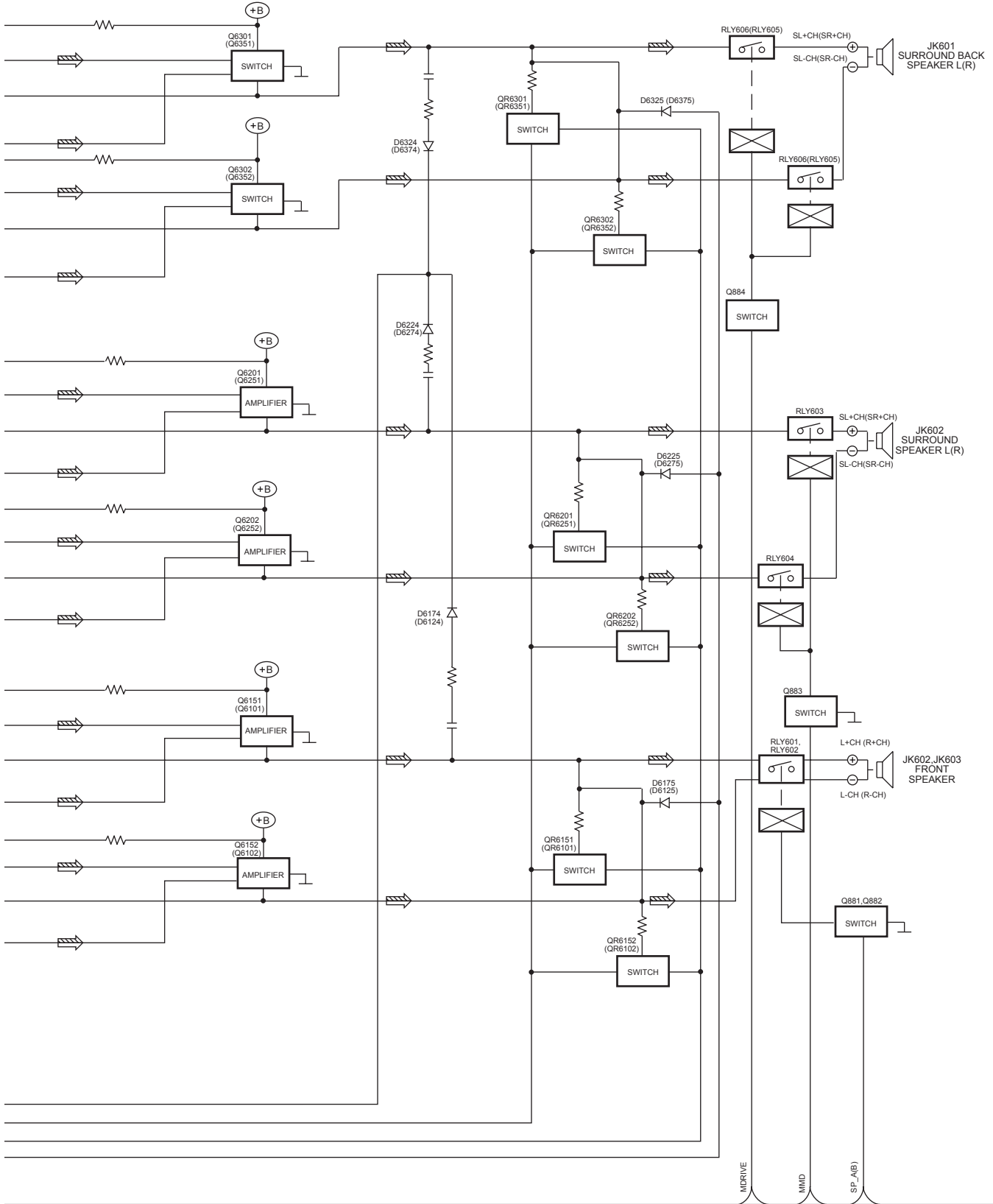


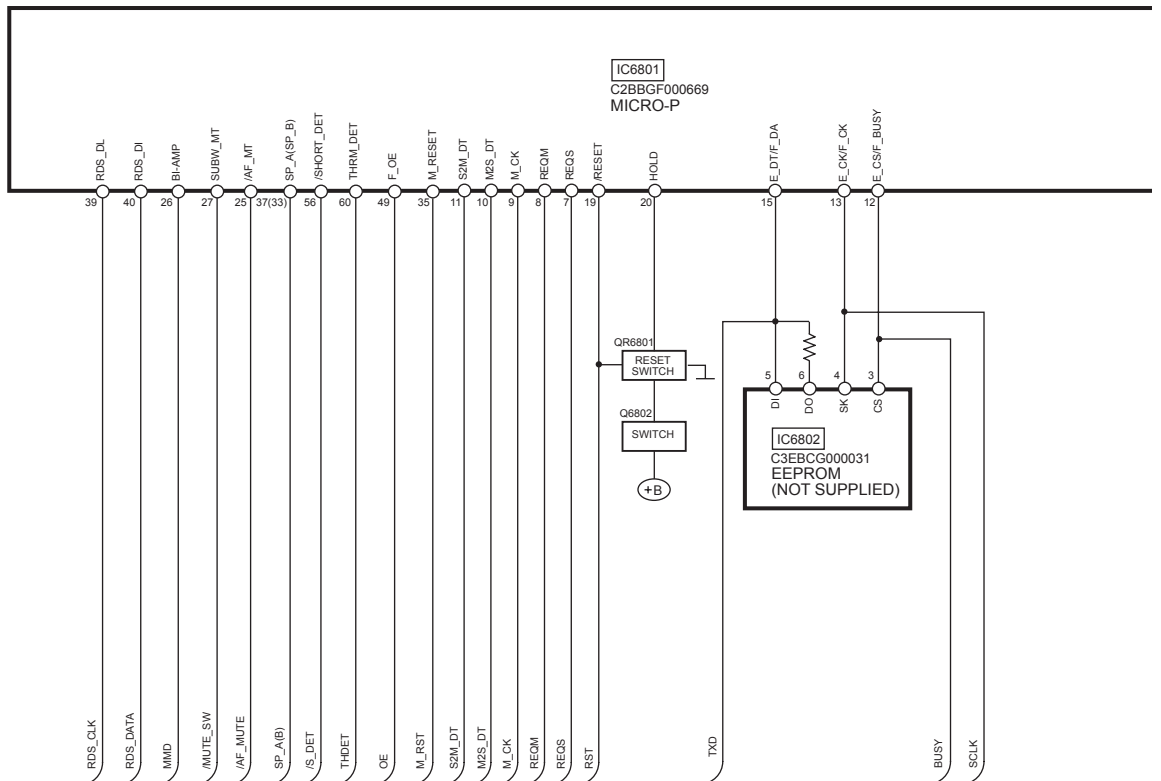
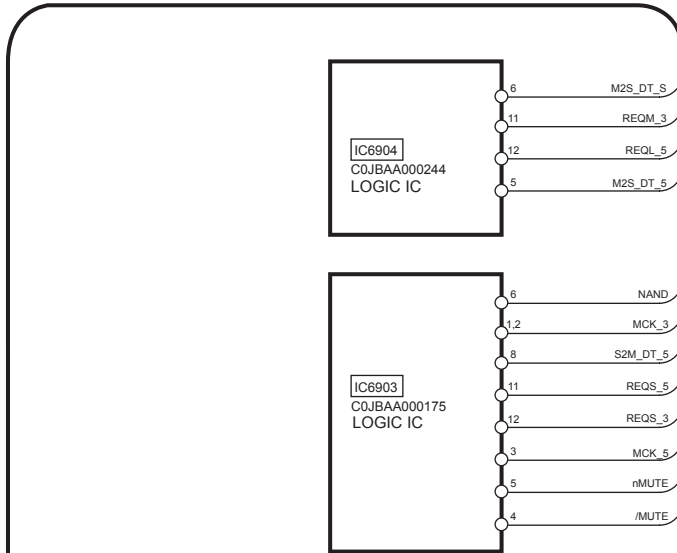


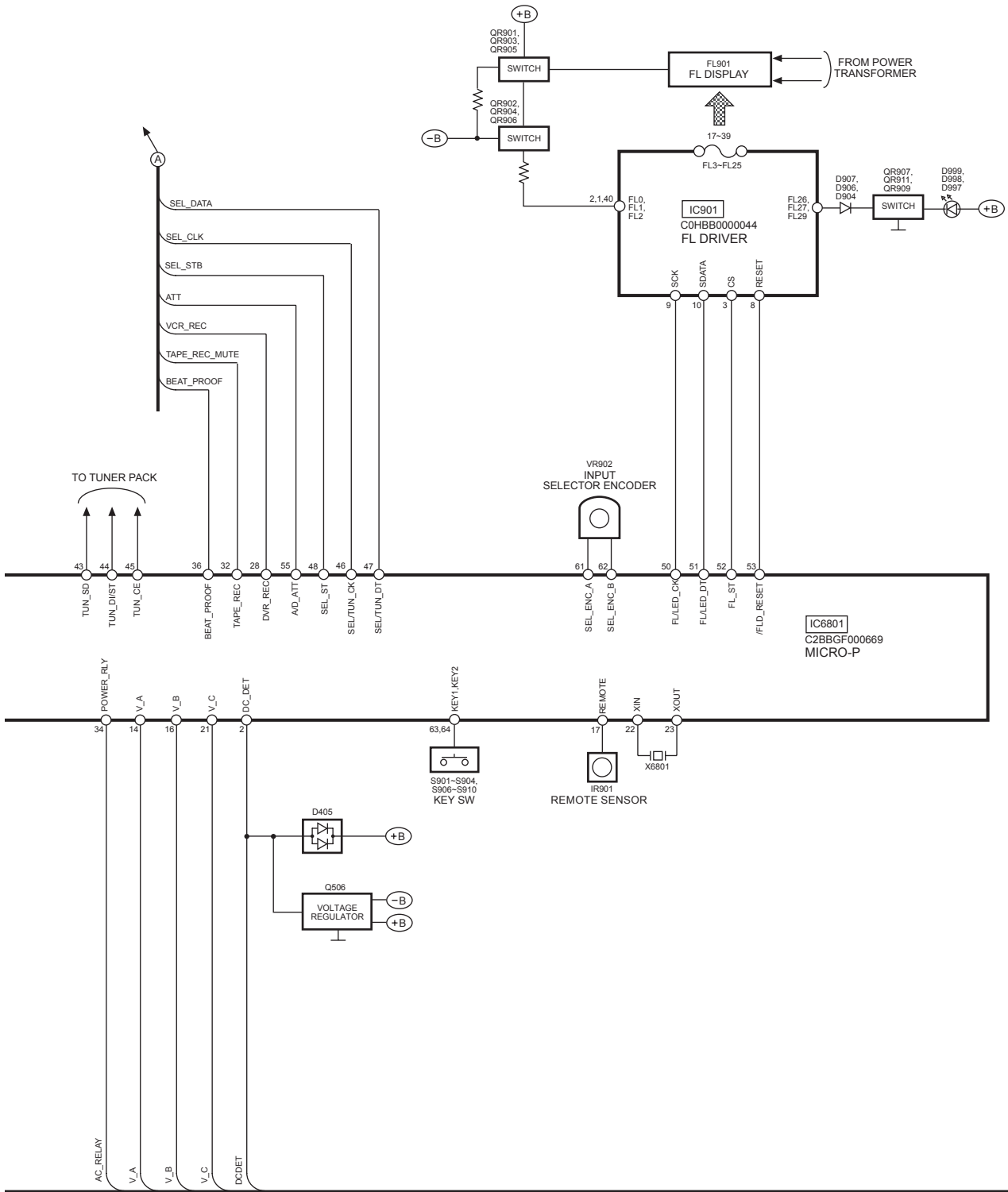


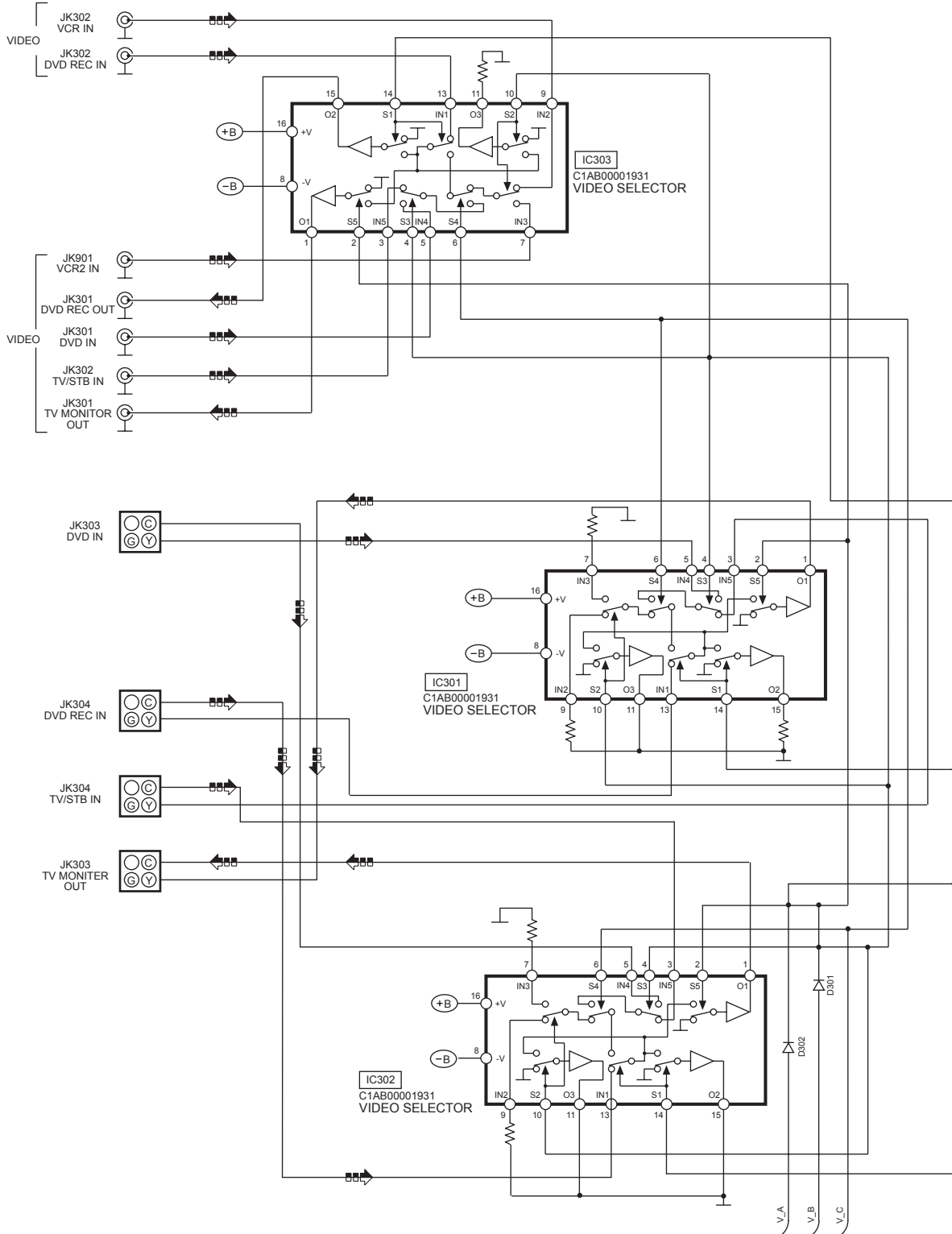




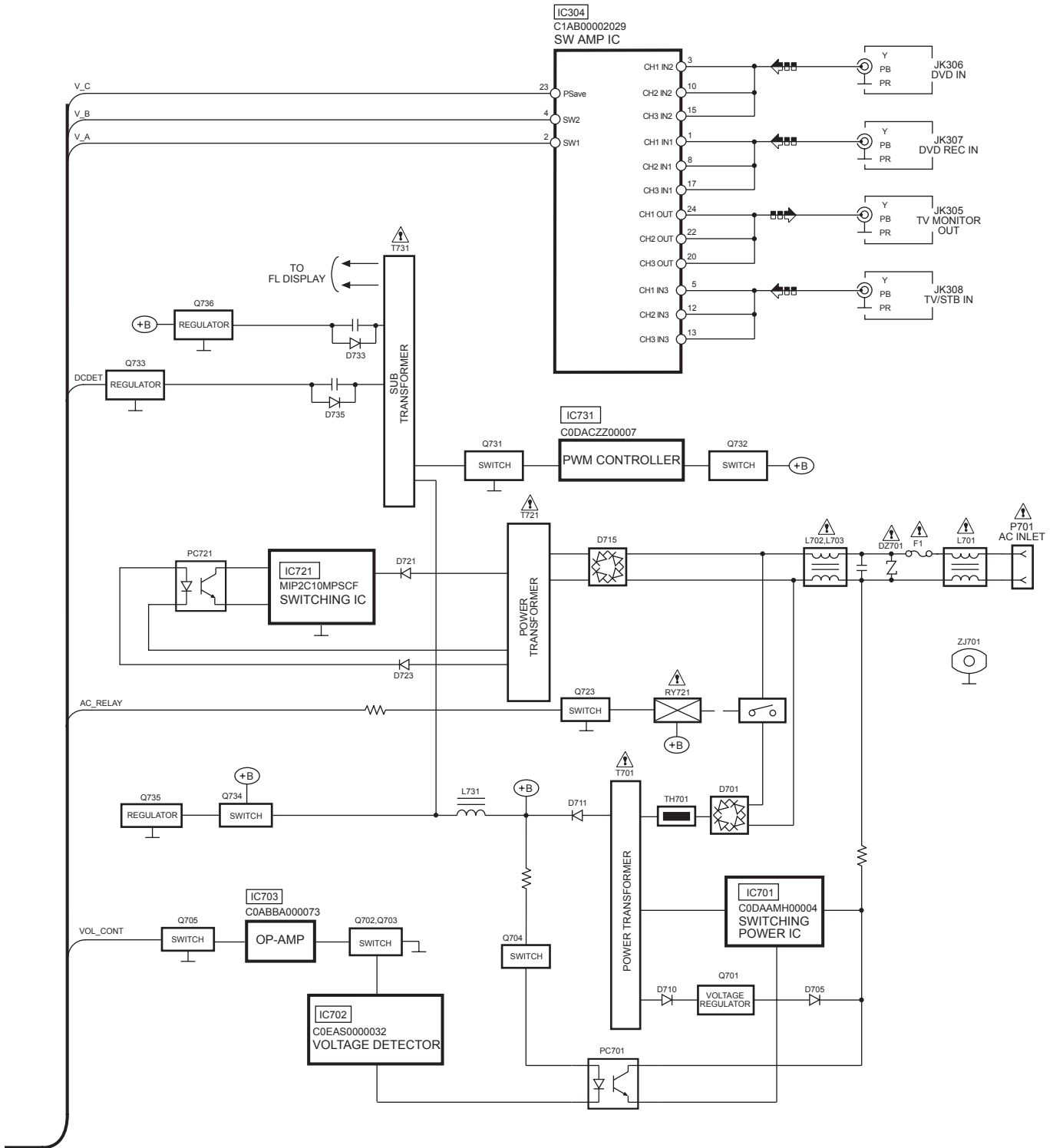
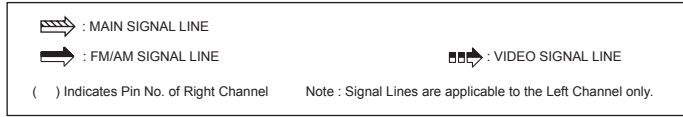








SIGNAL LINES



11 Notes of Schematic Diagram


(All schematic diagrams may be modified at any time with the development of new technology)

Note :

S901	Power switch
S902	Speaker A switch
S903	Band switch
S904	Preset switch
S906	Speaker B switch
S907	Tune Down switch
S908	Tune Up switch
S909	Multi Control switch
S910	Enter switch
VR901	Volume
VR902	Input Selector

- The voltage value and waveforms are the reference voltage of this unit measured by DC electronic voltmeter (high impedance) and oscilloscope on the basis of chassis. Accordingly, there may arise some error in voltage values and waveforms depending upon the internal impedance of the tester or the measuring unit.

· Importance safety notice :

Components identified by  mark have special characteristics important for safety. Furthermore, special parts which have purposes of fire-retardant (resistors), high-quality sound (capacitors), low-noise (resistors), etc. are used. When replacing any of components, be sure to use only manufacturer's specified parts shown in the parts list.

Caution !

IC, LSI and VLSI are sensitive to static electricity.

Secondary trouble can be prevented by taking care during repair.

- Cover the parts boxes made of plastics with aluminium foil.
- Put a conductive mat on the work table.
- Ground the soldering iron.
- Do not touch the pins of IC, LSI or VLSI with fingers directly.

FUSE CAUTION



These symbols located near the fuse indicates that the fuse used is a fast operating type. For continued protection against fire hazard, replace with the same type fuse. For fuse rating, refer to the marking adjacent to the symbol.



Ce symbole indique que le fusible utilisé est à rapide. Pour une protection permanente, n' utiliser que des fusibles de même type. Ce dernier est indiqué là où le présent symbole est apposé.

CAUTION: FOR CONTINUED PROTECTION AGAINST FIRE HAZARD, REPLACE ONLY WITH SAME TYPE F1 8A, 125V FUSE.



RISK OF FIRE-REPLACE FUSE AS MARKED.

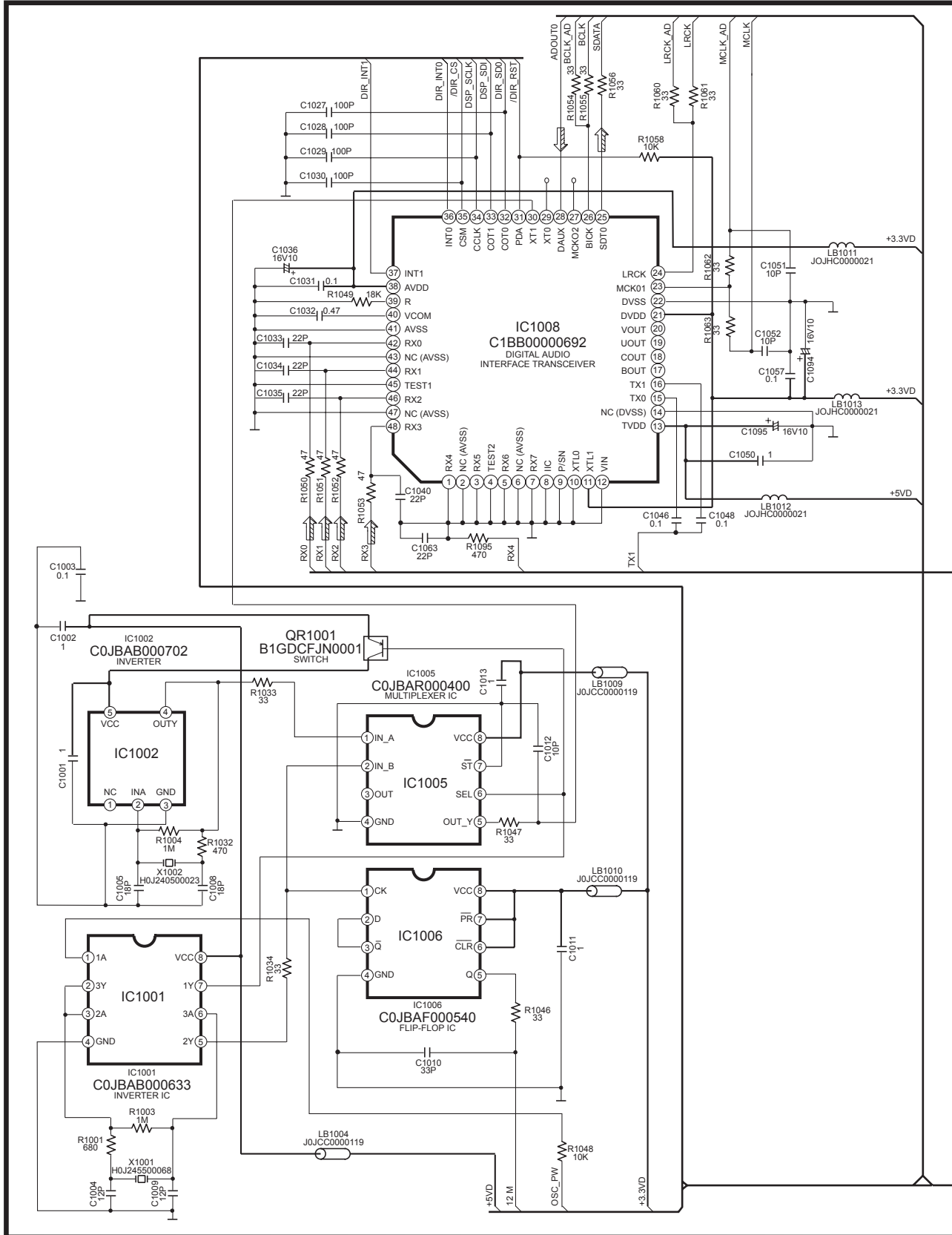
12 Schematic Diagram

12.1. DSP Circuit

SCHEMATIC DIAGRAM - 1

A DSP CIRCUIT

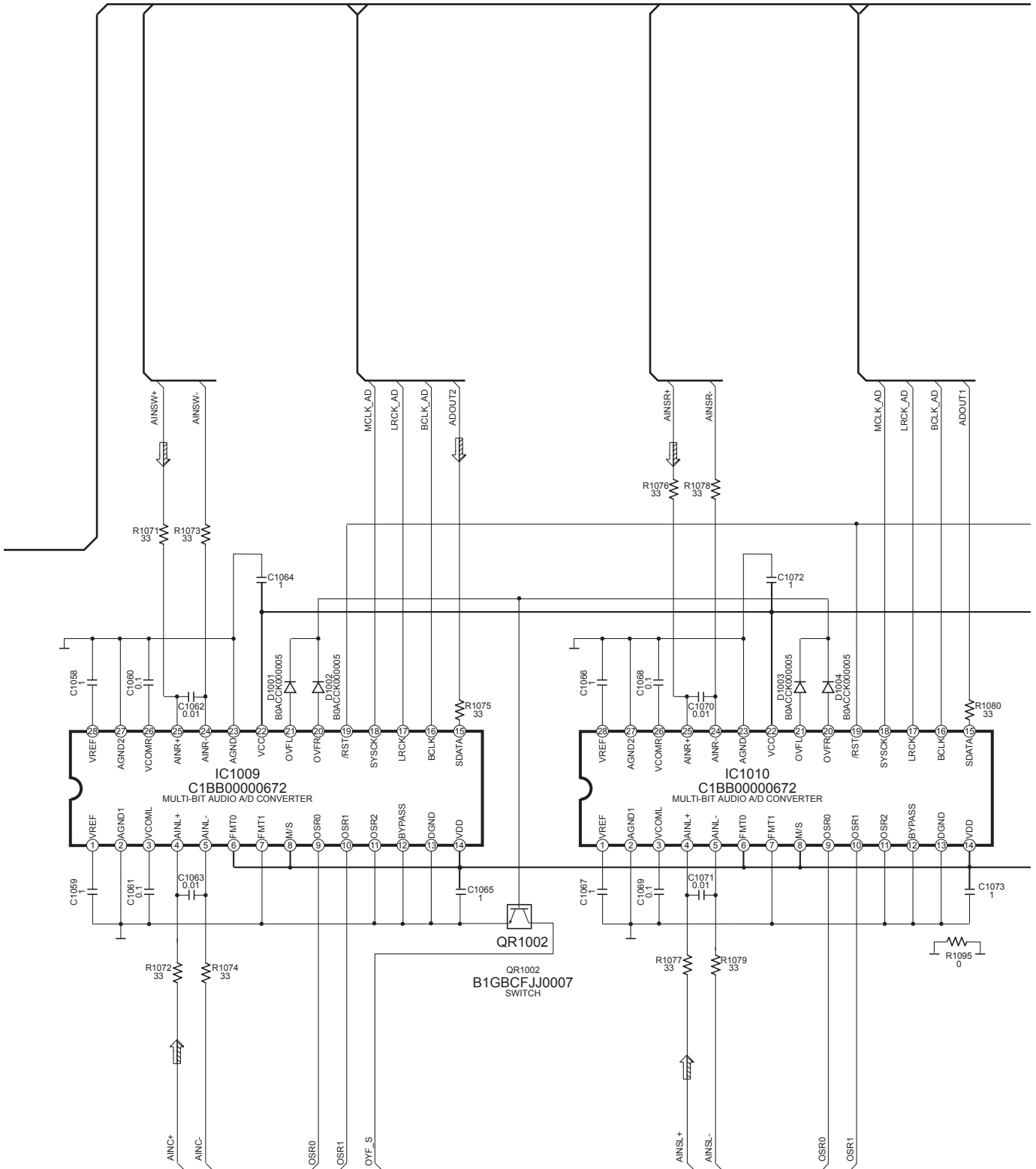
— : +B SIGNAL LINE ⇨ : MAIN SIGNAL LINE



SCHEMATIC DIAGRAM - 2

A DSP CIRCUIT

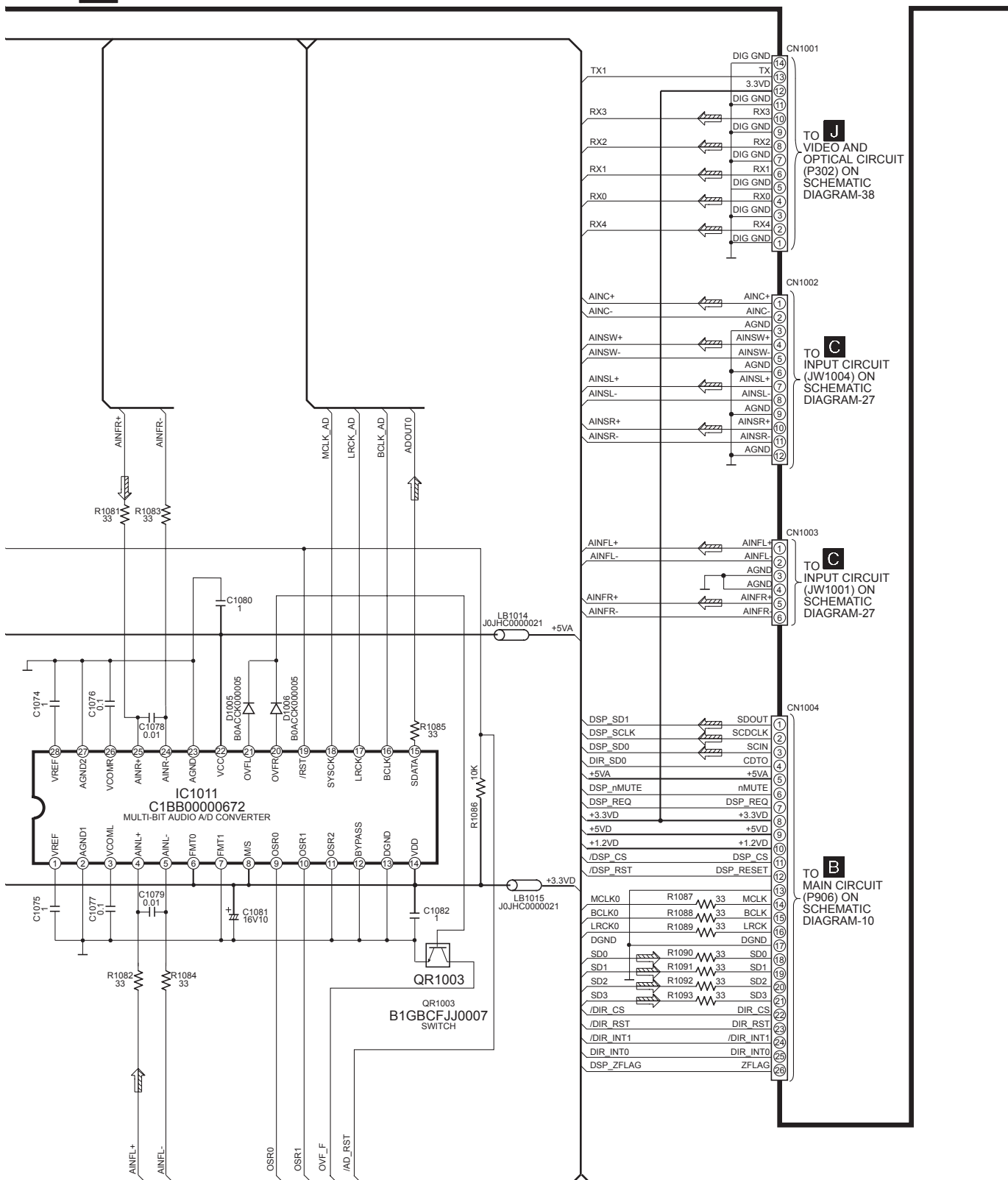
— : +B SIGNAL LINE ⇨ : MAIN SIGNAL LINE



SCHEMATIC DIAGRAM - 3

A DSP CIRCUIT

— : +B SIGNAL LINE ⇨ : MAIN SIGNAL LINE



J
TO VIDEO AND OPTICAL CIRCUIT (P302) ON SCHEMATIC DIAGRAM-38

C
TO INPUT CIRCUIT (JW1004) ON SCHEMATIC DIAGRAM-27

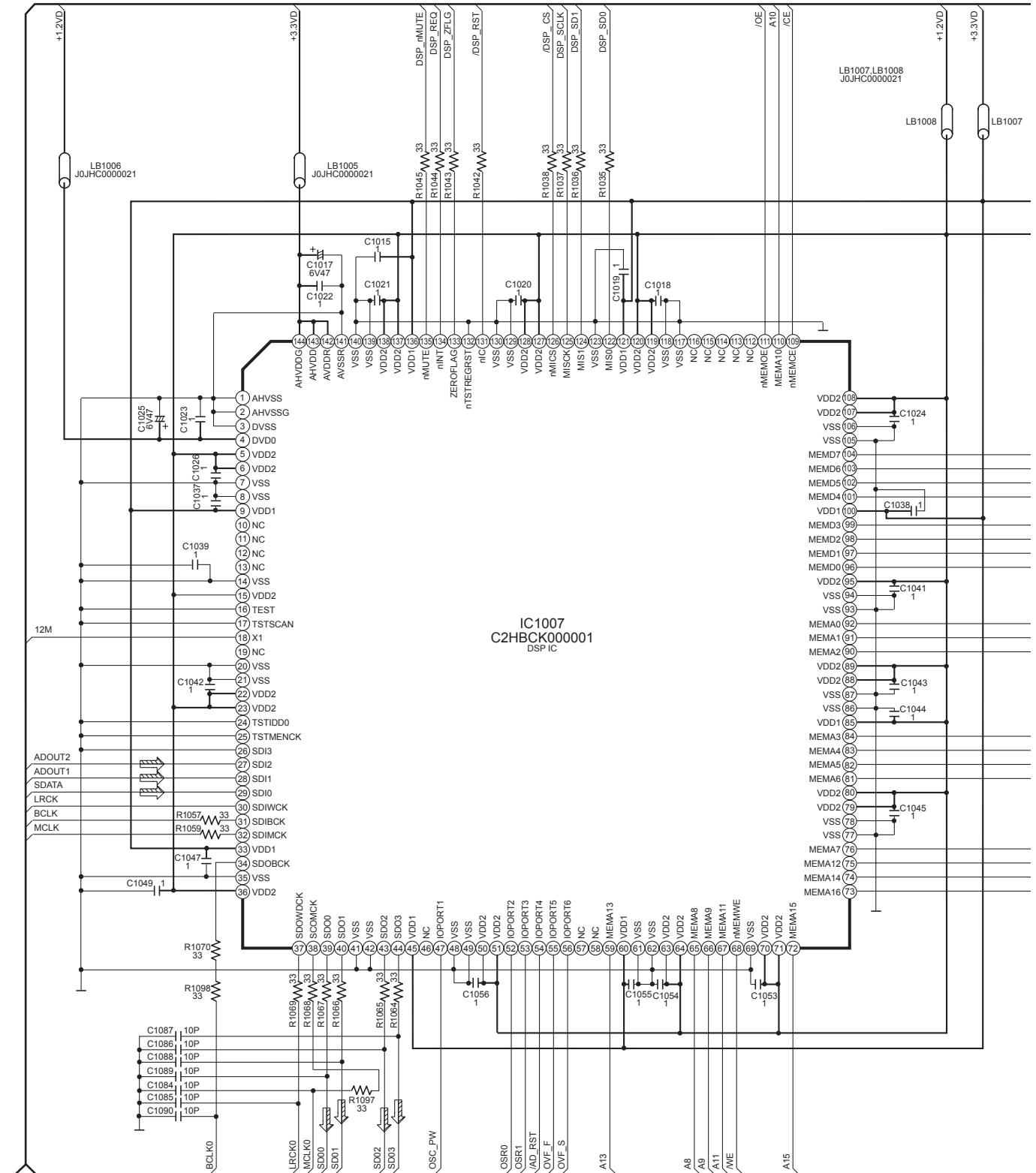
C
TO INPUT CIRCUIT (JW1001) ON SCHEMATIC DIAGRAM-27

B
TO MAIN CIRCUIT (P906) ON SCHEMATIC DIAGRAM-10

SCHEMATIC DIAGRAM - 4

A DSP CIRCUIT

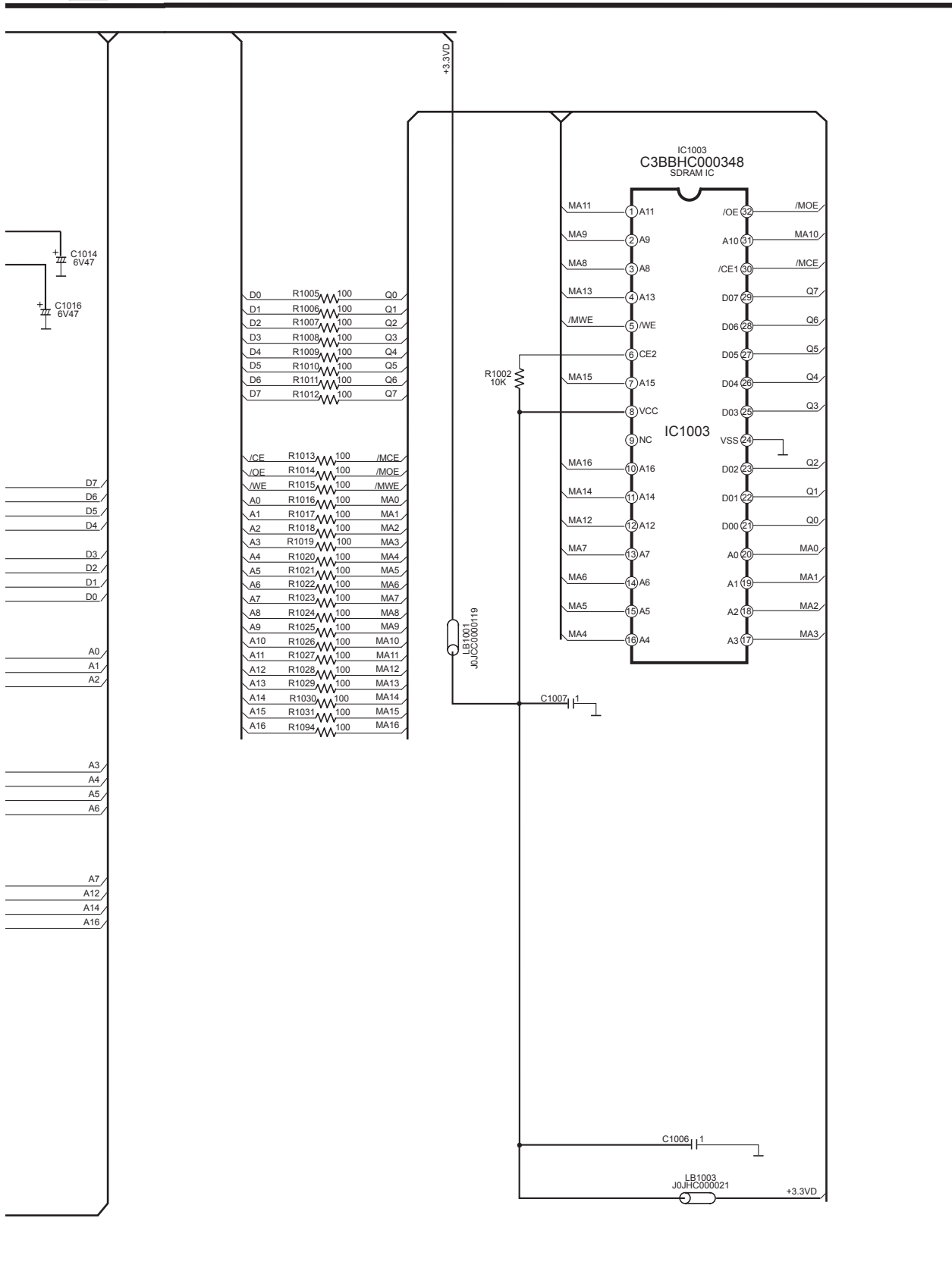
— : +B SIGNAL LINE ⇨ : MAIN SIGNAL LINE



SCHEMATIC DIAGRAM - 5

A DSP CIRCUIT


— : +B SIGNAL LINE



12.2. Main Circuit

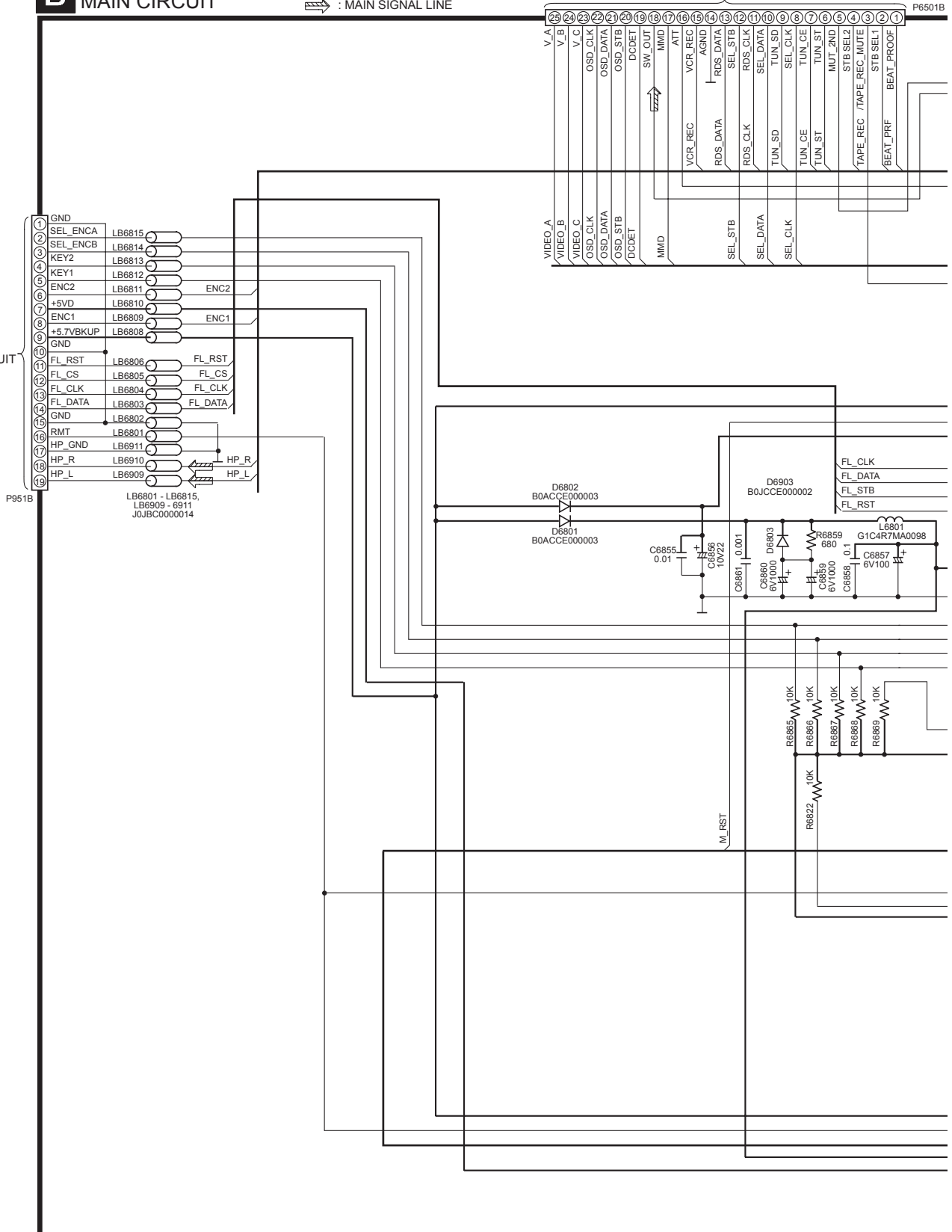
SCHEMATIC DIAGRAM -6

B MAIN CIRCUIT

— : + B SIGNAL LINE
 : MAIN SIGNAL LINE

TO **C**
 INPUT CIRCUIT
 (P6501A) ON
 SCHEMATIC
 DIAGRAM-28

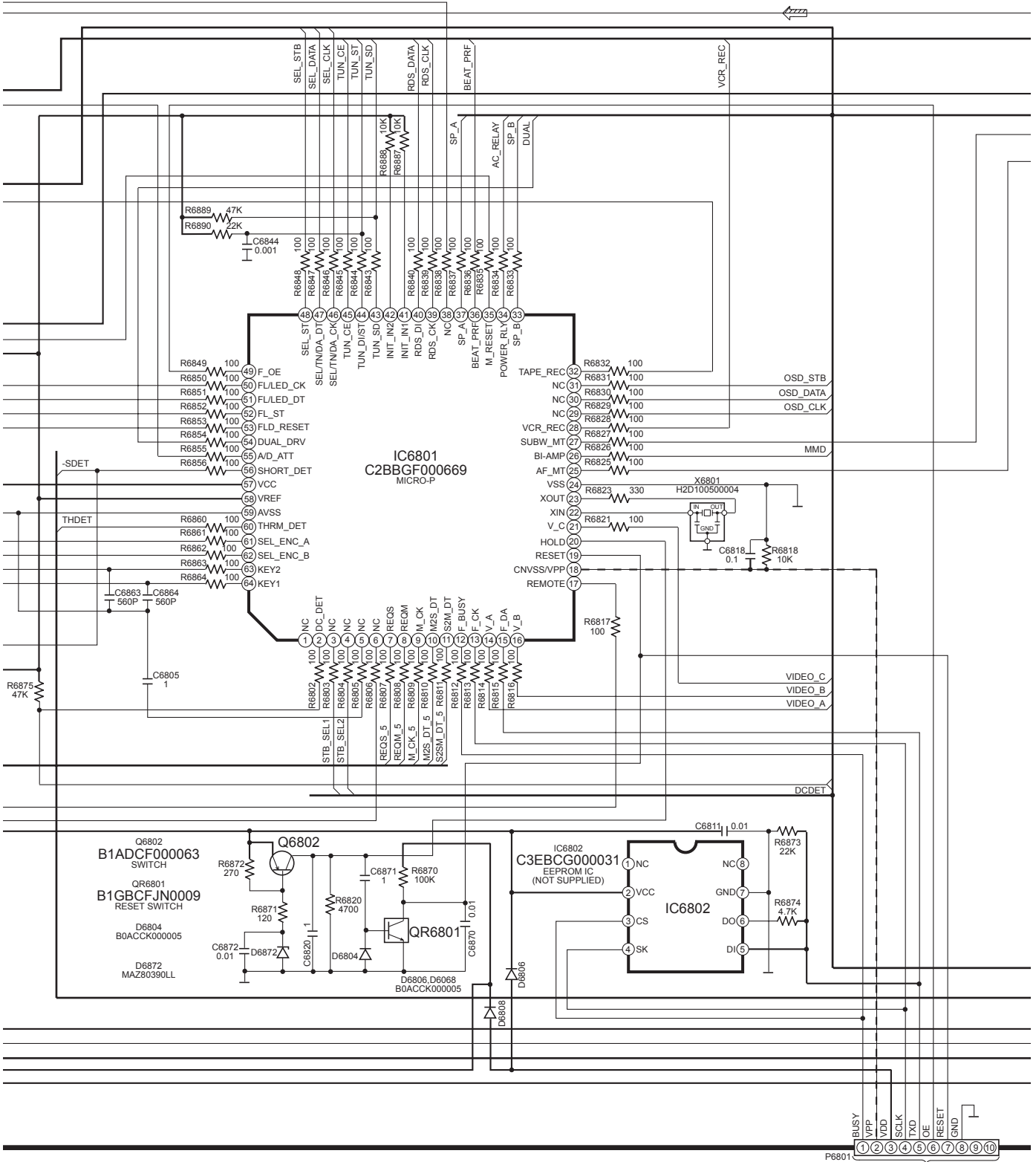
TO **E**
 PANEL CIRCUIT
 (P951A) ON
 SCHEMATIC
 DIAGRAM-30



SCHEMATIC DIAGRAM -7

B MAIN CIRCUIT

--- :B SIGNAL LINE
 — :+ B SIGNAL LINE ⇨ : MAIN SIGNAL LINE

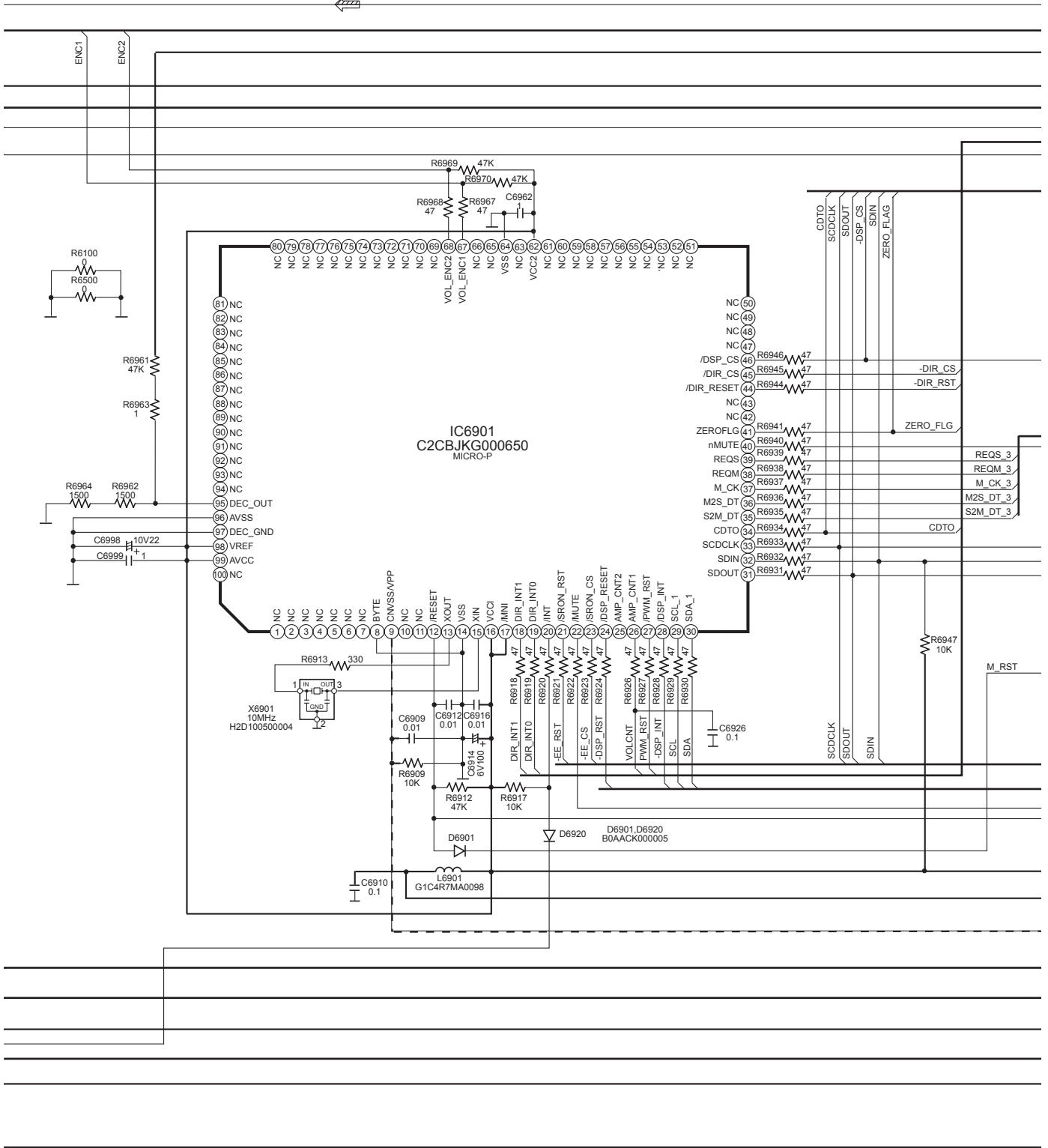


P6801
 TO **B** MAIN CIRCUIT (P6901) ON SCHEMATIC DIAGRAM-9

SCHEMATIC DIAGRAM -8

B MAIN CIRCUIT

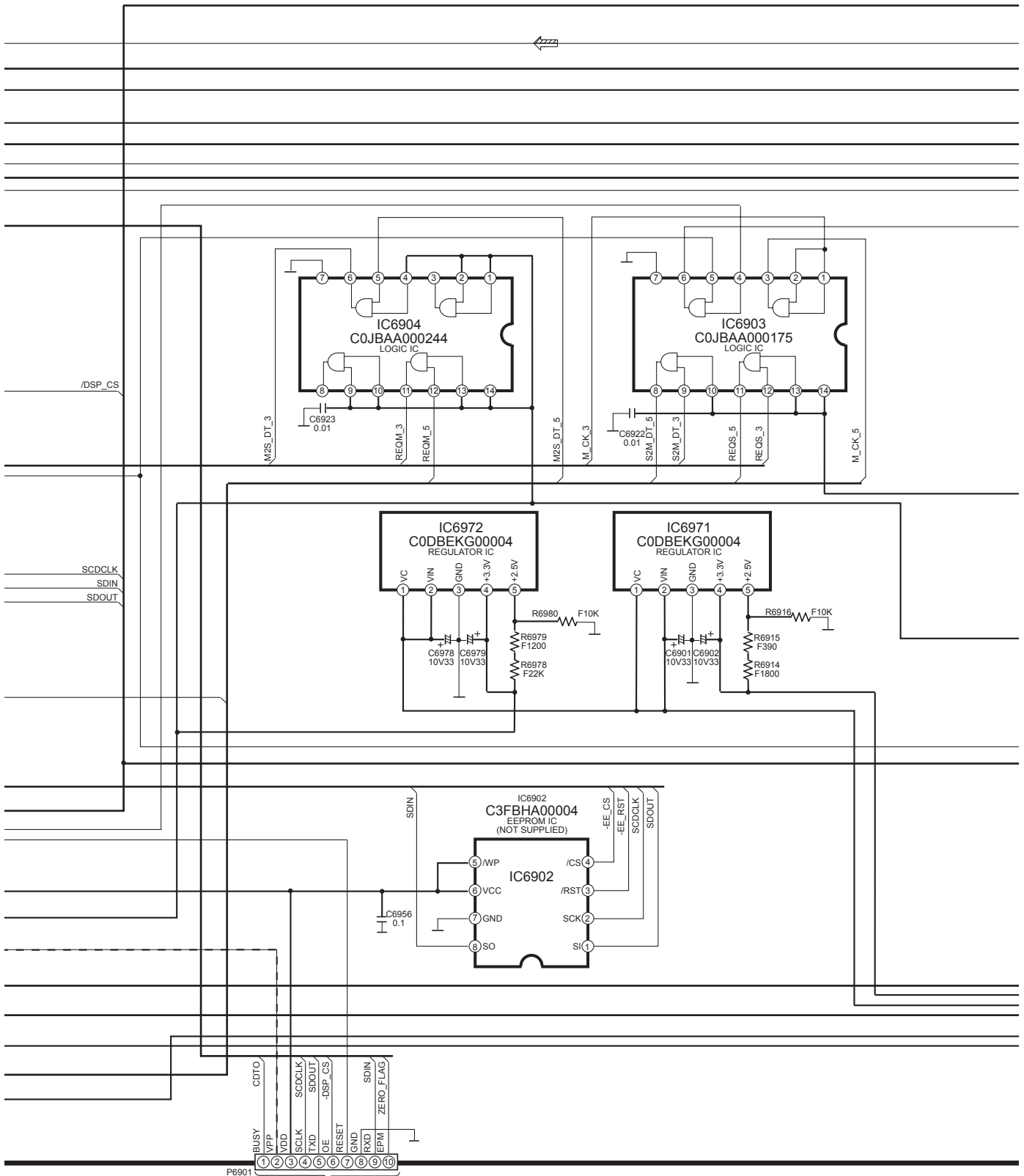
- - - : -B SIGNAL LINE
 ——— : +B SIGNAL LINE ⇨ : MAIN SIGNAL LINE



SCHEMATIC DIAGRAM -9

B MAIN CIRCUIT

- - - :B SIGNAL LINE
 — :+ B SIGNAL LINE ⇨ : MAIN SIGNAL LINE

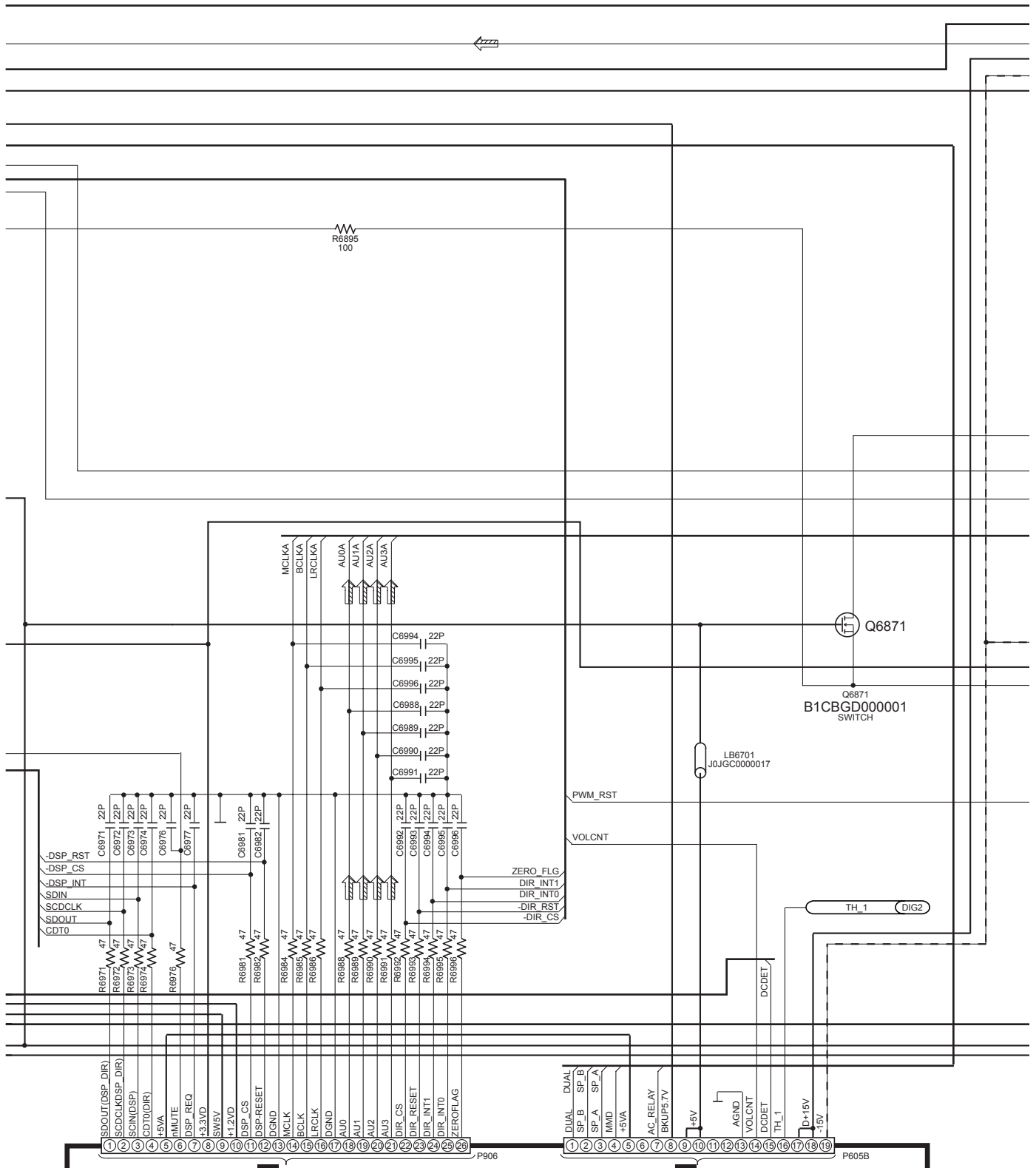


TO **B** MAIN CIRCUIT (P6801) ON SCHEMATIC DIAGRAM-7

SCHEMATIC DIAGRAM -10

B MAIN CIRCUIT

- - - :B SIGNAL LINE
 ——— :+ B SIGNAL LINE ⇨ : MAIN SIGNAL LINE



TO **A**
 DSP CIRCUIT (CN1004) ON
 SCHEMATIC DIAGRAM-3

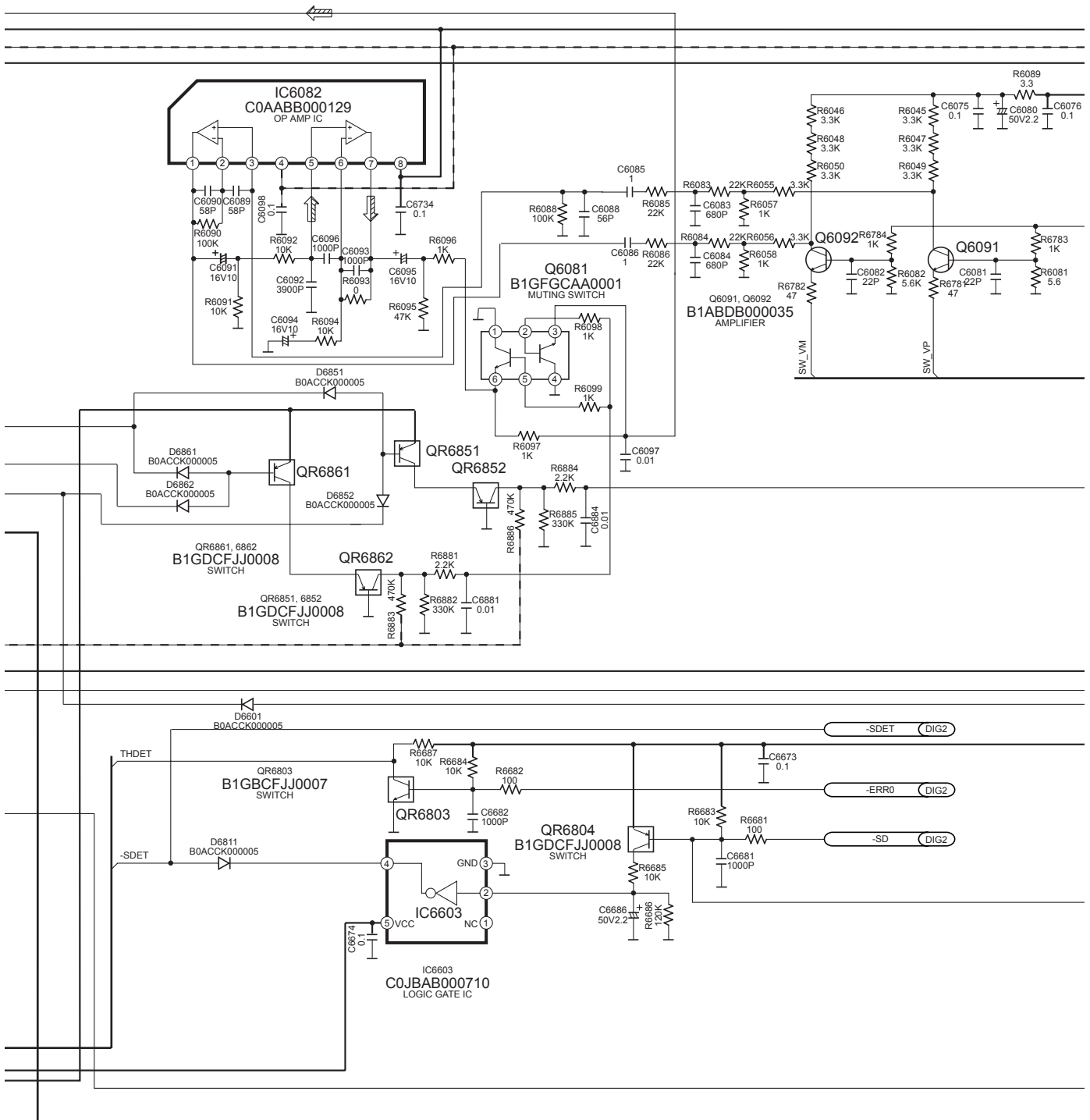
TO **I**
 POWER CIRCUIT (P605) ON
 SCHEMATIC DIAGRAM-32

SCHEMATIC DIAGRAM -11

B MAIN CIRCUIT

- - - :B SIGNAL LINE

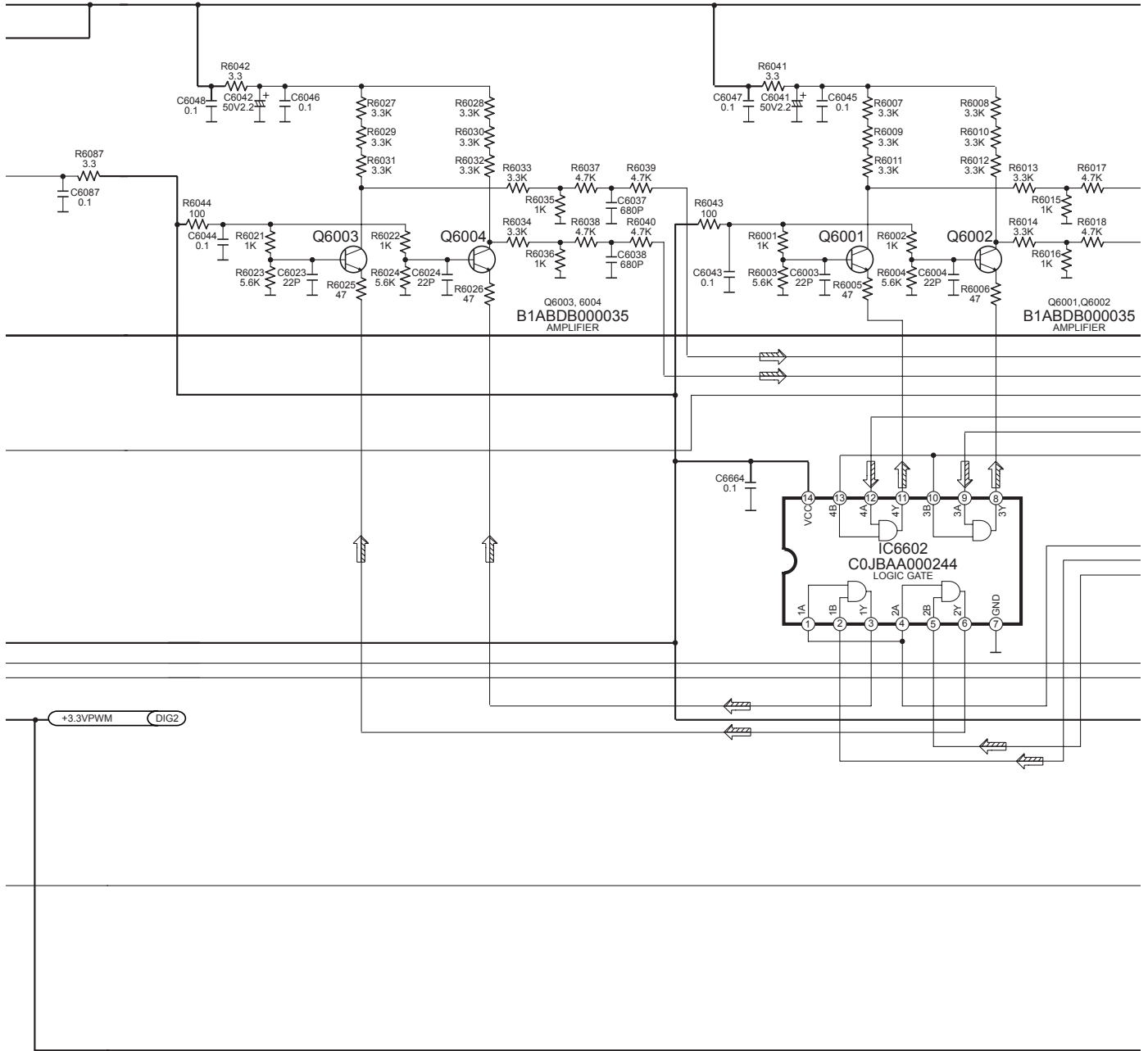
— :+ B SIGNAL LINE ⇨ : MAIN SIGNAL LINE



SCHEMATIC DIAGRAM -12

B MAIN CIRCUIT

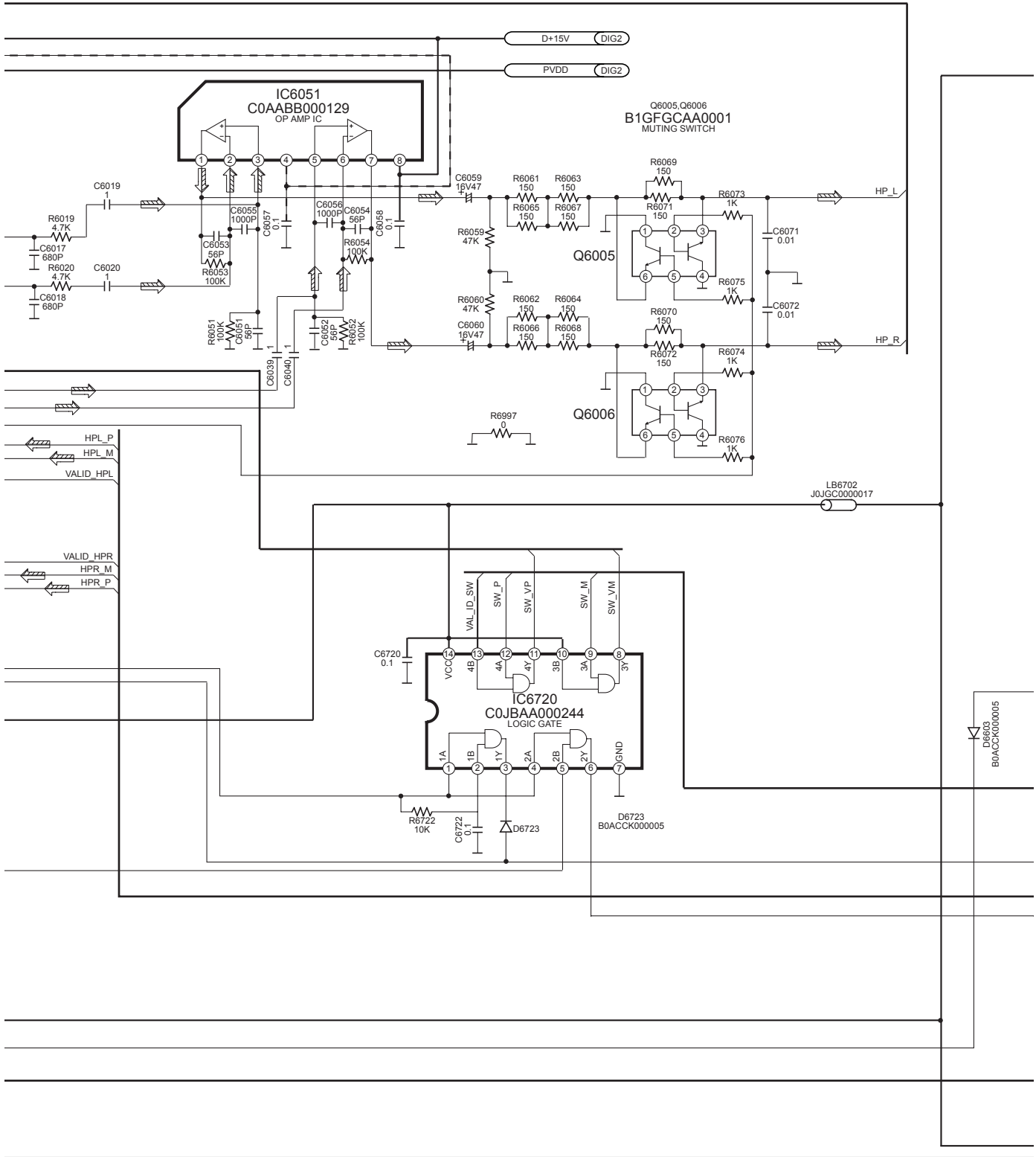
- - - :B SIGNAL LINE
 — :+ B SIGNAL LINE ⇨ : MAIN SIGNAL LINE



SCHEMATIC DIAGRAM -13

B MAIN CIRCUIT

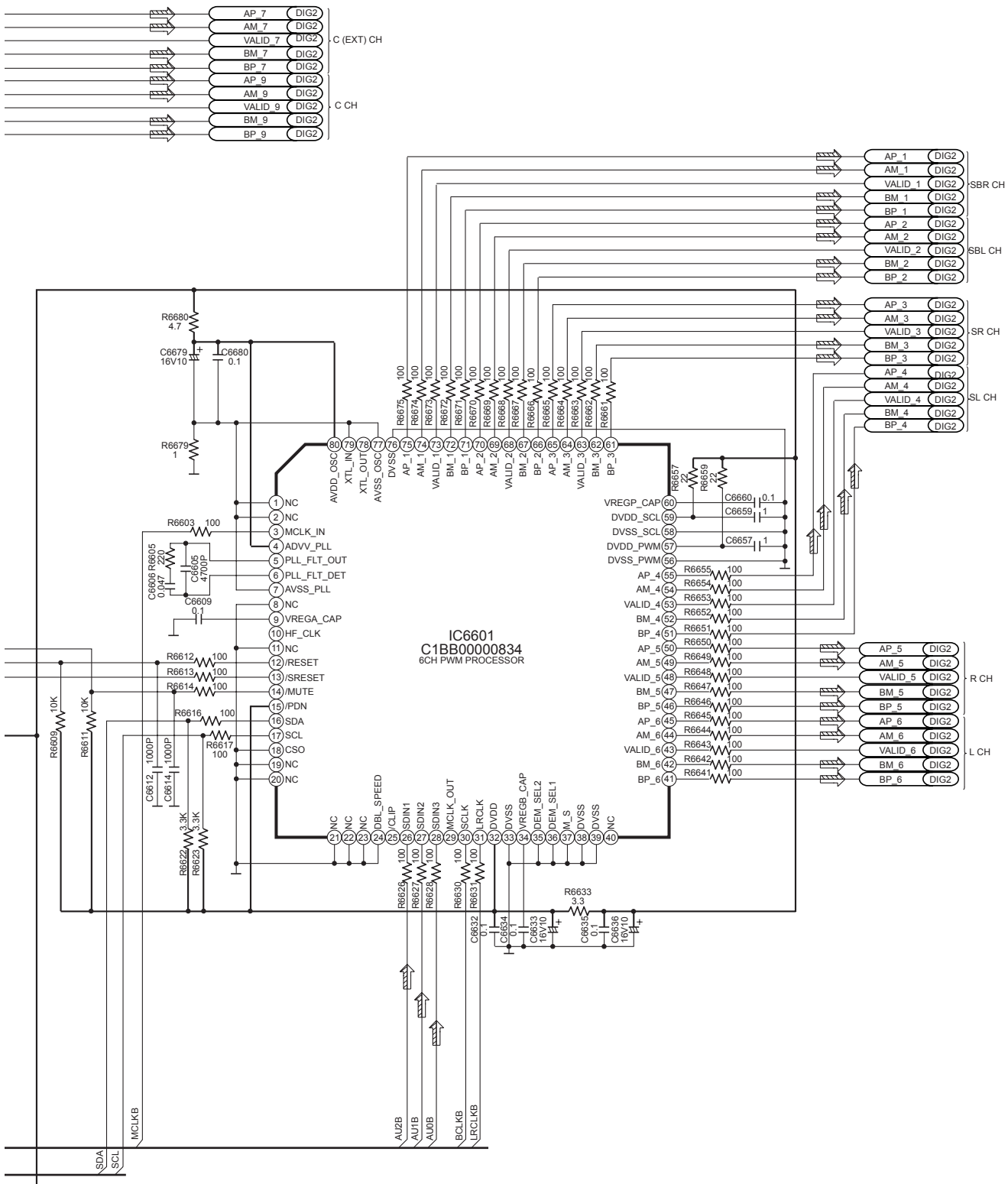
- - - : -B SIGNAL LINE
 ——— : + B SIGNAL LINE ⇨ : MAIN SIGNAL LINE



SCHEMATIC DIAGRAM -15

B MAIN CIRCUIT

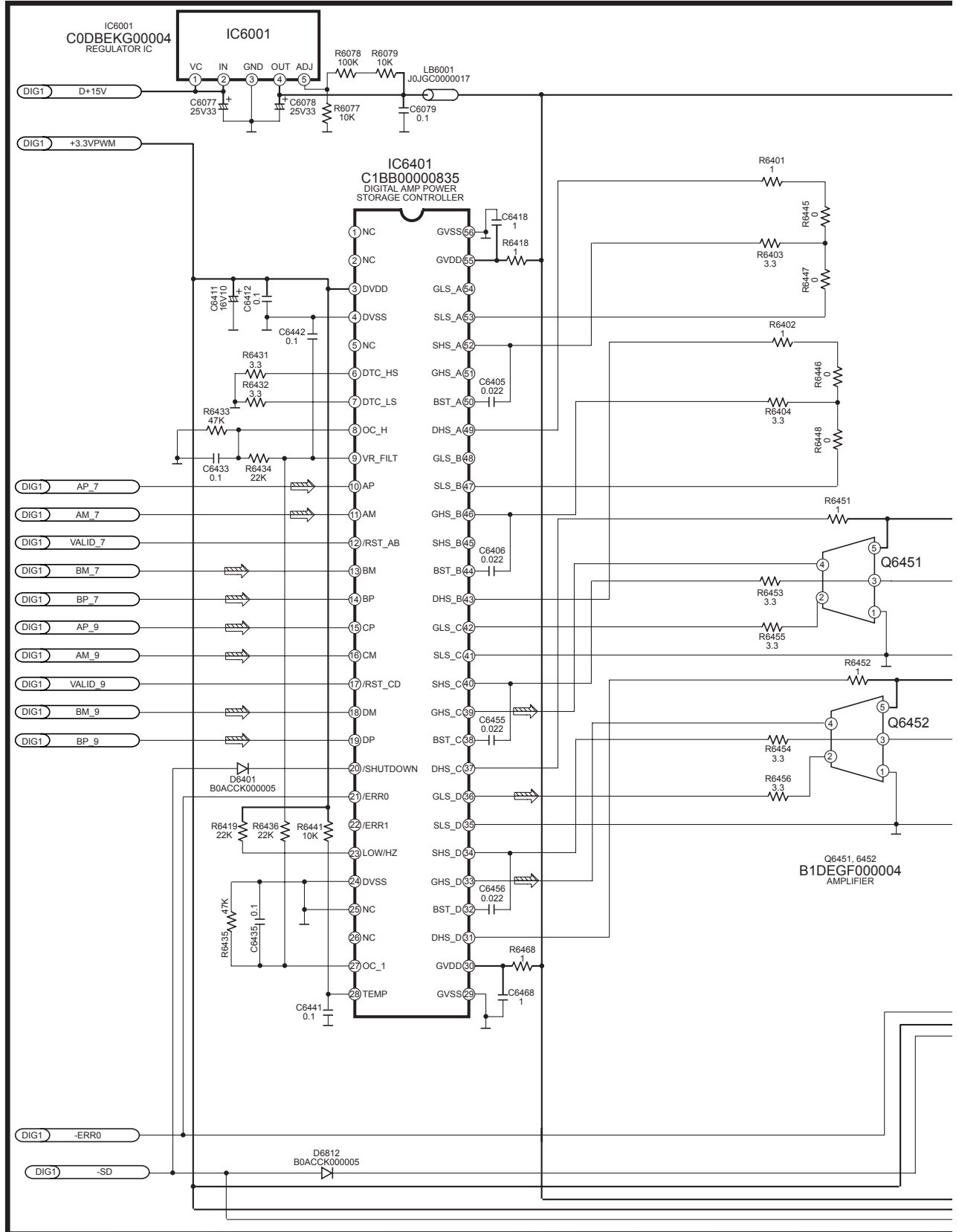
— :+ B SIGNAL LINE ⇨ : MAIN SIGNAL LINE



SCHEMATIC DIAGRAM -16


B MAIN CIRCUIT

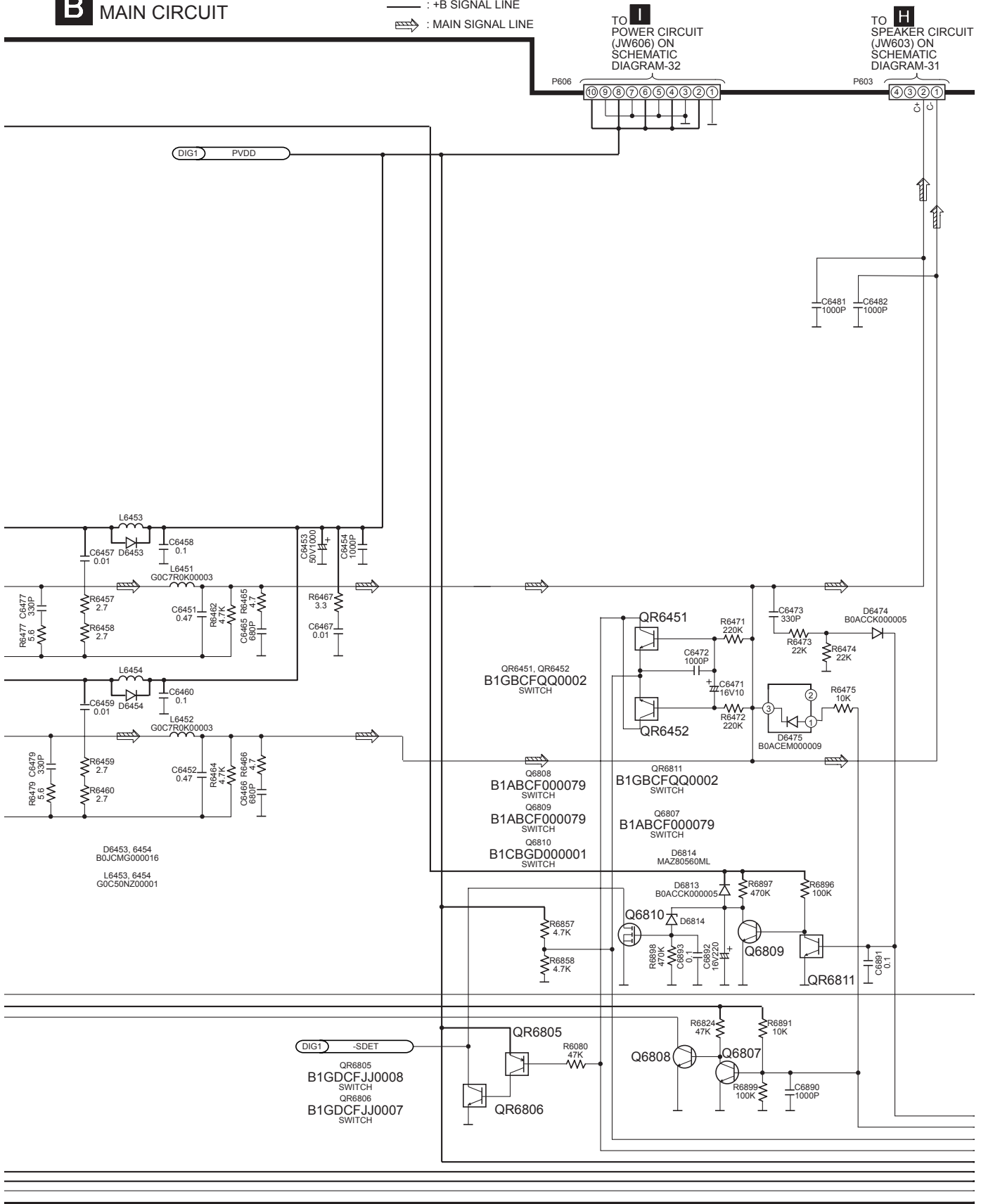
— : +B SIGNAL LINE ⇨ : MAIN SIGNAL LINE



SCHEMATIC DIAGRAM -17

B MAIN CIRCUIT

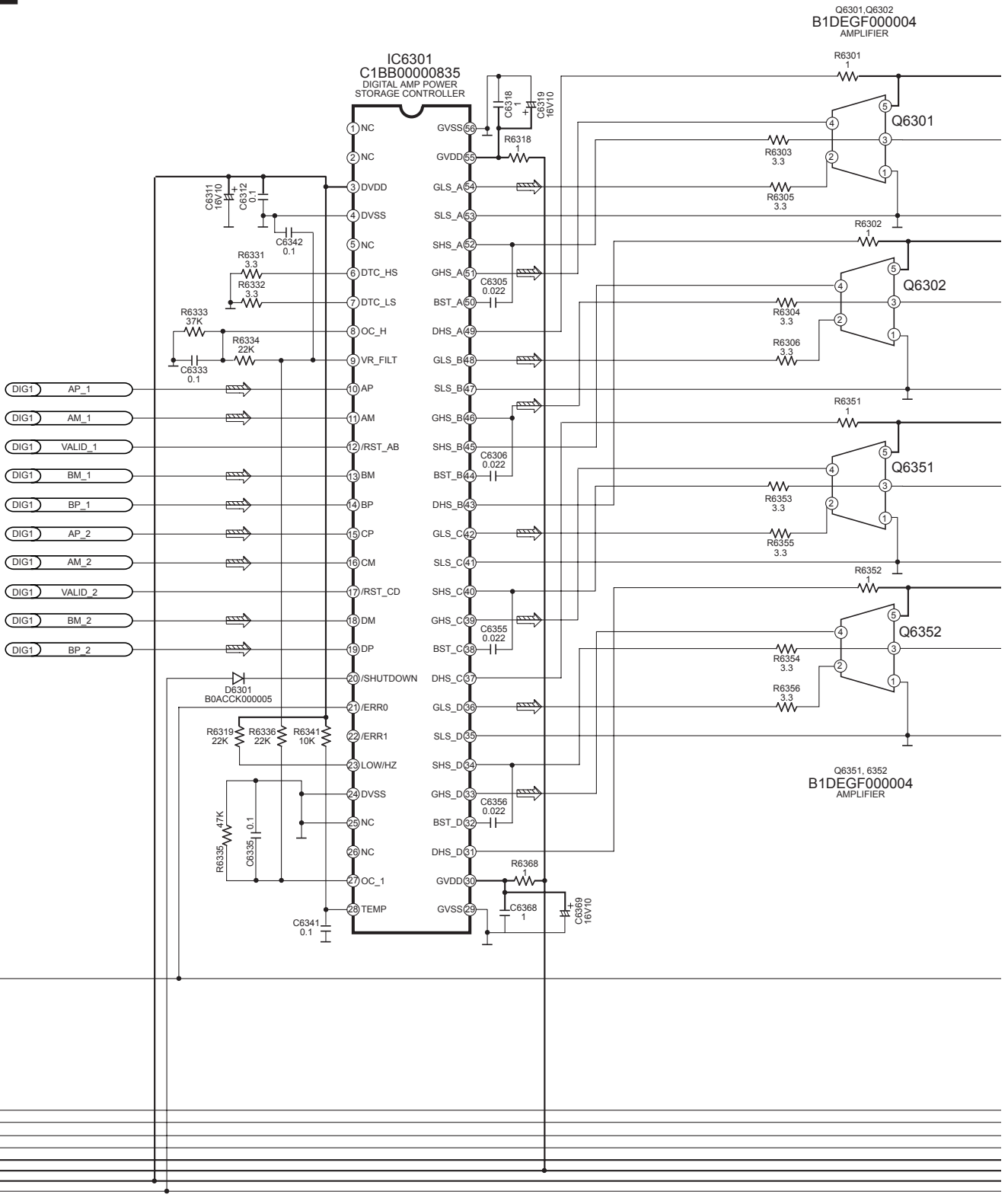
— : +B SIGNAL LINE
 : MAIN SIGNAL LINE



SCHEMATIC DIAGRAM -18

B MAIN CIRCUIT

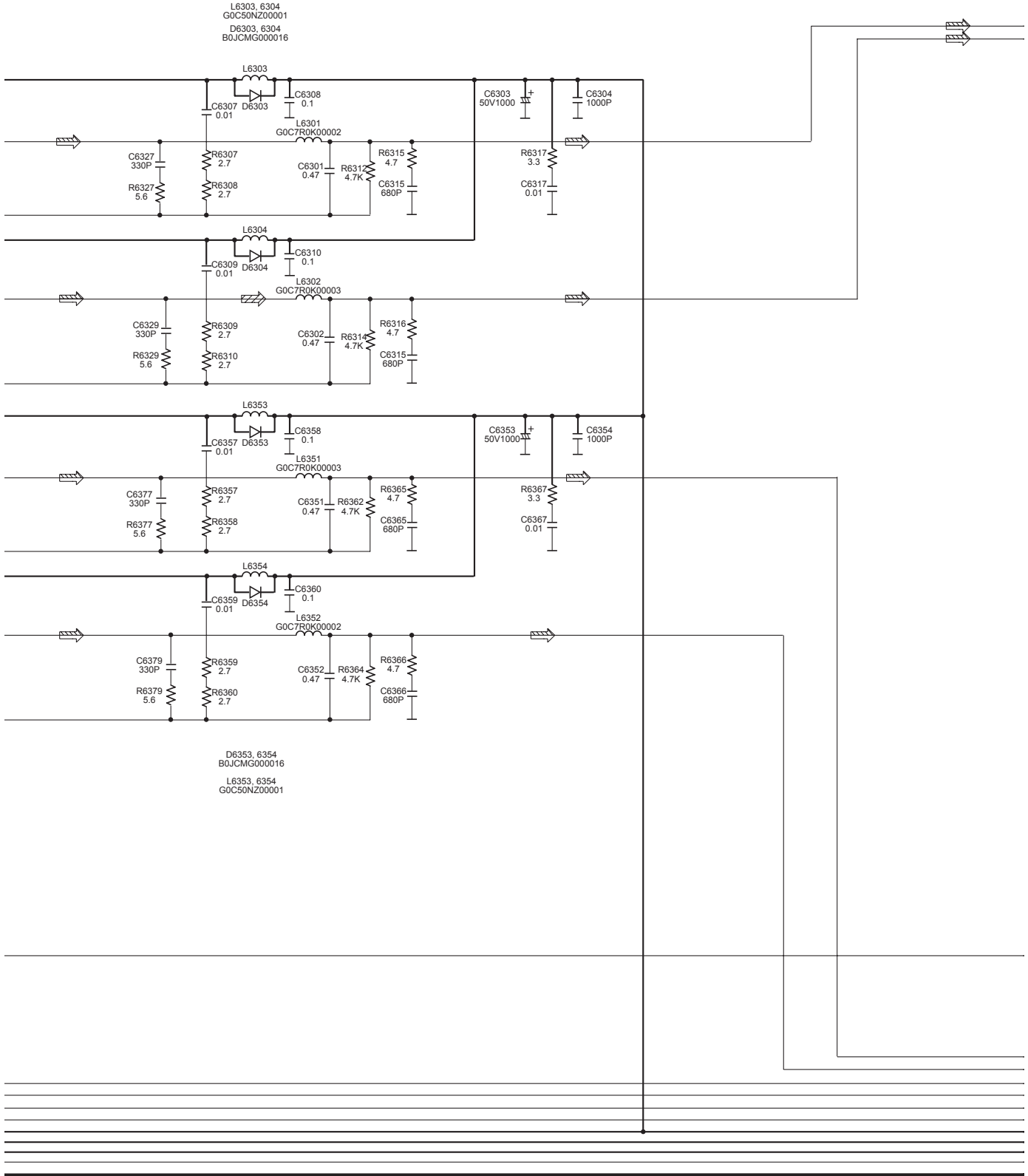
— : +B SIGNAL LINE ⇨ : MAIN SIGNAL LINE



SCHEMATIC DIAGRAM -19

B MAIN CIRCUIT

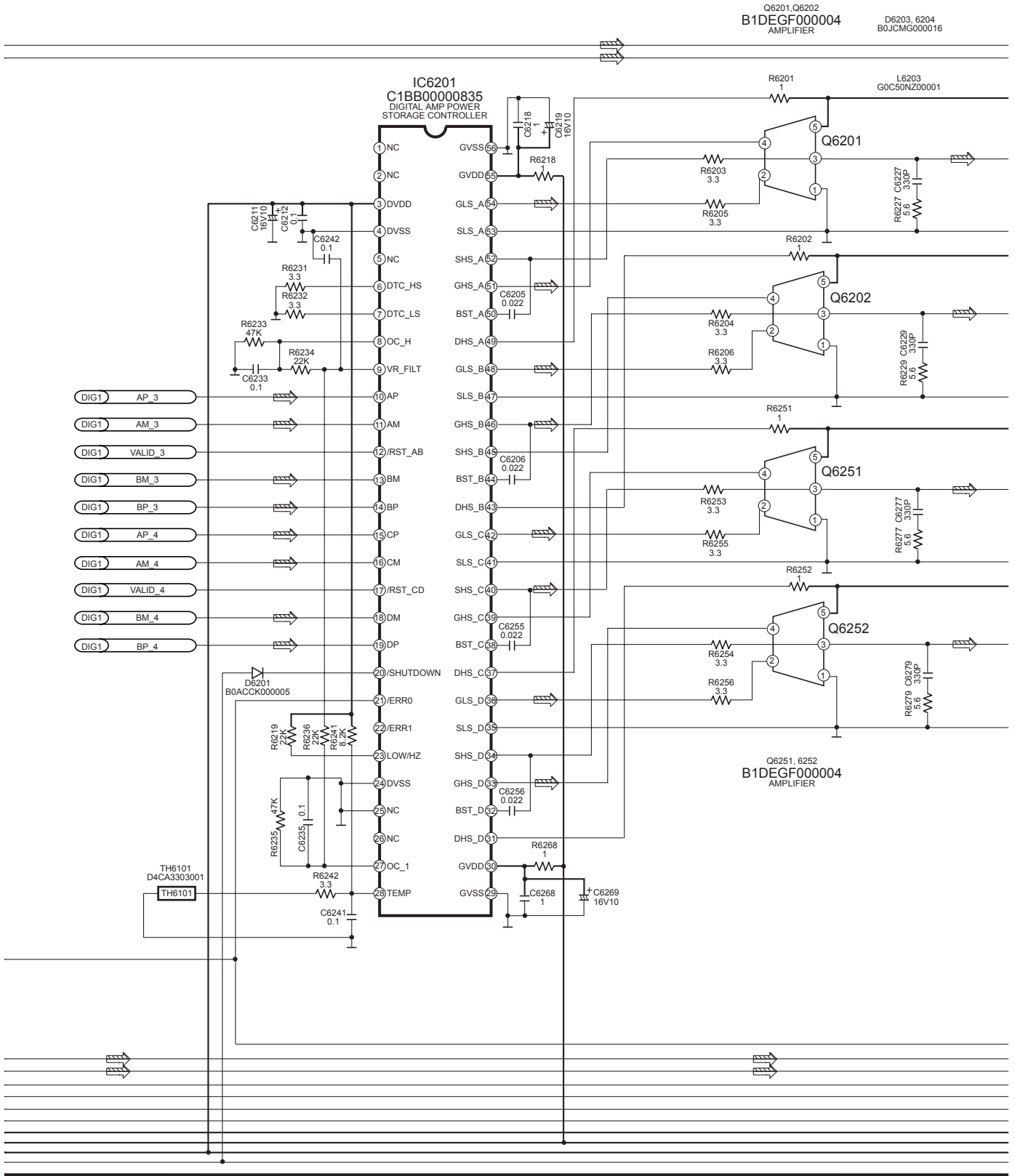
— : +B SIGNAL LINE ⇨ : MAIN SIGNAL LINE



SCHEMATIC DIAGRAM -20

B MAIN CIRCUIT

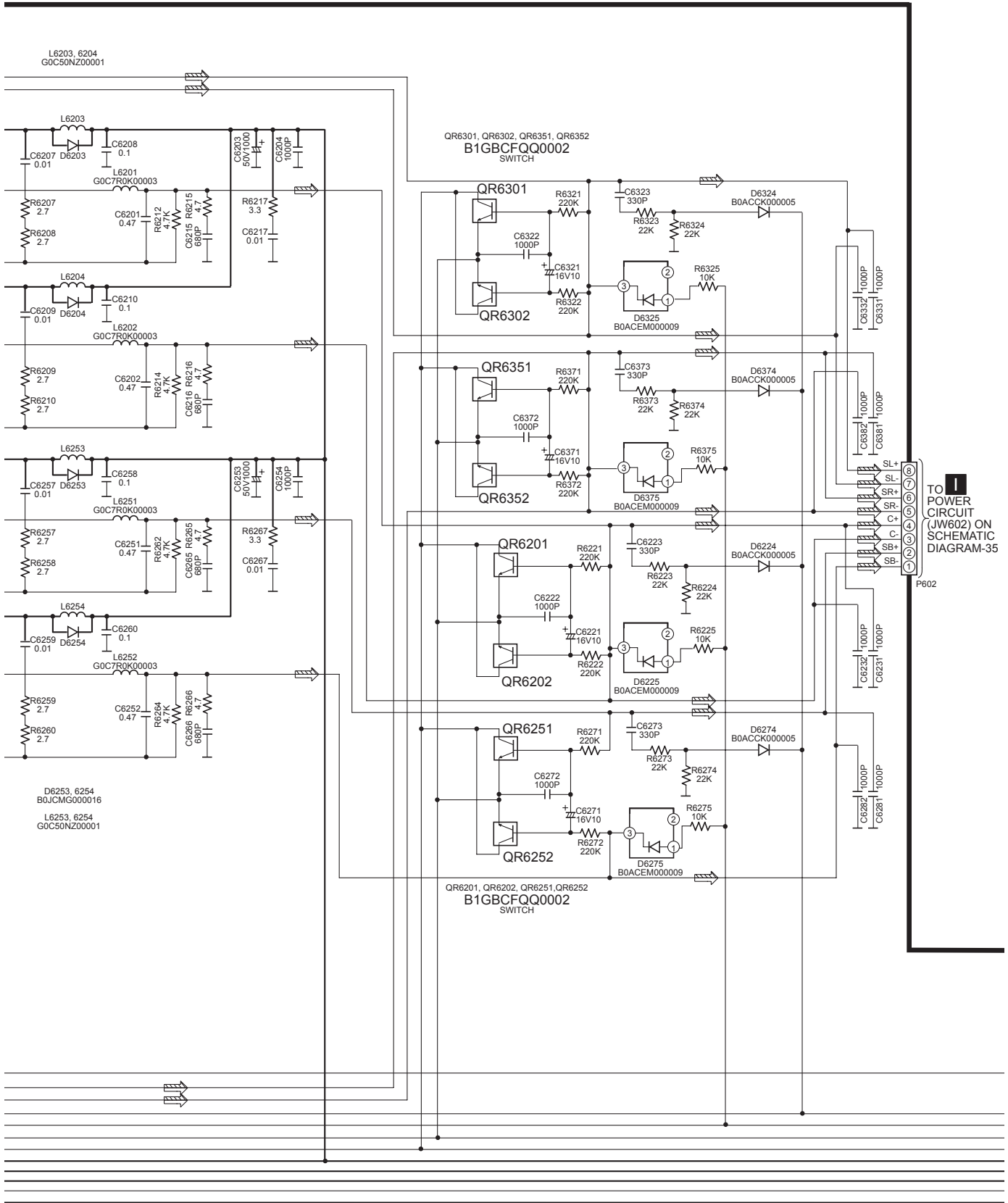
— : +B SIGNAL LINE ⇨ : MAIN SIGNAL LINE



SCHEMATIC DIAGRAM -21

B MAIN CIRCUIT

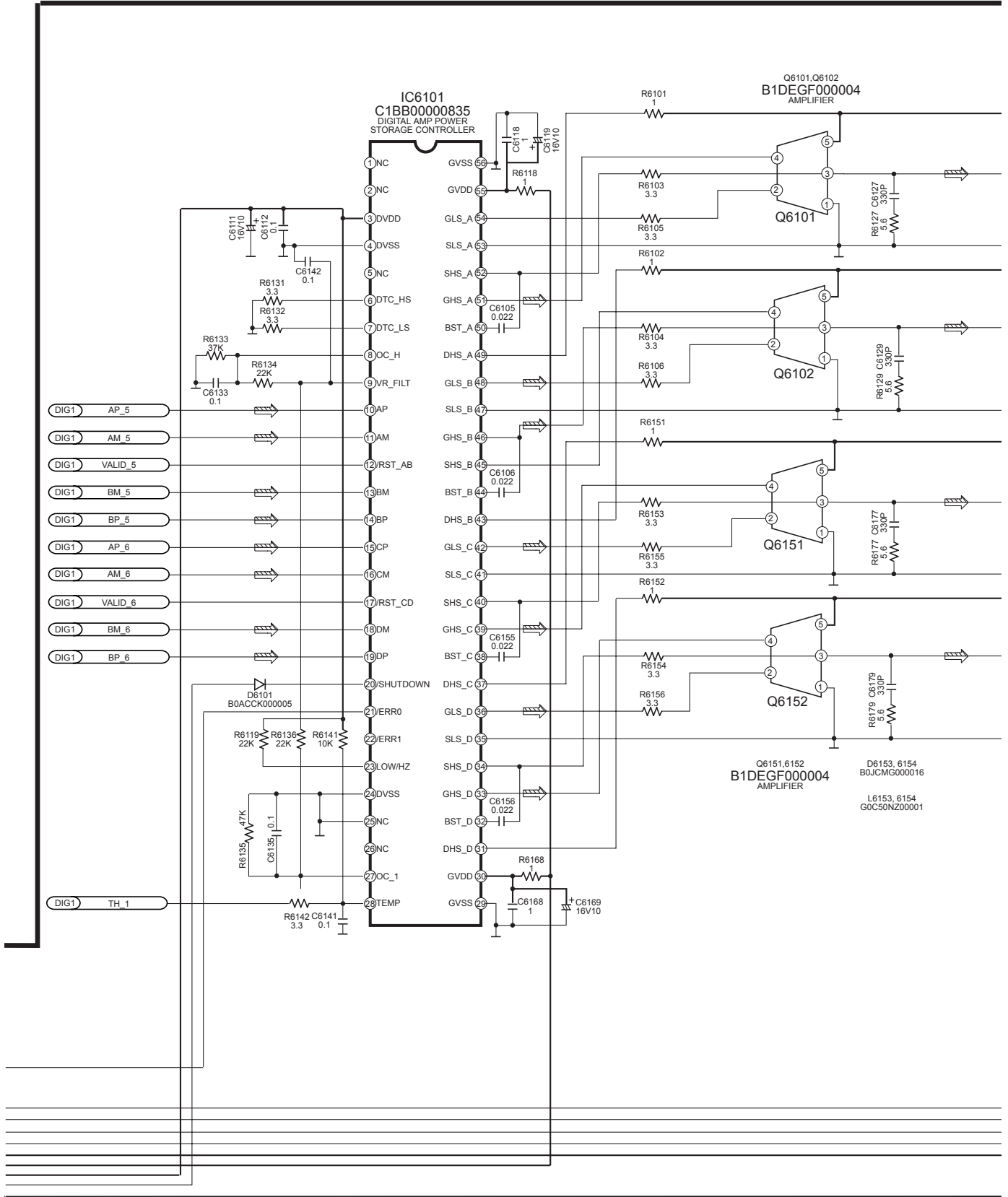
— : +B SIGNAL LINE ⇨ : MAIN SIGNAL LINE



SCHEMATIC DIAGRAM -22

B MAIN CIRCUIT

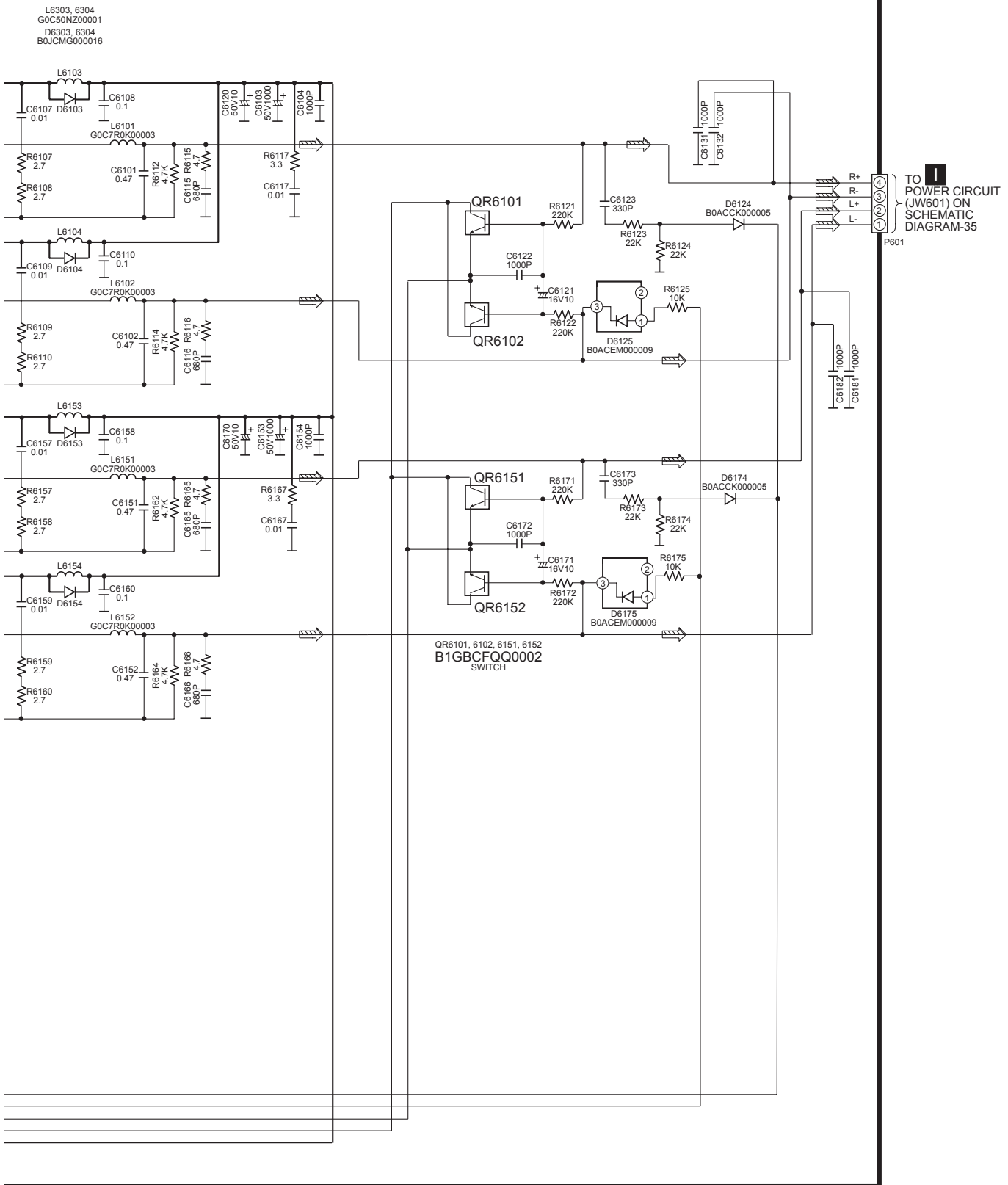
— : +B SIGNAL LINE ⇨ : MAIN SIGNAL LINE



SCHEMATIC DIAGRAM -23

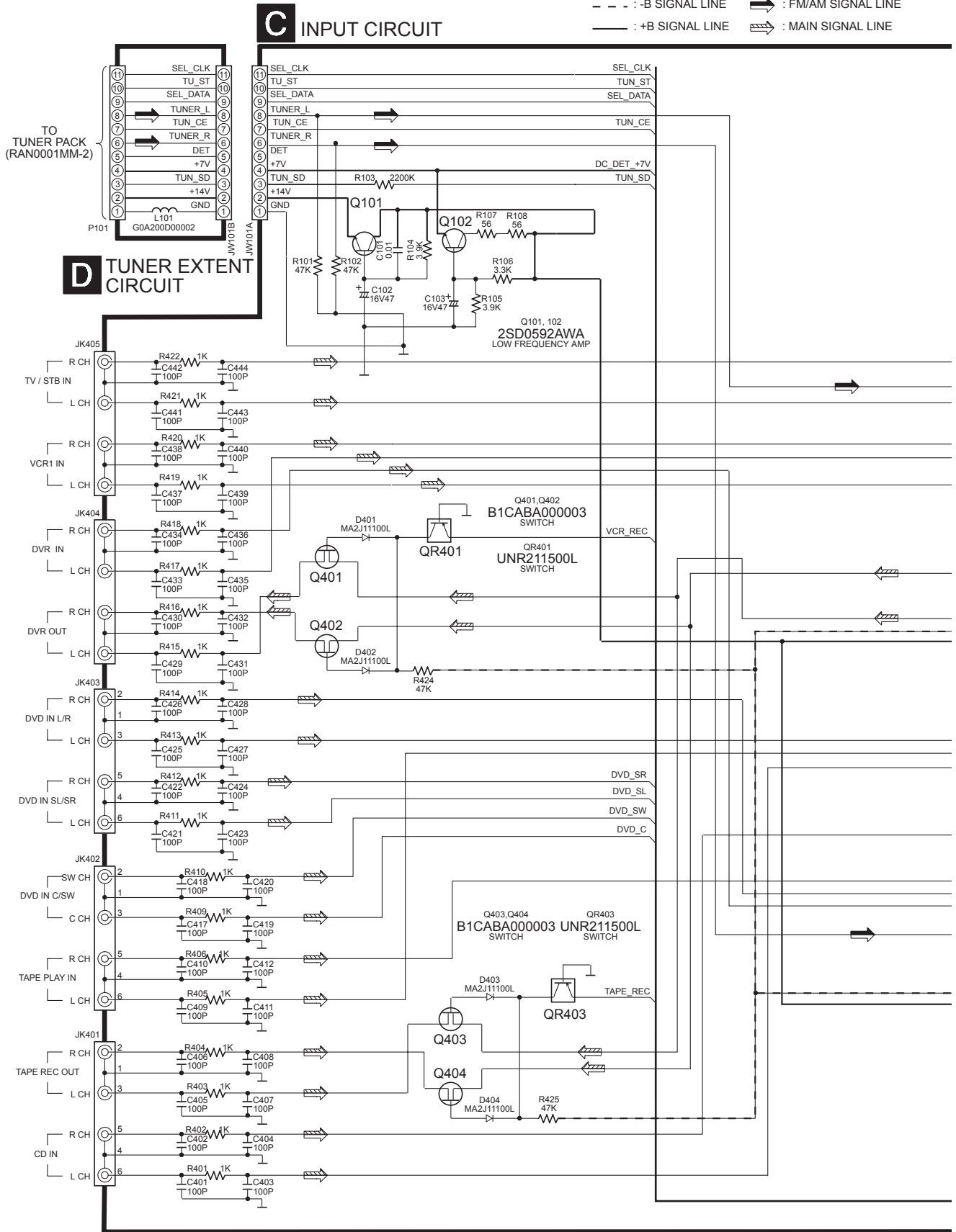
B MAIN CIRCUIT

— : +B SIGNAL LINE ⇨ : MAIN SIGNAL LINE



12.3. Input Circuit & Tuner Extent Circuit

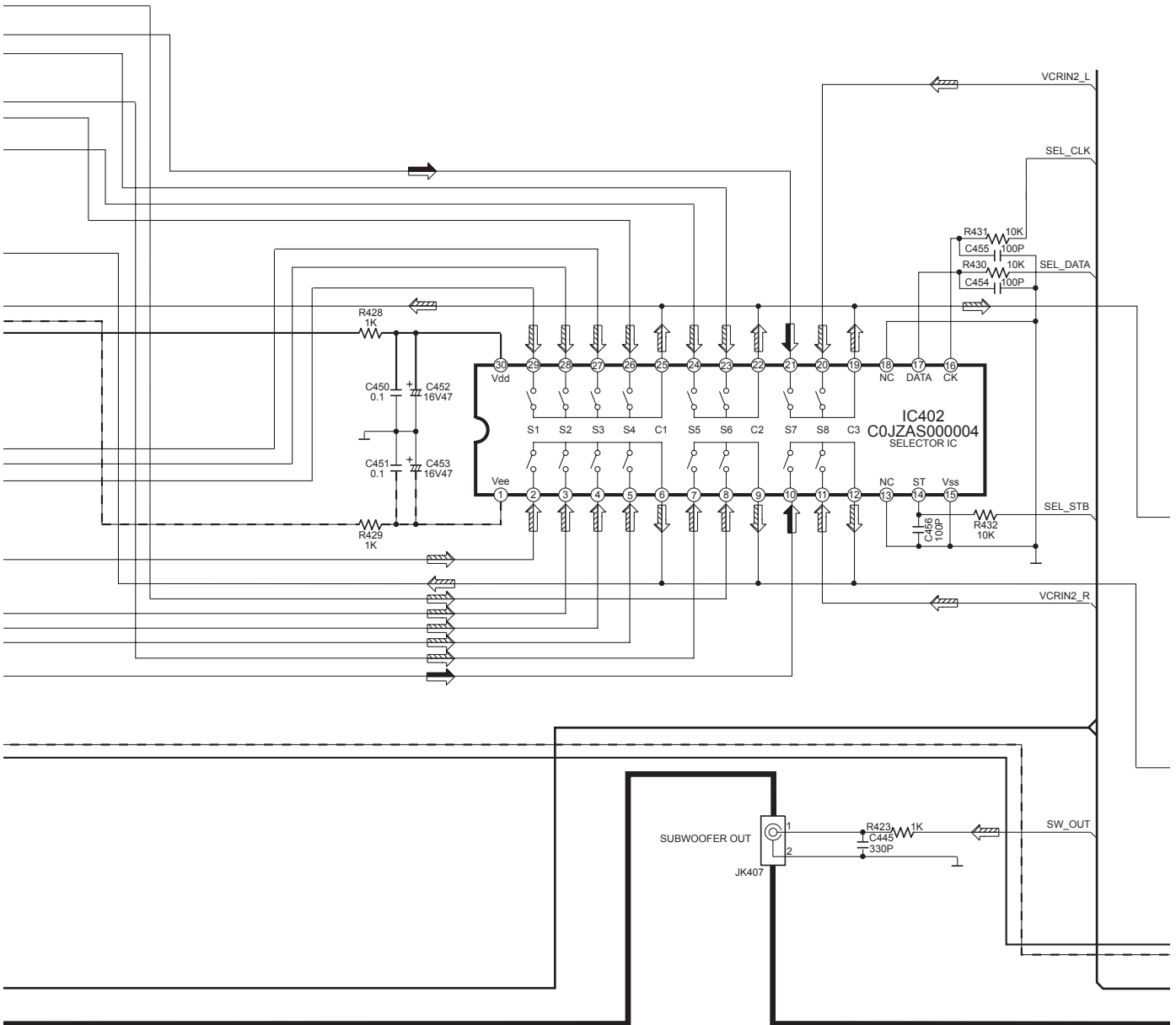
SCHEMATIC DIAGRAM -24



SCHEMATIC DIAGRAM -25

C INPUT CIRCUIT

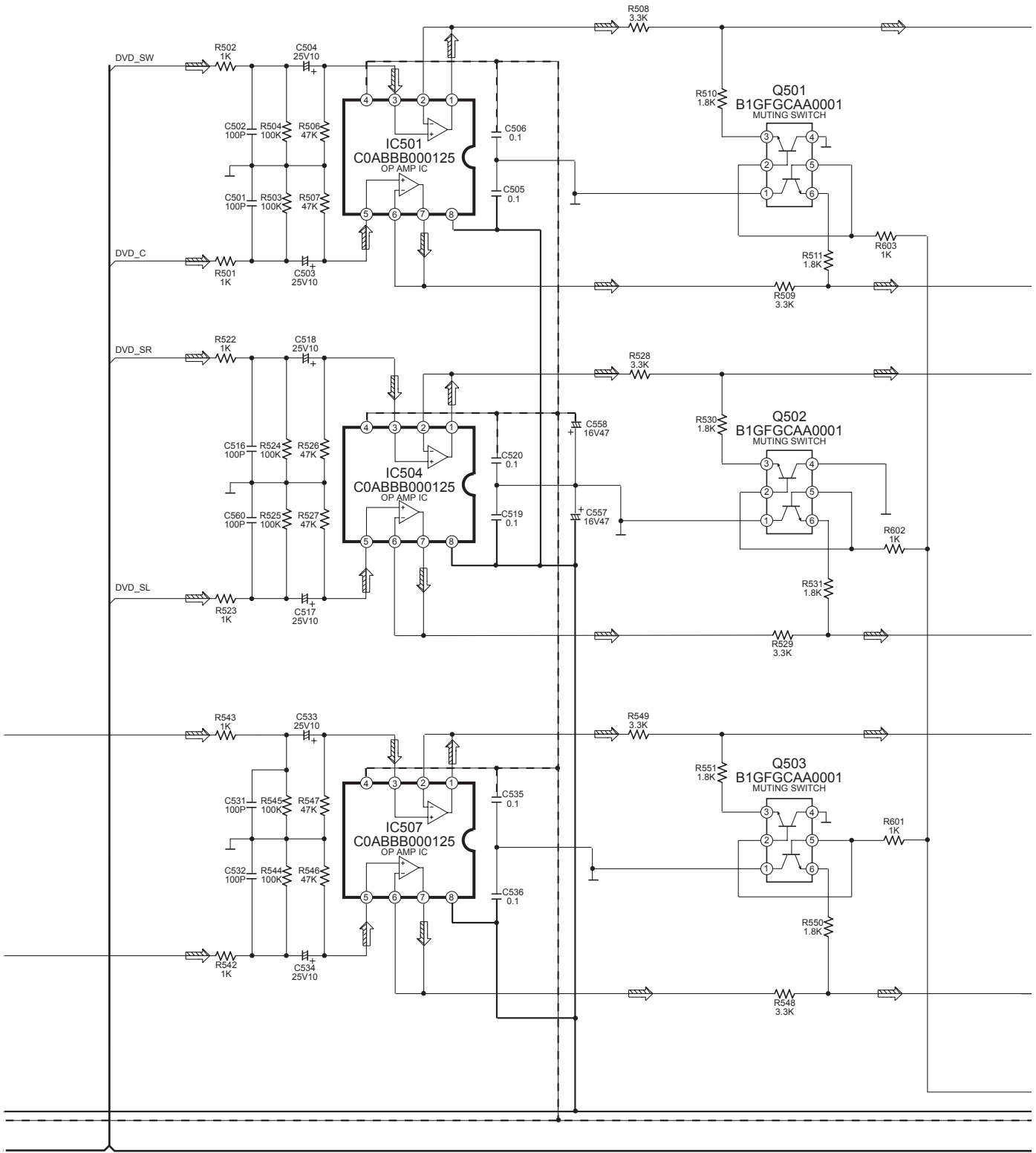
--- : -B SIGNAL LINE  : FM/AM SIGNAL LINE
 ——— : +B SIGNAL LINE  : MAIN SIGNAL LINE



SCHEMATIC DIAGRAM -26

C INPUT CIRCUIT

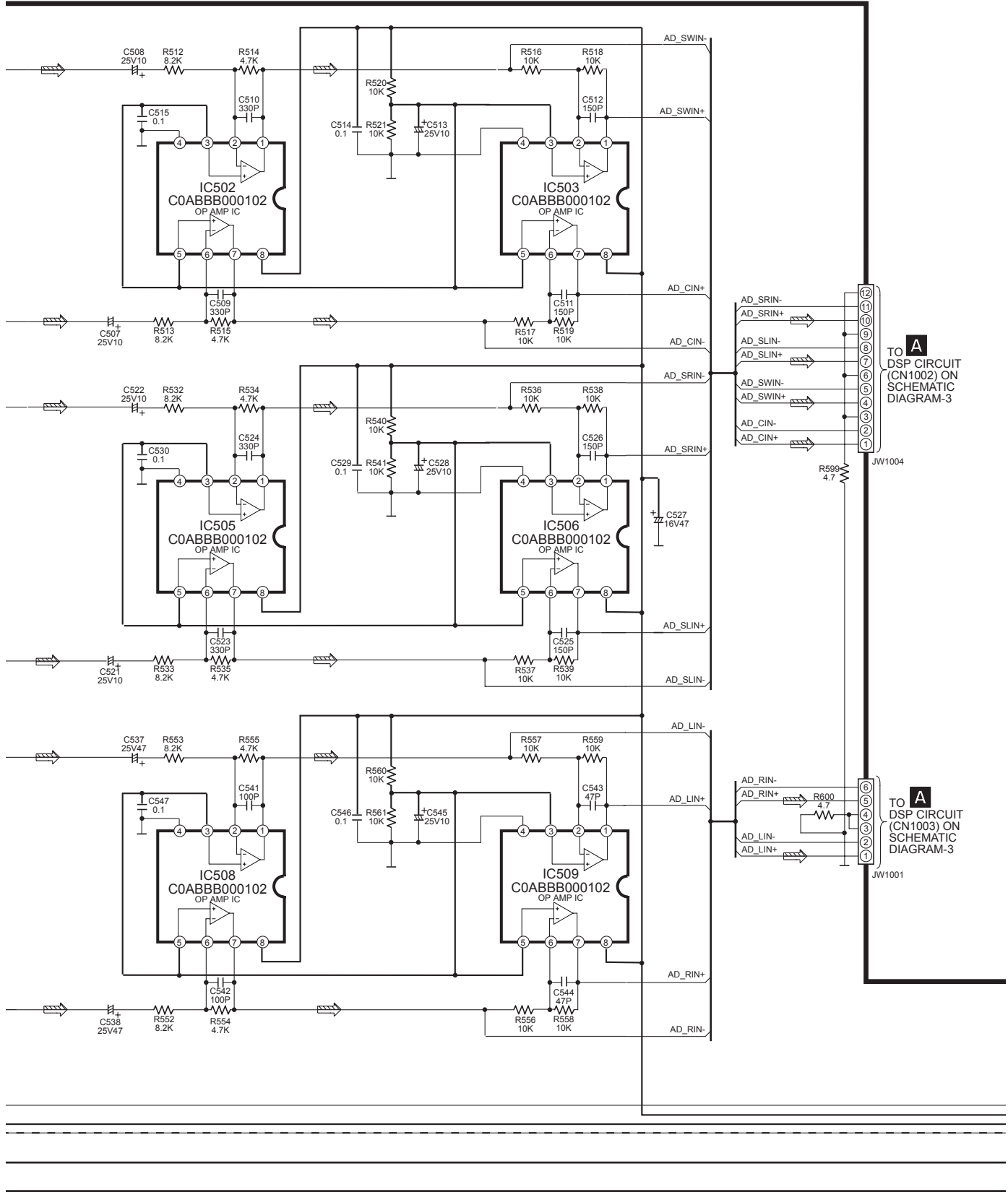
- - - : -B SIGNAL LINE
 ——— : +B SIGNAL LINE ⇨ : MAIN SIGNAL LINE



SCHEMATIC DIAGRAM -27

C INPUT CIRCUIT

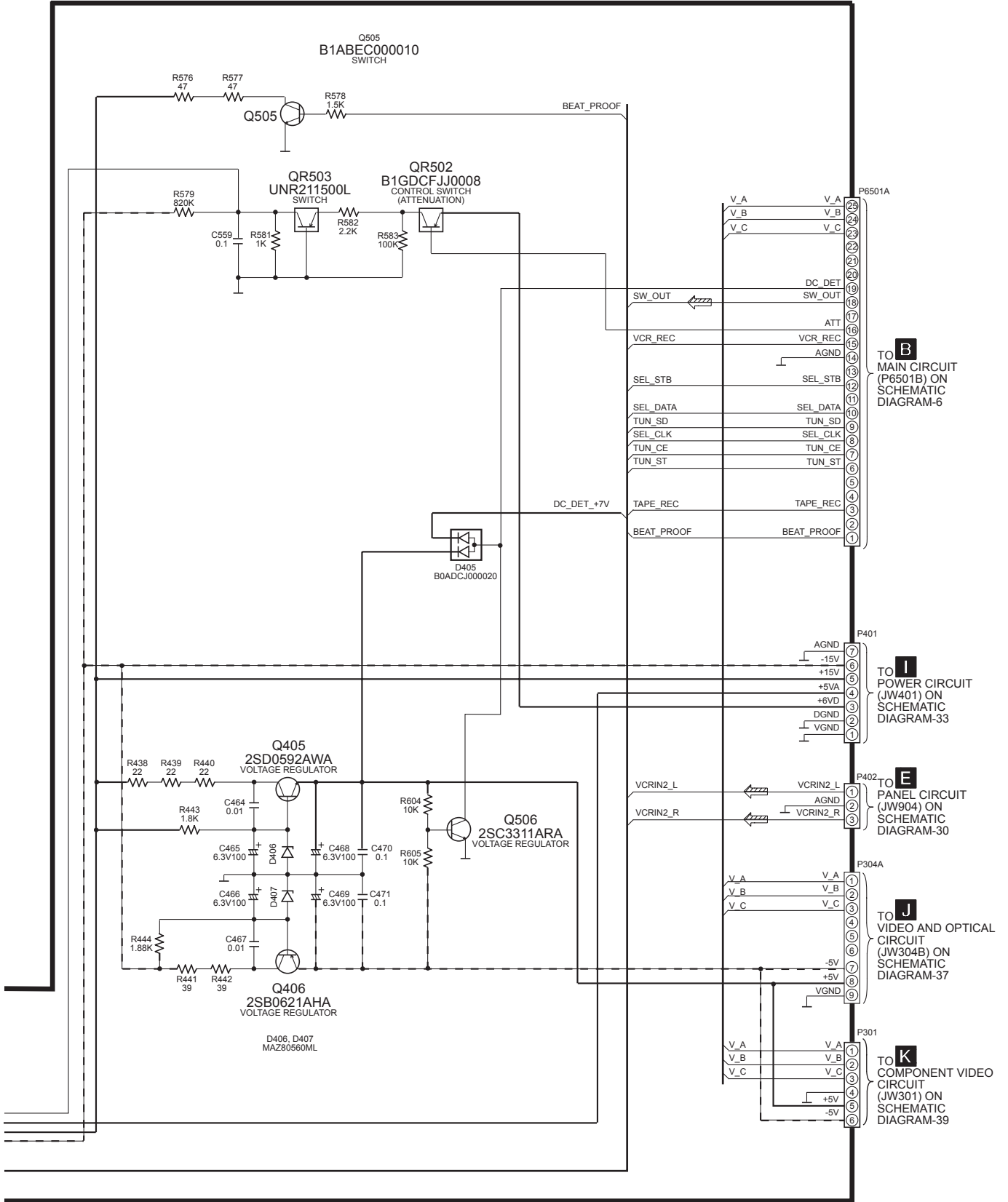
--- : -B SIGNAL LINE
 — : +B SIGNAL LINE ⇒ : MAIN SIGNAL LINE



SCHEMATIC DIAGRAM -28

C INPUT CIRCUIT

--- : -B SIGNAL LINE
 — : +B SIGNAL LINE ⇨ : MAIN SIGNAL LINE

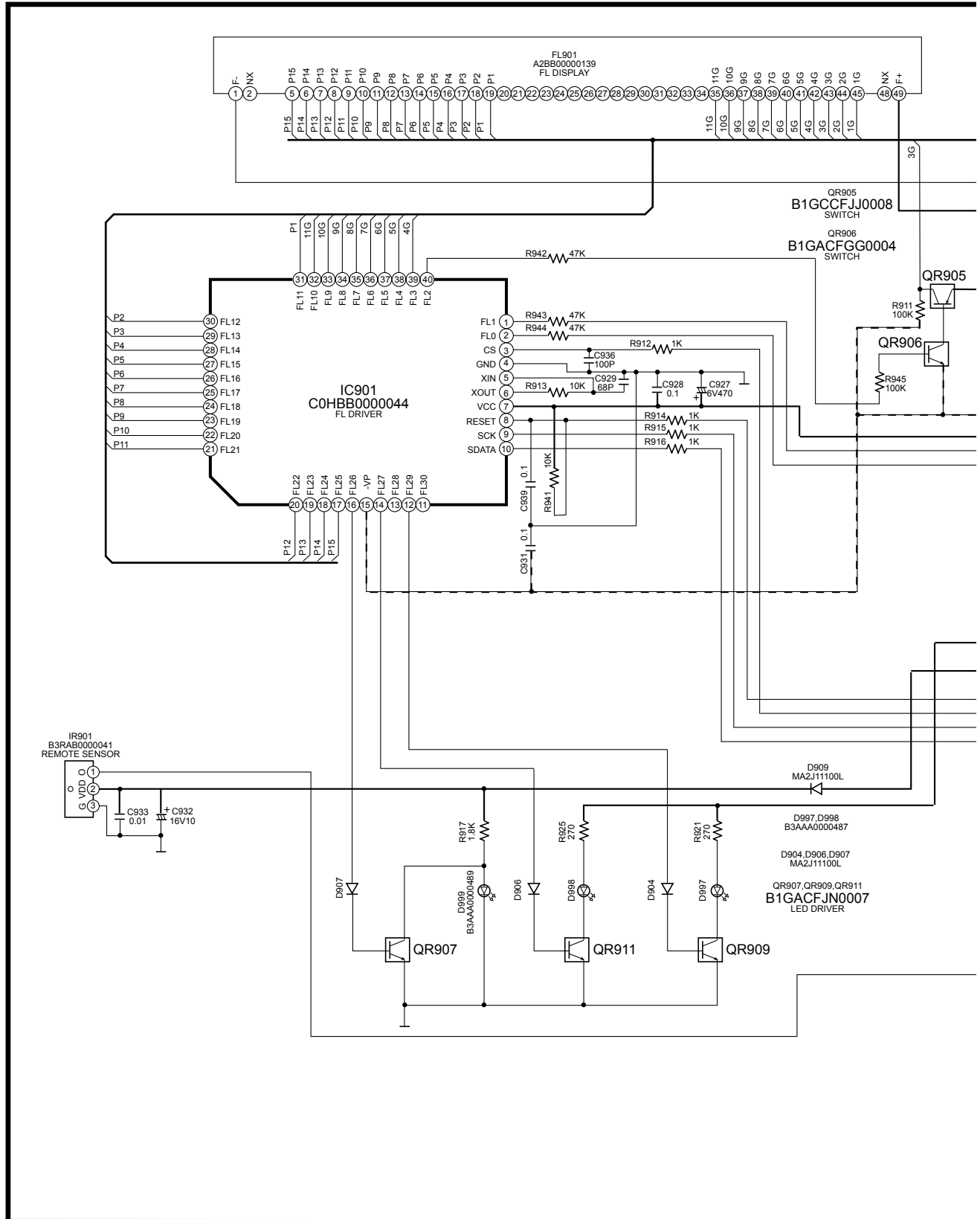


12.4. Panel Circuit

SCHEMATIC DIAGRAM -29

E PANEL CIRCUIT

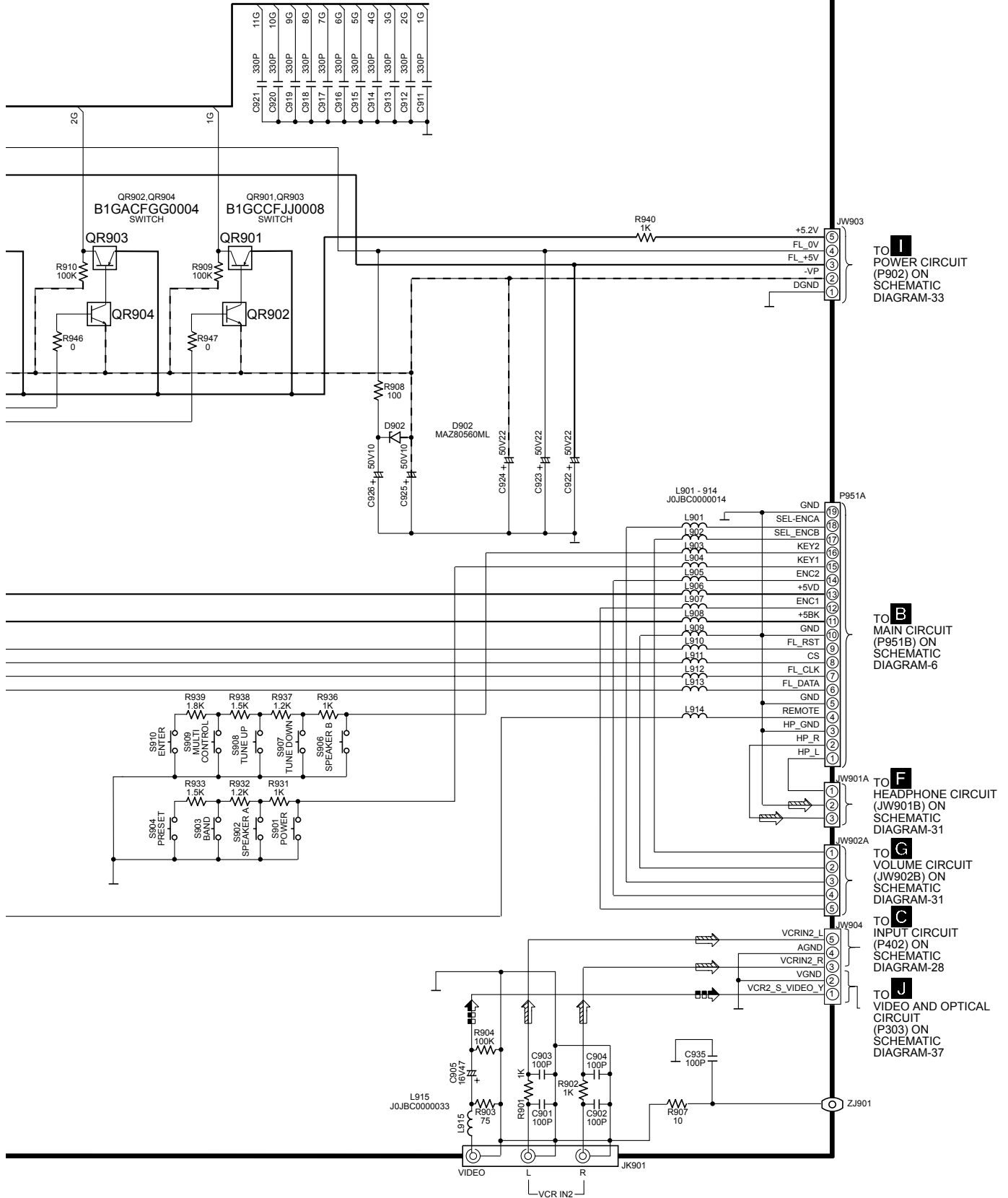
- - - : -B SIGNAL LINE
 ——— : +B SIGNAL LINE



SCHEMATIC DIAGRAM -30

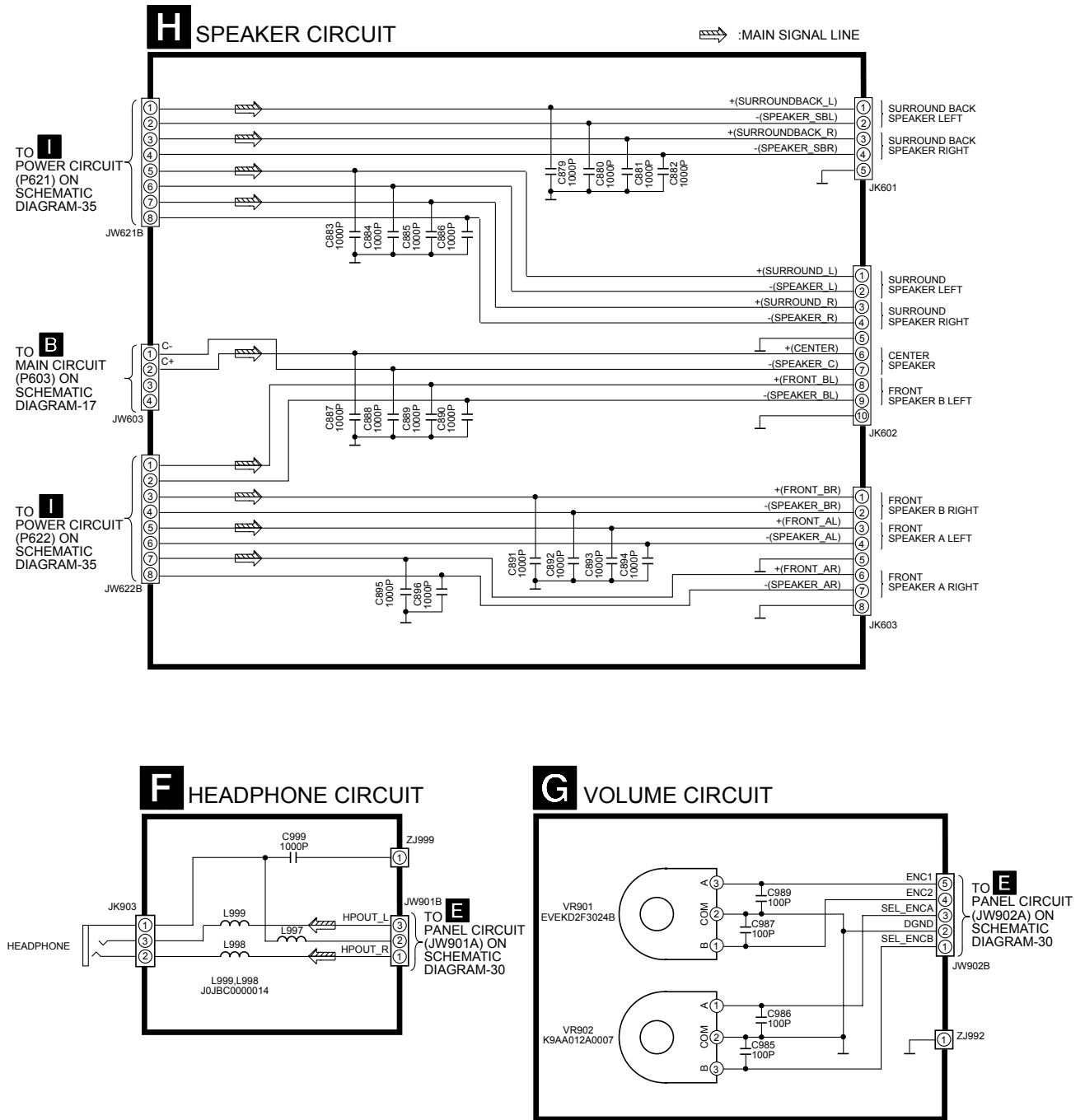
E PANEL CIRCUIT

--- : -B SIGNAL LINE ⇨ : MAIN SIGNAL LINE
 — : +B SIGNAL LINE ⇨⇨ : VIDEO SIGNAL LINE



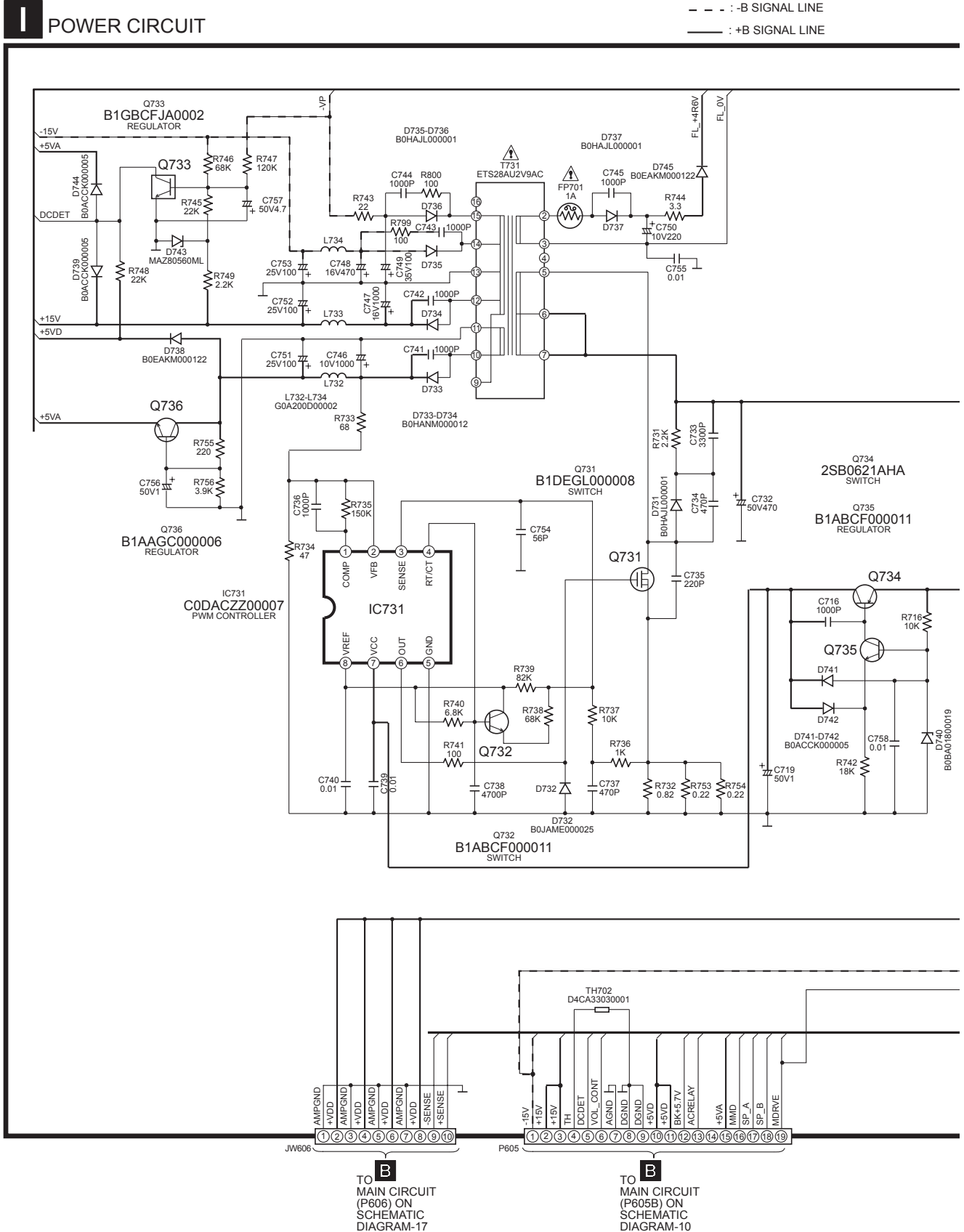
12.5. Speaker Circuit, Headphone Circuit & Volume Circuit

SCHEMATIC DIAGRAM -31



12.6. Power Circuit

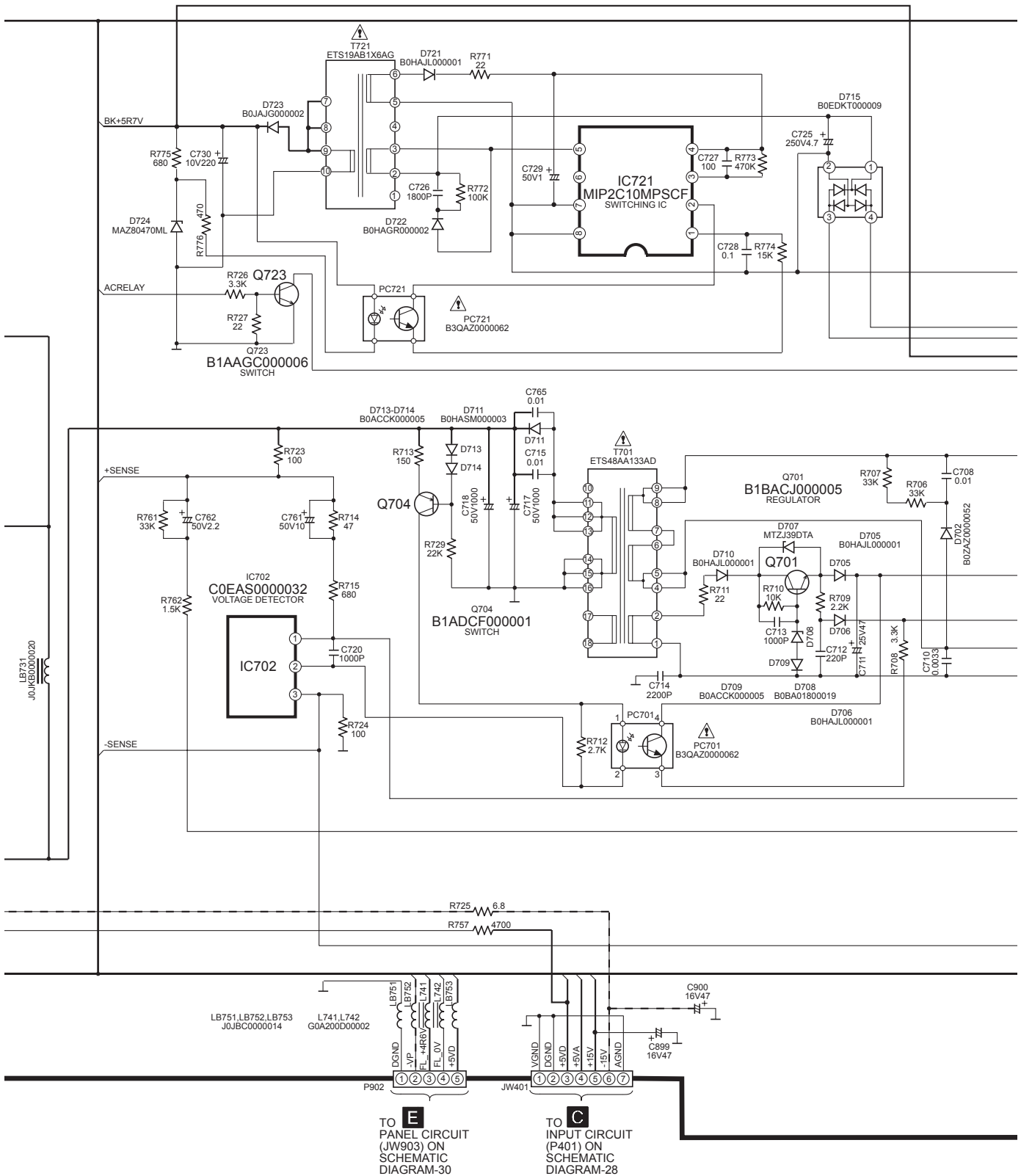
SCHEMATIC DIAGRAM -32



SCHEMATIC DIAGRAM -33

I POWER CIRCUIT

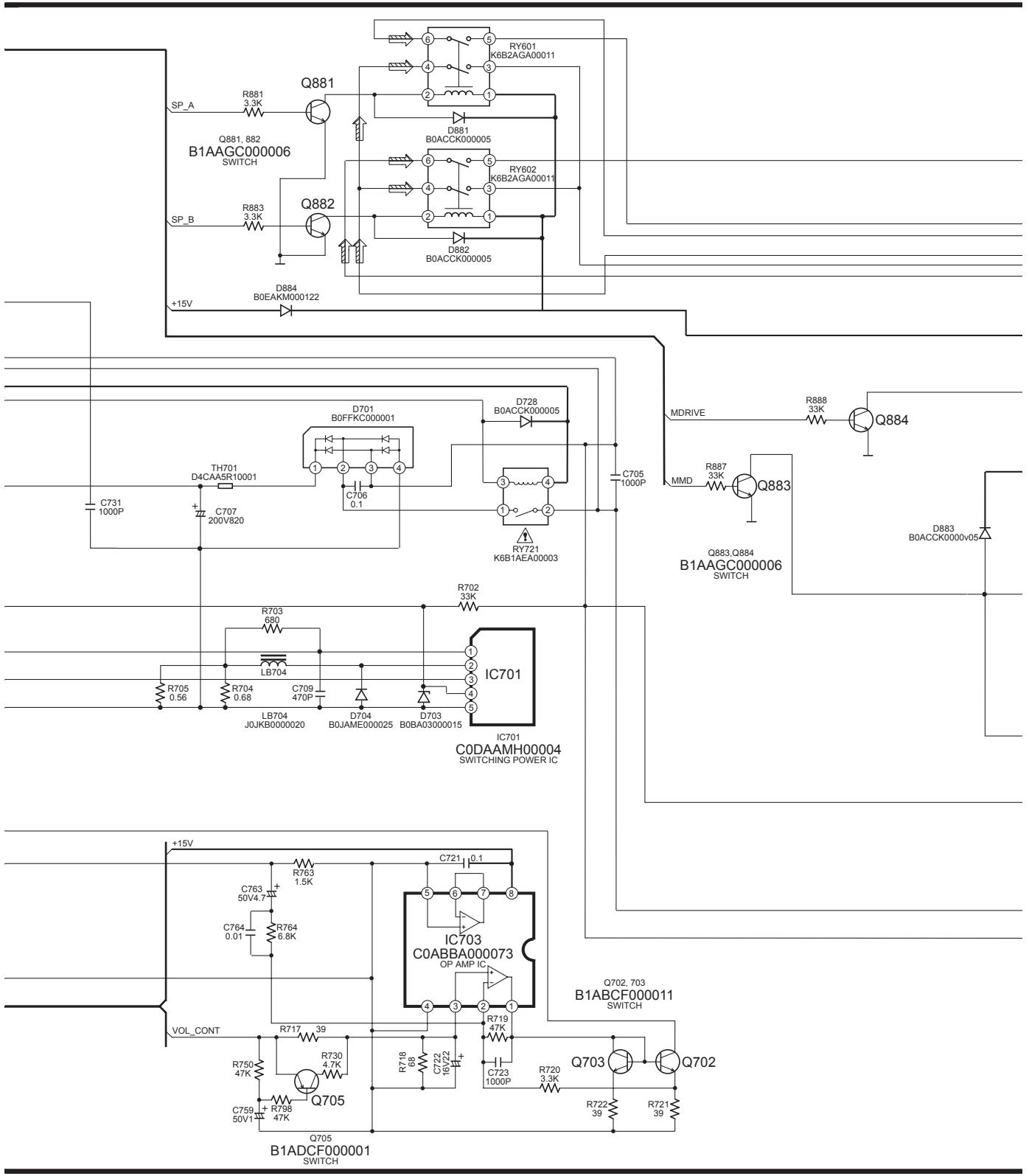
- - - - : -B SIGNAL LINE
 ——— : +B SIGNAL LINE



SCHEMATIC DIAGRAM -34

I POWER CIRCUIT

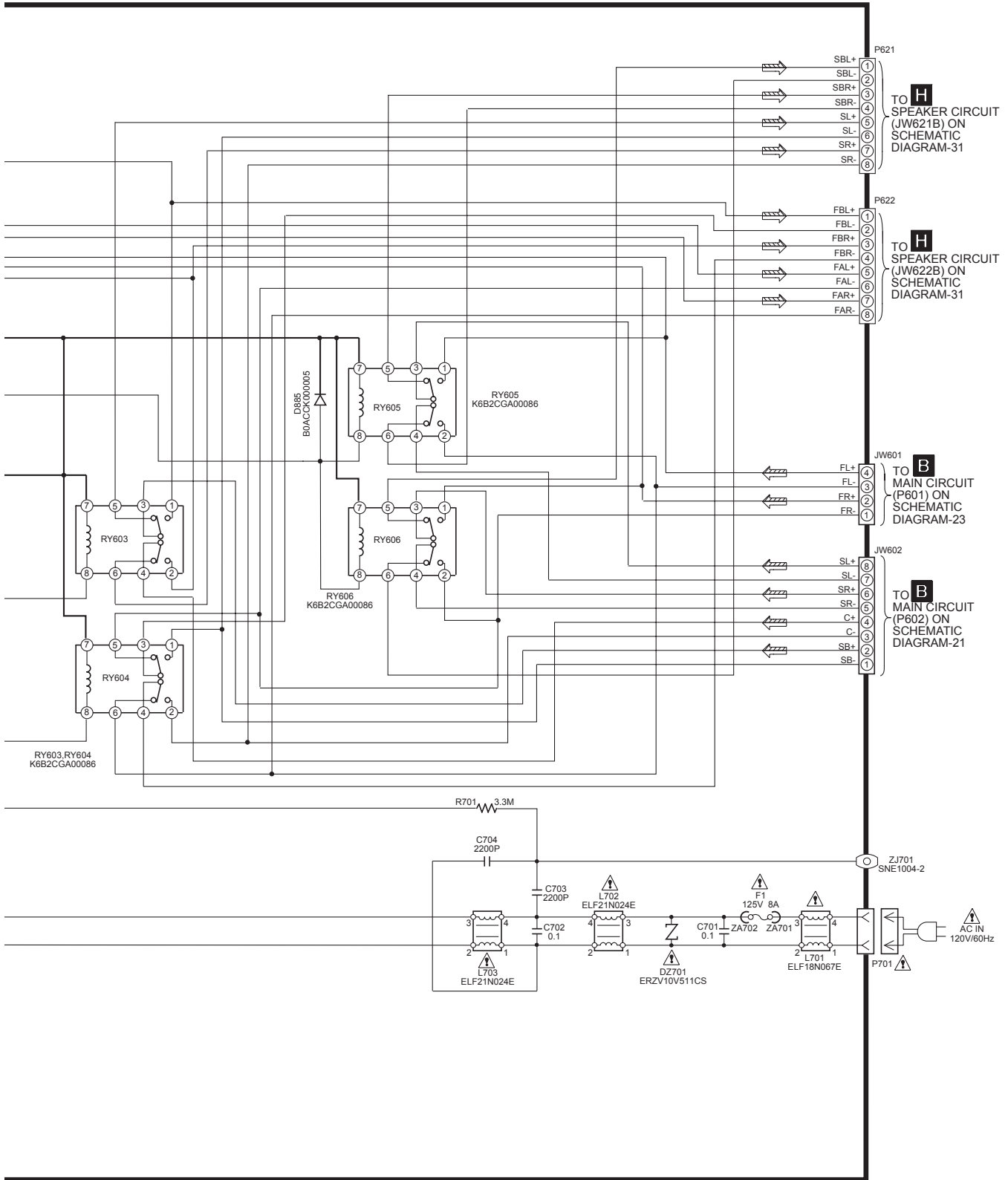
— : +B SIGNAL LINE ⇨ : MAIN SIGNAL LINE



SCHEMATIC DIAGRAM -35

I POWER CIRCUIT

— : +B SIGNAL LINE ⇨ : MAIN SIGNAL LINE



12.7. Video and Optical Circuit

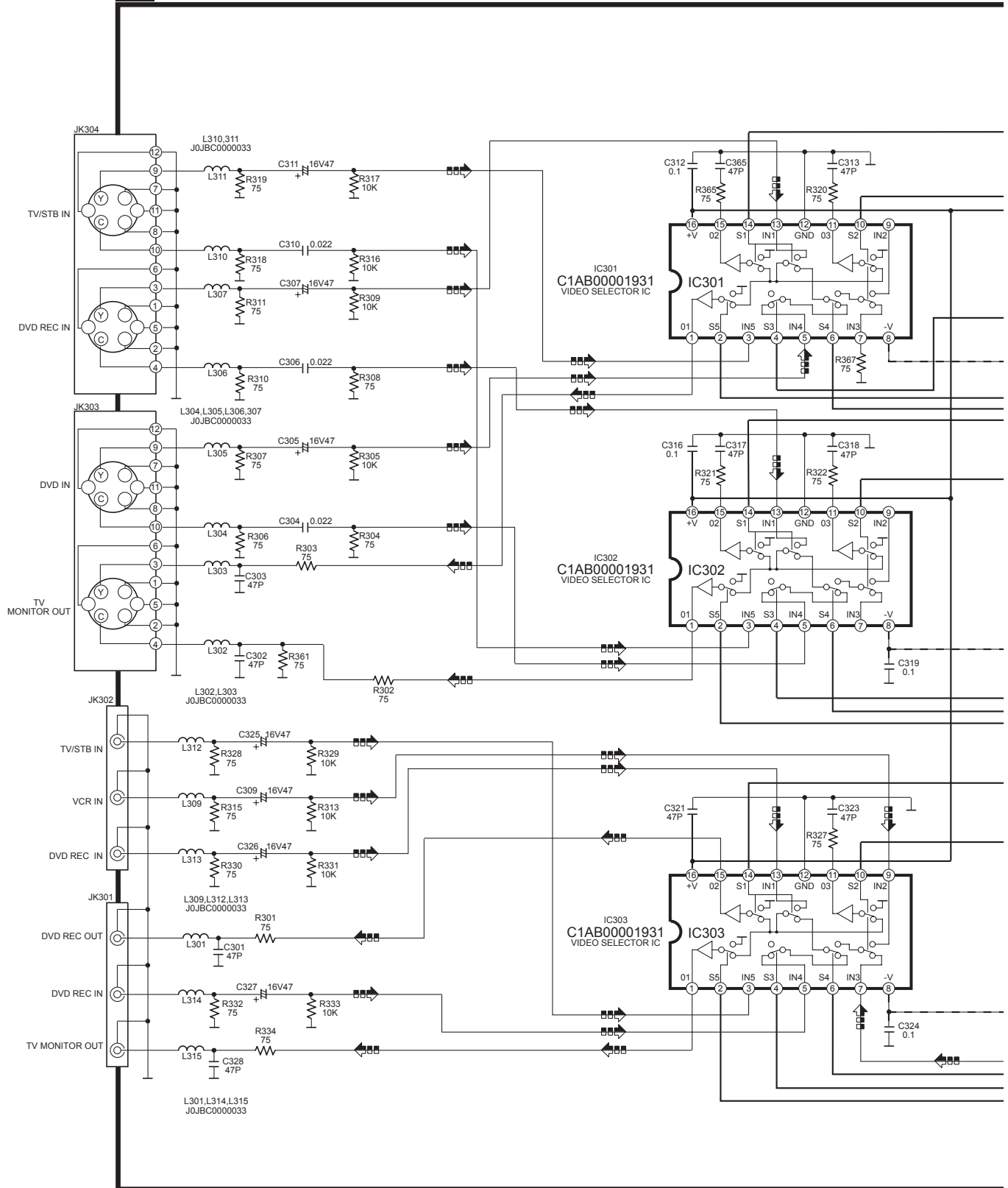
SCHEMATIC DIAGRAM -36

J VIDEO AND OPTICAL CIRCUIT

- - - : -B SIGNAL LINE

— : +B SIGNAL LINE

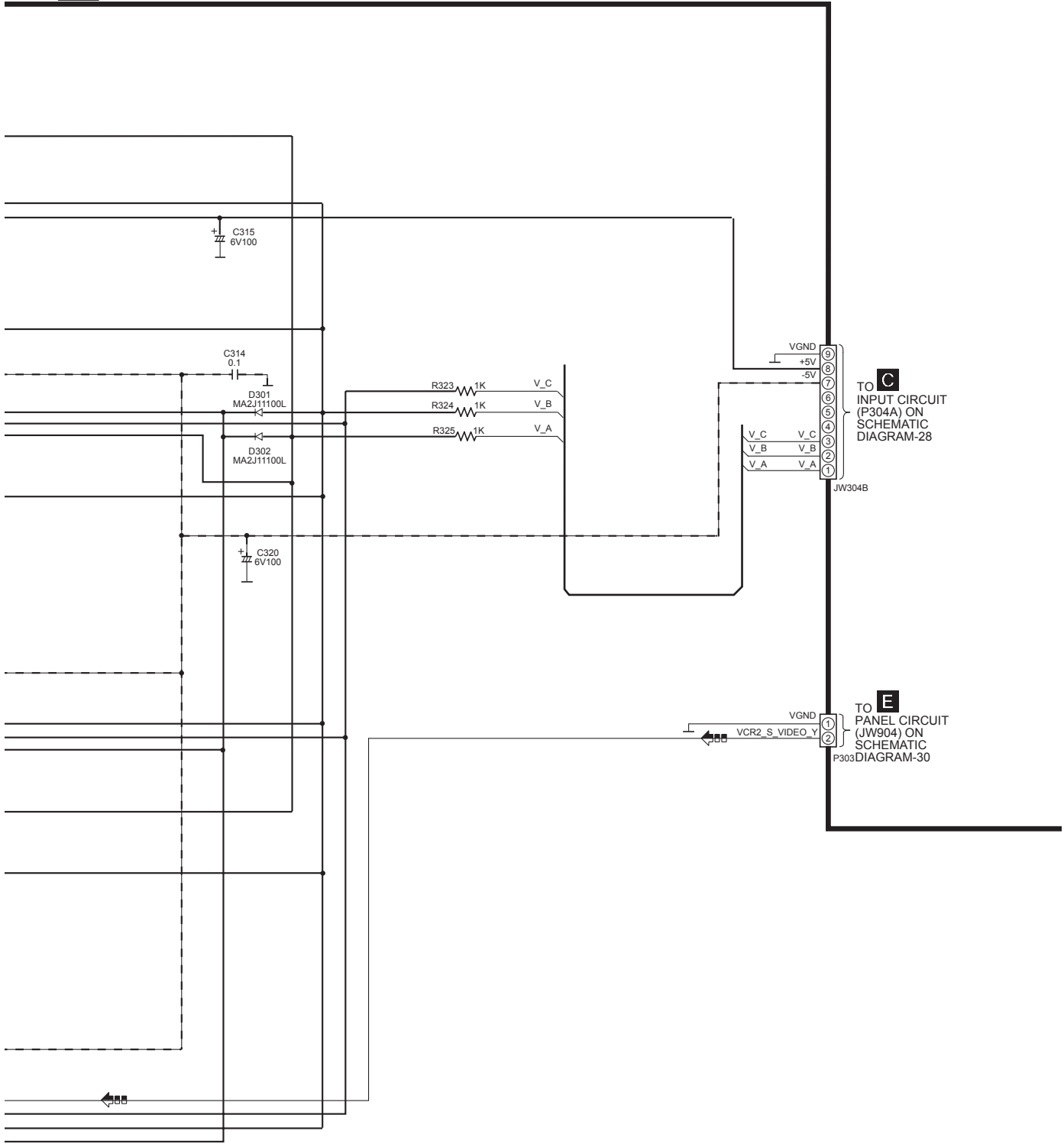
⏏ : VIDEO SIGNAL LINE



SCHEMATIC DIAGRAM -37

J VIDEO AND OPTICAL CIRCUIT

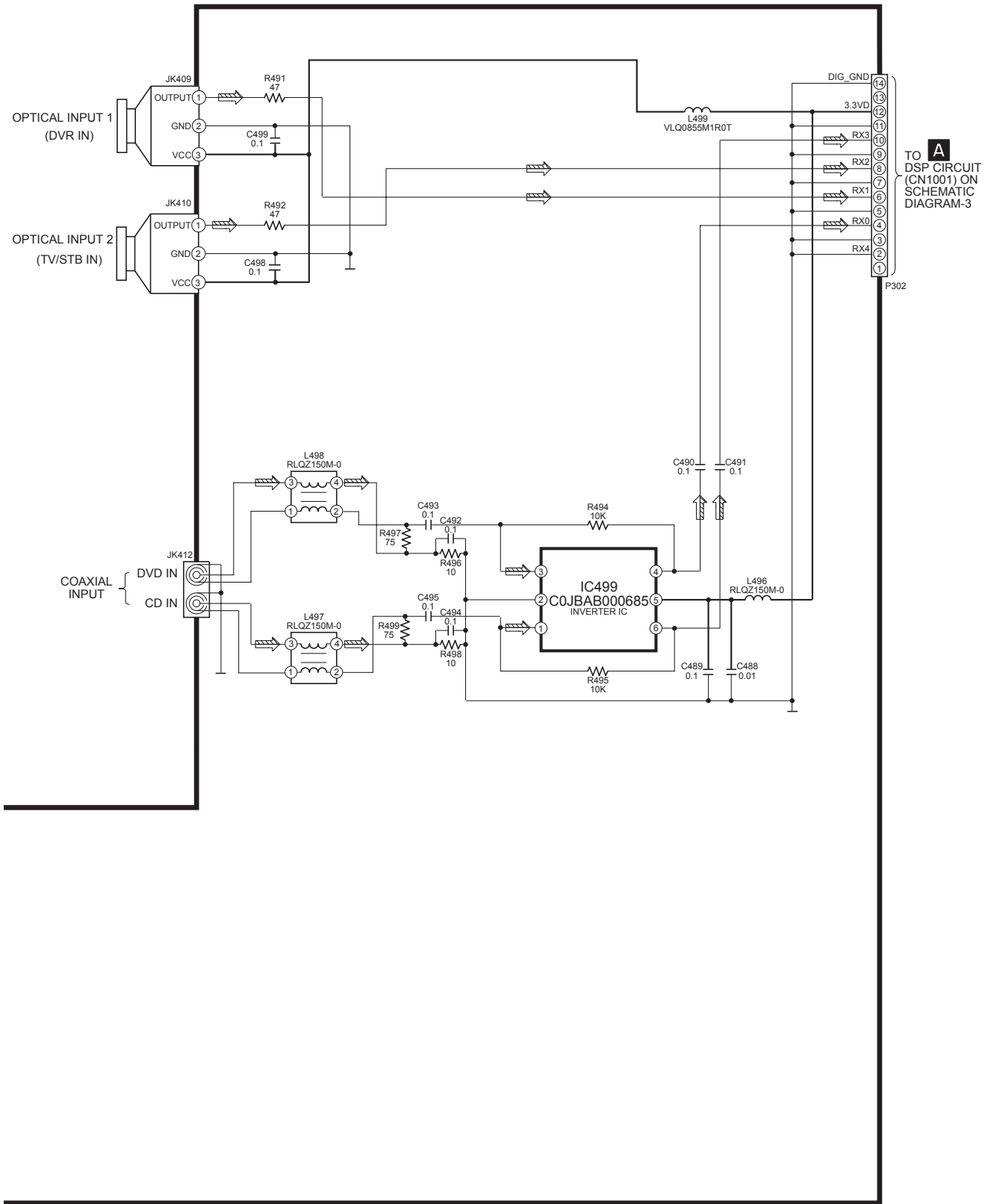
- - - : -B SIGNAL LINE
— : +B SIGNAL LINE
⇨ : VIDEO SIGNAL LINE



SCHEMATIC DIAGRAM -38

J VIDEO AND OPTICAL CIRCUIT

— : +B SIGNAL LINE ⇨ : MAIN SIGNAL LINE

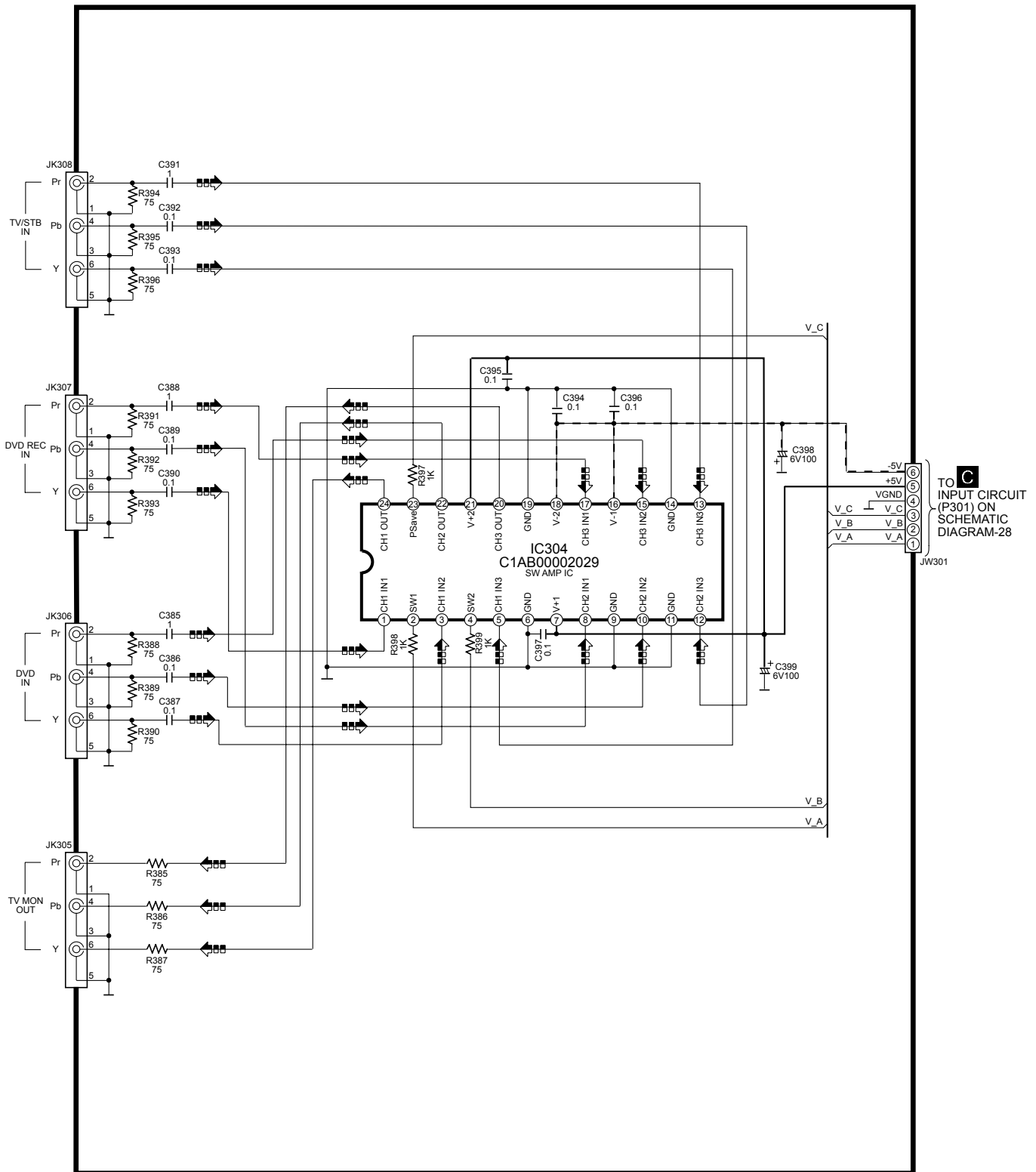


12.8. Component Video Circuit

SCHEMATIC DIAGRAM -39

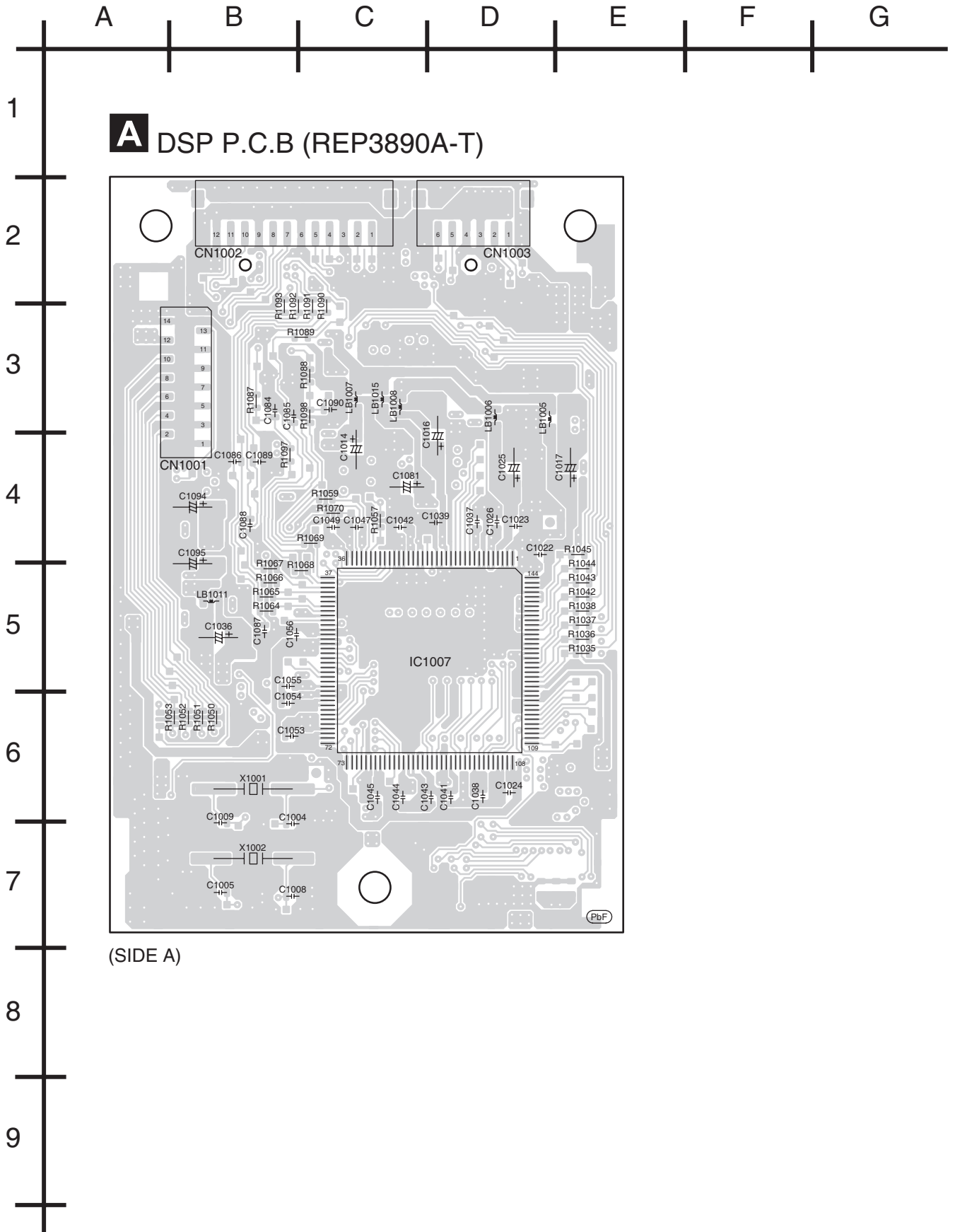
K COMPONENT VIDEO CIRCUIT

--- : -B SIGNAL LINE
 — : +B SIGNAL LINE  : VIDEO SIGNAL LINE



13 Printed Circuit Board

13.1. DSP P.C.B. (Side A & B)



A B C D E F G

1

A DSP P.C.B (REP3890A-T)

2

3

4

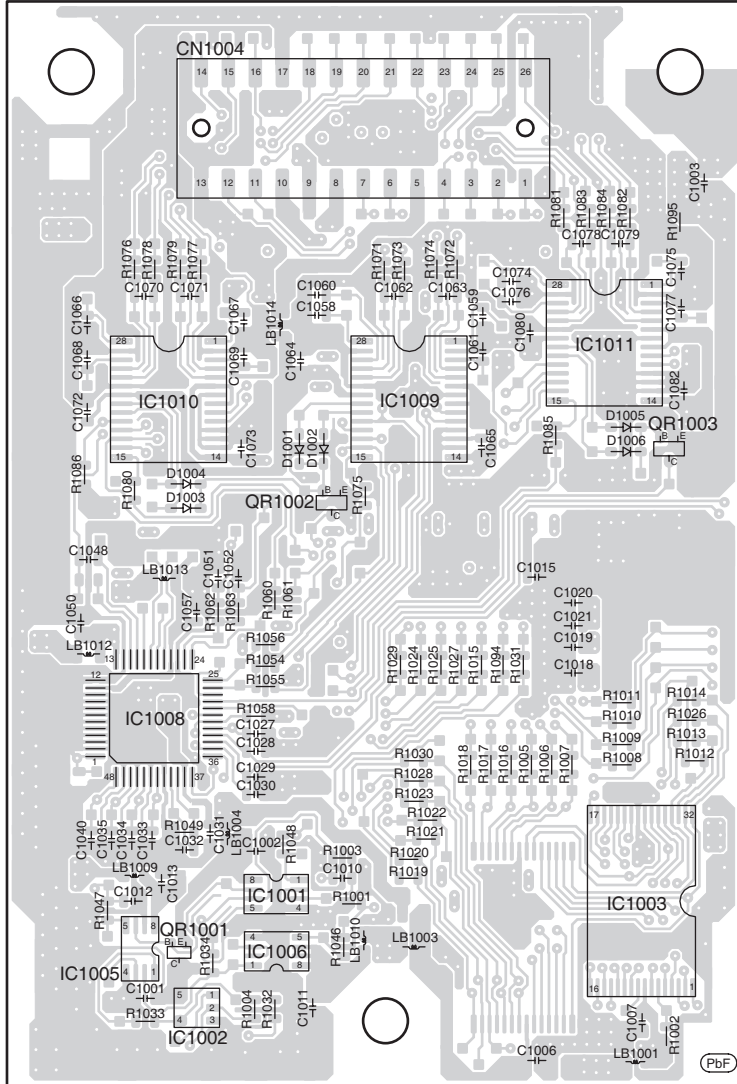
5

6

7

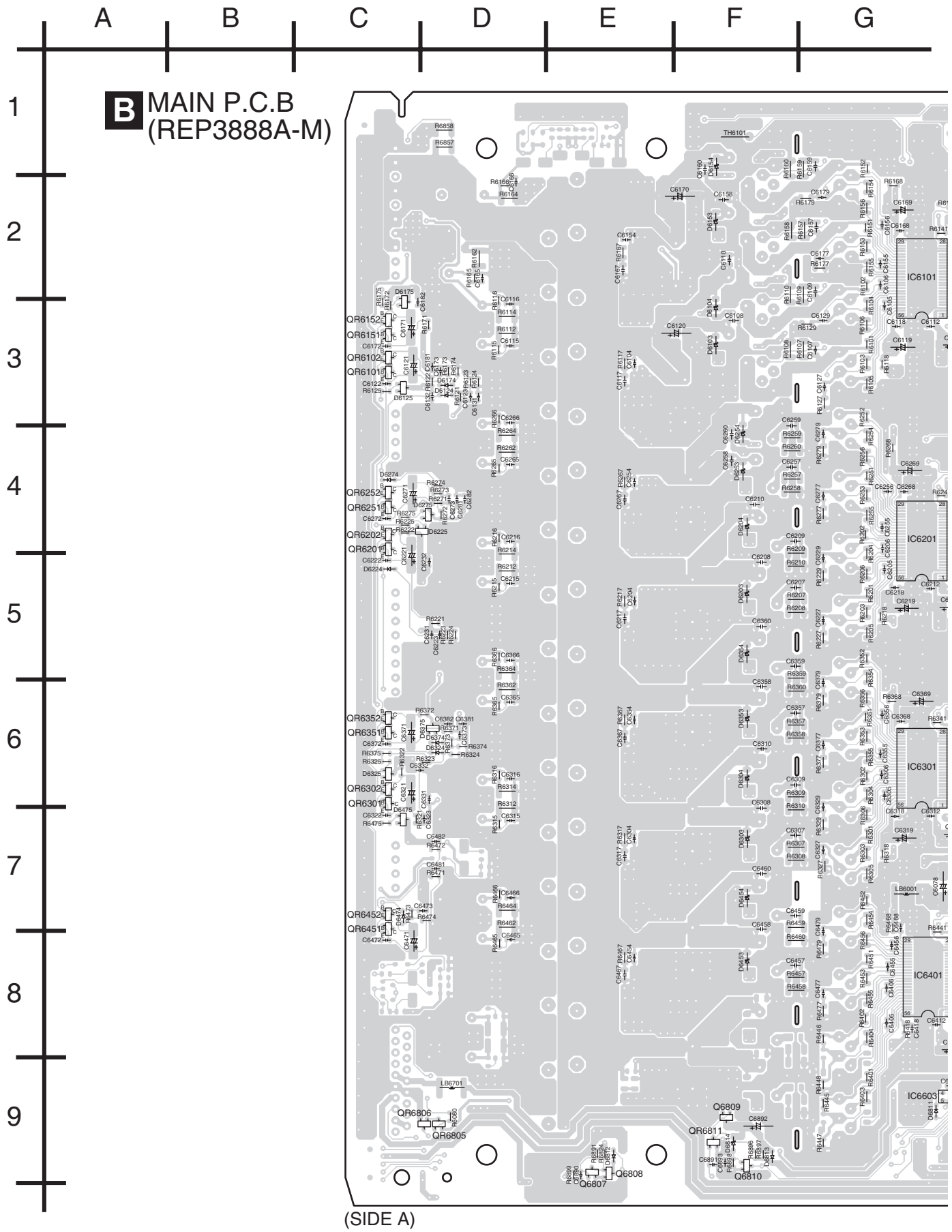
8

9



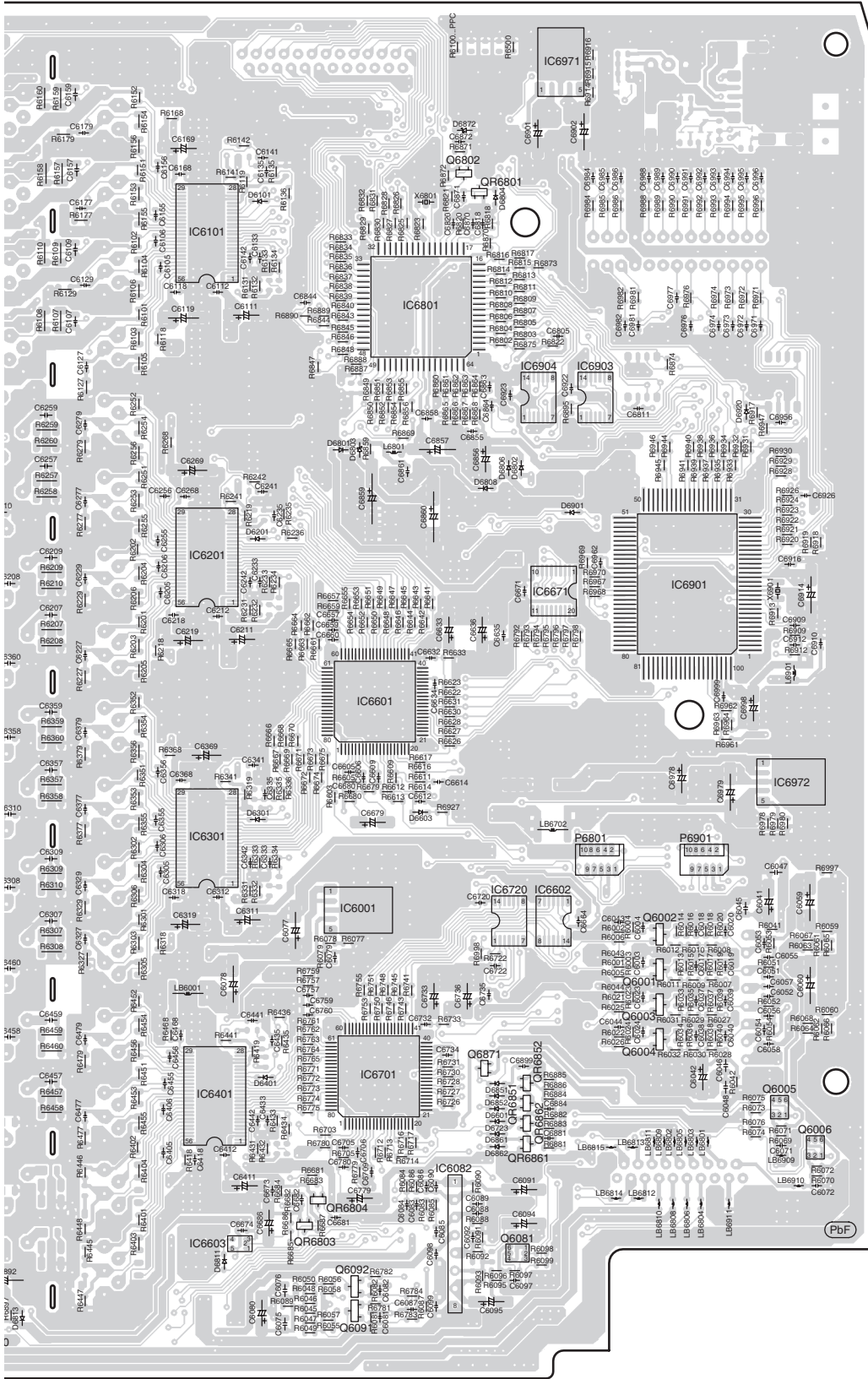
(SIDE B)

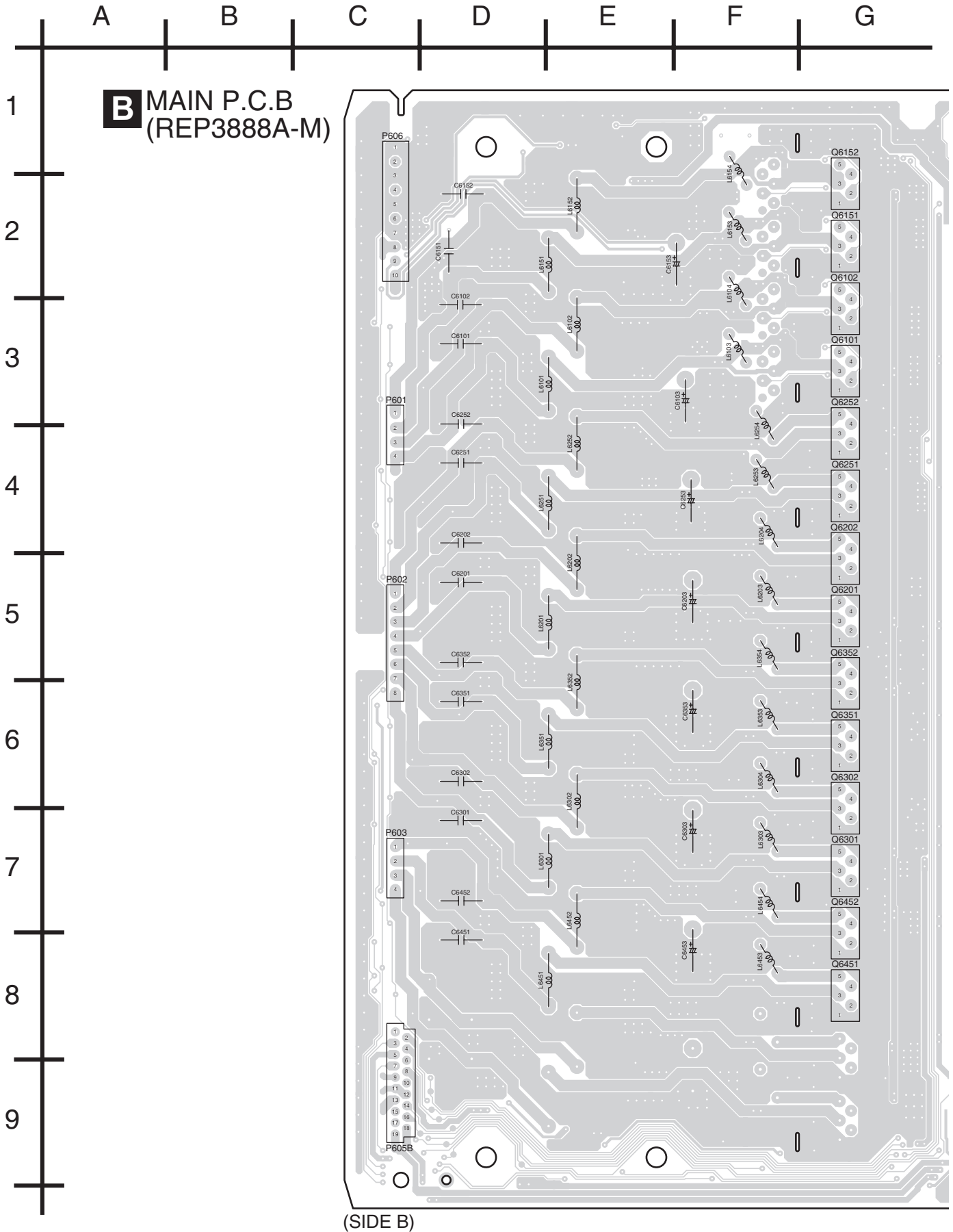
13.2. Main P.C.B. (Side A & B)



(SIDE A)

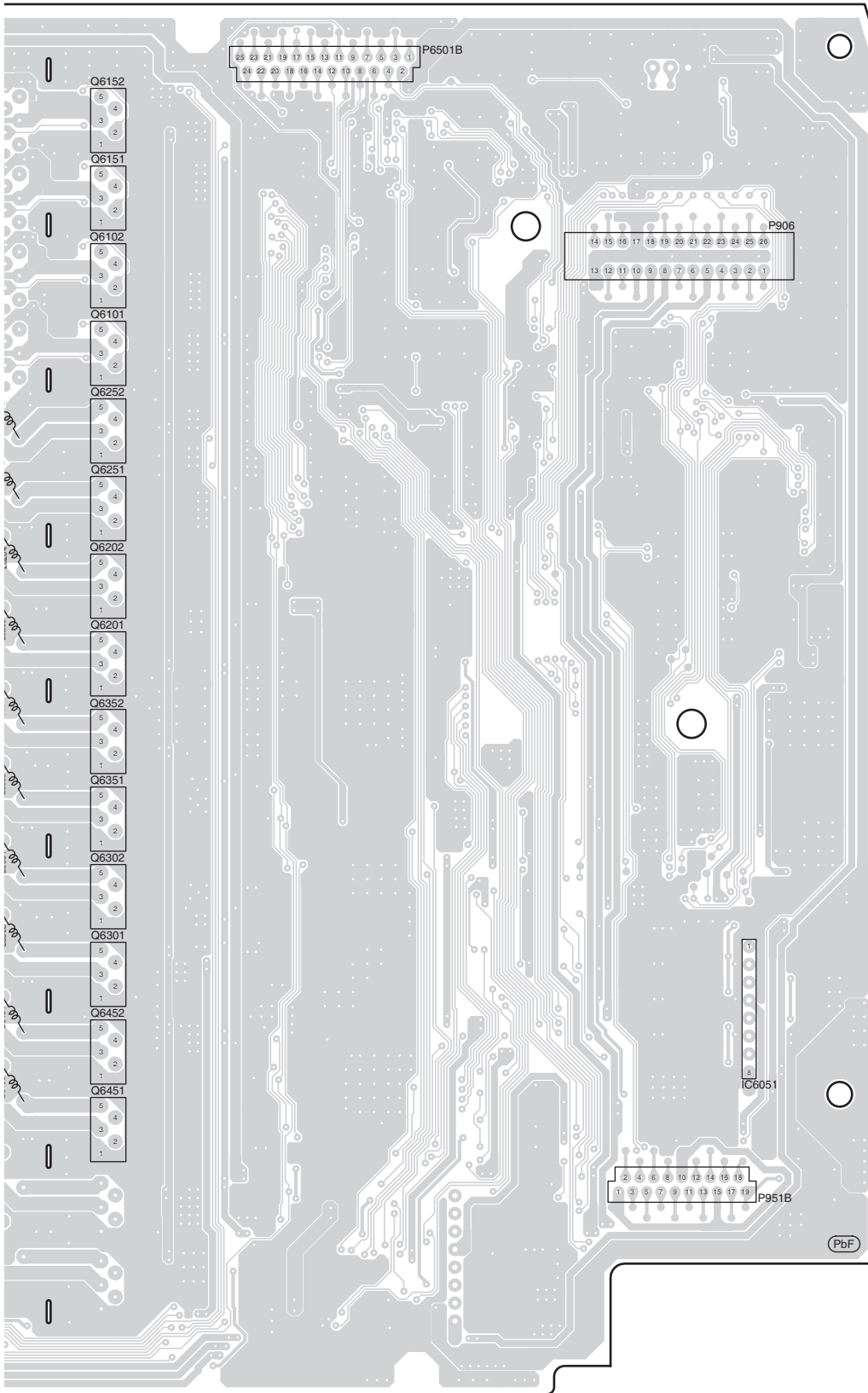
G | H | I | J | K | L | M



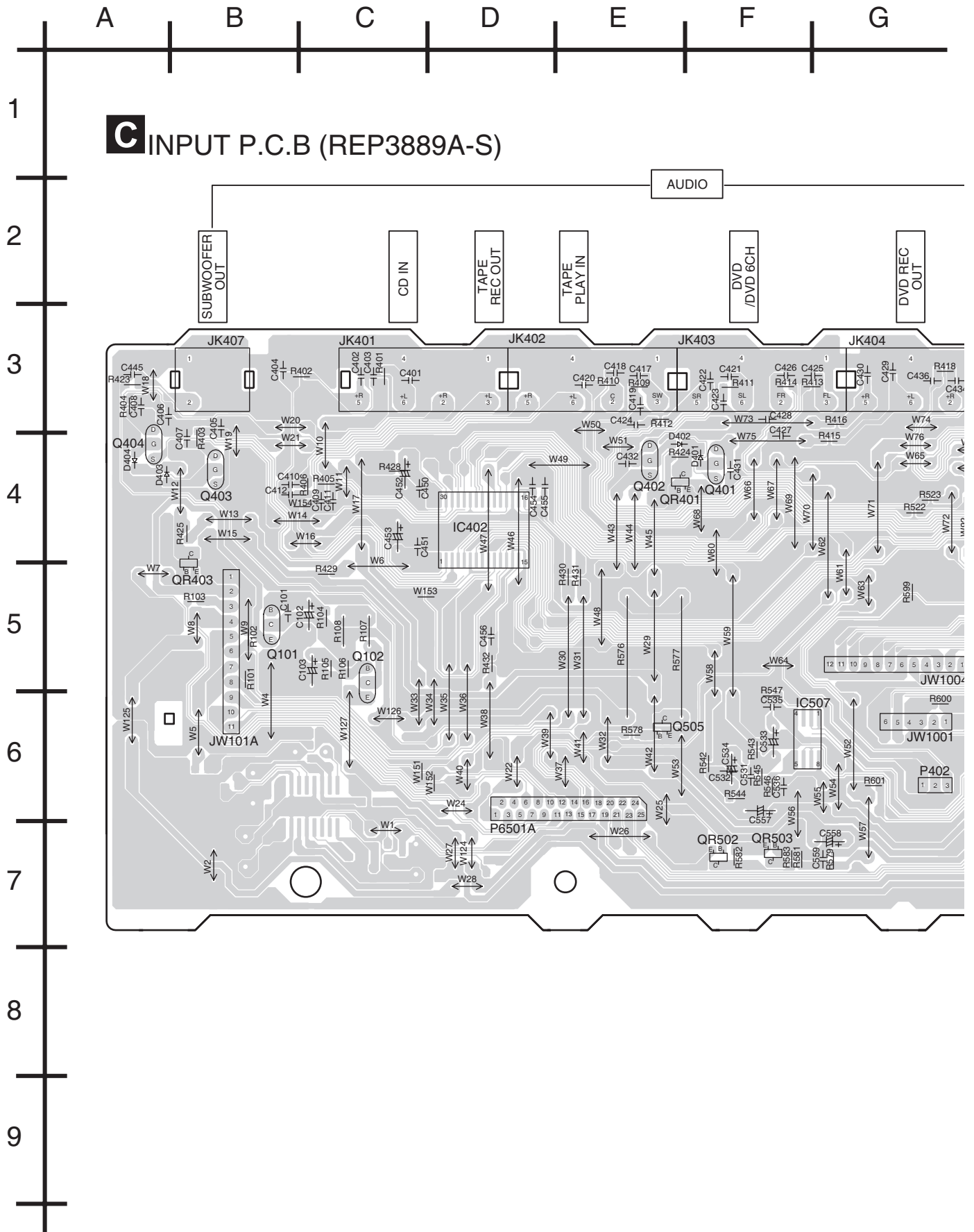


(SIDE B)

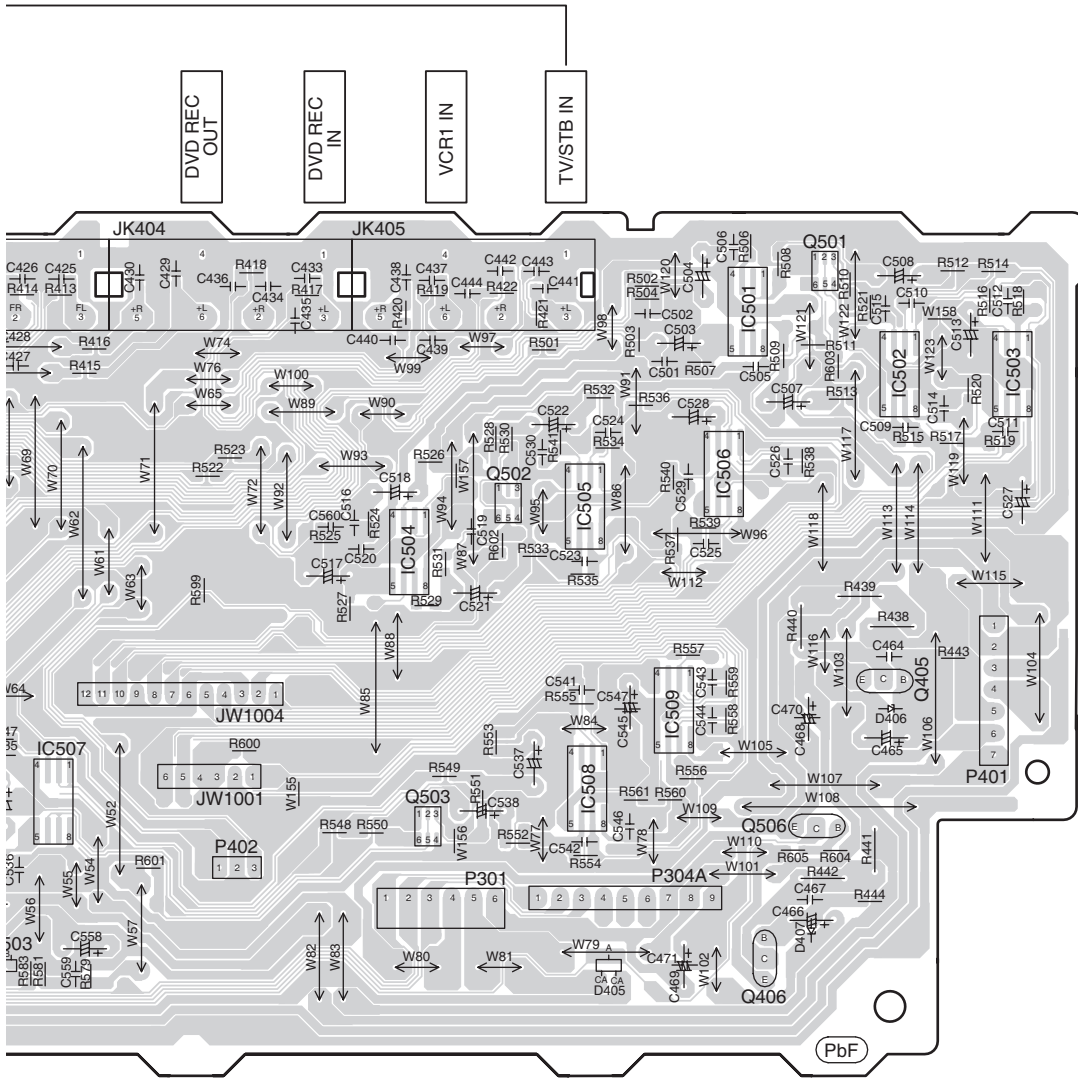
G H I J K L M



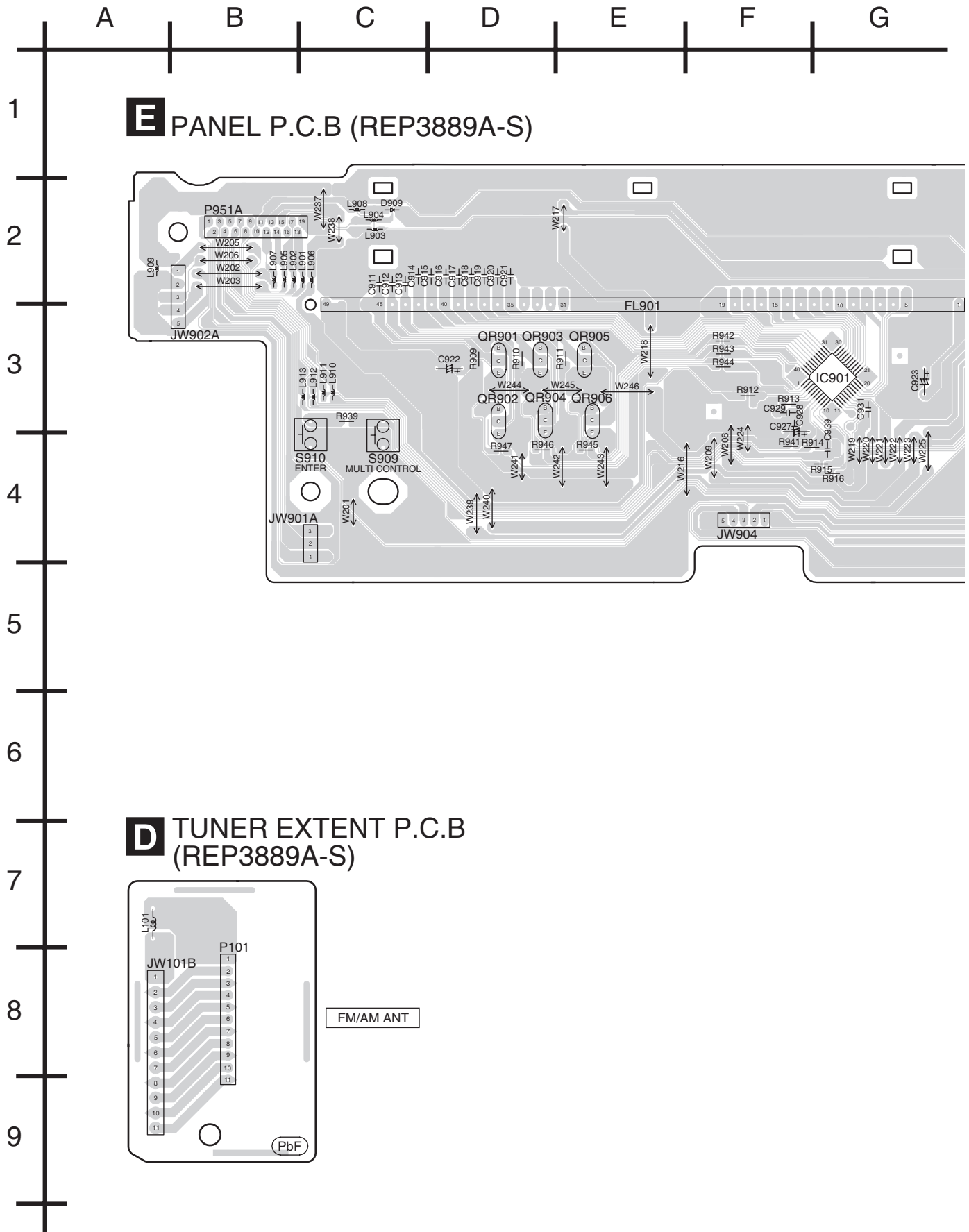
13.3. Input P.C.B.

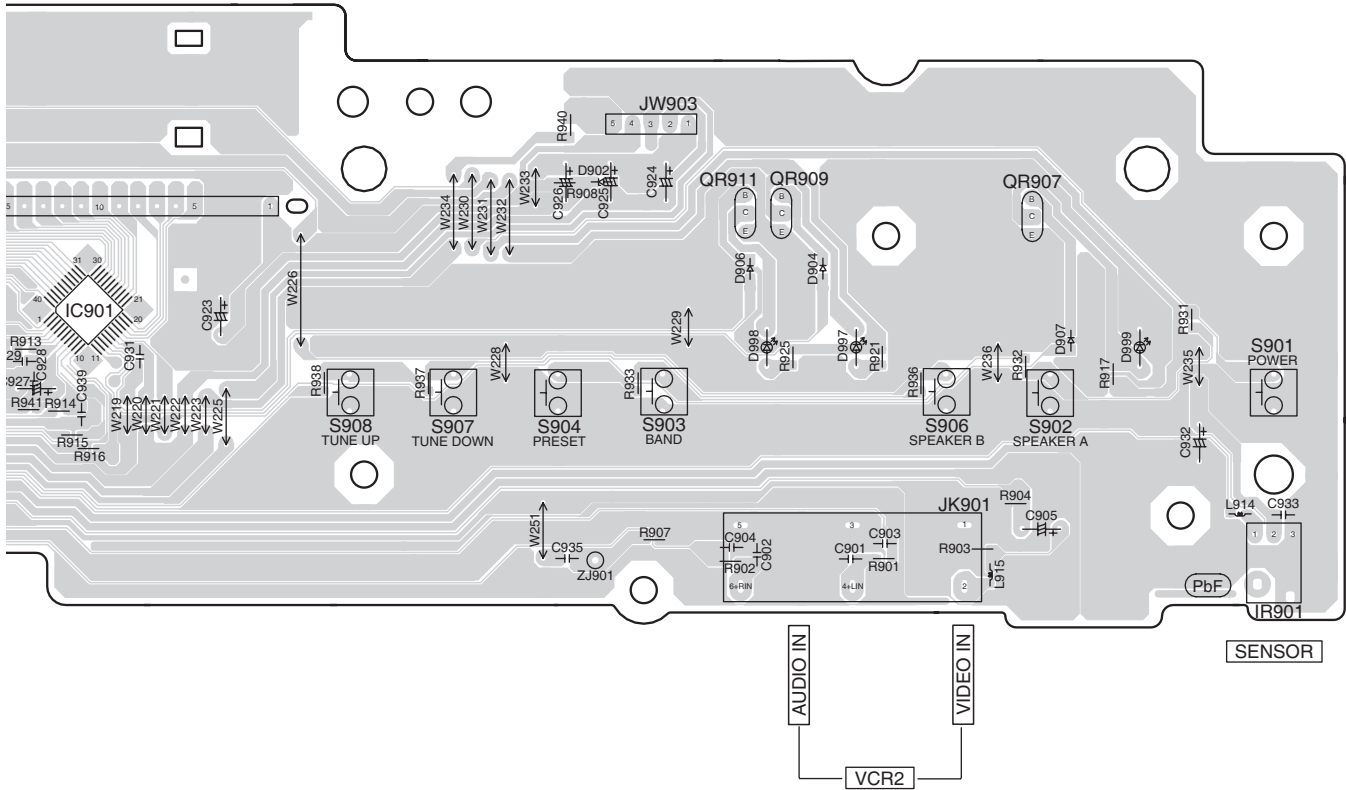


G | H | I | J | K | L | M

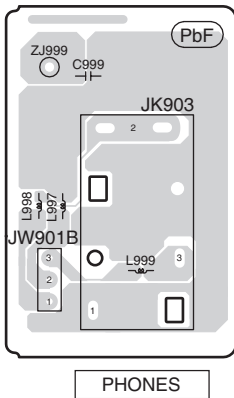


13.4. Tuner Extent P.C.B., Panel P.C.B. & Headphone P.C.B.

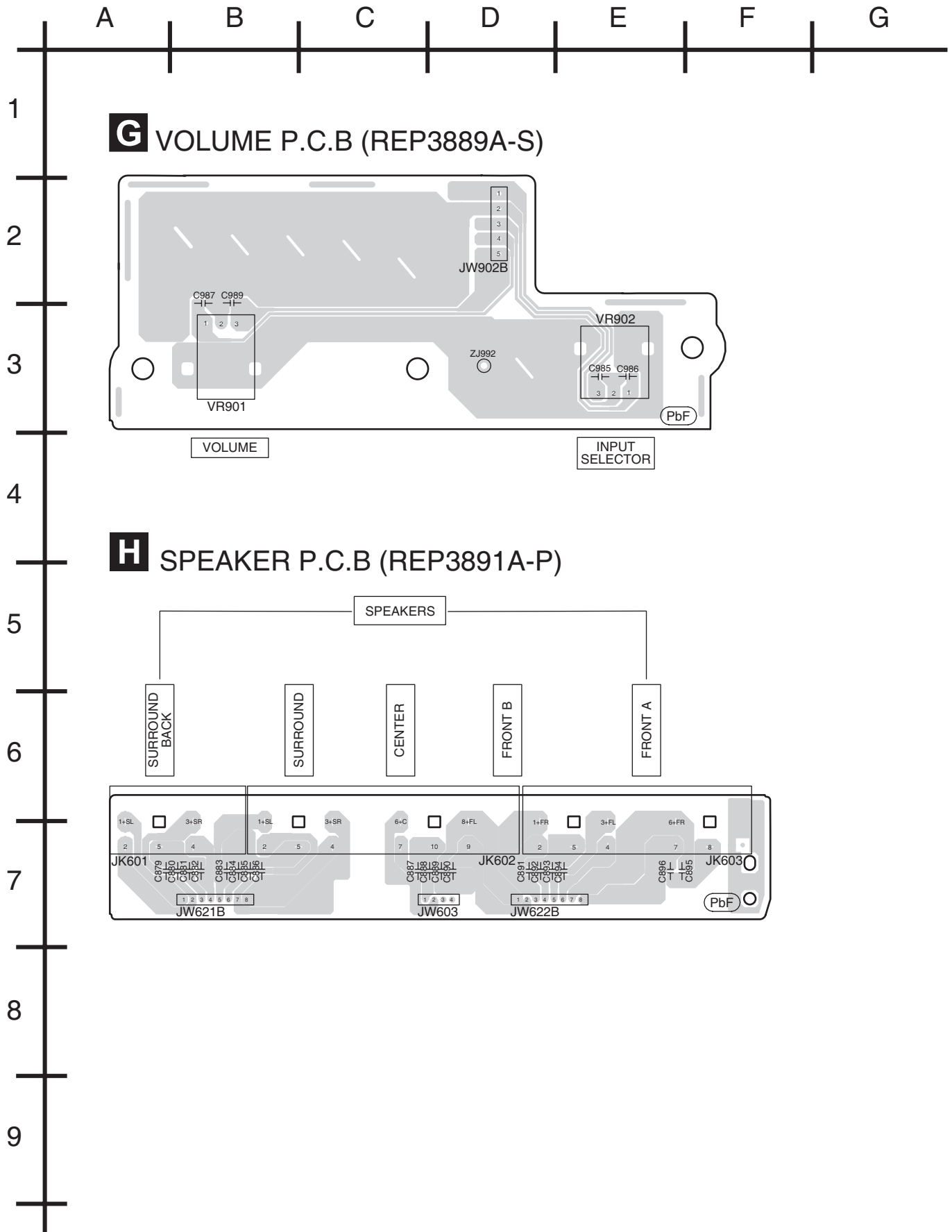




F HEADPHONE P.C.B
(REP3889A-S)



13.5. Volume P.C.B. & Speaker P.C.B.

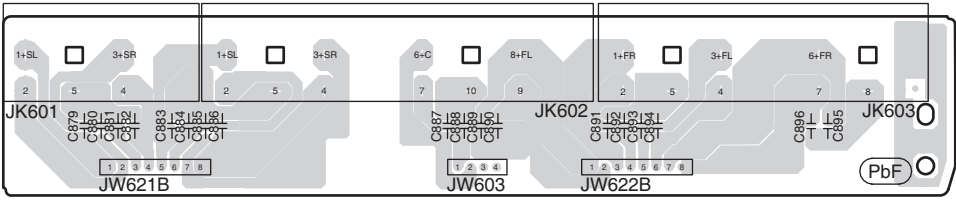
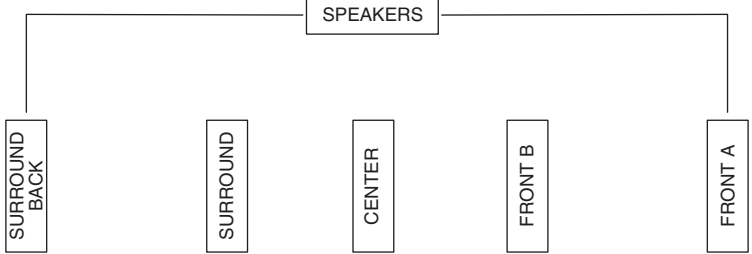


G VOLUME P.C.B (REP3889A-S)

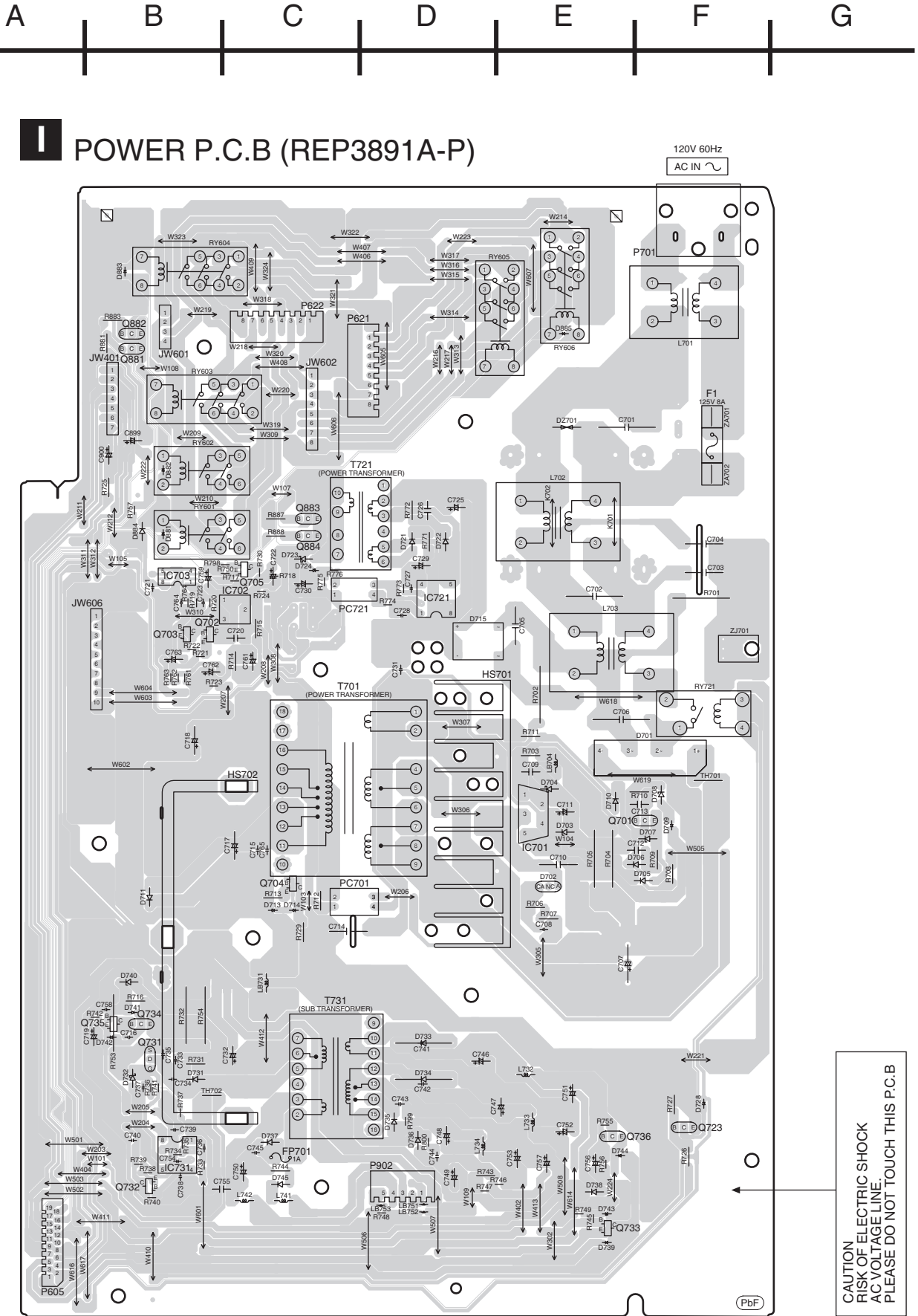
VOLUME

INPUT SELECTOR

H SPEAKER P.C.B (REP3891A-P)

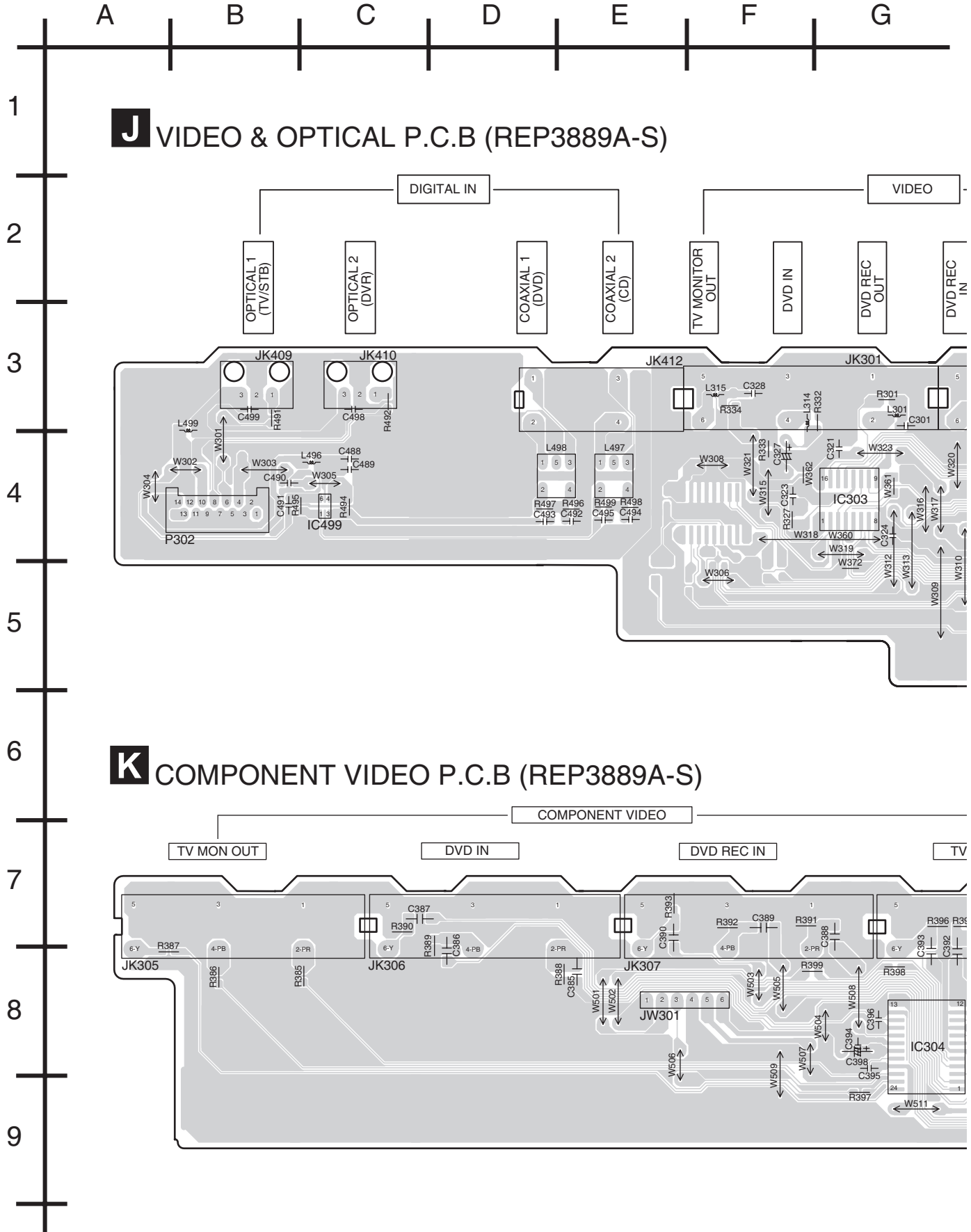


13.6. Power P.C.B.

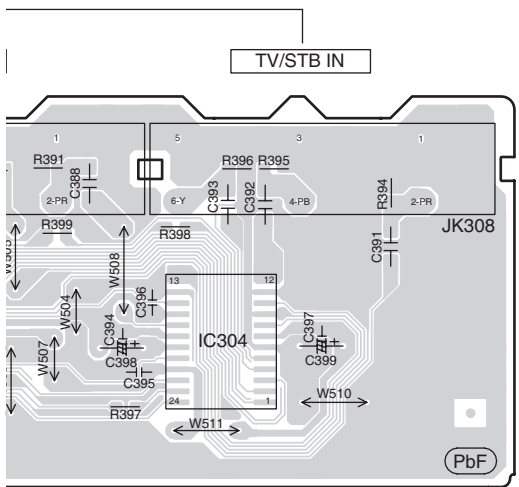
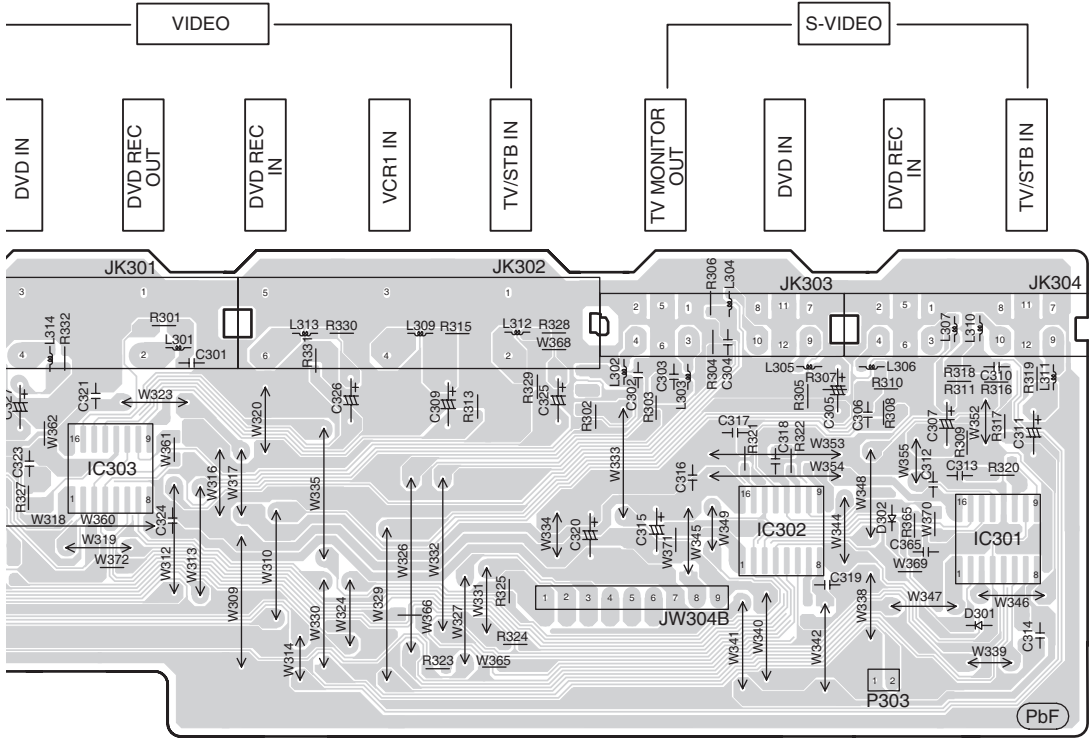


CAUTION
RISK OF ELECTRIC SHOCK
AC VOLTAGE LINE
PLEASE DO NOT TOUCH THIS P.C.B.

13.7. Video & Optical P.C.B. & Component Video P.C.B.

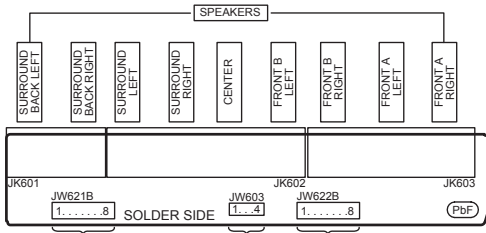


G H I J K L M

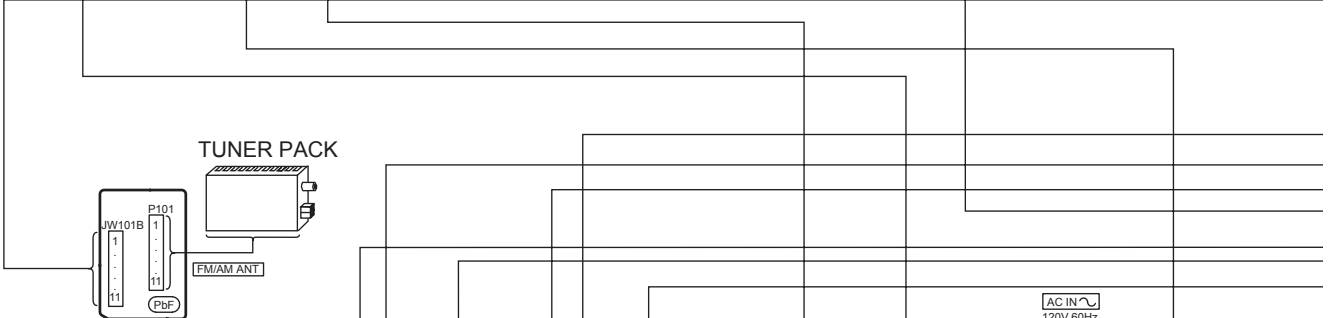
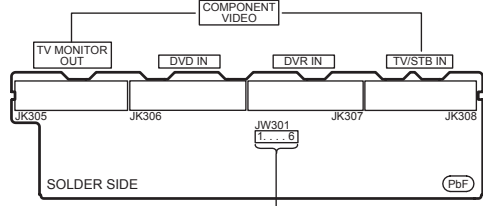


14 Wiring Connection Diagram

H SPEAKER P.C.B.

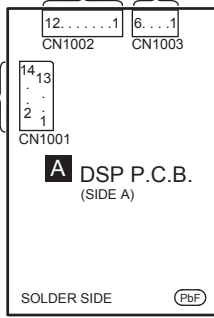


K COMPONENT VIDEO P.C.B.

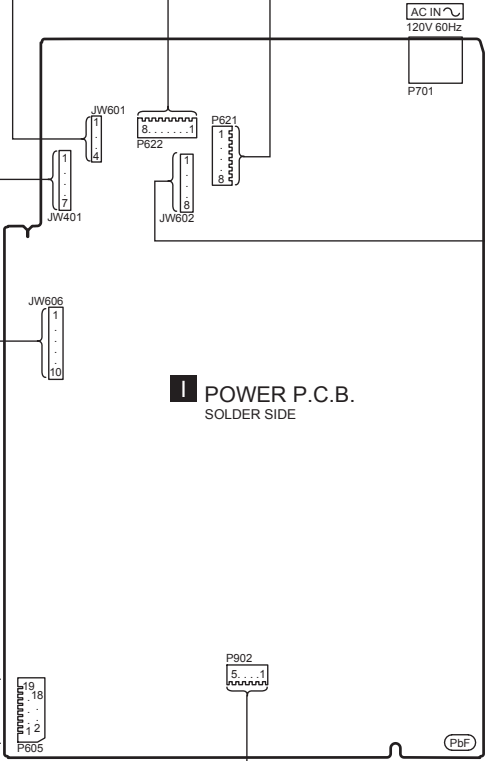


D TUNER EXTENT P.C.B. SOLDER SIDE

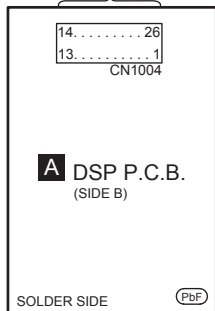
TUNER PACK



A DSP P.C.B. (SIDE A)

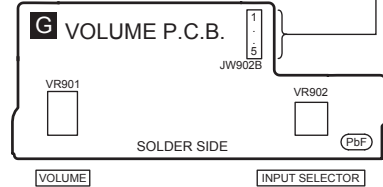
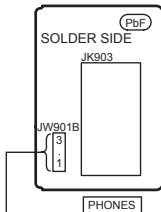


I POWER P.C.B. SOLDER SIDE

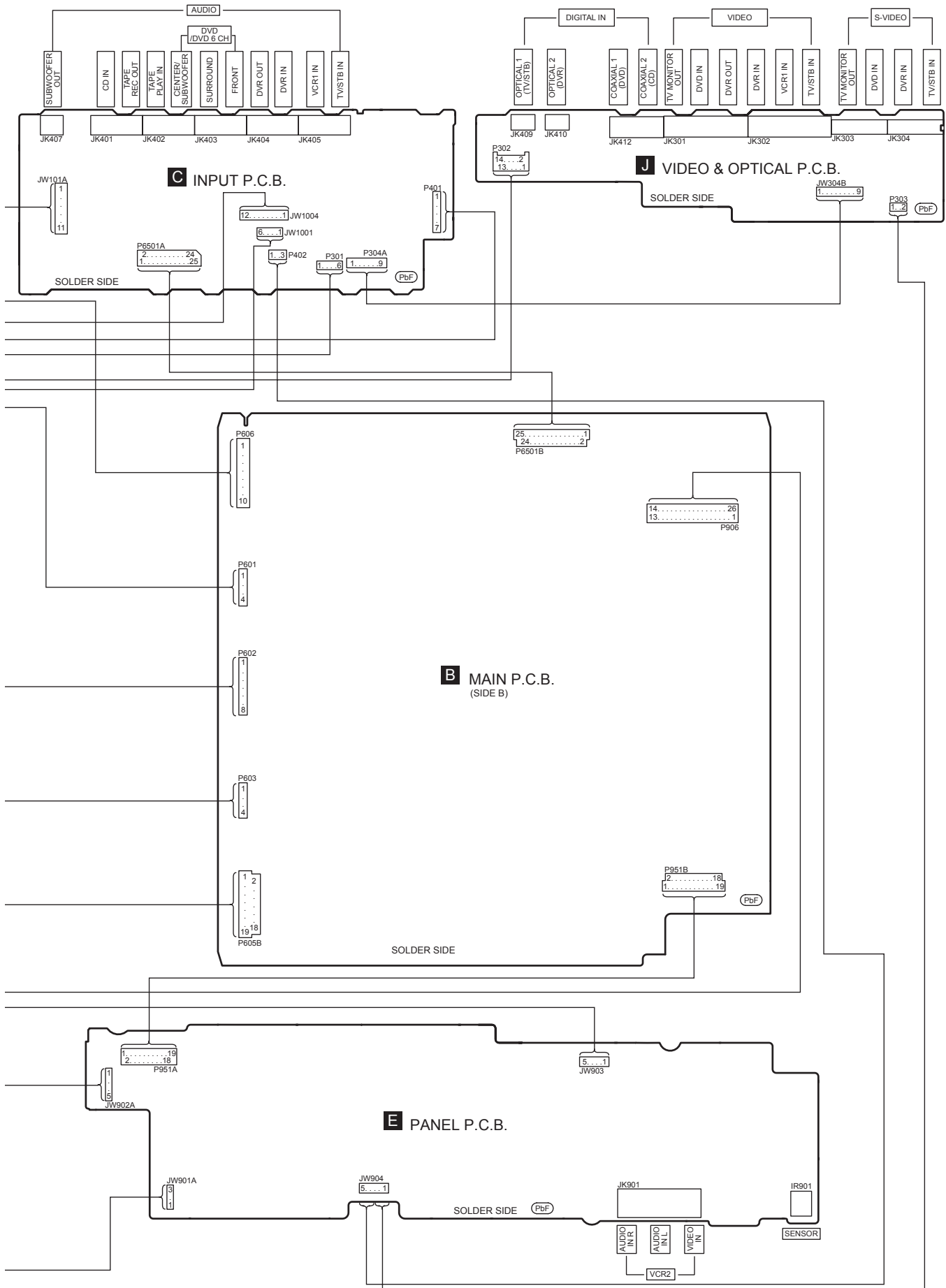


A DSP P.C.B. (SIDE B)

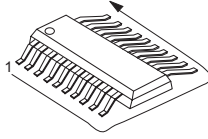
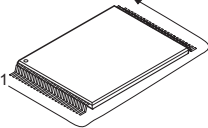
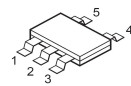
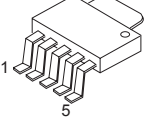
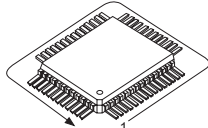
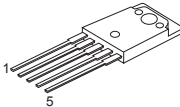
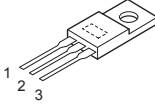
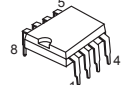
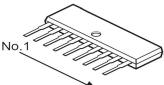
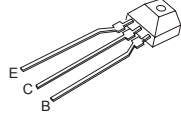
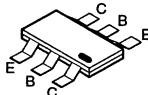
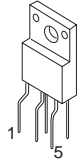
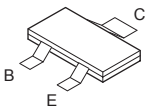
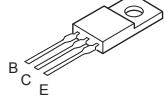
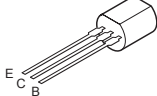
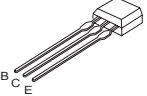
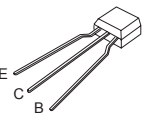
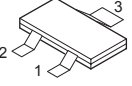
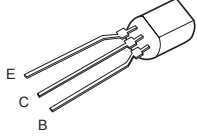
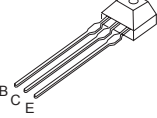
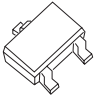
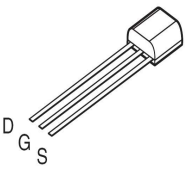
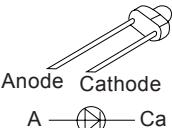
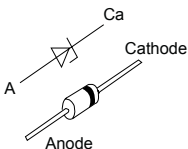
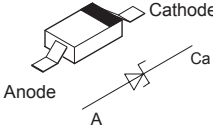
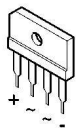
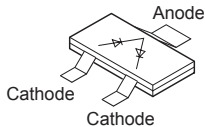
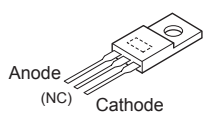
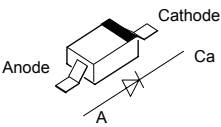
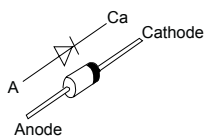
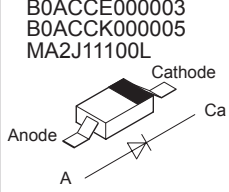
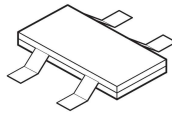
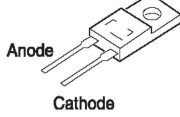
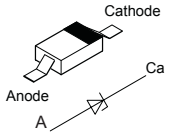
F HEADPHONE P.C.B.



G VOLUME P.C.B.



15 Type Illustration of IC's, Transistors and Diodes

<p>C0JBAA000244 (14p) C0ABBB000125(8p) C1BB00000835(56p) C1AB00001931(16p) C0ABBA000073(8p) C0JBAZ001539(20p) C1BB00000672(28p) C0JBAB000633(8p) C0JBAB000685(6p)</p>	<p>C0JBAF000540(6p) C0JBAR000400(8p) C1AB00002029(24p) C0JBAA000175(14p) C0JZAS000004(30p)</p>		<p>C3BBHC000348(32p)</p> 	<p>C0JBAB000702 C0JBAB000710</p> 
<p>C0DBEK00004</p> 	<p>C1BB00000692 (48p) C1BB00000834(80p) C0HBB0000044(40p) C2CBJG000650(100p) C2BBGF000669 (64p) C2HBCK000001(144)</p> 	<p>C0DAAMH00004</p> 	<p>C0EAS0000032</p> 	
<p>C0DACZZ00007 C0ABBB000102 MIP2C10MPSCF</p> 	<p>C0AABB000129</p> 	<p>B1GACFJN0007</p> 	<p>B1FGFCAA0001</p> 	<p>B1DEGF000004</p> 
<p>B1ABEC000010 B1GDCFJN0001 B1ADCF000063 B1GBCFJJ0007 B1GBCFJN0009 B1GBCFJA0002 B1ABCF000011 UNR211500L</p> 	<p>B1BACJ000005 B1DEGL000008</p> 	<p>2SD0592AWA</p> 	<p>B1AAGC000006 B1ADCF000001</p> 	
<p>B1GCCFJJ0008 2SC3311ARA</p> 	<p>B1ABCF000079 B1ABDB000035 B1GDCFJJ0008</p> 	<p>2SB0621AHA</p> 	<p>B1GACFGG0004</p> 	<p>B1GBCFQQ0002 B1CBGD000001</p> 
<p>B1CABA000003</p> 	<p>B3AAA0000487 B3AAA0000489</p> 	<p>B0BA01800019 B0BA03000015 MTZJ39DTA</p> 	<p>B0JCCE000002 B0JCMG000016</p> 	<p>B0FFKC000001</p> 
<p>B0ADCJ000020</p> 	<p>B0ZAZ0000052</p> 	<p>B0ACEM000009</p> 	<p>B0HANM000012 B0EAKM000122 B0HAJL000001 B0JAME000025 B0HAGR000002 B0JAJG000002</p> 	
<p>B0ACCE000003 B0ACCK000005 MA2J11100L</p> 	<p>B0EDKT000009</p> 	<p>B0HASM000003</p> 	<p>MAZ80560ML MAZ80390LL MAZ80470ML</p> 	

16 Terminal Function of ICs

16.1. IC6801 (C2BBGF000669): Microprocessor

Pin No.	Mark	I/O	Function
1	N.C.	-	No Connection
2	DC_DET	I	DC Short Detection
3	N.C.	-	No Connection
4	N.C.	-	No Connection
5	N.C.	-	No Connection
6	N.C.	-	No Connection
7	REQS	I/O	Communication to Sub μ P : Request from Sub μ P
8	REQM	I/O	Communication to Sub μ P : Request from Main μ P
9	M_CK	I/O	Communication to Main μ P : Clock
10	M2S_DT	O	Communication to Main μ P : Serial Output
11	S2M_DT	I	Communication to Main μ P : Serial Input
12	F_BUSY	I/O	BUSY control for μ P ROM Writing
13	F_CK	I	To rewrite μ P ROM : CLOCK
14	V_A	I	Video Selector Control : A
15	F_DA	I	To rewrite μ P ROM : DATA
16	V_B	I	Video Selector Control : B
17	REMOTE	I	Remote Control Signal Input
18	CNVSS (VPP)	-	12V supply to rewrite Flash ROM
19	RESET	I	Reset Input
20	HOLD	I	Power Failure Detection
21	V_C	I	Video Selector Control :C
22	XIN	I/O	10MHz Connect to Oscillator
23	XOUT	I/O	10MHz Connect to Oscillator
24	VSS	-	Connect to GND
25	AF_MT	O	MUTE for AF
26	BI_AMP	O	BI-AMP RELAY
27	SUBW_MT	O	MUTE for SUBWFR
28	VCR_REC	I	VCR REC_MUTE control
29	N.C.	-	No Connection
30	N.C.	-	No Connection
31	N.C.	-	No Connection
32	TAPE_REC	-	TAPE REC OUT MUTE
33	SP_B	O	B Speaker Relay Control
34	POWER_RLY	O	Power Relay Control
35	M_RESET	O	RESET signal for sub μ P
36	BEAT_PRF	O	BEAT PROOF Control Output
37	SP_A	O	A Speaker Relay Control
38	N.C.	-	No Connection
39	RDS_CK	-	RDS IC Control : Clock
40	RDS_DI	-	RDS IC Control : Data
41	INIT_IN1	I	Initialize Setting Input 1
42	INIT_IN2	I	Initialize Setting Input 2
43	TUN_SD	I	SD Input for Tuner
44	TUN_DI/ST	I	IF data/Stereo detect input for Tuner Control
45	TUN_CE	O	CE Output for tuner
46	SEL/TN/DA_CK	I/O	Input Selector and Tuner Control : Clock
47	SEL/TN/DA_DT	I	Input Selector and Tuner Control : Data
48	SEL_ST	I/O	Input Selector Control : Strobe
49	F_OE	O	To rewrite μ P ROM : ENABLE
50	FL/LED_CK	I/O	FL & LED Driver Control : Clock
51	FL/LED_DT	O	FL & LED Driver Control : Data
52	FL_ST	O	FL Driver Control : Strobe
53	FLD_RST	O	RESET for FLD driver

Pin No.	Mark	I/O	Function
54	DUAL_DRV	O	DUAL DRIVE control
55	A/D_ATT	I/O	A/D attenuator Control
56	SHORT_DET	I	Output Short Detection (OVERLOAD)
57	VCC	-	+5V power supply
58	VREF	-	VCC Connected
59	AVSS	-	GND Connected
60	THRM_DET	I	Thermal Warning Detection (CLIPPER)
61	SEL_ENC_A	I	Input Selector Encoder A
62	SEL_ENC_B	I	Input Selector Encoder B
63	KEY2	I	Key input 2
64	KEY1	I	Key input 1

17 Parts Location and Replacement Parts List

Notes:

- Important safety notice:

Components identified by \triangle mark have special characteristics important for safety.

Furthermore, special parts which have purposes of fire-retardant (resistors), high-quality sound (capacitors), low noise (resistors), etc are used.

When replacing any of these components, be sure to use only manufacturer's specified parts shown in the parts list.

- The parenthesized indications in the Remarks columns specify the areas or colour. (Refer to the cover page for area or colour)

Parts without these indications can be used for all areas.

- Capacitor values are in microfarads (μ F) unless specified otherwise, P= Pico-farads (pF), F= Farads.

- Resistance values are in ohms, unless specified otherwise, 1K=1,000 (OHM).

- The marking (RTL) indicates that the Retention Time is limited for this items. After the discontinuation of this assembly in production, the item will continue to be available for a specific period of time. The retention period of a availability is dependent on the type of assembly, and in accordance with the laws governing part and product retention. After the end of this period, the assembly will no longer be available.

- [M] Indicates in the Remarks columns indicates parts supplied by **PAVCSG**.

- Reference for O/I book languages are as follows:

Ar : Arabic

Cf : Canadian French

Cz : Czech

Da : Danish

Du : Dutch

En : English

Fr : French

Ge : German

It : Italian

Ko : Korean

Po : Polish

Ru : Russian

Sp : Spanish

Sw : Swedish

Co : Traditional Chinese

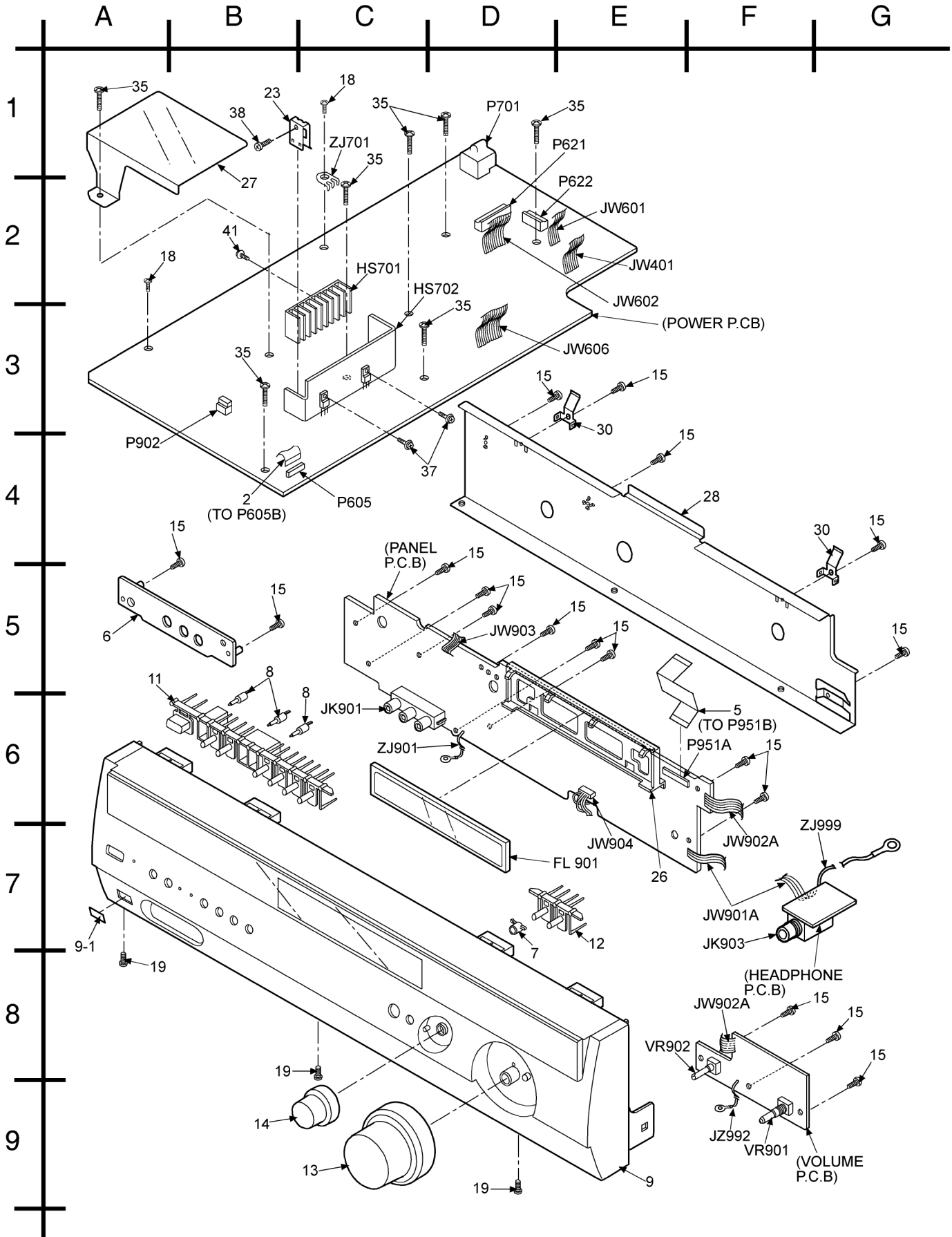
Cn : Simplified Chinese

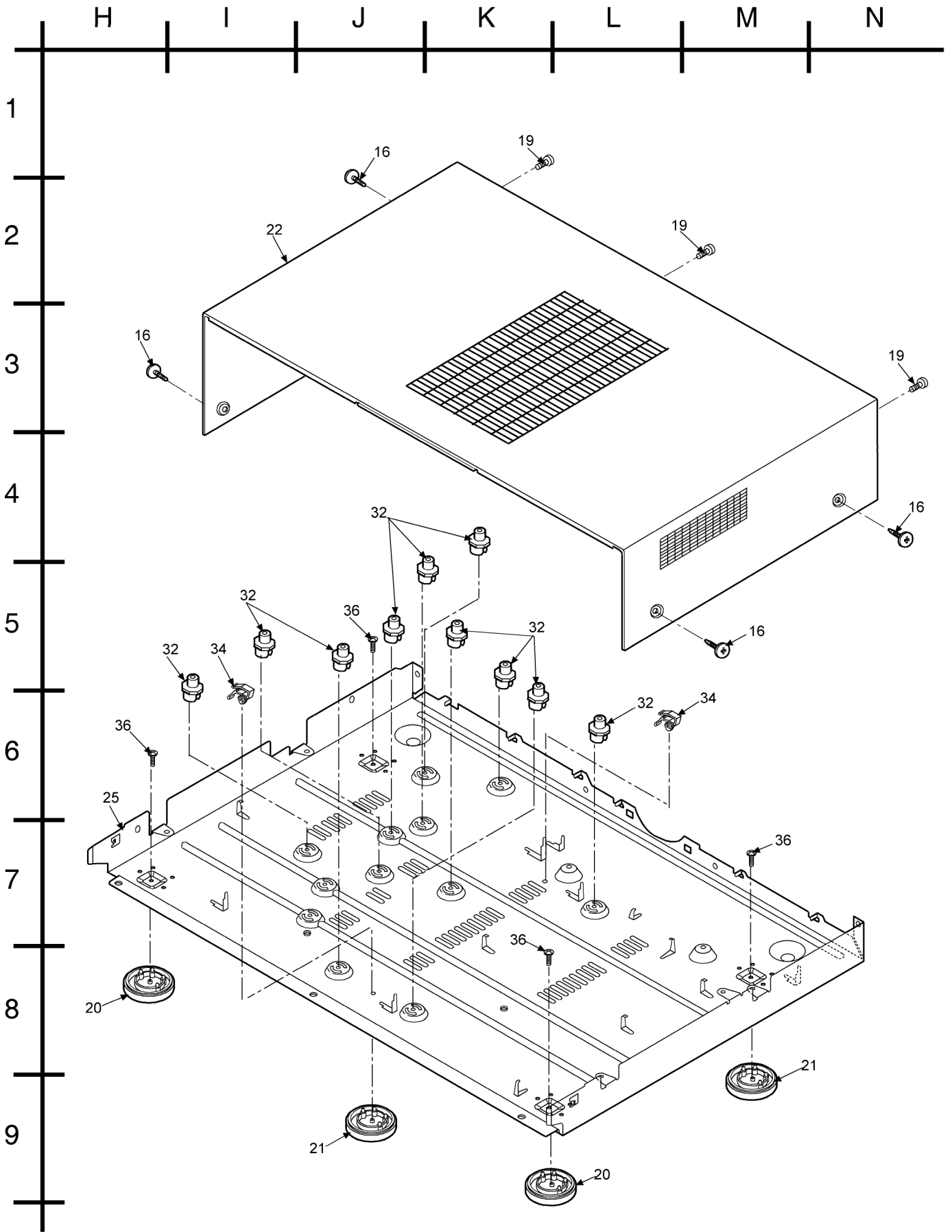
Pe: Persian

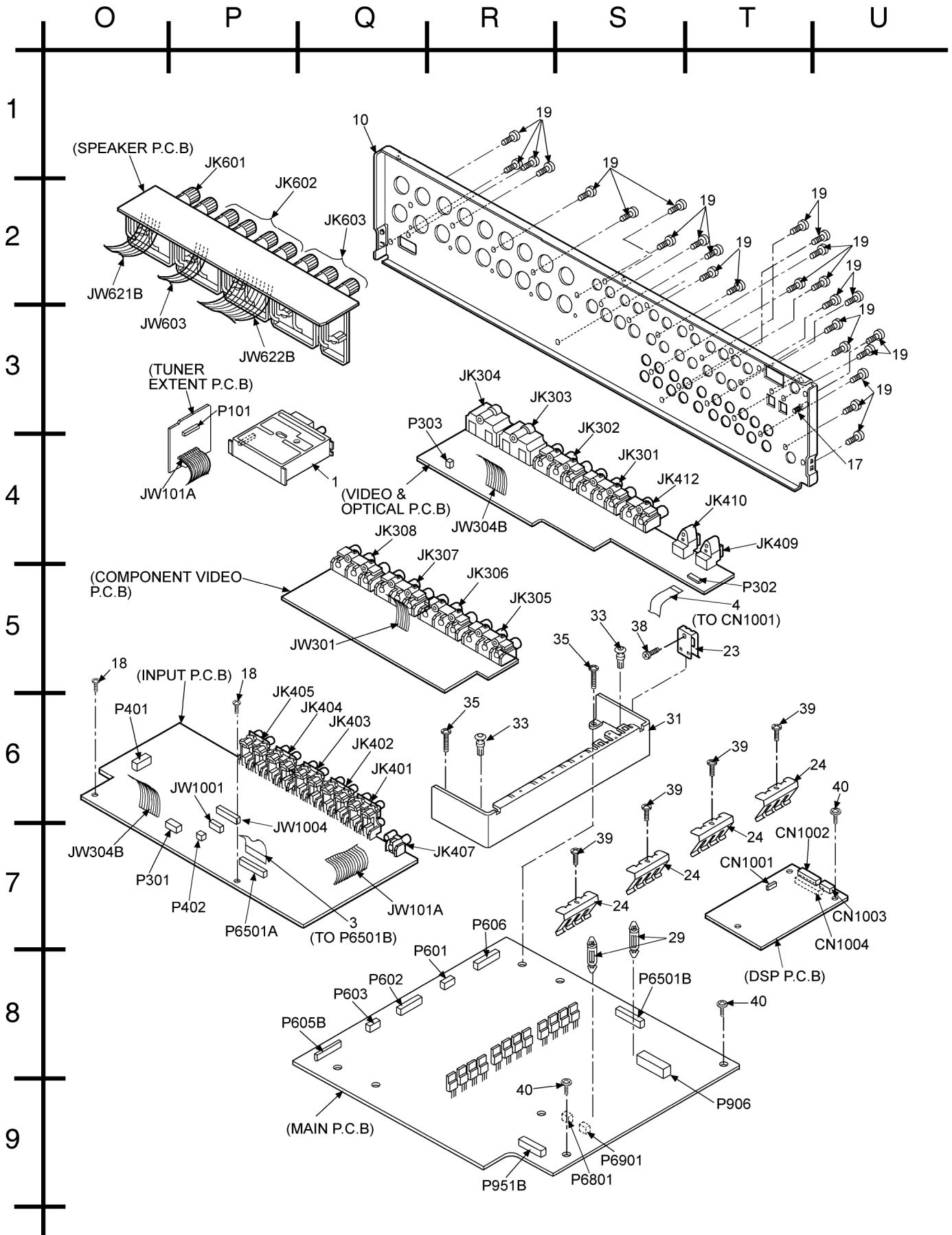
Ur: Ukraine

17.1. Cabinet Parts Location

17.1.1. Cabinet







17.1.2. Cabinet Parts List

Ref. No.	Part No.	Part Name & Description	Remarks
		CABINET AND CHASSIS	
1	RAN0001MM-2	TUNER PACK	[M]
2	REE1323	19P FFC WIRE	[M]
3	REE1324	25P FFC WIRE	[M]
4	REE1325	14P FFC WIRE	[M]
5	REE1326	19P FFC WIRE	[M]
6	RGK1738-K	VCR ORNAMENT	[M] PK
6	RGK1738-S	VCR ORNAMENT	[M] PCS PS
7	RGK1855-H	BUTTON ORNAMENT	[M] PK
7	RGK1855-W	BUTTON ORNAMENT	[M] PCS PS
8	RGL0534-Q	MONITOR LIGHT GUIDE	[M]
9	RFKGAXR55P-K	FRONT PANEL ASS'Y	[M] PK
9	RFKGAXR55P-S	FRONT PANEL ASS'Y	[M] PCS PS
9-1	RKW0774-K	FL WINDOW	[M] PK
9-1	RKW0774-S	FL WINDOW	[M] PCS PS
10	RGR0353A-A	REAR PANEL	[M] PK PS
10	RGR0353A-B	REAR PANEL	[M] PCS
11	RGU2350-K	POWER BUTTON	[M] PK
11	RGU2350-S	POWER BUTTON	[M] PCS PS
12	RGU2351-K	ENTER BUTTON	[M] PK
12	RGU2351-S	ENTER BUTTON	[M] PCS PS
13	RGW0411-K	VOLUME KNOB	[M] PK
13	RGW0411-S	VOLUME KNOB	[M] PCS PS
14	RGW0412-K	SELECTOR KNOB	[M] PK

Ref. No.	Part No.	Part Name & Description	Remarks
14	RGW0412-S	SELECTOR KNOB	[M] PCS PS
15	RHD26046-L	SCREW	[M]
16	RHD30007-1SJ	SCREW	[M] PCS PS
16	RHD30007-K2J	SCREW	[M] PK
17	RHD30070	EARTH TERMINAL	[M]
18	RHD30111	SCREW	[M]
19	RHD30119-K	SCREW	[M]
20	RKA0079A-S	LEG UNIT	[M]
21	RKA0079B-K	LEG UNIT	[M]
22	RKM0523-K	TOP CABINET	[M] PK
22	RKM0523-S	TOP CABINET	[M] PCS PS
23	RMC0477	THERMISTOR SPRING	[M]
24	RMC0617	TR SPRING	[M]
25	RMK0615-1	CHASSIS	[M]
26	RMN0804	FL HOLDER	[M]
27	RMQ1342	HEAT SINK COVER	[M]
28	RMQ1408	FRONT SHIELD	[M]
29	RMRL359-W	PCB SUPPORT (DECODER)	[M]
30	RSC0734	PANEL EARTH PLATE	[M]
31	RXX0286	HEAT SINK UNIT	[M]
32	SHE185-3	PCB SUPPORT	[M]
33	SHR411	PLASTIC RIVET	[M]
34	SHRD163	CORD HOLDER	[M]
35	XTB3+16JFJ	SCREW	[M]
36	XTB3+6GFJ	SCREW	[M]
37	XTB3+8JFJ	SCREW	[M]
38	XTN26+4FFJ	SCREW	[M]
39	XTW3+8TFJ	SCREW	[M]
40	XYB3+F8FJ	SCREW	[M]
41	XYN3+F10FJ	SCREW	[M]

17.2. Electrical Parts List

Ref. No.	Part No.	Part Name & Description	Remarks
		PRINTED CIRCUIT BOARD	
	REP3890A-T	DSP P.C.B. (SIDE A & B)	[M] (RTL)
	REP3888A-M	MAIN P.C.B. (SIDE A & B)	[M] (RTL)
	REP3889A-S	INPUT P.C.B. / TUNER EXTENT P.C.B. / PANEL P.C.B. / HEADPHONE P.C.B. / VOLUME P.C.B. / VIDEO & OPTICAL P.C.B. / COMPONENT VIDEO P.C.B.	[M] (RTL)
	REP3891A-P	SPEAKER P.C.B. / POWER P.C.B.	[M] (RTL)
		INTEGRATED CIRCUITS	
IC301	ClAB00001931	IC VIDEO SELECTOR	[M]
IC302	ClAB00001931	IC VIDEO SELECTOR	[M]
IC303	ClAB00001931	IC VIDEO SELECTOR	[M]
IC304	ClAB00002029	IC SW AMP	[M]
IC402	C0JZAS000004	IC SELECTOR	[M]
IC499	C0JBAB000685	IC INVERTER	[M]
IC501	C0ABBB000125	IC OP AMP	[M]
IC502	C0ABBB000102	IC OP AMP	[M]
IC503	C0ABBB000102	IC OP AMP	[M]
IC504	C0ABBB000125	IC OP AMP	[M]
IC505	C0ABBB000102	IC OP AMP	[M]
IC506	C0ABBB000102	IC OP AMP	[M]
IC507	C0ABBB000125	IC OP AMP	[M]
IC508	C0ABBB000102	IC OP AMP	[M]
IC509	C0ABBB000102	IC OP AMP	[M]
IC701	C0DAAMH00004	IC SWITCHING POWER	[M]
IC702	C0EAS0000032	IC VOLTAGE DETECTOR	[M]
IC703	C0ABBA000073	IC OP AMP	[M]
IC721	MIP2C10MPSCF	IC SWITCHING	[M]

Ref. No.	Part No.	Part Name & Description	Remarks
IC731	C0DACZZ00007	IC PWM CONTROLLER	[M]
IC901	C0HBB0000044	IC FL DRIVER	[M]
IC1001	C0JBAB000633	IC LOGIC INVERTER	[M]
IC1002	C0JBAB000702	IC INVERTER	[M]
IC1003	C3BBHC000348	IC SRAM	[M]
IC1005	C0JBAR000400	IC MULTIPLEXER	[M]
IC1006	C0JBAF000540	IC FLIP-FLOP	[M]
IC1007	C2HBC0000001	IC DSP	[M]
IC1008	C1BB00000692	IC DIR	[M]
IC1009	C1BB00000672	IC ADC	[M]
IC1010	C1BB00000672	IC ADC	[M]
IC1011	C1BB00000672	IC ADC	[M]
IC6001	C0DBEKG00004	IC REGULATOR	[M]
IC6051	C0AABB000129	IC OP AMP	[M]
IC6082	C0AABB000129	IC OP AMP	[M]
IC6101	C1BB00000835	IC DUAL H-BRIDGE DR.	[M]
IC6201	C1BB00000835	IC DUAL H-BRIDGE DR.	[M]
IC6301	C1BB00000835	IC DUAL H-BRIDGE DR.	[M]
IC6401	C1BB00000835	IC DUAL H-BRIDGE DR.	[M]
IC6601	C1BB00000834	IC 6CH PWM PROCESSOR	[M]
IC6602	C0JBAA000244	IC LOGIC GATE	[M]
IC6603	C0JBAB000710	IC LOGIC GATE	[M]
IC6671	C0JBAZ001539	IC LOGIC	[M]
IC6701	C1BB00000834	IC 6CH PWM PROCESSOR	[M]
IC6720	C0JBAA000244	IC LOGIC GATE	[M]
IC6801	C2BBGF000669	IC MICRO-P	[M]
IC6901	C2CBJG000650	IC MICRO-P	[M]
IC6903	C0JBAA000175	IC LOGIC	[M]
IC6904	C0JBAA000244	IC LOGIC GATE	[M]
IC6971	C0DBEKG00004	IC REGULATOR	[M]
IC6972	C0DBEKG00004	IC REGULATOR	[M]
IR901	B3RAB0000041	REMOTE SENSOR	[M]
PC701	B3QAZ0000062	IC PHOTO COUPLE	[M] △

Ref. No.	Part No.	Part Name & Description	Remarks
PC721	B3QAZ0000062	IC PHOTO COUPLE	[M] △
		TRANSISTORS	
Q101	2SD0592AWA	TRANSISTOR	[M]
Q102	2SD0592AWA	TRANSISTOR	[M]
Q401	B1CABA000003	TRANSISTOR	[M]
Q402	B1CABA000003	TRANSISTOR	[M]
Q403	B1CABA000003	TRANSISTOR	[M]
Q404	B1CABA000003	TRANSISTOR	[M]
Q405	2SD0592AWA	TRANSISTOR	[M]
Q406	2SB0621AHA	TRANSISTOR	[M]
Q501	B1GFGCAA0001	TRANSISTOR	[M]
Q502	B1GFGCAA0001	TRANSISTOR	[M]
Q503	B1GFGCAA0001	TRANSISTOR	[M]
Q505	B1ABEC000010	TRANSISTOR	[M]
Q506	2SC3311ARA	TRANSISTOR	[M]
Q701	B1BACJ000005	TRANSISTOR	[M]
Q702	B1ABCF000011	TRANSISTOR	[M]
Q703	B1ABCF000011	TRANSISTOR	[M]
Q704	B1ADCF000001	TRANSISTOR	[M]
Q705	B1ADCF000001	TRANSISTOR	[M]
Q723	B1AAGC000006	TRANSISTOR	[M]
Q731	B1DEGL000008	TRANSISTOR	[M]
Q732	B1ABCF000011	TRANSISTOR	[M]
Q733	B1GBCFJA0002	TRANSISTOR	[M]
Q734	2SB0621AHA	TRANSISTOR	[M]
Q735	B1ABCF000011	TRANSISTOR	[M]
Q736	B1AAGC000006	TRANSISTOR	[M]
Q881	B1AAGC000006	TRANSISTOR	[M]
Q882	B1AAGC000006	TRANSISTOR	[M]
Q883	B1AAGC000006	TRANSISTOR	[M]
Q884	B1AAGC000006	TRANSISTOR	[M]
Q6001	B1ABDB000035	TRANSISTOR	[M]
Q6002	B1ABDB000035	TRANSISTOR	[M]
Q6003	B1ABDB000035	TRANSISTOR	[M]
Q6004	B1ABDB000035	TRANSISTOR	[M]
Q6005	B1GFGCAA0001	TRANSISTOR	[M]
Q6006	B1GFGCAA0001	TRANSISTOR	[M]
Q6081	B1GFGCAA0001	TRANSISTOR	[M]
Q6091	B1ABDB000035	TRANSISTOR	[M]
Q6092	B1ABDB000035	TRANSISTOR	[M]
Q6101	B1DEGF000004	TRANSISTOR	[M]
Q6102	B1DEGF000004	TRANSISTOR	[M]
Q6151	B1DEGF000004	TRANSISTOR	[M]
Q6152	B1DEGF000004	TRANSISTOR	[M]
Q6201	B1DEGF000004	TRANSISTOR	[M]
Q6202	B1DEGF000004	TRANSISTOR	[M]
Q6251	B1DEGF000004	TRANSISTOR	[M]
Q6252	B1DEGF000004	TRANSISTOR	[M]
Q6301	B1DEGF000004	TRANSISTOR	[M]
Q6302	B1DEGF000004	TRANSISTOR	[M]
Q6351	B1DEGF000004	TRANSISTOR	[M]
Q6352	B1DEGF000004	TRANSISTOR	[M]
Q6451	B1DEGF000004	TRANSISTOR	[M]
Q6452	B1DEGF000004	TRANSISTOR	[M]
Q6802	B1ADCF000063	TRANSISTOR	[M]
Q6807	B1ABCF000079	TRANSISTOR	[M]
Q6808	B1ABCF000079	TRANSISTOR	[M]
Q6809	B1ABCF000079	TRANSISTOR	[M]
Q6810	B1CBGD000001	TRANSISTOR	[M]
Q6871	B1CBGD000001	TRANSISTOR	[M]
QR401	UNR211500L	TRANSISTOR	[M]
QR403	UNR211500L	TRANSISTOR	[M]
QR502	B1GDCFJJ0008	TRANSISTOR	[M]
QR503	UNR211500L	TRANSISTOR	[M]
QR901	B1GCCFJJ0008	TRANSISTOR	[M]
QR902	B1GACFGG0004	TRANSISTOR	[M]
QR903	B1GCCFJJ0008	TRANSISTOR	[M]
QR904	B1GACFGG0004	TRANSISTOR	[M]
QR905	B1GCCFJJ0008	TRANSISTOR	[M]
QR906	B1GACFGG0004	TRANSISTOR	[M]
QR907	B1GACFJN0007	TRANSISTOR	[M]

Ref. No.	Part No.	Part Name & Description	Remarks
QR909	B1GACFJN0007	TRANSISTOR	[M]
QR911	B1GACFJN0007	TRANSISTOR	[M]
QR1001	B1GDCCFJN0001	TRANSISTOR	[M]
QR1002	B1GBCFJJ0007	TRANSISTOR	[M]
QR1003	B1GBCFJJ0007	TRANSISTOR	[M]
QR6101	B1GBCFQQ0002	TRANSISTOR	[M]
QR6102	B1GBCFQQ0002	TRANSISTOR	[M]
QR6151	B1GBCFQQ0002	TRANSISTOR	[M]
QR6152	B1GBCFQQ0002	TRANSISTOR	[M]
QR6201	B1GBCFQQ0002	TRANSISTOR	[M]
QR6202	B1GBCFQQ0002	TRANSISTOR	[M]
QR6251	B1GBCFQQ0002	TRANSISTOR	[M]
QR6252	B1GBCFQQ0002	TRANSISTOR	[M]
QR6301	B1GBCFQQ0002	TRANSISTOR	[M]
QR6302	B1GBCFQQ0002	TRANSISTOR	[M]
QR6351	B1GBCFQQ0002	TRANSISTOR	[M]
QR6352	B1GBCFQQ0002	TRANSISTOR	[M]
QR6451	B1GBCFQQ0002	TRANSISTOR	[M]
QR6452	B1GBCFQQ0002	TRANSISTOR	[M]
QR6801	B1GBCFJN0009	TRANSISTOR	[M]
QR6803	B1GBCFJJ0007	TRANSISTOR	[M]
QR6804	B1GDCCFJJ0008	TRANSISTOR	[M]
QR6805	B1GDCCFJJ0008	TRANSISTOR	[M]
QR6806	B1GBCFJJ0007	TRANSISTOR	[M]
QR6811	B1GBCFQQ0002	TRANSISTOR	[M]
QR6851	B1GDCCFJJ0008	TRANSISTOR	[M]
QR6852	B1GDCCFJJ0008	TRANSISTOR	[M]
QR6861	B1GDCCFJJ0008	TRANSISTOR	[M]
QR6862	B1GDCCFJJ0008	TRANSISTOR	[M]
		DIODES	
D301	MA2J11100L	DIODE	[M]
D302	MA2J11100L	DIODE	[M]
D401	MA2J11100L	DIODE	[M]
D402	MA2J11100L	DIODE	[M]
D403	MA2J11100L	DIODE	[M]
D404	MA2J11100L	DIODE	[M]
D405	B0ADCJ000020	DIODE	[M]
D406	MAZ80560ML	DIODE	[M]
D407	MAZ80560ML	DIODE	[M]
D701	B0FFKC000001	DIODE	[M]
D702	B0ZAZ0000052	DIODE	[M]
D703	B0BA03000015	DIODE	[M]
D704	B0JAME000025	DIODE	[M]
D705	B0HAJL000001	DIODE	[M]
D706	B0HAJL000001	DIODE	[M]
D707	MTZJ39DTA	DIODE	[M]
D708	B0BA01800019	DIODE	[M]
D709	B0ACCK000005	DIODE	[M]
D710	B0HAJL000001	DIODE	[M]
D711	B0HASM000003	DIODE	[M]
D713	B0ACCK000005	DIODE	[M]
D714	B0ACCK000005	DIODE	[M]
D715	B0EDKT000009	DIODE	[M]
D721	B0HAJL000001	DIODE	[M]
D722	B0HAGR000002	DIODE	[M]
D723	B0JAJG000002	DIODE	[M]
D724	MAZ80470ML	DIODE	[M]
D728	B0ACCK000005	DIODE	[M]
D731	B0HAJL000001	DIODE	[M]
D732	B0JAME000025	DIODE	[M]
D733	B0HANM000012	DIODE	[M]
D734	B0HANM000012	DIODE	[M]
D735	B0HAJL000001	DIODE	[M]
D736	B0HAJL000001	DIODE	[M]
D737	B0HAJL000001	DIODE	[M]
D738	B0EAKM000122	DIODE	[M]
D739	B0ACCK000005	DIODE	[M]
D740	B0BA01800019	DIODE	[M]
D741	B0ACCK000005	DIODE	[M]
D742	B0ACCK000005	DIODE	[M]
D743	MAZ80560ML	DIODE	[M]
D744	B0ACCK000005	DIODE	[M]

Ref. No.	Part No.	Part Name & Description	Remarks
D745	B0EAKM000122	DIODE	[M]
D881	B0ACCK000005	DIODE	[M]
D882	B0ACCK000005	DIODE	[M]
D883	B0ACCK000005	DIODE	[M]
D884	B0EAKM000122	DIODE	[M]
D885	B0ACCK000005	DIODE	[M]
D902	MAZ80560ML	DIODE	[M]
D904	MA2J11100L	DIODE	[M]
D906	MA2J11100L	DIODE	[M]
D907	MA2J11100L	DIODE	[M]
D909	MA2J11100L	DIODE	[M]
D997	B3AAA0000487	DIODE	[M]
D998	B3AAA0000487	DIODE	[M]
D999	B3AAA0000489	DIODE	[M]
D1001	B0ACCK000005	DIODE	[M]
D1002	B0ACCK000005	DIODE	[M]
D1003	B0ACCK000005	DIODE	[M]
D1004	B0ACCK000005	DIODE	[M]
D1005	B0ACCK000005	DIODE	[M]
D1006	B0ACCK000005	DIODE	[M]
D6101	B0ACCK000005	DIODE	[M]
D6103	B0JCMG000016	DIODE	[M]
D6104	B0JCMG000016	DIODE	[M]
D6124	B0ACCK000005	DIODE	[M]
D6125	B0ACEM000009	DIODE	[M]
D6153	B0JCMG000016	DIODE	[M]
D6154	B0JCMG000016	DIODE	[M]
D6174	B0ACCK000005	DIODE	[M]
D6175	B0ACEM000009	DIODE	[M]
D6201	B0ACCK000005	DIODE	[M]
D6203	B0JCMG000016	DIODE	[M]
D6204	B0JCMG000016	DIODE	[M]
D6224	B0ACCK000005	DIODE	[M]
D6225	B0ACEM000009	DIODE	[M]
D6253	B0JCMG000016	DIODE	[M]
D6254	B0JCMG000016	DIODE	[M]
D6274	B0ACCK000005	DIODE	[M]
D6275	B0ACEM000009	DIODE	[M]
D6301	B0ACCK000005	DIODE	[M]
D6303	B0JCMG000016	DIODE	[M]
D6304	B0JCMG000016	DIODE	[M]
D6324	B0ACCK000005	DIODE	[M]
D6325	B0ACEM000009	DIODE	[M]
D6353	B0JCMG000016	DIODE	[M]
D6354	B0JCMG000016	DIODE	[M]
D6374	B0ACCK000005	DIODE	[M]
D6375	B0ACEM000009	DIODE	[M]
D6401	B0ACCK000005	DIODE	[M]
D6453	B0JCMG000016	DIODE	[M]
D6454	B0JCMG000016	DIODE	[M]
D6474	B0ACCK000005	DIODE	[M]
D6475	B0ACEM000009	DIODE	[M]
D6601	B0ACCK000005	DIODE	[M]
D6603	B0ACCK000005	DIODE	[M]
D6723	B0ACCK000005	DIODE	[M]
D6801	B0ACCE000003	DIODE	[M]
D6802	B0ACCE000003	DIODE	[M]
D6803	B0JCCE000002	DIODE	[M]
D6804	B0ACCK000005	DIODE	[M]
D6806	B0ACCK000005	DIODE	[M]
D6808	B0ACCE000003	DIODE	[M]
D6811	B0ACCK000005	DIODE	[M]
D6812	B0ACCK000005	DIODE	[M]
D6813	B0ACCK000005	DIODE	[M]
D6814	MAZ80560ML	DIODE	[M]
D6851	B0ACCK000005	DIODE	[M]
D6852	B0ACCK000005	DIODE	[M]
D6861	B0ACCK000005	DIODE	[M]
D6862	B0ACCK000005	DIODE	[M]
D6872	MAZ80390LL	DIODE	[M]
D6901	B0ACCK000005	DIODE	[M]
D6920	B0ACCK000005	DIODE	[M]
DZ701	ERZV10V511CS	ZNR	[M] △

Ref. No.	Part No.	Part Name & Description	Remarks
		CHIP INDUCTORS	
LB704	J0JKB0000020	EMI BEAD CORE	[M]
LB731	J0JKB0000020	EMI BEAD CORE	[M]
LB751	J0JBC0000014	CHIP COIL	[M]
LB752	J0JBC0000014	CHIP COIL	[M]
LB753	J0JBC0000014	CHIP COIL	[M]
LB1001	J0JCC0000119	FERRITE BEAD	[M]
LB1003	J0JHC0000021	CHIP COIL	[M]
LB1004	J0JCC0000119	FERRITE BEAD	[M]
LB1005	J0JHC0000021	CHIP COIL	[M]
LB1006	J0JHC0000021	CHIP COIL	[M]
LB1007	J0JHC0000021	CHIP COIL	[M]
LB1008	J0JHC0000021	CHIP COIL	[M]
LB1009	J0JCC0000119	FERRITE BEAD	[M]
LB1010	J0JCC0000119	FERRITE BEAD	[M]
LB1011	J0JHC0000021	CHIP COIL	[M]
LB1012	J0JHC0000021	CHIP COIL	[M]
LB1013	J0JHC0000021	CHIP COIL	[M]
LB1014	J0JHC0000021	CHIP COIL	[M]
LB1015	J0JHC0000021	CHIP COIL	[M]
LB6001	J0JGC0000017	FERRITE BEAD	[M]
LB6701	J0JGC0000017	FERRITE BEAD	[M]
LB6702	J0JGC0000017	FERRITE BEAD	[M]
LB6801	J0JBC0000014	CHIP COIL	[M]
LB6802	J0JBC0000014	CHIP COIL	[M]
LB6803	J0JBC0000014	CHIP COIL	[M]
LB6804	J0JBC0000014	CHIP COIL	[M]
LB6805	J0JBC0000014	CHIP COIL	[M]
LB6806	J0JBC0000014	CHIP COIL	[M]
LB6808	J0JBC0000014	CHIP COIL	[M]
LB6809	J0JBC0000014	CHIP COIL	[M]
LB6810	J0JBC0000014	CHIP COIL	[M]
LB6811	J0JBC0000014	CHIP COIL	[M]
LB6812	J0JBC0000014	CHIP COIL	[M]
LB6813	J0JBC0000014	CHIP COIL	[M]
LB6814	J0JBC0000014	CHIP COIL	[M]
LB6815	J0JBC0000014	CHIP COIL	[M]
LB6909	J0JBC0000014	CHIP COIL	[M]
LB6910	J0JBC0000014	CHIP COIL	[M]
LB6911	J0JBC0000014	CHIP COIL	[M]
		VARIABLE RESISTORS	
VR901	EVEKD2F3024B	ROTARY ENCODER	[M]
VR902	K9AA012A0007	ENCORDER	[M]
		SWITCHES	
S901	EVQ21405RJ	SW POWER	[M]
S902	EVQ21405RJ	SW SPEAKER A	[M]
S903	EVQ21405RJ	SW BAND	[M]
S904	EVQ21405RJ	SW PRESET	[M]
S906	EVQ21405RJ	SW SPEAKER B	[M]
S907	EVQ21405RJ	SW TUNE DOWN	[M]
S908	EVQ21405RJ	SW TUNE UP	[M]
S909	EVQ21405RJ	SW MULTI CONTROL	[M]
S910	EVQ21405RJ	SW ENTER	[M]
		CONNECTORS	
CN1001	K1MN14A00092	14P FFC CONNECTOR	[M]
CN1002	K1KA12BA0059	12P CONNECTOR	[M]
CN1003	K1KA06BA0047	6P CONNECTOR	[M]
CN1004	K1KB26A00044	26P CONNECTOR	[M]
P101	K1KA11AA0031	11P CONNECTOR	[M]
P301	K1MP06A00008	6P CONNECTOR	[M]
P302	K1MN14B00066	14P FFC CONNECTOR	[M]
P303	K1KA02AA0193	2P CONNECTOR	[M]
P401	K1MP07A00002	7P CONNECTOR	[M]
P402	K1KA03AA0193	3P CONNECTOR	[M]
P601	K1MP04A00007	4P CONNECTOR	[M]

Ref. No.	Part No.	Part Name & Description	Remarks
P602	K1MP08A00003	8P CONNECTOR	[M]
P603	K1MP04A00007	4P CONNECTOR	[M]
P605	K1MN19A00036	19P FFC CONNECTOR	[M]
P605B	K1MN19A00036	19P FFC CONNECTOR	[M]
P606	K1MP10A00007	10P CONNECTOR	[M]
P621	K1MP08A00003	8P CONNECTOR	[M]
P622	K1MP08A00003	8P CONNECTOR	[M]
P902	K1MP05A00009	5P CONNECTOR	[M]
P906	K1KA26A00089	26P CONNECTOR	[M]
P951A	K1MN19B00026	19P CONNECTOR	[M]
P951B	K1MN19A00036	19P FFC CONNECTOR	[M]
P6501A	K1MN25A00019	25P FFC CONNECTOR	[M]
P6501B	K1MN25A00019	25P FFC CONNECTOR	[M]
P6801	K1MN10A00030	10P CONNECTOR	[M]
P6901	K1MN10A00030	10P CONNECTOR	[M]
		COILS & TRANSFORMERS	
L101	G0A200D00002	RF CHOKE COIL	[M]
L301	J0JBC0000033	CHIP INDUCTOR	[M]
L302	J0JBC0000033	CHIP INDUCTOR	[M]
L303	J0JBC0000033	CHIP INDUCTOR	[M]
L304	J0JBC0000033	CHIP INDUCTOR	[M]
L305	J0JBC0000033	CHIP INDUCTOR	[M]
L306	J0JBC0000033	CHIP INDUCTOR	[M]
L307	J0JBC0000033	CHIP INDUCTOR	[M]
L309	J0JBC0000033	CHIP INDUCTOR	[M]
L310	J0JBC0000033	CHIP INDUCTOR	[M]
L311	J0JBC0000033	CHIP INDUCTOR	[M]
L312	J0JBC0000033	CHIP INDUCTOR	[M]
L313	J0JBC0000033	CHIP INDUCTOR	[M]
L314	J0JBC0000033	CHIP INDUCTOR	[M]
L315	J0JBC0000033	CHIP INDUCTOR	[M]
L496	VLQ0855M1R0T	CHIP INDUCTOR	[M]
L497	RLQZ150M-0	CHOKE COIL	[M]
L498	RLQZ150M-0	CHOKE COIL	[M]
L499	VLQ0855M1R0T	CHIP INDUCTOR	[M]
L701	ELF18N067E	COMMON MODE COIL	[M] △
L702	ELF21N024E	LINE FILTER COIL	[M] △
L703	ELF21N024E	LINE FILTER COIL	[M] △
L732	G0A200D00002	RF CHOKE COIL	[M]
L733	G0A200D00002	RF CHOKE COIL	[M]
L734	G0A200D00002	RF CHOKE COIL	[M]
L741	G0A200D00002	RF CHOKE COIL	[M]
L742	G0A200D00002	RF CHOKE COIL	[M]
L901	J0JBC0000014	CHIP COIL	[M]
L902	J0JBC0000014	CHIP COIL	[M]
L903	J0JBC0000014	CHIP COIL	[M]
L904	J0JBC0000014	CHIP COIL	[M]
L905	J0JBC0000014	CHIP COIL	[M]
L906	J0JBC0000014	CHIP COIL	[M]
L907	J0JBC0000014	CHIP COIL	[M]
L908	J0JBC0000014	CHIP COIL	[M]
L909	J0JBC0000014	CHIP COIL	[M]
L910	J0JBC0000014	CHIP COIL	[M]
L911	J0JBC0000014	CHIP COIL	[M]
L912	J0JBC0000014	CHIP COIL	[M]
L913	J0JBC0000014	CHIP COIL	[M]
L914	J0JBC0000014	CHIP COIL	[M]
L915	J0JBC0000033	CHIP INDUCTOR	[M]
L997	J0JBC0000014	CHIP COIL	[M]
L998	J0JBC0000014	CHIP COIL	[M]
L999	J0JBC0000014	CHIP COIL	[M]
L6101	G0C7R0K00003	TROIDAL COIL	[M]
L6102	G0C7R0K00003	TROIDAL COIL	[M]
L6103	G0C50NZ00001	4T COIL	[M]
L6104	G0C50NZ00001	4T COIL	[M]
L6151	G0C7R0K00003	TROIDAL COIL	[M]
L6152	G0C7R0K00003	TROIDAL COIL	[M]
L6153	G0C50NZ00001	4T COIL	[M]
L6154	G0C50NZ00001	4T COIL	[M]
L6201	G0C7R0K00003	TROIDAL COIL	[M]
L6202	G0C7R0K00003	TROIDAL COIL	[M]
L6203	G0C50NZ00001	4T COIL	[M]

Ref. No.	Part No.	Part Name & Description	Remarks
L6204	G0C50NZ00001	4T COIL	[M]
L6251	G0C7R0K00003	TROIDAL COIL	[M]
L6252	G0C7R0K00003	TROIDAL COIL	[M]
L6253	G0C50NZ00001	4T COIL	[M]
L6254	G0C50NZ00001	4T COIL	[M]
L6301	G0C7R0K00003	TROIDAL COIL	[M]
L6302	G0C7R0K00003	TROIDAL COIL	[M]
L6303	G0C50NZ00001	4T COIL	[M]
L6304	G0C50NZ00001	4T COIL	[M]
L6351	G0C7R0K00003	TROIDAL COIL	[M]
L6352	G0C7R0K00003	TROIDAL COIL	[M]
L6353	G0C50NZ00001	4T COIL	[M]
L6354	G0C50NZ00001	4T COIL	[M]
L6451	G0C7R0K00003	TROIDAL COIL	[M]
L6452	G0C7R0K00003	TROIDAL COIL	[M]
L6453	G0C50NZ00001	4T COIL	[M]
L6454	G0C50NZ00001	4T COIL	[M]
L6801	G1C4R7MA0098	CHIP COIL	[M]
L6901	G1C4R7MA0098	CHIP COIL	[M]
T701	ETS48AA133AD	POWER TRANSFORMER	[M] △
T721	ETS19AB1X6AG	POWER TRANSFORMER	[M] △
T731	ETS28AU2V9AC	SUB TRANSFORMER	[M] △
HS701	RMY0316	POWER HEAT SINK	[M]
HS702	RXX0266-1	HEAT SINK UNIT	[M]
		RELAYS	
RY601	K6B2AGA00011	SPEAKER RELAY	[M]
RY602	K6B2AGA00011	SPEAKER RELAY	[M]
RY603	K6B2CGA00086	SPEAKER RELAY	[M]
RY604	K6B2CGA00086	SPEAKER RELAY	[M]
RY605	K6B2CGA00086	SPEAKER RELAY	[M]
RY606	K6B2CGA00086	SPEAKER RELAY	[M]
RY721	K6B1AEA00003	POWER RELAY	[M] △
		OSCILLATORS	
X1001	H0J245500068	CRYSTAL OSCILLATOR	[M]
X1002	H0J240500023	CRYSTAL OSCILLATOR	[M]
X6801	H2D100500004	CHIP RESONATOR	[M]
X6901	H2D100500004	CHIP RESONATOR	[M]
		DISPLAY TUBE	
FL901	A2BB00000139	FL DISPLAY	[M]
		FUSE	
F1	K5D802AQ0001	FUSE	[M] △
ZA701	EYF52BCY	FUSE CLIP	[M]
ZA702	EYF52BCY	FUSE CLIP	[M]
		FUSE PROTECTOR	
FP701	K5G102AA0002	FUSE PROTECTOR	[M] △
ZJ701	K9Z200001279	EARTH PLATE	[M]
ZJ901	REX1161-1	WIRE	[M]
ZJ992	REX1161-1	WIRE	[M]
ZJ999	REX1199	WIRE	[M]
		THERMISTORS	
TH701	D4CAA5R10001	POWER THERMISTOR	[M]
TH702	D4CA33030001	THERMISTOR	[M]
TH6101	D4CA33030001	THERMISTOR	[M]
		JACKS	
JK301	K2HA306B0084	3P RCA JACK (VIDEO)	[M]
JK302	K2HA306B0084	3P RCA JACK (VIDEO)	[M]

Ref. No.	Part No.	Part Name & Description	Remarks
JK303	K2HZ212B0002	JK S-VIDEO	[M]
JK304	K2HZ212B0002	JK S-VIDEO	[M]
JK305	K2HA306B0085	JK COMPONENT VIDEO	[M]
JK306	K2HA306B0085	JK COMPONENT VIDEO	[M]
JK307	K2HA306B0085	JK COMPONENT VIDEO	[M]
JK308	K2HA306B0085	JK COMPONENT VIDEO	[M]
JK401	K4BK04H00008	JK 4P RCA	[M]
JK402	K2HA406B0025	JK 4P RCA (AUDIO)	[M]
JK403	K4BK04H00008	JK 4P RCA	[M]
JK404	K4BK04H00008	JK 4P RCA	[M]
JK405	K4BK04H00008	JK 4P RCA	[M]
JK407	K2HA102B0086	JK 1P RCA	[M]
JK409	B3RAB0000044	JK OPTICAL RECEIVER	[M]
JK410	B3RAB0000044	JK OPTICAL RECEIVER	[M]
JK412	K2HA204B0146	JK 2P RCA	[M]
JK601	K4BB04B00007	JK SPEAKER	[M]
JK602	K4BB08B00004	JK 8P SPEAKER	[M]
JK603	K4BB06B00004	JK 6P SEAPER	[M]
JK901	K4BK03K00002	JK FRONT VCR	[M]
JK903	K2HB103J0069	JK HEADPHONE	[M]
P701	K2AB2B000008	JK AC INLET	[M] △
		CHIP JUMPERS	
W151	ERJ3GEY0R00V	CHIP JUMPER	[M]
W152	ERJ3GEY0R00V	CHIP JUMPER	[M]
W153	ERJ3GEY0R00V	CHIP JUMPER	[M]
W154	ERJ3GEY0R00V	CHIP JUMPER	[M]
W155	ERJ3GEY0R00V	CHIP JUMPER	[M]
W156	ERJ3GEY0R00V	CHIP JUMPER	[M]
W157	ERJ3GEY0R00V	CHIP JUMPER	[M]
W158	ERJ3GEY0R00V	CHIP JUMPER	[M]
W360	ERJ3GEY0R00V	CHIP JUMPER	[M]
W361	ERJ6GEY0R00V	CHIP JUMPER	[M]
W362	ERJ6GEY0R00V	CHIP JUMPER	[M]
W365	ERJ3GEY0R00V	CHIP JUMPER	[M]
W366	ERJ6GEY0R00V	CHIP JUMPER	[M]
W368	ERJ3GEY0R00V	CHIP JUMPER	[M]
W369	ERJ3GEY0R00V	CHIP JUMPER	[M]
W370	ERJ6GEY0R00V	CHIP JUMPER	[M]
W371	ERJ3GEY0R00V	CHIP JUMPER	[M]
W372	ERJ6GEY0R00V	CHIP JUMPER	[M]
		WIRES	
JW101A	RWJ1811120SS	11P FLAT WIRE	[M]
JW301	RWJ1806130SQ	6P WIRE	[M]
JW304B	RWJ1809120SS	9P WIRE	[M]
JW401	RWJ1807090SQ	7P (POWER-O/I PCB)	[M]
JW601	RWJ1804210SQ	4P FLAT WIRE	[M]
JW602	RWJ1808280SQ	8P (POWER-MAIN PCB)	[M]
JW603	RWJ1804370SQ	4P FLAT WIRE	[M]
JW606	RWJ1810120SQ	10P WIRE (POWER-MAIN PCB)	[M]
JW621B	RWJ1808135SQ	8P WIRE	[M]
JW622B	RWJ1808090SQ	8P FLAT WIRE	[M]
JW901A	RWJ1803150SS	3P WIRE	[M]
JW902A	RWJ1805140SS	5P WIRE	[M]
JW903	RWJ1805160SQ	5P (PANEL-POWER PCB)	[M]
JW904	REX1206	SHIELD WIRE	[M]
JW1001	REX1193	SHIELD WIRE	[M]
JW1004	REX1192	SHIELD WIRE	[M]
		RESISTORS	
R101	D0GB473JA041	47K 1/16W	[M]
R102	D0GB473JA041	47K 1/16W	[M]
R103	D0GB222JA041	2.2K 1/16W	[M]
R104	D0GB392JA041	3.9K 1/16W	[M]
R105	D0GB392JA041	3.9K 1/16W	[M]
R106	D0GB332JA007	3.3K 1/16W	[M]
R107	ERDS1FVJ560T	56 1/2W	[M]
R108	ERDS1FVJ560T	56 1/2W	[M]
R301	ERJ3GEYJ750V	75 1/16W	[M]

Ref. No.	Part No.	Part Name & Description	Remarks
R302	ERJ3GEYJ750V	75 1/16W	[M]
R303	ERJ3GEYJ750V	75 1/16W	[M]
R304	ERJ3GEYJ750V	75 1/16W	[M]
R305	ERJ3GEYJ103V	10K 1/16W	[M]
R306	D0GB104JA007	100K 1/16W	[M]
R307	ERJ3GEYJ750V	75 1/16W	[M]
R308	ERJ3GEYJ750V	75 1/16W	[M]
R309	ERJ3GEYJ103V	10K 1/16W	[M]
R310	D0GB104JA007	100K 1/16W	[M]
R311	ERJ3GEYJ750V	75 1/16W	[M]
R313	ERJ3GEYJ103V	10K 1/16W	[M]
R315	ERJ3GEYJ750V	75 1/16W	[M]
R316	ERJ3GEYJ750V	75 1/16W	[M]
R317	ERJ3GEYJ103V	10K 1/16W	[M]
R318	D0GB104JA007	100K 1/16W	[M]
R319	ERJ3GEYJ750V	75 1/16W	[M]
R320	ERJ3GEYJ750V	75 1/16W	[M]
R321	ERJ3GEYJ750V	75 1/16W	[M]
R322	ERJ3GEYJ750V	75 1/16W	[M]
R323	ERJ3GEYJ102V	1K 1/16W	[M]
R324	ERJ3GEYJ102V	1K 1/16W	[M]
R325	ERJ3GEYJ102V	1K 1/16W	[M]
R327	ERJ3GEYJ750V	75 1/16W	[M]
R328	ERJ3GEYJ750V	75 1/16W	[M]
R329	ERJ3GEYJ103V	10K 1/16W	[M]
R330	ERJ3GEYJ750V	75 1/16W	[M]
R331	ERJ3GEYJ103V	10K 1/16W	[M]
R332	ERJ3GEYJ750V	75 1/16W	[M]
R333	ERJ3GEYJ103V	10K 1/16W	[M]
R334	ERJ3GEYJ750V	75 1/16W	[M]
R365	ERJ3GEYJ750V	75 1/16W	[M]
R385	ERJ3GEYJ750V	75 1/16W	[M]
R386	ERJ3GEYJ750V	75 1/16W	[M]
R387	ERJ3GEYJ750V	75 1/16W	[M]
R388	ERJ3GEYJ750V	75 1/16W	[M]
R389	ERJ3GEYJ750V	75 1/16W	[M]
R390	ERJ3GEYJ750V	75 1/16W	[M]
R391	ERJ3GEYJ750V	75 1/16W	[M]
R392	ERJ3GEYJ750V	75 1/16W	[M]
R393	ERJ3GEYJ750V	75 1/16W	[M]
R394	ERJ3GEYJ750V	75 1/16W	[M]
R395	ERJ3GEYJ750V	75 1/16W	[M]
R396	ERJ3GEYJ750V	75 1/16W	[M]
R397	ERJ3GEYJ102V	1K 1/16W	[M]
R398	ERJ3GEYJ102V	1K 1/16W	[M]
R399	ERJ3GEYJ102V	1K 1/16W	[M]
R401	ERJ3GEYJ102V	1K 1/16W	[M]
R402	ERJ3GEYJ102V	1K 1/16W	[M]
R403	ERJ3GEYJ102V	1K 1/16W	[M]
R404	ERJ3GEYJ102V	1K 1/16W	[M]
R405	ERJ3GEYJ102V	1K 1/16W	[M]
R406	ERJ3GEYJ102V	1K 1/16W	[M]
R409	ERJ3GEYJ102V	1K 1/16W	[M]
R410	ERJ3GEYJ102V	1K 1/16W	[M]
R411	ERJ3GEYJ102V	1K 1/16W	[M]
R412	ERJ3GEYJ102V	1K 1/16W	[M]
R413	ERJ3GEYJ102V	1K 1/16W	[M]
R414	ERJ3GEYJ102V	1K 1/16W	[M]
R415	ERJ3GEYJ102V	1K 1/16W	[M]
R416	ERJ3GEYJ102V	1K 1/16W	[M]
R417	ERJ3GEYJ102V	1K 1/16W	[M]
R418	ERJ3GEYJ102V	1K 1/16W	[M]
R419	ERJ3GEYJ102V	1K 1/16W	[M]
R420	ERJ3GEYJ102V	1K 1/16W	[M]
R421	ERJ3GEYJ102V	1K 1/16W	[M]
R422	ERJ3GEYJ102V	1K 1/16W	[M]
R423	ERJ3GEYJ102V	1K 1/16W	[M]
R424	D0GB473JA041	47K 1/16W	[M]
R425	D0GB473JA041	47K 1/16W	[M]
R428	ERJ3GEYJ102V	1K 1/16W	[M]
R429	ERJ3GEYJ102V	1K 1/16W	[M]
R430	ERJ3GEYJ103V	10K 1/16W	[M]
R431	ERJ3GEYJ103V	10K 1/16W	[M]
R432	ERJ3GEYJ103V	10K 1/16W	[M]

Ref. No.	Part No.	Part Name & Description	Remarks
R438	D0AF220JA039	22 1/4W	[M]
R439	D0AF220JA039	22 1/4W	[M]
R440	D0AF220JA039	22 1/4W	[M]
R441	ERDS1FVJ220T	22 1/2W	[M]
R442	ERDS1FVJ220T	22 1/2W	[M]
R443	D0GB182JA007	1.8K 1/16W	[M]
R444	D0GB182JA007	1.8K 1/16W	[M]
R491	D0GB470JA008	47 1/16W	[M]
R492	D0GB470JA008	47 1/16W	[M]
R494	ERJ3GEYJ103V	10K 1/16W	[M]
R495	ERJ3GEYJ103V	10K 1/16W	[M]
R496	ERJ3GEYJ100V	10 1/16W	[M]
R497	ERJ3GEYJ750V	75 1/16W	[M]
R498	ERJ3GEYJ100V	10 1/16W	[M]
R499	ERJ3GEYJ750V	75 1/16W	[M]
R501	ERJ3GEYJ102V	1K 1/16W	[M]
R502	ERJ3GEYJ102V	1K 1/16W	[M]
R503	D0GB104JA007	100K 1/16W	[M]
R504	D0GB104JA007	100K 1/16W	[M]
R506	D0GB473JA041	47K 1/16W	[M]
R507	D0GB473JA041	47K 1/16W	[M]
R508	D0GB332JA007	3.3K 1/16W	[M]
R509	D0GB332JA007	3.3K 1/16W	[M]
R510	D0GB182JA007	1.8K 1/16W	[M]
R511	D0GB182JA007	1.8K 1/16W	[M]
R512	ERJ3GEYJ822V	8.2K 1/16W	[M]
R513	ERJ3GEYJ822V	8.2K 1/16W	[M]
R514	D0GB472JA041	4.7K 1/16W	[M]
R515	D0GB472JA041	4.7K 1/16W	[M]
R516	ERJ3GEYJ103V	10K 1/16W	[M]
R517	ERJ3GEYJ103V	10K 1/16W	[M]
R518	ERJ3GEYJ103V	10K 1/16W	[M]
R519	ERJ3GEYJ103V	10K 1/16W	[M]
R520	ERJ3GEYJ103V	10K 1/16W	[M]
R521	ERJ3GEYJ103V	10K 1/16W	[M]
R522	ERJ3GEYJ102V	1K 1/16W	[M]
R523	ERJ3GEYJ102V	1K 1/16W	[M]
R524	D0GB104JA007	100K 1/16W	[M]
R525	D0GB104JA007	100K 1/16W	[M]
R526	D0GB473JA041	47K 1/16W	[M]
R527	D0GB473JA041	47K 1/16W	[M]
R528	D0GB332JA007	3.3K 1/16W	[M]
R529	D0GB332JA007	3.3K 1/16W	[M]
R530	D0GB182JA007	1.8K 1/16W	[M]
R531	D0GB182JA007	1.8K 1/16W	[M]
R532	ERJ3GEYJ822V	8.2K 1/16W	[M]
R533	ERJ3GEYJ822V	8.2K 1/16W	[M]
R534	D0GB472JA041	4.7K 1/16W	[M]
R535	D0GB472JA041	4.7K 1/16W	[M]
R536	ERJ3GEYJ103V	10K 1/16W	[M]
R537	ERJ3GEYJ103V	10K 1/16W	[M]
R538	ERJ3GEYJ103V	10K 1/16W	[M]
R539	ERJ3GEYJ103V	10K 1/16W	[M]
R540	ERJ3GEYJ103V	10K 1/16W	[M]
R541	ERJ3GEYJ103V	10K 1/16W	[M]
R542	ERJ3GEYJ102V	1K 1/16W	[M]
R543	ERJ3GEYJ102V	1K 1/16W	[M]
R544	D0GB104JA007	100K 1/16W	[M]
R545	D0GB104JA007	100K 1/16W	[M]
R546	D0GB473JA041	47K 1/16W	[M]
R547	D0GB473JA041	47K 1/16W	[M]
R548	D0GB332JA007	3.3K 1/16W	[M]
R549	D0GB332JA007	3.3K 1/16W	[M]
R550	D0GB182JA007	1.8K 1/16W	[M]
R551	D0GB182JA007	1.8K 1/16W	[M]
R552	ERJ3GEYJ822V	8.2K 1/16W	[M]
R553	ERJ3GEYJ822V	8.2K 1/16W	[M]
R554	D0GB472JA041	4.7K 1/16W	[M]
R555	D0GB472JA041	4.7K 1/16W	[M]
R556	ERJ3GEYJ103V	10K 1/16W	[M]
R557	ERJ3GEYJ103V	10K 1/16W	[M]
R558	ERJ3GEYJ103V	10K 1/16W	[M]
R559	ERJ3GEYJ103V	10K 1/16W	[M]
R560	ERJ3GEYJ103V	10K 1/16W	[M]

Ref. No.	Part No.	Part Name & Description	Remarks
R561	ERJ3GEYJ103V	10K 1/16W	[M]
R576	ERG3SJ470P	47 3W	[M]
R577	ERG3SJ470P	47 3W	[M]
R578	D0GB152JA007	1.5K 1/16W	[M]
R579	ERJ3GEYJ824V	820K 1/16W	[M]
R581	ERJ3GEYJ564V	560K 1/16W	[M]
R582	D0GB222JA041	2.2K 1/16W	[M]
R583	D0GB104JA007	100K 1/16W	[M]
R599	D0GB4R7JA007	4.7 1/16W	[M]
R600	D0GB4R7JA007	4.7 1/16W	[M]
R601	ERJ3GEYJ102V	1K 1/16W	[M]
R602	ERJ3GEYJ102V	1K 1/16W	[M]
R603	ERJ3GEYJ102V	1K 1/16W	[M]
R604	ERJ3GEYJ103V	10K 1/16W	[M]
R605	ERJ3GEYJ103V	10K 1/16W	[M]
R701	ERC12UGK335D	3.3M 1/2W	[M]
R702	ERG2SJ333P	33K 2W	[M]
R703	ERDS2TJ681T	680 1/4W	[M]
R704	ERX2LJ68MP	0.68 2W	[M]
R705	ERX2LJ56MP	0.56 2W	[M]
R706	ERDS2TJ333T	33K 1/4W	[M]
R707	ERDS2TJ333T	33K 1/4W	[M]
R708	ERDS2TJ332T	3.3K 1/4W	[M]
R709	ERDS2TJ222T	2.2K 1/4W	[M]
R710	DOAE103JA048	10K 1/4W	[M]
R711	ERDS2TJ220T	22 1/4W	[M]
R712	DOAE272JA048	2.7K 1/4W	[M]
R713	ERD25FVJ151T	150 1/4W	[M]
R714	ER0S2THF4701	47 1/4W	[M]
R715	ER0S2THF1301	13 1/4W	[M]
R716	DOAE103JA048	10K 1/4W	[M]
R717	ERJ3EKF3902V	39 3W	[M]
R718	ERJ3EKF6802V	68 3W	[M]
R719	D0GB473JA041	47K 1/16W	[M]
R720	D0GB332JA007	3.3K 1/16W	[M]
R721	ERJ3EKF2550V	2.5M 3W	[M]
R722	ERJ3EKF2550V	2.5M 3W	[M]
R723	D0GB101JA007	100 1/16W	[M]
R724	D0GB101JA007	100 1/16W	[M]
R725	ERD25FVJ6R8T	6.8 1/4W	[M]
R726	ERDS2TJ332T	3.3K 1/4W	[M]
R727	ERDS2TJ102T	1K 1/4W	[M]
R729	DOAE223JA048	22K 1/4W	[M]
R730	D0GB472JA041	4.7K 1/16W	[M]
R731	ERDS1FVJ222T	2.2K 1/2W	[M]
R732	ERX2SJR22P	0.22 2W	[M]
R733	ERJ3EKF6801V	68 3W	[M]
R734	ERJ3EKF4701V	47 3W	[M]
R735	D0GB154JA007	150K 1/16W	[M]
R736	ERJ3GEYJ102V	1K 1/16W	[M]
R737	ERJ3GEYJ103V	10K 1/16W	[M]
R738	D0GB683JA007	68K 1/16W	[M]
R739	D0GB823JA007	82K 1/16W	[M]
R740	ERJ3GEYJ682V	6.8K 1/16W	[M]
R741	D0GB101JA007	100 1/16W	[M]
R742	D0GB183JA007	18K 1/16W	[M]
R743	D0AF220JA039	22 1/4W	[M]
R744	ERDS2TJ2R2T	2.2 1/4W	[M]
R745	D0GB223JA041	22K 1/16W	[M]
R746	D0GB683JA007	68K 1/16W	[M]
R747	D0GB124JA007	120K 1/16W	[M]
R748	D0GB223JA041	22K 1/16W	[M]
R749	D0GB222JA041	2.2K 1/16W	[M]
R750	D0GB473JA041	47K 1/16W	[M]
R753	ERX2SJR22P	0.22 2W	[M]
R754	ERX2SJR22P	0.22 2W	[M]
R755	D0GB221JA041	220 1/16W	[M]
R756	D0GB392JA041	3.9K 1/16W	[M]
R757	D0GB472JA041	4.7K 1/16W	[M]
R761	D0GB333JA007	33K 1/16W	[M]
R762	D0GB152JA007	1.5K 1/16W	[M]
R763	D0GB152JA007	1.5K 1/16W	[M]
R764	ERJ3GEYJ682V	6.8K 1/16W	[M]
R771	ERDS2TJ220T	22 1/4W	[M]

Ref. No.	Part No.	Part Name & Description	Remarks
R772	D0AE104JA048	100K 1/4W	[M]
R773	D0GB474JA041	470K 1/16W	[M]
R774	D0GB153JA007	15K 1/16W	[M]
R775	ERJ3GEYJ681V	680 1/16W	[M]
R776	D0GB471JA041	470 1/16W	[M]
R798	D0GB473JA041	47K 1/16W	[M]
R799	D0GB101JA007	100 1/16W	[M]
R800	D0GB101JA007	100 1/16W	[M]
R881	ERDS2TJ332T	3.3K 1/4W	[M]
R883	ERDS2TJ332T	3.3K 1/4W	[M]
R887	ERDS2TJ332T	3.3K 1/4W	[M]
R888	ERDS2TJ332T	3.3K 1/4W	[M]
R901	ERJ3GEYJ102V	1K 1/16W	[M]
R902	ERJ3GEYJ102V	1K 1/16W	[M]
R903	ERJ3GEYJ750V	75 1/16W	[M]
R904	D0GB104JA007	100K 1/16W	[M]
R907	D0GB100JA007	10 1/16W	[M]
R908	D0GB101JA007	100 1/16W	[M]
R909	D0GB104JA007	100K 1/16W	[M]
R910	D0GB104JA007	100K 1/16W	[M]
R911	D0GB104JA007	100K 1/16W	[M]
R912	ERJ3GEYJ102V	1K 1/16W	[M]
R913	ERJ3GEYJ103V	10K 1/16W	[M]
R914	ERJ3GEYJ102V	1K 1/16W	[M]
R915	ERJ3GEYJ102V	1K 1/16W	[M]
R916	ERJ3GEYJ102V	1K 1/16W	[M]
R917	D0GB182JA007	1.8K 1/16W	[M]
R921	D0GB271JA007	270 1/16W	[M]
R925	D0GB271JA007	270 1/16W	[M]
R931	ERJ3GEYJ102V	1K 1/16W	[M]
R932	ERJ3GEYJ122V	1.2K 1/16W	[M]
R933	D0GB152JA007	1.5K 1/16W	[M]
R936	ERJ3GEYJ102V	1K 1/16W	[M]
R937	ERJ3GEYJ122V	1.2K 1/16W	[M]
R938	D0GB152JA007	1.5K 1/16W	[M]
R939	D0GB182JA007	1.8K 1/16W	[M]
R940	ERJ6GEY0R00V	0 1/10W	[M]
R941	ERJ3GEYJ103V	10K 1/16W	[M]
R942	D0GB473JA041	47K 1/16W	[M]
R943	D0GB473JA041	47K 1/16W	[M]
R944	D0GB473JA041	47K 1/16W	[M]
R945	ERJ3GEY0R00V	0 1/16W	[M]
R946	ERJ3GEY0R00V	0 1/16W	[M]
R947	ERJ3GEY0R00V	0 1/16W	[M]
R1001	ERJ3GEYJ681V	680 1/16W	[M]
R1002	ERJ3GEYJ103V	10K 1/16W	[M]
R1003	D0GB105JA007	1M 1/16W	[M]
R1004	D0GB105JA007	1M 1/16W	[M]
R1005	D0GB101JA007	100 1/16W	[M]
R1006	D0GB101JA007	100 1/16W	[M]
R1007	D0GB101JA007	100 1/16W	[M]
R1008	D0GB101JA007	100 1/16W	[M]
R1009	D0GB101JA007	100 1/16W	[M]
R1010	D0GB101JA007	100 1/16W	[M]
R1011	D0GB101JA007	100 1/16W	[M]
R1012	D0GB101JA007	100 1/16W	[M]
R1013	D0GB101JA007	100 1/16W	[M]
R1014	D0GB101JA007	100 1/16W	[M]
R1015	D0GB101JA007	100 1/16W	[M]
R1016	D0GB101JA007	100 1/16W	[M]
R1017	D0GB101JA007	100 1/16W	[M]
R1018	D0GB101JA007	100 1/16W	[M]
R1019	D0GB101JA007	100 1/16W	[M]
R1020	D0GB101JA007	100 1/16W	[M]
R1021	D0GB101JA007	100 1/16W	[M]
R1022	D0GB101JA007	100 1/16W	[M]
R1023	D0GB101JA007	100 1/16W	[M]
R1024	D0GB101JA007	100 1/16W	[M]
R1025	D0GB101JA007	100 1/16W	[M]
R1026	D0GB101JA007	100 1/16W	[M]
R1027	D0GB101JA007	100 1/16W	[M]
R1028	D0GB101JA007	100 1/16W	[M]
R1029	D0GB101JA007	100 1/16W	[M]
R1030	D0GB101JA007	100 1/16W	[M]

Ref. No.	Part No.	Part Name & Description	Remarks
R1031	D0GB101JA007	100 1/16W	[M]
R1032	D0GB471JA041	470 1/16W	[M]
R1033	D0GB330JA007	33 1/16W	[M]
R1034	D0GB330JA007	33 1/16W	[M]
R1035	D0GB470JA008	47 1/16W	[M]
R1036	D0GB470JA008	47 1/16W	[M]
R1037	D0GB470JA008	47 1/16W	[M]
R1038	D0GB470JA008	47 1/16W	[M]
R1042	D0GB470JA008	47 1/16W	[M]
R1043	D0GB470JA008	47 1/16W	[M]
R1044	D0GB470JA008	47 1/16W	[M]
R1045	D0GB470JA008	47 1/16W	[M]
R1046	D0GB330JA007	33 1/16W	[M]
R1047	D0GB330JA007	33 1/16W	[M]
R1048	ERJ3GEYJ103V	10K 1/16W	[M]
R1049	D0GB183JA007	18K 1/16W	[M]
R1050	D0GB470JA008	47 1/16W	[M]
R1051	D0GB471JA041	470 1/16W	[M]
R1052	D0GB471JA041	470 1/16W	[M]
R1053	D0GB470JA008	47 1/16W	[M]
R1054	D0GB330JA007	33 1/16W	[M]
R1055	D0GB330JA007	33 1/16W	[M]
R1056	D0GB330JA007	33 1/16W	[M]
R1057	D0GB330JA007	33 1/16W	[M]
R1058	ERJ3GEYJ103V	10K 1/16W	[M]
R1059	D0GB330JA007	33 1/16W	[M]
R1060	D0GB330JA007	33 1/16W	[M]
R1061	D0GB330JA007	33 1/16W	[M]
R1062	D0GB330JA007	33 1/16W	[M]
R1063	D0GB330JA007	33 1/16W	[M]
R1064	D0GB330JA007	33 1/16W	[M]
R1065	D0GB330JA007	33 1/16W	[M]
R1066	D0GB330JA007	33 1/16W	[M]
R1067	D0GB330JA007	33 1/16W	[M]
R1068	D0GB330JA007	33 1/16W	[M]
R1069	D0GB330JA007	33 1/16W	[M]
R1070	D0GB330JA007	33 1/16W	[M]
R1071	D0GB330JA007	33 1/16W	[M]
R1072	D0GB330JA007	33 1/16W	[M]
R1073	D0GB330JA007	33 1/16W	[M]
R1074	D0GB330JA007	33 1/16W	[M]
R1075	D0GB330JA007	33 1/16W	[M]
R1076	D0GB330JA007	33 1/16W	[M]
R1077	D0GB330JA007	33 1/16W	[M]
R1078	D0GB330JA007	33 1/16W	[M]
R1079	D0GB330JA007	33 1/16W	[M]
R1080	D0GB330JA007	33 1/16W	[M]
R1081	D0GB330JA007	33 1/16W	[M]
R1082	D0GB330JA007	33 1/16W	[M]
R1083	D0GB330JA007	33 1/16W	[M]
R1084	D0GB330JA007	33 1/16W	[M]
R1085	D0GB330JA007	33 1/16W	[M]
R1086	ERJ3GEYJ103V	10K 1/16W	[M]
R1087	D0GB100JA007	10 1/16W	[M]
R1088	D0GB100JA007	10 1/16W	[M]
R1089	D0GB100JA007	10 1/16W	[M]
R1090	D0GB100JA007	10 1/16W	[M]
R1091	D0GB100JA007	10 1/16W	[M]
R1092	D0GB100JA007	10 1/16W	[M]
R1093	D0GB100JA007	10 1/16W	[M]
R1094	D0GB101JA007	100 1/16W	[M]
R1095	ERJ3GEY0R00Z	0 1/16W	[M]
R1097	D0GB1R0JA007	1 1/16W	[M]
R1098	D0GB1R0JA007	1 1/16W	[M]
R6001	ERJ3GEYJ102V	1K 1/16W	[M]
R6002	ERJ3GEYJ102V	1K 1/16W	[M]
R6003	D0GB562JA007	5.6K 1/16W	[M]
R6004	D0GB562JA007	5.6K 1/16W	[M]
R6005	D0GB470JA008	47 1/16W	[M]
R6006	D0GB470JA008	47 1/16W	[M]
R6007	D0GB332JA007	3.3K 1/16W	[M]
R6008	D0GB332JA007	3.3K 1/16W	[M]
R6009	D0GB332JA007	3.3K 1/16W	[M]
R6010	D0GB332JA007	3.3K 1/16W	[M]

Ref. No.	Part No.	Part Name & Description	Remarks
R6011	D0GB332JA007	3.3K 1/16W	[M]
R6012	D0GB332JA007	3.3K 1/16W	[M]
R6013	D0GB332JA007	3.3K 1/16W	[M]
R6014	D0GB332JA007	3.3K 1/16W	[M]
R6015	ERJ3GEYJ102V	1K 1/16W	[M]
R6016	ERJ3GEYJ102V	1K 1/16W	[M]
R6017	D0GB472JA041	4.7K 1/16W	[M]
R6018	D0GB472JA041	4.7K 1/16W	[M]
R6019	D0GB472JA041	4.7K 1/16W	[M]
R6020	D0GB472JA041	4.7K 1/16W	[M]
R6021	ERJ3GEYJ102V	1K 1/16W	[M]
R6022	ERJ3GEYJ102V	1K 1/16W	[M]
R6023	D0GB562JA007	5.6K 1/16W	[M]
R6024	D0GB562JA007	5.6K 1/16W	[M]
R6025	D0GB470JA008	47 1/16W	[M]
R6026	D0GB470JA008	47 1/16W	[M]
R6027	D0GB332JA007	3.3K 1/16W	[M]
R6028	D0GB332JA007	3.3K 1/16W	[M]
R6029	D0GB332JA007	3.3K 1/16W	[M]
R6030	D0GB332JA007	3.3K 1/16W	[M]
R6031	D0GB332JA007	3.3K 1/16W	[M]
R6032	D0GB332JA007	3.3K 1/16W	[M]
R6033	D0GB332JA007	3.3K 1/16W	[M]
R6034	D0GB332JA007	3.3K 1/16W	[M]
R6035	ERJ3GEYJ102V	1K 1/16W	[M]
R6036	ERJ3GEYJ102V	1K 1/16W	[M]
R6037	D0GB472JA041	4.7K 1/16W	[M]
R6038	D0GB472JA041	4.7K 1/16W	[M]
R6039	D0GB472JA041	4.7K 1/16W	[M]
R6040	D0GB472JA041	4.7K 1/16W	[M]
R6041	D0GB3R3JA007	3.3 1/16W	[M]
R6042	D0GB3R3JA007	3.3 1/16W	[M]
R6043	D0GB101JA007	100 1/16W	[M]
R6044	D0GB101JA007	100 1/16W	[M]
R6045	D0GB332JA007	3.3K 1/16W	[M]
R6046	D0GB332JA007	3.3K 1/16W	[M]
R6047	D0GB332JA007	3.3K 1/16W	[M]
R6048	D0GB332JA007	3.3K 1/16W	[M]
R6049	D0GB332JA007	3.3K 1/16W	[M]
R6050	D0GB332JA007	3.3K 1/16W	[M]
R6051	D0GB104JA007	100K 1/16W	[M]
R6052	D0GB104JA007	100K 1/16W	[M]
R6053	D0GB104JA007	100K 1/16W	[M]
R6054	D0GB104JA007	100K 1/16W	[M]
R6055	D0GB332JA007	3.3K 1/16W	[M]
R6056	D0GB332JA007	3.3K 1/16W	[M]
R6057	ERJ3GEYJ102V	1K 1/16W	[M]
R6058	ERJ3GEYJ102V	1K 1/16W	[M]
R6059	D0GB473JA041	47K 1/16W	[M]
R6060	D0GB473JA041	47K 1/16W	[M]
R6061	D0GB151JA007	150 1/16W	[M]
R6062	D0GB151JA007	150 1/16W	[M]
R6063	D0GB151JA007	150 1/16W	[M]
R6064	D0GB151JA007	150 1/16W	[M]
R6065	D0GB151JA007	150 1/16W	[M]
R6066	D0GB151JA007	150 1/16W	[M]
R6067	D0GB151JA007	150 1/16W	[M]
R6068	D0GB151JA007	150 1/16W	[M]
R6069	D0GB151JA007	150 1/16W	[M]
R6070	D0GB151JA007	150 1/16W	[M]
R6071	D0GB151JA007	150 1/16W	[M]
R6072	D0GB151JA007	150 1/16W	[M]
R6073	ERJ3GEYJ102V	1K 1/16W	[M]
R6074	ERJ3GEYJ102V	1K 1/16W	[M]
R6075	ERJ3GEYJ102V	1K 1/16W	[M]
R6076	ERJ3GEYJ102V	1K 1/16W	[M]
R6077	ERJ3GEYJ103V	10K 1/16W	[M]
R6078	D0GB104JA007	100K 1/16W	[M]
R6079	ERJ3GEYJ103V	10K 1/16W	[M]
R6080	D0GB473JA041	47K 1/16W	[M]
R6081	D0GB562JA007	5.6K 1/16W	[M]
R6082	D0GB562JA007	5.6K 1/16W	[M]
R6083	D0GB223JA041	22K 1/16W	[M]
R6084	D0GB223JA041	22K 1/16W	[M]

Ref. No.	Part No.	Part Name & Description	Remarks
R6085	D0GB223JA041	22K 1/16W	[M]
R6086	D0GB223JA041	22K 1/16W	[M]
R6087	D0GB101JA007	100 1/16W	[M]
R6088	D0GB104JA007	100K 1/16W	[M]
R6089	D0GB3R3JA007	3.3 1/16W	[M]
R6090	D0GB104JA007	100K 1/16W	[M]
R6091	ERJ3GEYJ103V	10K 1/16W	[M]
R6092	ERJ3GEYJ103V	10K 1/16W	[M]
R6093	ERJ3GEYJ103V	10K 1/16W	[M]
R6094	ERJ3GEYJ223V	22K 1/16W	[M]
R6095	D0GB473JA041	47K 1/16W	[M]
R6096	ERJ3GEYJ102V	1K 1/16W	[M]
R6097	ERJ3GEYJ102V	1K 1/16W	[M]
R6098	ERJ3GEYJ102V	1K 1/16W	[M]
R6099	ERJ3GEYJ102V	1K 1/16W	[M]
R6100	ERJ3GEY0R00V	0 1/16W	[M]
R6101	D0GB1R0JA007	1 1/16W	[M]
R6102	D0GB1R0JA007	1 1/16W	[M]
R6103	D0GD3R3JA003	3.3 1/16W	[M]
R6104	D0GD3R3JA003	3.3 1/16W	[M]
R6105	D0GD3R3JA003	3.3 1/16W	[M]
R6106	D0GD3R3JA003	3.3 1/16W	[M]
R6107	ERJ8GEYJ2R7V	2.7 1/8W	[M]
R6108	ERJ8GEYJ2R7V	2.7 1/8W	[M]
R6109	ERJ8GEYJ2R7V	2.7 1/8W	[M]
R6110	ERJ8GEYJ2R7V	2.7 1/8W	[M]
R6112	ERJ14YJ472U	4.7K 1/4W	[M]
R6114	ERJ14YJ472U	4.7K 1/4W	[M]
R6115	D0GB4R7JA007	4.7 1/16W	[M]
R6116	D0GB4R7JA007	4.7 1/16W	[M]
R6117	D0GD3R3JA003	3.3 1/16W	[M]
R6118	D0GB1R0JA007	1 1/16W	[M]
R6119	ERJ3GEY0R00V	0 1/16W	[M]
R6121	D0GB224JA007	220K 1/16W	[M]
R6122	D0GB224JA007	220K 1/16W	[M]
R6123	D0GB223JA041	22K 1/16W	[M]
R6124	ERJ3GEYJ103V	10K 1/16W	[M]
R6125	ERJ3GEYJ103V	10K 1/16W	[M]
R6127	ERJ6GEYJ5R6V	5.6 1/10W	[M]
R6129	ERJ6GEYJ5R6V	5.6 1/10W	[M]
R6131	D0GB3R3JA007	3.3 1/16W	[M]
R6132	D0GB3R3JA007	3.3 1/16W	[M]
R6133	D0GB473JA041	47K 1/16W	[M]
R6134	D0GB223JA041	22K 1/16W	[M]
R6135	D0GB473JA041	47K 1/16W	[M]
R6136	D0GB223JA041	22K 1/16W	[M]
R6141	ERJ3GEYJ682V	6.8K 1/16W	[M]
R6142	ERJ3GEYJ3R3V	3.3 1/16W	[M]
R6151	D0GB1R0JA007	1 1/16W	[M]
R6152	D0GB1R0JA007	1 1/16W	[M]
R6153	D0GD3R3JA003	3.3 1/16W	[M]
R6154	D0GD3R3JA003	3.3 1/16W	[M]
R6155	D0GD3R3JA003	3.3 1/16W	[M]
R6156	D0GD3R3JA003	3.3 1/16W	[M]
R6157	ERJ8GEYJ2R7V	2.7 1/8W	[M]
R6158	ERJ8GEYJ2R7V	2.7 1/8W	[M]
R6159	ERJ8GEYJ2R7V	2.7 1/8W	[M]
R6160	ERJ8GEYJ2R7V	2.7 1/8W	[M]
R6162	ERJ14YJ472U	4.7K 1/4W	[M]
R6164	ERJ14YJ472U	4.7K 1/4W	[M]
R6165	D0GB4R7JA007	4.7 1/16W	[M]
R6166	D0GB4R7JA007	4.7 1/16W	[M]
R6167	D0GD3R3JA003	3.3 1/16W	[M]
R6168	D0GB1R0JA007	1 1/16W	[M]
R6171	D0GB224JA007	220K 1/16W	[M]
R6172	D0GB224JA007	220K 1/16W	[M]
R6173	D0GB223JA041	22K 1/16W	[M]
R6174	ERJ3GEYJ103V	10K 1/16W	[M]
R6175	ERJ3GEYJ103V	10K 1/16W	[M]
R6177	ERJ6GEYJ5R6V	5.6 1/10W	[M]
R6179	ERJ6GEYJ5R6V	5.6 1/10W	[M]
R6201	D0GB1R0JA007	1 1/16W	[M]
R6202	D0GB1R0JA007	1 1/16W	[M]
R6203	D0GD3R3JA003	3.3 1/16W	[M]

Ref. No.	Part No.	Part Name & Description	Remarks
R6204	D0GD3R3JA003	3.3 1/16W	[M]
R6205	D0GD3R3JA003	3.3 1/16W	[M]
R6206	D0GD3R3JA003	3.3 1/16W	[M]
R6207	ERJ8GEYJ2R7V	2.7 1/8W	[M]
R6208	ERJ8GEYJ2R7V	2.7 1/8W	[M]
R6209	ERJ8GEYJ2R7V	2.7 1/8W	[M]
R6210	ERJ8GEYJ2R7V	2.7 1/8W	[M]
R6212	ERJ14YJ472U	4.7K 1/4W	[M]
R6214	ERJ14YJ472U	4.7K 1/4W	[M]
R6215	D0GB4R7JA007	4.7 1/16W	[M]
R6216	D0GB4R7JA007	4.7 1/16W	[M]
R6217	D0GD3R3JA003	3.3 1/16W	[M]
R6218	D0GB1R0JA007	1 1/16W	[M]
R6219	ERJ3GEY0R00V	0 1/16W	[M]
R6221	D0GB224JA007	220K 1/16W	[M]
R6222	D0GB224JA007	220K 1/16W	[M]
R6223	D0GB223JA041	22K 1/16W	[M]
R6224	ERJ3GEYJ103V	10K 1/16W	[M]
R6225	ERJ3GEYJ103V	10K 1/16W	[M]
R6227	ERJ6GEYJ5R6V	5.6 1/10W	[M]
R6229	ERJ6GEYJ5R6V	5.6 1/10W	[M]
R6231	D0GB3R3JA007	3.3 1/16W	[M]
R6232	D0GB3R3JA007	3.3 1/16W	[M]
R6233	D0GB473JA041	47K 1/16W	[M]
R6234	D0GB223JA041	22K 1/16W	[M]
R6235	D0GB473JA041	47K 1/16W	[M]
R6236	D0GB223JA041	22K 1/16W	[M]
R6241	D0GB562JA008	5.6K 1/16W	[M]
R6242	D0GB3R3JA007	3.3 1/16W	[M]
R6251	D0GB1R0JA007	1 1/16W	[M]
R6252	D0GB1R0JA007	1 1/16W	[M]
R6253	D0GD3R3JA003	3.3 1/16W	[M]
R6254	D0GD3R3JA003	3.3 1/16W	[M]
R6255	D0GD3R3JA003	3.3 1/16W	[M]
R6256	D0GD3R3JA003	3.3 1/16W	[M]
R6257	ERJ8GEYJ2R7V	2.7 1/8W	[M]
R6258	ERJ8GEYJ2R7V	2.7 1/8W	[M]
R6259	ERJ8GEYJ2R7V	2.7 1/8W	[M]
R6260	ERJ8GEYJ2R7V	2.7 1/8W	[M]
R6262	ERJ14YJ472U	4.7K 1/4W	[M]
R6264	ERJ14YJ472U	4.7K 1/4W	[M]
R6265	D0GB4R7JA007	4.7 1/16W	[M]
R6266	D0GB4R7JA007	4.7 1/16W	[M]
R6267	D0GD3R3JA003	3.3 1/16W	[M]
R6268	D0GB1R0JA007	1 1/16W	[M]
R6271	D0GB224JA007	220K 1/16W	[M]
R6272	D0GB224JA007	220K 1/16W	[M]
R6273	D0GB223JA041	22K 1/16W	[M]
R6274	ERJ3GEYJ103V	10K 1/16W	[M]
R6275	ERJ3GEYJ103V	10K 1/16W	[M]
R6277	ERJ6GEYJ5R6V	5.6 1/10W	[M]
R6279	ERJ6GEYJ5R6V	5.6 1/10W	[M]
R6301	D0GB1R0JA007	1 1/16W	[M]
R6302	D0GB1R0JA007	1 1/16W	[M]
R6303	D0GD3R3JA003	3.3 1/16W	[M]
R6304	D0GD3R3JA003	3.3 1/16W	[M]
R6305	D0GD3R3JA003	3.3 1/16W	[M]
R6306	D0GD3R3JA003	3.3 1/16W	[M]
R6307	ERJ8GEYJ2R7V	2.7 1/8W	[M]
R6308	ERJ8GEYJ2R7V	2.7 1/8W	[M]
R6309	ERJ8GEYJ2R7V	2.7 1/8W	[M]
R6310	ERJ8GEYJ2R7V	2.7 1/8W	[M]
R6312	ERJ14YJ472U	4.7K 1/4W	[M]
R6314	ERJ14YJ472U	4.7K 1/4W	[M]
R6315	D0GB4R7JA007	4.7 1/16W	[M]
R6316	D0GB4R7JA007	4.7 1/16W	[M]
R6317	D0GD3R3JA003	3.3 1/16W	[M]
R6318	D0GB1R0JA007	1 1/16W	[M]
R6319	ERJ3GEY0R00V	0 1/16W	[M]
R6321	D0GB224JA007	220K 1/16W	[M]
R6322	D0GB224JA007	220K 1/16W	[M]
R6323	D0GB223JA041	22K 1/16W	[M]
R6324	ERJ3GEYJ103V	10K 1/16W	[M]
R6325	ERJ3GEYJ103V	10K 1/16W	[M]

Ref. No.	Part No.	Part Name & Description	Remarks
R6327	ERJ6GEYJ5R6V	5.6 1/10W	[M]
R6329	ERJ6GEYJ5R6V	5.6 1/10W	[M]
R6331	D0GB3R3JA007	3.3 1/16W	[M]
R6332	D0GB3R3JA007	3.3 1/16W	[M]
R6333	D0GB473JA041	47K 1/16W	[M]
R6334	D0GB223JA041	22K 1/16W	[M]
R6335	D0GB473JA041	47K 1/16W	[M]
R6336	D0GB223JA041	22K 1/16W	[M]
R6341	ERJ3GEYJ103V	10K 1/16W	[M]
R6351	D0GB1R0JA007	1 1/16W	[M]
R6352	D0GB1R0JA007	1 1/16W	[M]
R6353	D0GD3R3JA003	3.3 1/16W	[M]
R6354	D0GD3R3JA003	3.3 1/16W	[M]
R6355	D0GD3R3JA003	3.3 1/16W	[M]
R6356	D0GD3R3JA003	3.3 1/16W	[M]
R6357	ERJ8GEYJ2R7V	2.7 1/8W	[M]
R6358	ERJ8GEYJ2R7V	2.7 1/8W	[M]
R6359	ERJ8GEYJ2R7V	2.7 1/8W	[M]
R6360	ERJ8GEYJ2R7V	2.7 1/8W	[M]
R6362	ERJ14YJ472U	4.7K 1/4W	[M]
R6364	ERJ14YJ472U	4.7K 1/4W	[M]
R6365	D0GB4R7JA007	4.7 1/16W	[M]
R6366	D0GB4R7JA007	4.7 1/16W	[M]
R6367	D0GD3R3JA003	3.3 1/16W	[M]
R6368	D0GB1R0JA007	1 1/16W	[M]
R6371	D0GB224JA007	220K 1/16W	[M]
R6372	D0GB224JA007	220K 1/16W	[M]
R6373	D0GB223JA041	22K 1/16W	[M]
R6374	ERJ3GEYJ103V	10K 1/16W	[M]
R6375	ERJ3GEYJ103V	10K 1/16W	[M]
R6377	ERJ6GEYJ5R6V	5.6 1/10W	[M]
R6379	ERJ6GEYJ5R6V	5.6 1/10W	[M]
R6401	D0GB1R0JA007	1 1/16W	[M]
R6402	D0GB1R0JA007	1 1/16W	[M]
R6403	D0GD3R3JA003	3.3 1/16W	[M]
R6404	D0GD3R3JA003	3.3 1/16W	[M]
R6418	D0GB1R0JA007	1 1/16W	[M]
R6419	ERJ3GEY0R00V	0 1/16W	[M]
R6431	D0GB3R3JA007	3.3 1/16W	[M]
R6432	D0GB3R3JA007	3.3 1/16W	[M]
R6433	D0GB473JA041	47K 1/16W	[M]
R6434	D0GB223JA041	22K 1/16W	[M]
R6435	D0GB473JA041	47K 1/16W	[M]
R6436	D0GB223JA041	22K 1/16W	[M]
R6441	ERJ3GEYJ103V	10K 1/16W	[M]
R6445	ERJ3GEY0R00V	0 1/16W	[M]
R6446	ERJ3GEY0R00V	0 1/16W	[M]
R6447	ERJ3GEY0R00V	0 1/16W	[M]
R6448	ERJ3GEY0R00V	0 1/16W	[M]
R6451	D0GB1R0JA007	1 1/16W	[M]
R6452	D0GB1R0JA007	1 1/16W	[M]
R6453	D0GD3R3JA003	3.3 1/16W	[M]
R6454	D0GD3R3JA003	3.3 1/16W	[M]
R6455	D0GD3R3JA003	3.3 1/16W	[M]
R6456	D0GD3R3JA003	3.3 1/16W	[M]
R6457	ERJ8GEYJ2R7V	2.7 1/8W	[M]
R6458	ERJ8GEYJ2R7V	2.7 1/8W	[M]
R6459	ERJ8GEYJ2R7V	2.7 1/8W	[M]
R6460	ERJ8GEYJ2R7V	2.7 1/8W	[M]
R6462	ERJ14YJ472U	4.7K 1/4W	[M]
R6464	ERJ14YJ472U	4.7K 1/4W	[M]
R6465	D0GB4R7JA007	4.7 1/16W	[M]
R6466	D0GB4R7JA007	4.7 1/16W	[M]
R6467	D0GD3R3JA003	3.3 1/16W	[M]
R6468	D0GB1R0JA007	1 1/16W	[M]
R6471	D0GB224JA007	220K 1/16W	[M]
R6472	D0GB224JA007	220K 1/16W	[M]
R6473	D0GB223JA041	22K 1/16W	[M]
R6474	ERJ3GEYJ103V	10K 1/16W	[M]
R6475	ERJ3GEYJ103V	10K 1/16W	[M]
R6477	ERJ6GEYJ5R6V	5.6 1/10W	[M]
R6479	ERJ6GEYJ5R6V	5.6 1/10W	[M]
R6500	ERJ3GEY0R00V	0 1/16W	[M]
R6603	D0GB101JA007	100 1/16W	[M]

Ref. No.	Part No.	Part Name & Description	Remarks
R6605	D0GB221JA041	220 1/16W	[M]
R6609	ERJ3GEYJ103V	10K 1/16W	[M]
R6611	ERJ3GEYJ103V	10K 1/16W	[M]
R6612	D0GB101JA007	100 1/16W	[M]
R6613	D0GB101JA007	100 1/16W	[M]
R6614	D0GB101JA007	100 1/16W	[M]
R6616	D0GB101JA007	100 1/16W	[M]
R6617	D0GB101JA007	100 1/16W	[M]
R6622	D0GB332JA007	3.3K 1/16W	[M]
R6623	D0GB332JA007	3.3K 1/16W	[M]
R6626	D0GB101JA007	100 1/16W	[M]
R6627	D0GB101JA007	100 1/16W	[M]
R6628	D0GB101JA007	100 1/16W	[M]
R6630	D0GB101JA007	100 1/16W	[M]
R6631	D0GB101JA007	100 1/16W	[M]
R6633	D0GB3R3JA007	3.3 1/16W	[M]
R6641	D0GB101JA007	100 1/16W	[M]
R6642	D0GB101JA007	100 1/16W	[M]
R6643	D0GB101JA007	100 1/16W	[M]
R6644	D0GB101JA007	100 1/16W	[M]
R6645	D0GB101JA007	100 1/16W	[M]
R6646	D0GB101JA007	100 1/16W	[M]
R6647	D0GB101JA007	100 1/16W	[M]
R6648	D0GB101JA007	100 1/16W	[M]
R6649	D0GB101JA007	100 1/16W	[M]
R6650	D0GB101JA007	100 1/16W	[M]
R6651	D0GB101JA007	100 1/16W	[M]
R6652	D0GB101JA007	100 1/16W	[M]
R6653	D0GB101JA007	100 1/16W	[M]
R6654	D0GB101JA007	100 1/16W	[M]
R6655	D0GB101JA007	100 1/16W	[M]
R6657	D0GB220JA007	22 1/16W	[M]
R6659	D0GB220JA007	22 1/16W	[M]
R6661	D0GB101JA007	100 1/16W	[M]
R6662	D0GB101JA007	100 1/16W	[M]
R6663	D0GB101JA007	100 1/16W	[M]
R6664	D0GB101JA007	100 1/16W	[M]
R6665	D0GB101JA007	100 1/16W	[M]
R6666	D0GB101JA007	100 1/16W	[M]
R6667	D0GB101JA007	100 1/16W	[M]
R6668	D0GB101JA007	100 1/16W	[M]
R6669	D0GB101JA007	100 1/16W	[M]
R6670	D0GB101JA007	100 1/16W	[M]
R6671	D0GB101JA007	100 1/16W	[M]
R6672	D0GB101JA007	100 1/16W	[M]
R6673	D0GB101JA007	100 1/16W	[M]
R6674	D0GB101JA007	100 1/16W	[M]
R6675	D0GB101JA007	100 1/16W	[M]
R6679	D0GB1R0JA007	1 1/16W	[M]
R6680	D0GB4R7JA007	4.7 1/16W	[M]
R6681	D0GB101JA007	100 1/16W	[M]
R6682	D0GB101JA007	100 1/16W	[M]
R6683	ERJ3GEYJ103V	10K 1/16W	[M]
R6684	ERJ3GEYJ103V	10K 1/16W	[M]
R6685	D0GB221JA007	220 1/16W	[M]
R6686	D0GB124JA007	120K 1/16W	[M]
R6687	ERJ3GEYJ103V	10K 1/16W	[M]
R6703	D0GB101JA007	100 1/16W	[M]
R6705	D0GB221JA041	220 1/16W	[M]
R6712	D0GB101JA007	100 1/16W	[M]
R6713	D0GB101JA007	100 1/16W	[M]
R6714	D0GB101JA007	100 1/16W	[M]
R6716	D0GB101JA007	100 1/16W	[M]
R6717	D0GB101JA007	100 1/16W	[M]
R6722	ERJ3GEYJ103V	10K 1/16W	[M]
R6726	D0GB101JA007	100 1/16W	[M]
R6727	D0GB101JA007	100 1/16W	[M]
R6728	D0GB101JA007	100 1/16W	[M]
R6730	D0GB101JA007	100 1/16W	[M]
R6731	D0GB101JA007	100 1/16W	[M]
R6733	D0GB3R3JA007	3.3 1/16W	[M]
R6741	D0GB101JA007	100 1/16W	[M]
R6743	D0GB101JA007	100 1/16W	[M]
R6745	D0GB101JA007	100 1/16W	[M]

Ref. No.	Part No.	Part Name & Description	Remarks
R6746	D0GB101JA007	100 1/16W	[M]
R6748	D0GB101JA007	100 1/16W	[M]
R6750	D0GB101JA007	100 1/16W	[M]
R6751	D0GB101JA007	100 1/16W	[M]
R6753	D0GB101JA007	100 1/16W	[M]
R6755	D0GB101JA007	100 1/16W	[M]
R6757	D0GB220JA007	22 1/16W	[M]
R6759	D0GB220JA007	22 1/16W	[M]
R6761	D0GB101JA007	100 1/16W	[M]
R6762	D0GB101JA007	100 1/16W	[M]
R6763	D0GB101JA007	100 1/16W	[M]
R6764	D0GB101JA007	100 1/16W	[M]
R6765	D0GB101JA007	100 1/16W	[M]
R6771	D0GB101JA007	100 1/16W	[M]
R6772	D0GB101JA007	100 1/16W	[M]
R6773	D0GB101JA007	100 1/16W	[M]
R6774	D0GB101JA007	100 1/16W	[M]
R6775	D0GB101JA007	100 1/16W	[M]
R6779	D0GB1R0JA007	1 1/16W	[M]
R6780	D0GB4R7JA007	4.7 1/16W	[M]
R6781	D0GB470JA008	47 1/16W	[M]
R6782	D0GB470JA008	47 1/16W	[M]
R6783	ERJ3GEYJ102V	1K 1/16W	[M]
R6784	ERJ3GEYJ102V	1K 1/16W	[M]
R6792	D0GB470JA008	47 1/16W	[M]
R6793	D0GB470JA008	47 1/16W	[M]
R6794	D0GB221JA007	220 1/16W	[M]
R6795	D0GB470JA008	47 1/16W	[M]
R6796	D0GB470JA008	47 1/16W	[M]
R6797	D0GB470JA008	47 1/16W	[M]
R6798	D0GB470JA008	47 1/16W	[M]
R6802	D0GB101JA007	100 1/16W	[M]
R6803	D0GB101JA007	100 1/16W	[M]
R6804	D0GB101JA007	100 1/16W	[M]
R6805	ERJ3GEYJ102V	1K 1/16W	[M]
R6806	D0GB101JA007	100 1/16W	[M]
R6807	D0GB101JA007	100 1/16W	[M]
R6808	D0GB101JA007	100 1/16W	[M]
R6809	D0GB101JA007	100 1/16W	[M]
R6810	D0GB101JA007	100 1/16W	[M]
R6811	D0GB101JA007	100 1/16W	[M]
R6812	D0GB101JA007	100 1/16W	[M]
R6813	D0GB101JA007	100 1/16W	[M]
R6814	D0GB101JA007	100 1/16W	[M]
R6815	D0GB101JA007	100 1/16W	[M]
R6816	D0GB101JA007	100 1/16W	[M]
R6817	D0GB101JA007	100 1/16W	[M]
R6818	ERJ3GEYJ103V	10K 1/16W	[M]
R6820	D0GB472JA041	4.7K 1/16W	[M]
R6821	D0GB101JA007	100 1/16W	[M]
R6822	ERJ3GEYJ103V	10K 1/16W	[M]
R6823	D0GB331JA007	330 1/16W	[M]
R6824	D0GB473JA041	47K 1/16W	[M]
R6825	D0GB101JA007	100 1/16W	[M]
R6826	D0GB101JA007	100 1/16W	[M]
R6827	D0GB101JA007	100 1/16W	[M]
R6828	D0GB101JA007	100 1/16W	[M]
R6829	D0GB101JA007	100 1/16W	[M]
R6830	D0GB101JA007	100 1/16W	[M]
R6831	D0GB101JA007	100 1/16W	[M]
R6832	D0GB101JA007	100 1/16W	[M]
R6833	D0GB101JA007	100 1/16W	[M]
R6834	D0GB101JA007	100 1/16W	[M]
R6835	D0GB101JA007	100 1/16W	[M]
R6836	D0GB101JA007	100 1/16W	[M]
R6837	D0GB101JA007	100 1/16W	[M]
R6838	D0GB101JA007	100 1/16W	[M]
R6839	D0GB101JA007	100 1/16W	[M]
R6840	D0GB101JA007	100 1/16W	[M]
R6843	D0GB101JA007	100 1/16W	[M]
R6844	D0GB101JA007	100 1/16W	[M]
R6845	D0GB101JA007	100 1/16W	[M]
R6846	D0GB101JA007	100 1/16W	[M]
R6847	D0GB101JA007	100 1/16W	[M]

Ref. No.	Part No.	Part Name & Description	Remarks
R6848	D0GB101JA007	100 1/16W	[M]
R6849	D0GB101JA007	100 1/16W	[M]
R6850	D0GB101JA007	100 1/16W	[M]
R6851	D0GB101JA007	100 1/16W	[M]
R6852	D0GB101JA007	100 1/16W	[M]
R6853	D0GB101JA007	100 1/16W	[M]
R6854	D0GB101JA007	100 1/16W	[M]
R6855	D0GB101JA007	100 1/16W	[M]
R6856	D0GB101JA007	100 1/16W	[M]
R6857	ERJ14YJ472U	4.7K 1/4W	[M]
R6858	ERJ14YJ472U	4.7K 1/4W	[M]
R6859	ERJ3GEYJ681V	680 1/16W	[M]
R6860	D0GB101JA007	100 1/16W	[M]
R6861	D0GB101JA007	100 1/16W	[M]
R6862	D0GB101JA007	100 1/16W	[M]
R6863	D0GB101JA007	100 1/16W	[M]
R6864	D0GB101JA007	100 1/16W	[M]
R6865	ERJ3GEYJ103V	10K 1/16W	[M]
R6866	ERJ3GEYJ103V	10K 1/16W	[M]
R6867	ERJ3GEYJ103V	10K 1/16W	[M]
R6868	ERJ3GEYJ103V	10K 1/16W	[M]
R6869	ERJ3GEYJ103V	10K 1/16W	[M]
R6870	D0GB104JA007	100K 1/16W	[M]
R6871	ERJ3GEYJ121V	120 1/16W	[M]
R6872	D0GB271JA007	270 1/16W	[M]
R6873	D0GB223JA041	22K 1/16W	[M]
R6874	D0GB472JA041	4.7K 1/16W	[M]
R6875	D0GB473JA041	47K 1/16W	[M]
R6881	D0GB222JA041	2.2K 1/16W	[M]
R6882	D0GB334JA041	330K 1/16W	[M]
R6883	D0GB474JA041	470K 1/16W	[M]
R6884	D0GB222JA041	2.2K 1/16W	[M]
R6885	D0GB334JA041	330K 1/16W	[M]
R6886	D0GB474JA041	470K 1/16W	[M]
R6887	ERJ3GEYJ103V	10K 1/16W	[M]
R6888	ERJ3GEYJ103V	10K 1/16W	[M]
R6889	D0GB223JA041	22K 1/16W	[M]
R6890	D0GB473JA041	47K 1/16W	[M]
R6891	ERJ3GEYJ103V	10K 1/16W	[M]
R6895	D0GB101JA007	100 1/16W	[M]
R6896	D0GB104JA007	100K 1/16W	[M]
R6897	D0GB474JA041	470K 1/16W	[M]
R6898	D0GB474JA041	470K 1/16W	[M]
R6899	D0GB104JA007	100K 1/16W	[M]
R6909	ERJ3GEYJ103V	10K 1/16W	[M]
R6912	D0GB473JA041	47K 1/16W	[M]
R6913	D0GB331JA007	330 1/16W	[M]
R6914	ERJ3EKF1801V	18 3W	[M]
R6915	ERJ3EKF3900V	39 3W	[M]
R6916	ERJ3EKF1002V	10 3W	[M]
R6917	ERJ3GEYJ103V	10K 1/16W	[M]
R6918	D0GB470JA008	47 1/16W	[M]
R6919	D0GB470JA008	47 1/16W	[M]
R6920	D0GB470JA008	47 1/16W	[M]
R6921	D0GB470JA008	47 1/16W	[M]
R6922	D0GB470JA008	47 1/16W	[M]
R6923	D0GB470JA008	47 1/16W	[M]
R6924	D0GB470JA008	47 1/16W	[M]
R6926	ERJ3GEYJ102V	1K 1/16W	[M]
R6927	D0GB470JA008	47 1/16W	[M]
R6928	D0GB470JA008	47 1/16W	[M]
R6929	D0GB470JA008	47 1/16W	[M]
R6930	D0GB470JA008	47 1/16W	[M]
R6931	D0GB470JA008	47 1/16W	[M]
R6932	D0GB470JA008	47 1/16W	[M]
R6933	D0GB470JA008	47 1/16W	[M]
R6934	D0GB470JA008	47 1/16W	[M]
R6935	D0GB470JA008	47 1/16W	[M]
R6936	D0GB470JA008	47 1/16W	[M]
R6937	D0GB470JA008	47 1/16W	[M]
R6938	D0GB470JA008	47 1/16W	[M]
R6939	D0GB470JA008	47 1/16W	[M]
R6940	D0GB470JA008	47 1/16W	[M]
R6941	D0GB470JA008	47 1/16W	[M]

Ref. No.	Part No.	Part Name & Description	Remarks
R6944	D0GB470JA008	47 1/16W	[M]
R6945	D0GB470JA008	47 1/16W	[M]
R6946	D0GB470JA008	47 1/16W	[M]
R6947	ERJ3GEYJ103V	10K 1/16W	[M]
R6961	D0GB473JA041	47K 1/16W	[M]
R6962	D0GB152JA007	1.5K 1/16W	[M]
R6963	D0GB1R0JA007	1 1/16W	[M]
R6964	D0GB152JA007	1.5K 1/16W	[M]
R6967	D0GB472JA041	4.7K 1/16W	[M]
R6968	D0GB472JA041	4.7K 1/16W	[M]
R6969	D0GB332JA007	3.3K 1/16W	[M]
R6970	D0GB332JA007	3.3K 1/16W	[M]
R6971	D0GB470JA008	47 1/16W	[M]
R6972	D0GB470JA008	47 1/16W	[M]
R6973	D0GB470JA008	47 1/16W	[M]
R6974	D0GB470JA008	47 1/16W	[M]
R6976	D0GB470JA008	47 1/16W	[M]
R6978	ERJ3EKF2202V	22 3W	[M]
R6979	ERJ3EKF1201V	12 3W	[M]
R6980	ERJ3EKF1002V	10 3W	[M]
R6981	D0GB470JA008	47 1/16W	[M]
R6982	D0GB470JA008	47 1/16W	[M]
R6984	D0GB470JA008	47 1/16W	[M]
R6985	D0GB470JA008	47 1/16W	[M]
R6986	D0GB470JA008	47 1/16W	[M]
R6988	D0GB470JA008	47 1/16W	[M]
R6989	D0GB470JA008	47 1/16W	[M]
R6990	D0GB470JA008	47 1/16W	[M]
R6991	D0GB470JA008	47 1/16W	[M]
R6992	D0GB470JA008	47 1/16W	[M]
R6993	D0GB470JA008	47 1/16W	[M]
R6994	D0GB470JA008	47 1/16W	[M]
R6995	D0GB470JA008	47 1/16W	[M]
R6996	D0GB470JA008	47 1/16W	[M]
R6997	ERJ3GEYOR00V	0 1/16W	[M]
R6998	ERJ3GEYOR00V	0 1/16W	[M]
		CAPACITORS	
C101	F1H1H103A219	0.01 50V	[M]
C102	ECA1CAK470XB	47 16V	[M]
C103	ECA1CAK470XB	47 16V	[M]
C301	F1H1H470A230	47P 50V	[M]
C302	F1H1H470A230	47P 50V	[M]
C303	F1H1H470A230	47P 50V	[M]
C304	ECJ1VF1H223Z	0.022 50V	[M]
C305	ECA1CAK470XB	47 16V	[M]
C306	ECJ1VF1H223Z	0.022 50V	[M]
C307	ECA1CAK470XB	47 16V	[M]
C309	ECA1CAK470XB	47 16V	[M]
C310	ECJ1VF1H223Z	0.022 50V	[M]
C311	ECA1CAK470XB	47 16V	[M]
C312	F1H1H104A783	0.1 50V	[M]
C313	F1H1H470A230	47P 50V	[M]
C314	F1H1H104A783	0.1 50V	[M]
C315	ECA0JAK101XB	100 6.3V	[M]
C316	F1H1H104A783	0.1 50V	[M]
C317	F1H1H470A230	47P 50V	[M]
C318	F1H1H470A230	47P 50V	[M]
C319	F1H1H104A783	0.1 50V	[M]
C320	ECA0JAK101XB	100 6.3V	[M]
C321	F1H1H104A783	0.1 50V	[M]
C323	F1H1H470A230	47P 50V	[M]
C324	F1H1H104A783	0.1 50V	[M]
C325	ECA1CAK470XB	47 16V	[M]
C326	ECA1CAK470XB	47 16V	[M]
C327	ECA1CAK470XB	47 16V	[M]
C328	F1H1H470A230	47P 50V	[M]
C365	F1H1H470A230	47P 50V	[M]
C385	F1K1C1050005	1 16V	[M]
C386	F1K1C1050005	1 16V	[M]
C387	F1K1C1050005	1 16V	[M]
C388	F1K1C1050005	1 16V	[M]
C389	F1K1C1050005	1 16V	[M]

Ref. No.	Part No.	Part Name & Description	Remarks
C390	FLK1C1050005	1 16V	[M]
C391	FLK1C1050005	1 16V	[M]
C392	FLK1C1050005	1 16V	[M]
C393	FLK1C1050005	1 16V	[M]
C394	FL1H104A783	0.1 50V	[M]
C395	FL1H104A783	0.1 50V	[M]
C396	FL1H104A783	0.1 50V	[M]
C397	FL1H104A783	0.1 50V	[M]
C398	ECA0JAK101XB	100 6.3V	[M]
C399	ECA0JAK101XB	100 6.3V	[M]
C401	FL1H101A230	100P 50V	[M]
C402	FL1H101A230	100P 50V	[M]
C403	FL1H101A230	100P 50V	[M]
C404	FL1H101A230	100P 50V	[M]
C405	FL1H101A230	100P 50V	[M]
C406	FL1H101A230	100P 50V	[M]
C407	FL1H331A013	330P 50V	[M]
C408	FL1H331A013	330P 50V	[M]
C409	FL1H101A230	100P 50V	[M]
C410	FL1H101A230	100P 50V	[M]
C411	FL1H331A013	330P 50V	[M]
C412	FL1H331A013	330P 50V	[M]
C417	FL1H101A230	100P 50V	[M]
C418	FL1H101A230	100P 50V	[M]
C419	FL1H101A230	100P 50V	[M]
C420	FL1H101A230	100P 50V	[M]
C421	FL1H101A230	100P 50V	[M]
C422	FL1H101A230	100P 50V	[M]
C423	FL1H101A230	100P 50V	[M]
C424	FL1H101A230	100P 50V	[M]
C425	FL1H101A230	100P 50V	[M]
C426	FL1H101A230	100P 50V	[M]
C427	FL1H101A230	100P 50V	[M]
C428	FL1H101A230	100P 50V	[M]
C429	FL1H101A230	100P 50V	[M]
C430	FL1H101A230	100P 50V	[M]
C431	FL1H101A230	100P 50V	[M]
C432	FL1H101A230	100P 50V	[M]
C433	FL1H101A230	100P 50V	[M]
C434	FL1H101A230	100P 50V	[M]
C435	FL1H101A230	100P 50V	[M]
C436	FL1H101A230	100P 50V	[M]
C437	FL1H101A230	100P 50V	[M]
C438	FL1H101A230	100P 50V	[M]
C439	FL1H101A230	100P 50V	[M]
C440	FL1H101A230	100P 50V	[M]
C441	FL1H101A230	100P 50V	[M]
C442	FL1H101A230	100P 50V	[M]
C443	FL1H101A230	100P 50V	[M]
C444	FL1H101A230	100P 50V	[M]
C445	FL1H331A013	330P 50V	[M]
C450	FL1H104A783	0.1 50V	[M]
C451	FL1H104A783	0.1 50V	[M]
C452	ECA1CAK470XB	47 16V	[M]
C453	ECA1CAK470XB	47 16V	[M]
C454	FL1H101A230	100P 50V	[M]
C455	FL1H101A230	100P 50V	[M]
C456	FL1H101A230	100P 50V	[M]
C464	FL1H103A219	0.01 50V	[M]
C465	ECA0JAK101XB	100 6.3V	[M]
C466	ECA0JAK101XB	100 6.3V	[M]
C467	FL1H103A219	0.01 50V	[M]
C468	ECA0JAK101XB	100 6.3V	[M]
C469	ECA0JAK101XB	100 6.3V	[M]
C470	FL1H103A219	0.01 50V	[M]
C471	FL1H103A219	0.01 50V	[M]
C488	FL1H103A219	0.01 50V	[M]
C489	FL1H104A783	0.1 50V	[M]
C490	FL1H104A783	0.1 50V	[M]
C491	FL1H104A783	0.1 50V	[M]
C492	FL1H104A783	0.1 50V	[M]
C493	FL1H104A783	0.1 50V	[M]
C494	FL1H104A783	0.1 50V	[M]
C495	FL1H104A783	0.1 50V	[M]

Ref. No.	Part No.	Part Name & Description	Remarks
C498	FL1H104A783	0.1 50V	[M]
C499	FL1H104A783	0.1 50V	[M]
C501	FL1H101A230	100P 50V	[M]
C502	FL1H101A230	100P 50V	[M]
C503	ECA1EAK100XB	10 25V	[M]
C504	ECA1EAK100XB	10 25V	[M]
C505	FL1H104A783	0.1 50V	[M]
C506	FL1H104A783	0.1 50V	[M]
C507	ECA1EAK100XB	10 25V	[M]
C508	ECA1EAK100XB	10 25V	[M]
C509	FL1H331A013	330P 50V	[M]
C510	FL1H331A013	330P 50V	[M]
C511	ECJ1VC1H151J	150P 50V	[M]
C512	ECJ1VC1H151J	150P 50V	[M]
C513	ECA1EAK100XB	10 25V	[M]
C514	FL1H104A783	0.1 50V	[M]
C515	FL1H104A783	0.1 50V	[M]
C516	FL1H101A230	100P 50V	[M]
C517	ECA1EAK100XB	10 25V	[M]
C518	ECA1EAK100XB	10 25V	[M]
C519	FL1H104A783	0.1 50V	[M]
C520	FL1H104A783	0.1 50V	[M]
C521	ECA1EAK100XB	10 25V	[M]
C522	ECA1EAK100XB	10 25V	[M]
C523	FL1H331A013	330P 50V	[M]
C524	FL1H331A013	330P 50V	[M]
C525	ECJ1VC1H151J	150P 50V	[M]
C526	ECJ1VC1H151J	150P 50V	[M]
C527	ECA1CAK470XB	47 16V	[M]
C528	ECA1EAK100XB	10 25V	[M]
C529	FL1H104A783	0.1 50V	[M]
C530	FL1H104A783	0.1 50V	[M]
C531	FL1H101A230	100P 50V	[M]
C532	FL1H101A230	100P 50V	[M]
C533	ECA1EAK100XB	10 25V	[M]
C534	ECA1EAK100XB	10 25V	[M]
C535	FL1H104A783	0.1 50V	[M]
C536	FL1H104A783	0.1 50V	[M]
C537	ECA1EAK470XB	47 25V	[M]
C538	ECA1EAK470XB	47 25V	[M]
C541	FL1H101A230	100P 50V	[M]
C542	FL1H101A230	100P 50V	[M]
C543	FL1H470A230	47P 50V	[M]
C544	FL1H470A230	47P 50V	[M]
C545	ECA1EAK100XB	10 25V	[M]
C546	FL1H104A783	0.1 50V	[M]
C547	FL1H104A783	0.1 50V	[M]
C557	ECA1CAK470XB	47 16V	[M]
C558	ECA1CAK470XB	47 16V	[M]
C559	FL1H104A783	0.1 50V	[M]
C560	FL1H101A230	100P 50V	[M]
C701	ECQU2A104MLC	0.1 100V	[M]
C702	ECQU2A104MLC	0.1 100V	[M]
C703	F1BAF2220006	2200P 10V	[M]
C704	F1BAF2220006	2200P 10V	[M]
C705	F1BAF1020020	1000P 10V	[M]
C706	ECQU2A104MLC	0.1 100V	[M]
C707	EETBA2D821ED	820P 400V	[M]
C708	FLJ2E1030004	0.01 250V	[M]
C709	F1D1H471A012	470P 50V	[M]
C710	ECQP6332JUB	CAPACITOR	[M]
C711	ECA1EPX470B	47 25V	[M]
C712	F1D1H221A012	220P 50V	[M]
C713	F1D1H102A012	1000P 50V	[M]
C714	F1BAF2220006	2200P 10V	[M]
C715	FLJ2E1030004	0.01 250V	[M]
C716	FL1H102A219	1000P 50V	[M]
C717	EEUPF1H102ZE	1000P 50V	[M]
C718	EEUPF1H102ZE	1000P 50V	[M]
C719	ECA1HAK010XB	1 50V	[M]
C720	F1D1H102A012	1000P 50V	[M]
C721	FL1H1C104A008	0.1 16V	[M]
C722	ECA1CAK220XB	22 16V	[M]
C723	FL1H102A219	1000P 50V	[M]

Ref. No.	Part No.	Part Name & Description	Remarks
C725	ECA2GHG4R7B	4.7 250V	[M]
C726	F1B2H1820001	1800P 500V	[M]
C727	F1H1H102A219	1000P 50V	[M]
C728	ECJ2FB1H104K	0.1 50V	[M]
C729	ECA1HAK010XB	1 50V	[M]
C730	ECA1AAK221XB	220 10V	[M]
C731	F1J2E1020002	1000P 250V	[M]
C732	ECA1HM471E	470 50V	[M]
C733	F1H1H332A013	3300P 50V	[M]
C734	ECJ1VC1H471J	470P 50V	[M]
C735	F1J2A221A007	220P 100V	[M]
C736	F1H1H102A219	1000P 50V	[M]
C737	ECJ1VC1H471J	470P 50V	[M]
C738	ECJ1VB1H472K	4700P 50V	[M]
C739	F1H1H103A219	0.01 50V	[M]
C740	F1H1H103A219	0.01 50V	[M]
C741	F1H1H102A219	1000P 50V	[M]
C742	F1J2A1020002	1000P 100V	[M]
C743	F1J2A1020002	1000P 100V	[M]
C744	F1J2E1020002	1000P 250V	[M]
C745	F1H1H102A219	1000P 50V	[M]
C746	EEUFCA1A102B	1000P 10V	[M]
C747	EEUFCA1C102SE	1000P 16V	[M]
C748	ECA1CPXS471E	470 16V	[M]
C749	ECA1VAM101XB	100 35V	[M]
C750	ECA1AAK221XB	220 10V	[M]
C751	ECA1EPX101B	100 25V	[M]
C752	ECA1EPX101B	100 25V	[M]
C753	ECA1EPX101B	100 25V	[M]
C754	ECJ1VC1H560J	56P 50V	[M]
C755	F1E1H1030001	0.01 50V	[M]
C756	ECA1HAK010XB	1 50V	[M]
C757	ECA1HAK4R7XB	4.7 50V	[M]
C758	F1H1H103A219	0.01 50V	[M]
C759	ECA1HAK010XB	1 50V	[M]
C761	ECA1HAK100XB	10 50V	[M]
C762	ECA1HAK2R2XB	2.2 50V	[M]
C763	ECA1HAK4R7XB	4.7 50V	[M]
C764	F1H1H103A219	0.01 50V	[M]
C765	F1J2E1030004	0.01 250V	[M]
C879	F1E1H1030001	0.01 50V	[M]
C880	F1E1H1030001	0.01 50V	[M]
C881	F1E1H1030001	0.01 50V	[M]
C882	F1E1H1030001	0.01 50V	[M]
C883	F1E1H1030001	0.01 50V	[M]
C884	F1E1H1030001	0.01 50V	[M]
C885	F1E1H1030001	0.01 50V	[M]
C886	F1E1H1030001	0.01 50V	[M]
C887	F1E1H1030001	0.01 50V	[M]
C888	F1E1H1030001	0.01 50V	[M]
C889	F1E1H1030001	0.01 50V	[M]
C890	F1E1H1030001	0.01 50V	[M]
C891	F1E1H1030001	0.01 50V	[M]
C892	F1E1H1030001	0.01 50V	[M]
C893	F1E1H1030001	0.01 50V	[M]
C894	F1E1H1030001	0.01 50V	[M]
C895	F1E1H1030001	0.01 50V	[M]
C896	F1E1H1030001	0.01 50V	[M]
C899	ECA1CAK470XB	47 16V	[M]
C900	ECA1CAK470XB	47 16V	[M]
C901	F1H1H101A230	100P 50V	[M]
C902	F1H1H101A230	100P 50V	[M]
C903	F1H1H101A230	100P 50V	[M]
C904	F1H1H101A230	100P 50V	[M]
C905	ECA1CAK470XB	47 16V	[M]
C911	F1H1H331A013	330P 50V	[M]
C912	F1H1H331A013	330P 50V	[M]
C913	F1H1H331A013	330P 50V	[M]
C914	F1H1H331A013	330P 50V	[M]
C915	F1H1H331A013	330P 50V	[M]
C916	F1H1H331A013	330P 50V	[M]
C917	F1H1H331A013	330P 50V	[M]
C918	F1H1H331A013	330P 50V	[M]
C919	F1H1H331A013	330P 50V	[M]

Ref. No.	Part No.	Part Name & Description	Remarks
C920	F1H1H331A013	330P 50V	[M]
C921	F1H1H331A013	330P 50V	[M]
C922	ECA1HAK220XB	22 50V	[M]
C923	ECA1HAK220XB	22 50V	[M]
C924	ECA1HAK101B	100 50V	[M]
C925	ECA1HAK100XB	10 50V	[M]
C926	ECA1HAK100XB	10 50V	[M]
C927	ECA0JAM471XB	470 6.3V	[M]
C928	F1H1H104A783	0.1 50V	[M]
C929	ECJ1VC1H680J	68P 50V	[M]
C931	F1H1H104A783	0.1 50V	[M]
C932	ECA1CAK100XB	10 16V	[M]
C933	F1H1H104A783	0.1 50V	[M]
C935	F1H1H102A219	1000P 50V	[M]
C939	ECJ1VB1H102K	1000P 50V	[M]
C985	F1H1H101A230	100P 50V	[M]
C986	F1H1H101A230	100P 50V	[M]
C987	F1H1H101A230	100P 50V	[M]
C989	F1H1H101A230	100P 50V	[M]
C999	F1H1H102A219	1000P 50V	[M]
C1001	F1H0J1050010	1 6.3V	[M]
C1002	F1H0J1050010	1 6.3V	[M]
C1003	F1H1C104A041	0.1 16V	[M]
C1004	ECJ1VC1H120J	12P 50V	[M]
C1005	ECJ1VC1H180J	18P 50V	[M]
C1006	F1H0J1050010	1 6.3V	[M]
C1007	F1H0J1050010	1 6.3V	[M]
C1008	ECJ1VC1H180J	18P 50V	[M]
C1009	ECJ1VC1H120J	12P 50V	[M]
C1010	ECJ1VC1H330J	33P 50V	[M]
C1011	F1H0J1050010	1 6.3V	[M]
C1012	ECJ1VC1H100D	10P 50V	[M]
C1013	F1H0J1050010	1 6.3V	[M]
C1014	EEE0JA470SR	47P 6.3V	[M]
C1015	F1H0J1050010	1 6.3V	[M]
C1016	EEE0JA470SR	47P 6.3V	[M]
C1017	EEE0JA470SR	47P 6.3V	[M]
C1018	F1H0J1050010	1 6.3V	[M]
C1019	F1H0J1050010	1 6.3V	[M]
C1020	F1H0J1050010	1 6.3V	[M]
C1021	F1H0J1050010	1 6.3V	[M]
C1022	F1H0J1050010	1 6.3V	[M]
C1023	F1H0J1050010	1 6.3V	[M]
C1024	F1H0J1050010	1 6.3V	[M]
C1025	EEE0JA470SR	47P 6.3V	[M]
C1026	F1H0J1050010	1 6.3V	[M]
C1027	F1H1H101A230	100P 50V	[M]
C1028	F1H1H101A230	100P 50V	[M]
C1029	F1H1H101A230	100P 50V	[M]
C1030	F1H1H101A230	100P 50V	[M]
C1031	F1H1C104A041	0.1 16V	[M]
C1032	ECJ1VB1A474K	0.47 10V	[M]
C1033	ECJ1VC1H220J	22P 50V	[M]
C1034	ECJ1VC1H220J	22P 50V	[M]
C1035	ECJ1VC1H220J	22P 50V	[M]
C1036	EEEFK1C220R	22P 16V	[M]
C1037	F1H0J1050010	1 6.3V	[M]
C1038	F1H0J1050010	1 6.3V	[M]
C1039	F1H0J1050010	1 6.3V	[M]
C1040	ECJ1VC1H220J	22P 50V	[M]
C1041	F1H0J1050010	1 6.3V	[M]
C1042	F1H0J1050010	1 6.3V	[M]
C1043	F1H0J1050010	1 6.3V	[M]
C1044	F1H0J1050010	1 6.3V	[M]
C1045	F1H0J1050010	1 6.3V	[M]
C1047	F1H0J1050010	1 6.3V	[M]
C1048	F1H1C104A041	0.1 16V	[M]
C1049	F1H0J1050010	1 6.3V	[M]
C1050	F1H0J1050010	1 6.3V	[M]
C1051	ECJ1VC1H100D	10P 50V	[M]
C1052	ECJ1VC1H100D	10P 50V	[M]
C1053	F1H0J1050010	1 6.3V	[M]
C1054	F1H0J1050010	1 6.3V	[M]
C1055	F1H0J1050010	1 6.3V	[M]

Ref. No.	Part No.	Part Name & Description	Remarks
C1056	F1H0J1050010	1 6.3V	[M]
C1057	F1H0J1050010	1 6.3V	[M]
C1058	F1H0J1050010	1 6.3V	[M]
C1059	F1H0J1050010	1 6.3V	[M]
C1060	F1H0J1050010	1 6.3V	[M]
C1061	F1H0J1050010	1 6.3V	[M]
C1062	F1H1H103A219	0.01 50V	[M]
C1063	F1H1H103A219	0.01 50V	[M]
C1064	F1H0J1050010	1 6.3V	[M]
C1065	F1H0J1050010	1 6.3V	[M]
C1066	F1H0J1050010	1 6.3V	[M]
C1067	F1H0J1050010	1 6.3V	[M]
C1068	F1H0J1050010	1 6.3V	[M]
C1069	F1H0J1050010	1 6.3V	[M]
C1070	F1H1H103A219	0.01 50V	[M]
C1071	F1H1H103A219	0.01 50V	[M]
C1072	F1H0J1050010	1 6.3V	[M]
C1073	F1H0J1050010	1 6.3V	[M]
C1074	F1H0J1050010	1 6.3V	[M]
C1075	F1H0J1050010	1 6.3V	[M]
C1076	F1H0J1050010	1 6.3V	[M]
C1077	F1H0J1050010	1 6.3V	[M]
C1078	F1H1H103A219	0.01 50V	[M]
C1079	F1H1H103A219	0.01 50V	[M]
C1080	F1H0J1050010	1 6.3V	[M]
C1081	EEE1CA100SR	10P 16V	[M]
C1082	F1H0J1050010	1 6.3V	[M]
C1084	ECJ1VC1H100D	10P 50V	[M]
C1085	ECJ1VC1H100D	10P 50V	[M]
C1086	ECJ1VC1H100D	10P 50V	[M]
C1087	ECJ1VC1H100D	10P 50V	[M]
C1088	ECJ1VC1H100D	10P 50V	[M]
C1089	ECJ1VC1H100D	10P 50V	[M]
C1090	ECJ1VC1H100D	10P 50V	[M]
C1094	EEEFK1C220R	22P 16V	[M]
C1095	EEEFK1C220R	22P 16V	[M]
C6003	ECJ1VC1H220K	22P 50V	[M]
C6004	ECJ1VC1H220K	22P 50V	[M]
C6017	ECJ1VC1H681J	680P 50V	[M]
C6018	ECJ1VC1H681J	680P 50V	[M]
C6019	ECJ1VB1C105K	1 16V	[M]
C6020	ECJ1VB1C105K	1 16V	[M]
C6023	ECJ1VC1H220K	22P 50V	[M]
C6024	ECJ1VC1H220K	22P 50V	[M]
C6037	ECJ1VC1H681J	680P 50V	[M]
C6038	ECJ1VC1H681J	680P 50V	[M]
C6039	ECJ1VB1C105K	1 16V	[M]
C6040	ECJ1VB1C105K	1 16V	[M]
C6041	EEE1HA2R2SR	2.2P 50V	[M]
C6042	EEE1HA2R2SR	2.2P 50V	[M]
C6043	F1H1C104A041	0.1 16V	[M]
C6044	F1H1C104A041	0.1 16V	[M]
C6045	ECJ2FB1H104K	0.1 50V	[M]
C6046	ECJ2FB1H104K	0.1 50V	[M]
C6047	ECJ2FB1H104K	0.1 50V	[M]
C6048	ECJ2FB1H104K	0.1 50V	[M]
C6051	ECJ1VC1H560J	56P 50V	[M]
C6052	ECJ1VC1H560J	56P 50V	[M]
C6053	ECJ1VC1H560J	56P 50V	[M]
C6054	ECJ1VC1H560J	56P 50V	[M]
C6055	ECJ1VC1H102K	1000P 50V	[M]
C6056	ECJ1VC1H102K	1000P 50V	[M]
C6057	F1H1C104A041	0.1 16V	[M]
C6058	F1H1C104A041	0.1 16V	[M]
C6059	EEE1CA470SP	47P 16V	[M]
C6060	EEE1CA470SP	47P 16V	[M]
C6071	F1H1H103A219	0.01 50V	[M]
C6072	F1H1H103A219	0.01 50V	[M]
C6075	ECJ2FB1H104K	0.1 50V	[M]
C6076	ECJ2FB1H104K	0.1 50V	[M]
C6077	EEE1EA330SP	33P 25V	[M]
C6078	EEE1EA330SP	33P 25V	[M]
C6079	F1H1C104A041	0.1 16V	[M]
C6080	EEE1HA2R2SR	2.2P 50V	[M]

Ref. No.	Part No.	Part Name & Description	Remarks
C6081	ECJ1VC1H220K	22P 50V	[M]
C6082	ECJ1VC1H220K	22P 50V	[M]
C6083	ECJ1VC1H681J	680P 50V	[M]
C6084	ECJ1VC1H681J	680P 50V	[M]
C6085	ECJ1VB1C105K	1 16V	[M]
C6086	ECJ1VB1C105K	1 16V	[M]
C6087	F1H1C104A041	0.1 16V	[M]
C6088	ECJ1VC1H560J	56P 50V	[M]
C6089	ECJ1VC1H560J	56P 50V	[M]
C6090	ECJ1VC1H560J	56P 50V	[M]
C6091	EEE1CA100SR	10P 16V	[M]
C6092	F1H1H392A013	3900P 50V	[M]
C6093	ECJ1VB1H102K	1000P 50V	[M]
C6094	EEE1CA100SR	10P 16V	[M]
C6095	EEE1CA100SR	10P 16V	[M]
C6096	ECJ1VB1H102K	1000P 50V	[M]
C6097	F1H1H103A219	0.01 50V	[M]
C6098	F1H1C104A041	0.1 16V	[M]
C6099	F1H1C104A041	0.1 16V	[M]
C6101	ECQE1474JFW	0.47 100V	[M]
C6102	ECQE1474JFW	0.47 100V	[M]
C6103	EEUPW1H102XE	1000P 50V	[M]
C6104	F1H1H102A219	1000P 50V	[M]
C6105	ECJ1VB1H223K	0.022 50V	[M]
C6106	ECJ1VB1H223K	0.022 50V	[M]
C6107	ECJ2FB2D103K	0.01 250V	[M]
C6108	ECJ2FB1H104K	0.1 50V	[M]
C6109	ECJ2FB2D103K	0.01 250V	[M]
C6110	ECJ2FB1H104K	0.1 50V	[M]
C6111	EEE1CA100SR	10P 16V	[M]
C6112	F1H1C104A041	0.1 16V	[M]
C6115	ECJ1VC1H681J	680P 50V	[M]
C6116	ECJ1VC1H681J	680P 50V	[M]
C6117	ECJ2VB2A103K	0.01 100V	[M]
C6118	ECJ1VB1C105K	1 16V	[M]
C6119	EEEFK1C220R	22P 16V	[M]
C6120	EEEFK1H100P	10P 16V	[M]
C6121	EEE1CA100SR	10P 16V	[M]
C6122	F1H1H102A219	1000P 50V	[M]
C6123	ECJ1VC1H330J	33P 50V	[M]
C6127	ECJ1VB2D331K	330 250V	[M]
C6129	ECJ1VB2D331K	330 250V	[M]
C6131	F1H1H102A219	1000P 50V	[M]
C6132	F1H1H102A219	1000P 50V	[M]
C6133	F1H1C104A041	0.1 16V	[M]
C6135	F1H1C104A041	0.1 16V	[M]
C6141	F1H1C104A041	0.1 16V	[M]
C6142	F1H1C104A041	0.1 16V	[M]
C6151	ECQE1474JFW	0.47 100V	[M]
C6152	ECQE1474JFW	0.47 100V	[M]
C6153	EEUPW1H102XE	1000P 50V	[M]
C6154	F1H1H102A219	1000P 50V	[M]
C6155	ECJ1VB1H223K	0.022 50V	[M]
C6156	ECJ1VB1H223K	0.022 50V	[M]
C6157	ECJ2FB2D103K	0.01 250V	[M]
C6158	ECJ2FB1H104K	0.1 50V	[M]
C6159	ECJ2FB2D103K	0.01 250V	[M]
C6160	ECJ2FB1H104K	0.1 50V	[M]
C6165	ECJ1VC1H681J	680P 50V	[M]
C6166	ECJ1VC1H681J	680P 50V	[M]
C6167	ECJ2VB2A103K	0.01 100V	[M]
C6168	ECJ1VB1C105K	1 16V	[M]
C6169	EEEFK1C220R	22P 16V	[M]
C6170	EEEFK1H100P	10P 16V	[M]
C6171	EEE1CA100SR	10P 16V	[M]
C6172	F1H1H102A219	1000P 50V	[M]
C6173	ECJ1VC1H330J	33P 50V	[M]
C6177	ECJ1VB2D331K	330 250V	[M]
C6179	ECJ1VB2D331K	330 250V	[M]
C6181	F1H1H102A219	1000P 50V	[M]
C6182	F1H1H102A219	1000P 50V	[M]
C6201	ECQE1474JFW	0.47 100V	[M]
C6202	ECQE1474JFW	0.47 100V	[M]
C6203	EEUPW1H102XE	1000P 50V	[M]

Ref. No.	Part No.	Part Name & Description	Remarks
C6204	F1H1H102A219	1000P 50V	[M]
C6205	ECJ1VB1H223K	0.022 50V	[M]
C6206	ECJ1VB1H223K	0.022 50V	[M]
C6207	ECJ2FB2D103K	0.01 250V	[M]
C6208	ECJ2FB1H104K	0.1 50V	[M]
C6209	ECJ2FB2D103K	0.01 250V	[M]
C6210	ECJ2FB1H104K	0.1 50V	[M]
C6211	EEE1CA100SR	10P 16V	[M]
C6212	F1H1C104A041	0.1 16V	[M]
C6215	ECJ1VC1H681J	680P 50V	[M]
C6216	ECJ1VC1H681J	680P 50V	[M]
C6217	ECJ2VB2A103K	0.01 100V	[M]
C6218	ECJ1VB1C105K	1 16V	[M]
C6219	EEEFK1C220R	22P 16V	[M]
C6221	EEE1CA100SR	10P 16V	[M]
C6222	F1H1H102A219	1000P 50V	[M]
C6223	ECJ1VC1H330J	33P 50V	[M]
C6227	ECJ1VB2D331K	330 250V	[M]
C6229	ECJ1VB2D331K	330 250V	[M]
C6231	F1H1H102A219	1000P 50V	[M]
C6232	F1H1H102A219	1000P 50V	[M]
C6233	F1H1C104A041	0.1 16V	[M]
C6235	F1H1C104A041	0.1 16V	[M]
C6241	F1H1C104A041	0.1 16V	[M]
C6242	F1H1C104A041	0.1 16V	[M]
C6251	ECQE1474JFW	0.47 100V	[M]
C6252	ECQE1474JFW	0.47 100V	[M]
C6253	EEUPW1H102XE	1000P 50V	[M]
C6254	F1H1H102A219	1000P 50V	[M]
C6255	ECJ1VB1H223K	0.022 50V	[M]
C6256	ECJ1VB1H223K	0.022 50V	[M]
C6257	ECJ2FB2D103K	0.01 250V	[M]
C6258	ECJ2FB1H104K	0.1 50V	[M]
C6259	ECJ2FB2D103K	0.01 250V	[M]
C6260	ECJ2FB1H104K	0.1 50V	[M]
C6265	ECJ1VC1H681J	680P 50V	[M]
C6266	ECJ1VC1H681J	680P 50V	[M]
C6267	ECJ2VB2A103K	0.01 100V	[M]
C6268	ECJ1VB1C105K	1 16V	[M]
C6269	EEEFK1C220R	22P 16V	[M]
C6271	EEE1CA100SR	10P 16V	[M]
C6272	F1H1H102A219	1000P 50V	[M]
C6273	ECJ1VC1H330J	33P 50V	[M]
C6277	ECJ1VB2D331K	330 250V	[M]
C6279	ECJ1VB2D331K	330 250V	[M]
C6281	F1H1H102A219	1000P 50V	[M]
C6282	F1H1H102A219	1000P 50V	[M]
C6301	ECQE1474JFW	0.47 100V	[M]
C6302	ECQE1474JFW	0.47 100V	[M]
C6303	EEUPW1H102XE	1000P 50V	[M]
C6304	F1H1H102A219	1000P 50V	[M]
C6305	ECJ1VB1H223K	0.022 50V	[M]
C6306	ECJ1VB1H223K	0.022 50V	[M]
C6307	ECJ2FB2D103K	0.01 250V	[M]
C6308	ECJ2FB1H104K	0.1 50V	[M]
C6309	ECJ2FB2D103K	0.01 250V	[M]
C6310	ECJ2FB1H104K	0.1 50V	[M]
C6311	EEE1CA100SR	10P 16V	[M]
C6312	F1H1C104A041	0.1 16V	[M]
C6315	ECJ1VC1H681J	680P 50V	[M]
C6316	ECJ1VC1H681J	680P 50V	[M]
C6317	ECJ2VB2A103K	0.01 100V	[M]
C6318	ECJ1VB1C105K	1 16V	[M]
C6319	EEEFK1C220R	22P 16V	[M]
C6321	EEE1CA100SR	10P 16V	[M]
C6322	F1H1H102A219	1000P 50V	[M]
C6323	ECJ1VC1H330J	33P 50V	[M]
C6327	ECJ1VB2D331K	330 250V	[M]
C6329	ECJ1VB2D331K	330 250V	[M]
C6331	F1H1H102A219	1000P 50V	[M]
C6332	F1H1H102A219	1000P 50V	[M]
C6333	F1H1C104A041	0.1 16V	[M]
C6335	F1H1C104A041	0.1 16V	[M]
C6341	F1H1C104A041	0.1 16V	[M]

Ref. No.	Part No.	Part Name & Description	Remarks
C6342	F1H1C104A041	0.1 16V	[M]
C6351	ECQE1474JFW	0.47 100V	[M]
C6352	ECQE1474JFW	0.47 100V	[M]
C6353	EEUPW1H102XE	1000P 50V	[M]
C6354	F1H1H102A219	1000P 50V	[M]
C6355	ECJ1VB1H223K	0.022 50V	[M]
C6356	ECJ1VB1H223K	0.022 50V	[M]
C6357	ECJ2FB2D103K	0.01 250V	[M]
C6358	ECJ2FB1H104K	0.1 50V	[M]
C6359	ECJ2FB2D103K	0.01 250V	[M]
C6360	ECJ2FB1H104K	0.1 50V	[M]
C6365	ECJ1VC1H681J	680P 50V	[M]
C6366	ECJ1VC1H681J	680P 50V	[M]
C6367	ECJ2VB2A103K	0.01 100V	[M]
C6368	ECJ1VB1C105K	1 16V	[M]
C6369	EEEFK1C220R	22P 16V	[M]
C6371	EEE1CA100SR	10P 16V	[M]
C6372	F1H1H102A219	1000P 50V	[M]
C6373	ECJ1VC1H330J	33P 50V	[M]
C6377	ECJ1VB2D331K	330 250V	[M]
C6379	ECJ1VB2D331K	330 250V	[M]
C6381	F1H1H102A219	1000P 50V	[M]
C6382	F1H1H102A219	1000P 50V	[M]
C6405	ECJ1VB1H223K	0.022 50V	[M]
C6406	ECJ1VB1H223K	0.022 50V	[M]
C6411	EEE1CA100SR	10P 16V	[M]
C6412	F1H1C104A041	0.1 16V	[M]
C6418	ECJ1VB1C105K	1 16V	[M]
C6433	F1H1C104A041	0.1 16V	[M]
C6435	F1H1C104A041	0.1 16V	[M]
C6441	F1H1C104A041	0.1 16V	[M]
C6442	F1H1C104A041	0.1 16V	[M]
C6451	ECQE1474JFW	0.47 100V	[M]
C6452	ECQE1474JFW	0.47 100V	[M]
C6453	EEUPW1H102XE	1000P 50V	[M]
C6454	F1H1H102A219	1000P 50V	[M]
C6455	ECJ1VB1H223K	0.022 50V	[M]
C6456	ECJ1VB1H223K	0.022 50V	[M]
C6457	ECJ2FB2D103K	0.01 250V	[M]
C6458	ECJ2FB1H104K	0.1 50V	[M]
C6459	ECJ2FB2D103K	0.01 250V	[M]
C6460	ECJ2FB1H104K	0.1 50V	[M]
C6465	ECJ1VC1H681J	680P 50V	[M]
C6466	ECJ1VC1H681J	680P 50V	[M]
C6467	ECJ2VB2A103K	0.01 100V	[M]
C6468	ECJ1VB1C105K	1 16V	[M]
C6471	EEE1CA100SR	10P 16V	[M]
C6472	F1H1H102A219	1000P 50V	[M]
C6473	ECJ1VC1H330J	33P 50V	[M]
C6477	ECJ1VB2D331K	330 250V	[M]
C6479	ECJ1VB2D331K	330 250V	[M]
C6481	F1H1H102A219	1000P 50V	[M]
C6482	F1H1H102A219	1000P 50V	[M]
C6605	ECJ1VB1H472K	4700P 50V	[M]
C6606	ECJ1VB1C473K	0.047 16V	[M]
C6609	F1H1C104A041	0.1 16V	[M]
C6612	F1H1H102A219	1000P 50V	[M]
C6614	F1H1H102A219	1000P 50V	[M]
C6632	F1H1C104A041	0.1 16V	[M]
C6633	EEE1CA100SR	10P 16V	[M]
C6634	F1H1C104A041	0.1 16V	[M]
C6635	F1H1C104A041	0.1 16V	[M]
C6636	EEE1CA100SR	10P 16V	[M]
C6657	ECJ1VB1C105K	1 16V	[M]
C6659	ECJ1VB1C105K	1 16V	[M]
C6660	F1H1C104A041	0.1 16V	[M]
C6664	F1H1C104A041	0.1 16V	[M]
C6671	ECJ1VB1C105K	1 16V	[M]
C6673	F1H1C104A041	0.1 16V	[M]
C6674	F1H1C104A041	0.1 16V	[M]
C6679	EEE1CA100SR	10P 16V	[M]
C6680	F1H1C104A041	0.1 16V	[M]
C6681	F1H1H102A219	1000P 50V	[M]
C6682	F1H1H102A219	1000P 50V	[M]

Ref. No.	Part No.	Part Name & Description	Remarks
C6686	EEE1HA2R2SR	2.2P 50V	[M]
C6705	ECJ1VB1H472K	4700P 50V	[M]
C6706	ECJ1VB1C473K	0.047 16V	[M]
C6709	F1H1C104A041	0.1 16V	[M]
C6720	F1H1C104A041	0.1 16V	[M]
C6722	F1H1C104A041	0.1 16V	[M]
C6732	F1H1C104A041	0.1 16V	[M]
C6733	EEE1CA100SR	10P 16V	[M]
C6734	F1H1C104A041	0.1 16V	[M]
C6735	F1H1C104A041	0.1 16V	[M]
C6736	EEE1CA100SR	10P 16V	[M]
C6757	ECJ1VB1C105K	1 16V	[M]
C6759	ECJ1VB1C105K	1 16V	[M]
C6760	F1H1C104A041	0.1 16V	[M]
C6779	EEE1CA100SR	10P 16V	[M]
C6780	F1H1C104A041	0.1 16V	[M]
C6805	ECJ1VB1C105K	1 16V	[M]
C6811	F1H1C104A041	0.1 16V	[M]
C6818	F1H1C104A041	0.1 16V	[M]
C6820	ECJ1VB1C105K	1 16V	[M]
C6844	F1H1H102A219	1000P 50V	[M]
C6855	F1H1H103A219	0.01 50V	[M]
C6856	EEE1AA220WR	22P 10V	[M]
C6857	EEE0JA101SP	100P 6.3V	[M]
C6858	F1H1C104A041	0.1 16V	[M]
C6859	EEE0JA102UP	1000P 6.3V	[M]
C6860	EEE0JA102UP	1000P 6.3V	[M]
C6861	F1H1H102A219	1000P 50V	[M]
C6863	ECJ1VC1H561K	560P 50V	[M]
C6864	ECJ1VC1H561K	560P 50V	[M]
C6870	F1H1H103A219	0.01 50V	[M]
C6871	ECJ1VB1C105K	1 16V	[M]
C6872	F1H1H103A219	0.01 50V	[M]
C6881	F1H1H103A219	0.01 50V	[M]
C6884	F1H1H103A219	0.01 50V	[M]
C6890	F1H1H102A219	1000P 50V	[M]
C6891	F1H1C104A041	0.1 16V	[M]
C6892	EEE1CA221XP	220P 16V	[M]
C6893	F1H1C104A041	0.1 16V	[M]
C6899	ECJ1VB1C105K	1 16V	[M]
C6901	EEE1AA330SR	33P 10V	[M]
C6902	EEE0JA101SP	100P 6.3V	[M]
C6909	F1H1C104A041	0.1 16V	[M]
C6910	F1H1C104A041	0.1 16V	[M]
C6912	F1H1H103A219	0.01 50V	[M]
C6914	EEE0JA101SP	100P 6.3V	[M]
C6916	ECJ1VB1C105K	1 16V	[M]
C6922	F1H1H103A219	0.01 50V	[M]
C6923	F1H1H103A219	0.01 50V	[M]
C6926	ECJ1VB1C105K	1 16V	[M]
C6956	F1H1C104A041	0.1 16V	[M]
C6962	ECJ1VB1C105K	1 16V	[M]
C6971	ECJ1VC1H220K	22P 50V	[M]
C6972	ECJ1VC1H220K	22P 50V	[M]
C6973	ECJ1VC1H220K	22P 50V	[M]
C6974	ECJ1VC1H220K	22P 50V	[M]
C6976	ECJ1VC1H220K	22P 50V	[M]
C6977	ECJ1VC1H220K	22P 50V	[M]
C6978	EEE1AA330SR	33P 10V	[M]
C6979	EEE0JA101SP	100P 6.3V	[M]
C6981	ECJ1VC1H220K	22P 50V	[M]
C6982	ECJ1VC1H220K	22P 50V	[M]
C6984	ECJ1VC1H220K	22P 50V	[M]
C6985	ECJ1VC1H220K	22P 50V	[M]
C6986	ECJ1VC1H220K	22P 50V	[M]
C6988	ECJ1VC1H220K	22P 50V	[M]
C6989	ECJ1VC1H220K	22P 50V	[M]
C6990	ECJ1VC1H220K	22P 50V	[M]
C6991	ECJ1VC1H220K	22P 50V	[M]
C6992	ECJ1VC1H220K	22P 50V	[M]
C6993	ECJ1VC1H220K	22P 50V	[M]
C6994	ECJ1VC1H220K	22P 50V	[M]
C6995	ECJ1VC1H220K	22P 50V	[M]
C6996	ECJ1VC1H220K	22P 50V	[M]

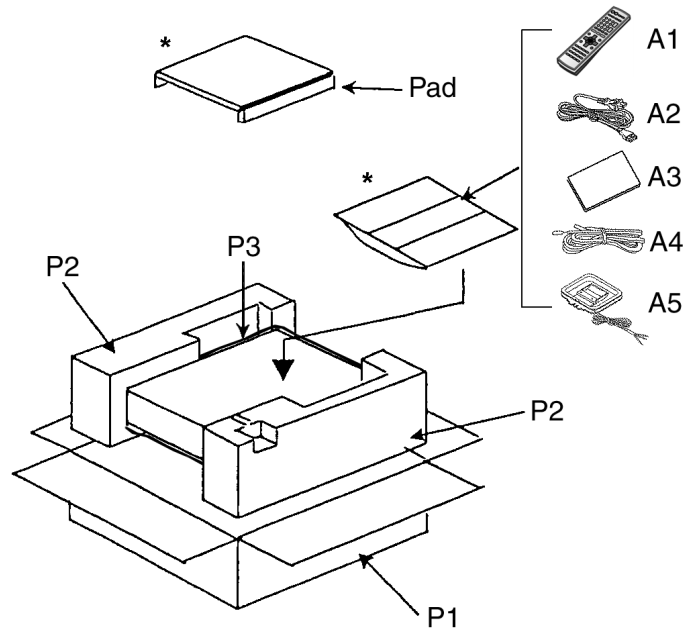
Ref. No.	Part No.	Part Name & Description	Remarks
C6998	EEE1AA220WR	22P 10V	[M]
C6999	ECJ1VB1C105K	10 16V	[M]

17.3. Packing Materials & Accessories Parts List

Ref. No.	Part No.	Part Name & Description	Remarks
		PACKING MATERIALS	
P1	RPG7492	PACKING CASE	[M] PS
P1	RPG7493	PACKING CASE	[M] PK
P1	RPG7494	PACKING CASE	[M] PCS
P2	RPN1787	POLYFOAM	[M]
P3	VPF1122	MIRAMAT	[M]
		ACCESSORIES	

Ref. No.	Part No.	Part Name & Description	Remarks
A1	EUR7722KM0	REMOTE CONTROL	[M]
A1-1	UR76EC3103A	R/C BATTERY COVER	[M]
A2	K2CB2CB00018	AC CORD	[M] △
A3	RQT7994-P	O/I BOOK (En)	[M]
A3	RQT7995-C	O/I BOOK (Cf)	[M] PCS
A3	RQT7999-P	O/I BOOK FOR R/C (En)	[M]
A3	RQT8000-C	O/I BOOK FOR R/C (Cf)	[M] PCS
A4	RSA0006-L	FM ANTENNA WIRE	[M]
A5	RSA0037	AM LOOP ANTENNA	[M]

17.4. Packaging



* Not Supplied