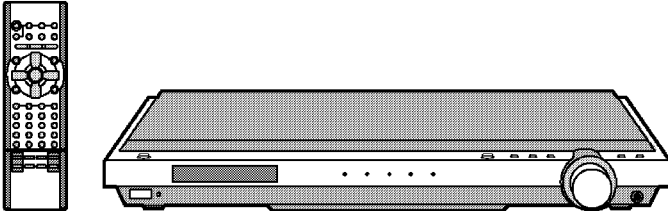


Service Manual

AV Control Receiver



SA-XR10E
SA-XR10EB
SA-XR10EG
SA-XR10GCS
SA-XR10GD
SA-XR10GN

Colour

(S).....Silver Type

Specification

IAMPLIFIER SECTION

Power output [at 240V for (EG, GN) area]

DIN 1kHz (T.H.D. 1%)	2×100W (6Ω)
20Hz-20kHz continuous power output both channels driven	2×80W(6Ω)

Total harmonic distortion

rated power at 20Hz-20kHz	0.09% (6Ω)
half power at 1kHz	0.05% (6Ω)

Power output at 1kHz each channel driven

DIN 1kHz (T.H.D. 1%)	
Front	2×100W (6Ω)
Center	100W (6Ω)
Surround	2×100W (6Ω)

Load impedance

Front	6-16Ω
Center	6-16Ω
Surround	6-16Ω

Frequency response

DVD, VCR, TV, AUX	10Hz-44kHz, ±3dB
-------------------	------------------

Input sensitivity and impedance

DVD, VCR, TV, AUX	200mV/22kΩ
-------------------	------------

S/N at rated power (6Ω)

DVD, TV (DIGITAL INPUT)	80dB (IHF, A: 98dB)
-------------------------	---------------------

Output voltage

VCR OUT, LINE OUT	200mV
-------------------	-------

Tone controls

BASS 50Hz, +10 to -10dB

TREBLE 20kHz, +10 to -10dB

Channel balance (250Hz-6.3kHz) ±1dB

Channel separation 55dB

Subwoofer frequency response (-6dB) 7-200Hz

Digital input

Optical 2

Coaxial 1

IFM TUNER SECTION

Frequency range 87.50-108.00MHz

Sensitivity

S/N 30dB 1.5μV/75Ω

S/N 26dB 1.3μV/75Ω

S/N 20dB 1.2μV/75Ω

IHF usable sensitivity (IHF'58) 1.5μV/75Ω

IHF 46dB stereo quieting sensitivity 22μV/75Ω

Total harmonic distortion

MONO 0.2%

STEREO 0.3%

S/N

MONO 60dB

STEREO 58dB

Frequency response

20Hz-15kHz +1dB, -2dB

Panasonic

© 2002 Matsushita Electric Industrial Co., Ltd.
 All rights reserved. Unauthorized copying and
 distribution is a violation of law.

Alternate channel selectivity		IF rejection (at 999kHz)	50dB
±400kHz	65dB		
Capture ratio	1.5dB	IVIDEO SECTION	
Image rejection at 98MHz	40dB	Output voltage at 1V input (unbalanced)	1±0.1Vp-p
IF rejection at 98MHz	70dB	Maximum input voltage	1.5Vp-p
Spurious response rejection at 98MHz	70dB	Input/output impedance	75Ω (unbalanced)
AM suppression	50dB		
Stereo separation		IGENERAL	
1kHz	40dB	Power supply	
Carrir leak		For (E, EG) areas	AC230V, 50Hz
19kHz	-30dB	For (EB, GN) areas	AC230-240V, 50Hz
38kHz	-50dB	For (GD) area	AC220V, 60Hz
Channel balance (250Hz-6.3kHz)	±1.5dB	For (GCS) area	AC220-240V, 50/60Hz
Limiting point	1.2μV	Power consumption	115W
Bandwidth		Dimensions (W×H×D)	430×52×334mm
IF amplifier	180kHz	Mass	3.5kg
FM demodulator	1000kHz		
Antenna terminal	75Ω (unbalanced)	Power consumption in standby mode:	0.5W
IAM TUNER SECTION		Notes:	
Frequency range		1. Specifications are subject to change without notice.	
	522-1611kHz (9kHz steps)	Mass and dimensions are approximate.	
	530-1620kHz (10kHz steps)	2. Total harmonic distortion is measured by the digital spectrum analyzer.	
Sensitivity	20μV, 330μV/m		
Selectivity (at 999kHz)	55dB		

WARNING

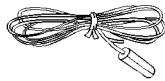
This service information is designed for experienced repair technicians only and is not designed for use by the general public. It does not contain warnings or cautions to advise non-technical individuals of potential dangers in attempting to service a product. Products powered by electricity should be serviced or repaired only by experienced professional technicians. Any attempt to service or repair the product or products dealt with in this service information by anyone else could result in serious injury or death.

CONTENTS

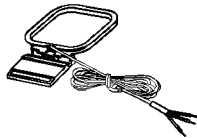
	Page		Page
1 Accessories	3	9 Schematic Diagram	13
2 Before Repair and Adjustment	3	10 Printed Circuit Board Diagram	27
3 About the Protection Circuitry	3	11 Block Diagram	31
4 Caution for AC Main Lead	4	12 Wiring Connection Diagram	37
5 Operating Instructions	5	13 Terminal Function of ICs	39
6 Operation Checks and Component Replacement Procedures	7	14 Replacement Parts List	40
7 Self-Diagnosis Function	10	15 Cabinet Parts Location	49
8 Schematic Diagram Notes	11	16 Packaging	51

1 Accessories

- FM indoor antenna.....1pc.
(RSA0007)



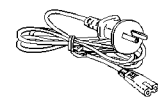
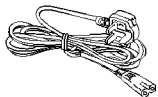
- AM loop antenna set.....1pc.
(RSA0033-C)



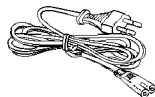
- Remote control transmitter.....1pc.
(N2QAJB000045)



- AC power supply cord.....1pc.
For (EB) area: (RJA0053-3X)



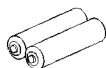
- For (GN) area: (RJA0035-2X)
- For (E,EG,GCS) areas:
(RJA0019-2X)
- For (GD) area:
(RJA0078-1X)



- Antenna plug adaptor.....1pc.
For (EB) area only
(SJP9009)



- Remote control batteries.....2pcs.
Note: These are available
on sales root.



- Cleaning cloth...1pc.
(RFE0088-1)



2 Before Repair and Adjustment

1. Turn off the power supply. Using a 10Ω , 10W resistor, connect both ends of power supply capacitors (C608,625,707,714) in order to discharge the voltage.
2. Before turning the power supply on, after completion of repair, slowly apply the primary voltage by using a power supply voltage controller to make sure that the consumed current at 50/60 Hz in NO SIGNAL mode should be shown below with respect to supply voltage 230 V/240 V.

Areas	(E,EG)		(EB,GN,GCS)		(GD)	
Power supply voltage	AC 230V		AC 240V		AC 220V	
Consumed current	50 Hz	150-250 mA	50 Hz	150-250 mA	60 Hz	150-250 mA

3 About the Protection Circuitry


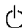
The protection circuitry may have operated if either of the following conditions is noticed:

*No sound is heard when the power is supplied.


*Sound stops during a performance.

The functions of this circuitry is to prevent circuitry damage, for example, the positive and negative speaker connection wires are "shorted", or if speaker systems with an impedande less than the indicated rated impedance of this unit are used.

If this occurs, follow the procedure outlined below:

1. Press the STANDBY  /ON button, switch to STANDBY mode.
2. Determine the cause of the problem and correct it.
3. Press the STANDBY  /ON button once again, supply the power.

Note:

When the protection circuitry functions, the unit will not operate unless the STANDBY  /ON button is first switched STANDBY and then ON again.

4 Caution for AC Main Lead (For United Kingdom)



("EB" area code model only)

For your safety, please read the following text carefully.

This appliance is supplied with a moulded three pin mains plug for your safety and convenience.

A 5-ampere fuse is fitted in this plug.

Should the fuse need to be replaced please ensure that the replacement fuse has a rating of 5-ampere and that it is approved by ASTA or BSI to BS1362.

Check for the ASTA mark  or the BSI mark  on the body of the fuse.

If the plug contains a removable fuse cover you must ensure that it is refitted when the fuse is replaced.

If you lose the fuse cover the plug must not be used until a replacement cover is obtained.

A replacement fuse cover can be purchased from your local dealer.

CAUTION!

IF THE FITTED MOULDED PLUG IS UNSUITABLE FOR THE SOCKET OUTLET IN YOUR HOME THEN THE FUSE SHOULD BE REMOVED AND THE PLUG CUT OFF AND DISPOSED OF SAFELY.

THERE IS A DANGER OF SEVERE ELECTRICAL SHOCK IF THE CUT OFF PLUG IS INSERTED INTO ANY 13-AMPERE SOCKET.

If a new plug is to be fitted please observe the wiring code as shown below.

If in any doubt please consult a qualified electrician.

IMPORTANT

The wires in this mains lead are coloured in accordance with the following code:

Blue: Neutral, Brown: Live.

As these colours may not correspond with the coloured markings identifying the terminals in your plug, proceed as follows:

The wire which is coloured Blue must be connected to the terminal which is marked with the letter N or coloured Black or Blue.

The wire which is coloured Brown must be connected to the terminal which is marked with the letter L or coloured Brown or Red.

WARNING: DO NOT CONNECT EITHER WIRE TO THE EARTH TERMINAL WHICH IS MARKED WITH THE LETTER E, BY THE EARTH SYMBOL \perp OR COLOURED GREEN OR GREEN/YELLOW.

THIS PLUG IS NOT WATERPROOF - KEEP DRY.

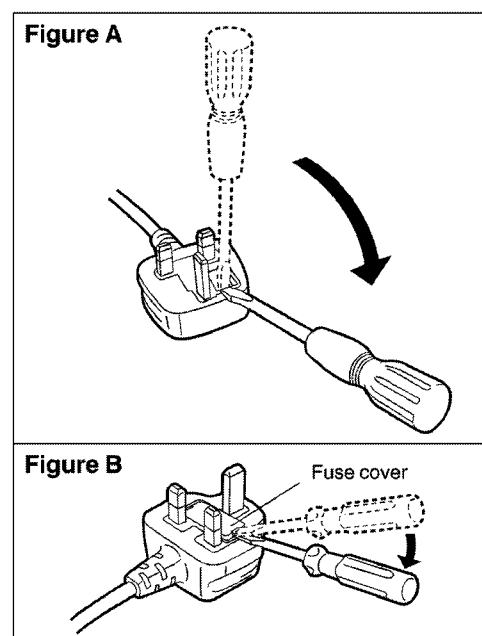
Before use

Remove the connector cover.

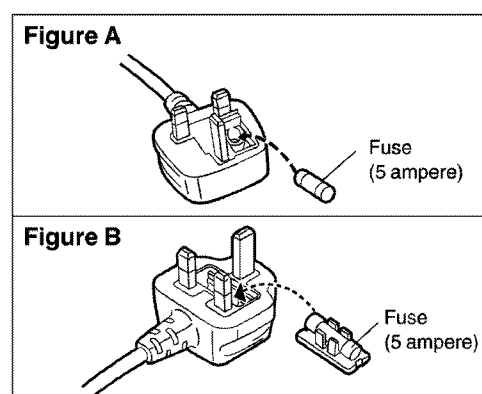
How to replace the fuse

The location of the fuse differ according to the type of AC mains plug (figures A and B). Confirm the AC mains plug fitted and follow the instructions below. Illustrations may differ from actual AC mains plug.

1. Open the fuse cover with a screwdriver.

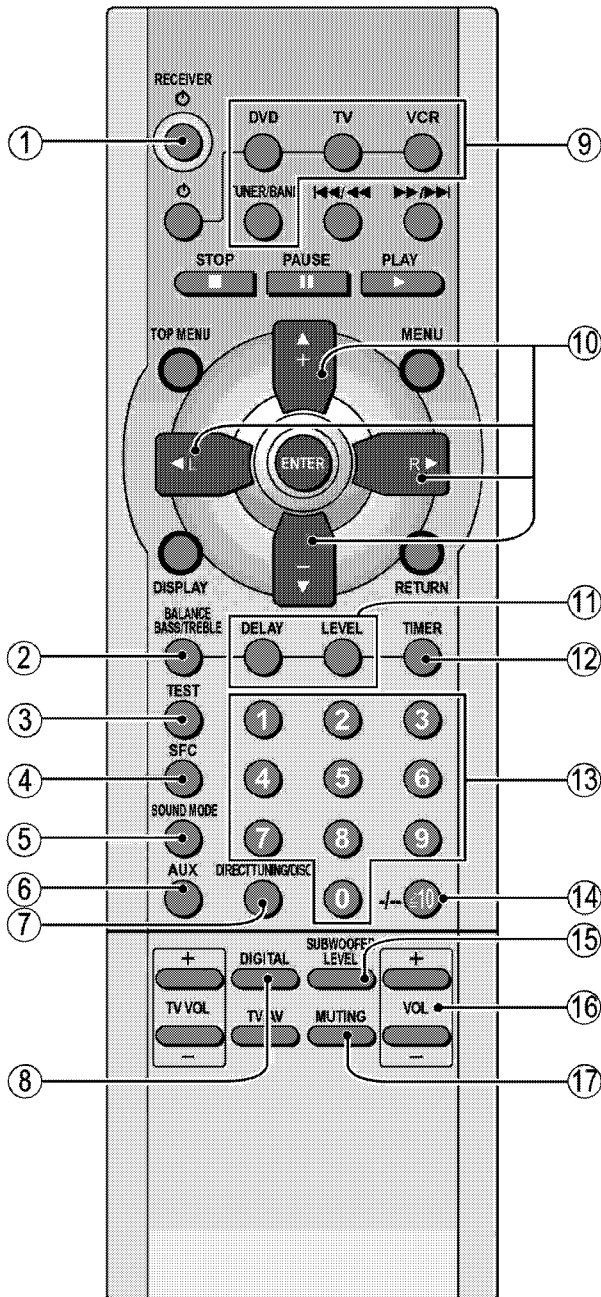


2. Replace the fuse and close or attach the fuse cover.



5 Operating Instructions

Operating the receiver

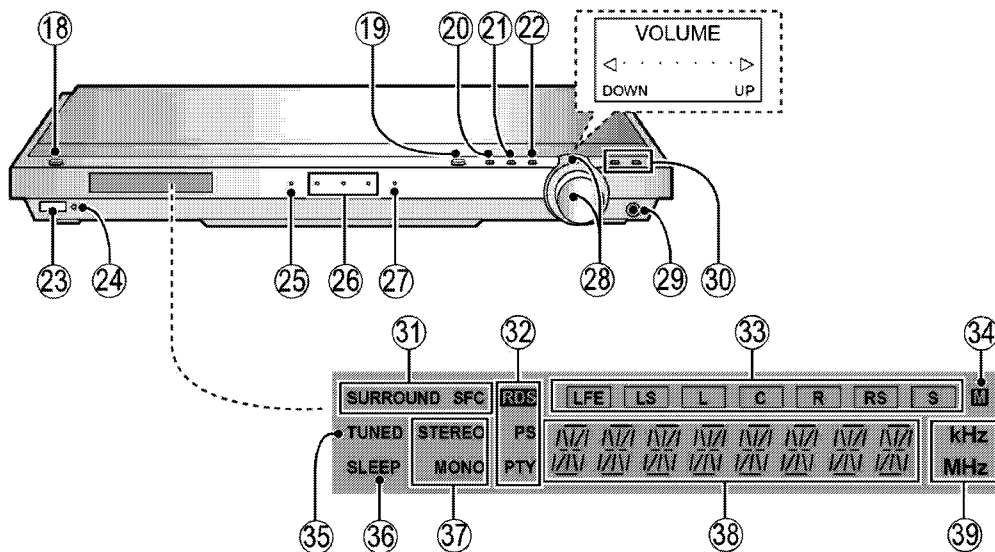


Remote control

- ① **[RECEIVER ϕ]:**
Standby/on button
- ② **[BALANCE, BASS/TREBLE]:**
To select balance, bass, and treble to allow adjustment
 - BALANCE: adjust with [\leftarrow L, R \rightarrow]
 - BASS and TREBLE: adjust with [\blacktriangle +, \blacktriangledown -]
- ③ **[TEST]:**
To start the speaker signal
- ④ **[SFC]:**
To select SFC modes
- ⑤ **[SOUND MODE]:**
To select the sound modes
- ⑥ **[AUX]:**
To select auxiliary (AUX) input
- ⑦ **[DIRECT TUNING/DISC]:**
To enable selection of radio stations by frequency
- ⑧ **[DIGITAL]:**
To switch between analogue and digital TV/DVD input
- ⑨ **[DVD, TV, VCR, TUNER/BAND]:**
Input and remote control mode buttons.
 DVD: to switch input and remote control mode to DVD
 TV: to switch input and remote control mode to TV
 VCR: to switch input and remote control mode to VCR
 TUNER/BAND: to switch input and remote control mode to TUNER and to change the radio band
- ⑩ **[\blacktriangle +, \blacktriangledown -, \leftarrow L, R \rightarrow]:**
To change settings
- ⑪ **[DELAY, LEVEL]:**
To select speaker delay time and output level to allow adjustment with [\blacktriangle +, \blacktriangledown -]
- ⑫ **[TIMER]:**
To select and set the sleep or wake timer to allow setting with [\blacktriangle +, \blacktriangledown -]
- ⑬ **[1-0]:**
To enter radio frequencies and channels
- ⑭ **[+/- \geq 10]:**
To enter two digit channels
- ⑮ **[SUBWOOFER LEVEL]:**
To adjust subwoofer level
 - Adjust the level in 5 steps
SW MIN, SW 5, SW 10, SW 15, and SW MAX.
 - Select SW --- to stop output.
- ⑯ **[VOL, +, -]:**
To adjust the volume
- ⑰ **[MUTING]:**
To mute the volume

For your reference

- **Once you have set a mode (Sound mode or digital/analogue input) for an input source**
That mode is engaged whenever you reselect the input source.
- **To adjust the bass and treble**
The STEREO mode must be on and input must be either analogue or PCM signals.
- **When using the subwoofer**
Sound can be distorted if you raise the volume while subwoofer level is high. Reduce subwoofer level if this occurs.
- **Muting**
Muting is also canceled when the unit is turned off.



Main unit

- 18 Standby/on switch** [⏻/⏻]
Press to switch the unit from on to standby mode or vice versa. In standby mode, the unit is still consuming a small amount of power.
- 19 [INPUT SELECTOR]:**
To select the input source
- 20 [-RDS, -FM MODE]:** **Continental Europe and the United Kingdom**
Press to change the RDS display, press and hold to switch to monaural mode if FM reception is poor.
[FM MODE]: **Other areas**
Press to switch to monaural mode if FM reception is poor.
- 21 [MEMORY]:**
To preset radio stations
- 22 [TUNE MODE]:**
To allow preset channel selection with [V TUNING ^]
- 23 Remote control signal sensor**
- 24 Standby indicator** [⏻]
When the unit is connected to the AC mains supply, this indicator lights up in standby mode and goes out when the unit is turned on.
- 25 [WAKE]:**
Lights when the unit is in standby mode and the wake timer is set.
- 26 [-MULTI DECODER-, DOLBY DIGITAL, DOLBY PRO LOGIC II, DTS]:**
Light depending on the source you are playing.
DOLBY DIGITAL: Dolby Digital sources
DOLBY PRO LOGIC II: Analogue sources in SURROUND mode
Digital sources with 2-channel signals in SURROUND mode
DTS: DTS sources
- 27 [DIGITAL INPUT]:**
Lights when digital input is selected.
- 28 [VOLUME, <, >]:**
Volume control and display. < DOWN and > UP light while adjusting the volume.
- 29 [PHONES]:**
Headphone jack
Plug type: 6.3 mm stereo
- Avoid listening for prolonged periods of time to prevent hearing damage.
 - The STEREO mode is engaged when you connect headphones and you cannot select any of the other sound modes.
- 30 [V TUNING ^]:**
For tuning the radio and selecting preset stations

Display section

- 31 [SURROUND, SFC]:**
Show the current sound mode.
- 32 [RDS, PS, PTY]:** **Continental Europe and the United Kingdom**
Show the current RDS signal type.
RDS: lights while RDS signals are being received
PS: program service, the station name
PTY: program type
- 33 [LFE, LS, L, C, R, RS, S]:**
Show the channels contained in the digital input signal. They do not light when input is analogue.
LFE (Low Frequency Effect): Deep-bass effect.
LS: Surround channel (left)
L: Front channel (left)
C: Center channel
R: Front channel (right)
RS: Surround channel (right)
S: If the surround channel is monaural.
- 34 [M]:**
Memory indicator, flashes during presetting.
- 35 [TUNED]:**
A station is tuned.
- 36 [SLEEP]:**
The sleep timer is on.
- 37 [STEREO, MONO]:**
STEREO: a stereo FM broadcast is tuned
MONO: you have switched to monaural mode
- 38 General display**
Shows the input mode, radio frequency, and other general information.
- 39 [kHz, MHz]:**
kHz: AM, or PCM sampling frequency
MHz: FM

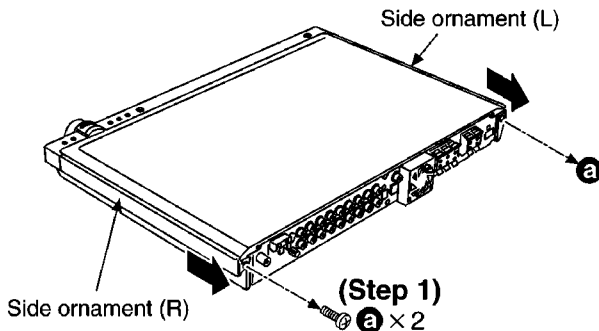
6 Operation Checks and Component Replacement Procedures

- This section describes procedures for checking the operation of the major printed circuit boards and replacing the main components.
- For reassembly after operation checks or replacement, reverse the respective procedures. Special reassembly procedures are described only when required.

6.1. Checking for the main P.C.B. and DSP P.C.B.

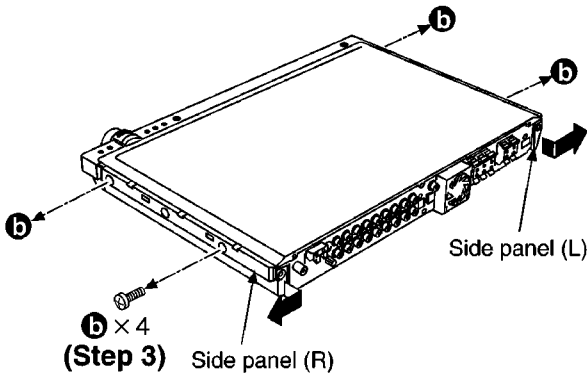
(Step 2)

Slide the side ornament (L), (R), and then remove it.



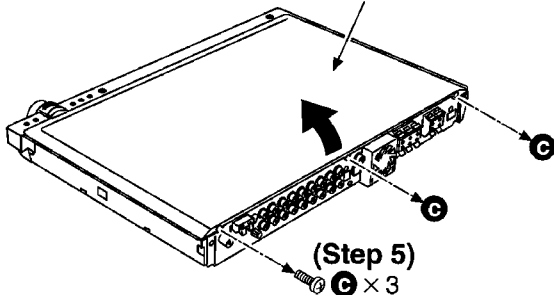
(Step 4)

Slide the side panel (L), (R), and then remove it.

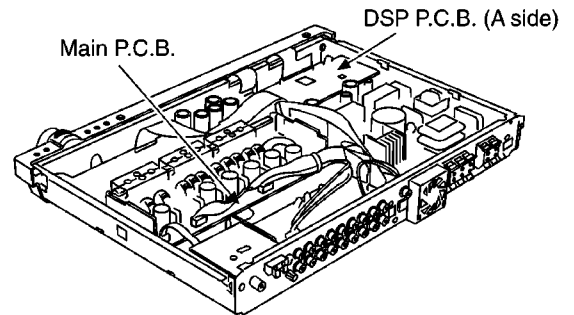


(Step 6)

Remove the top cover.

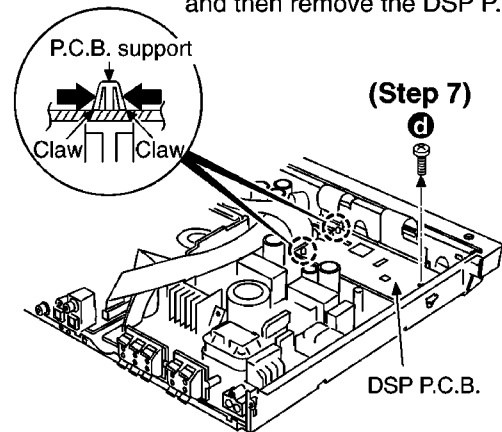


- Check the main P.C.B. and DSP P.C.B. (A side) as shown below.

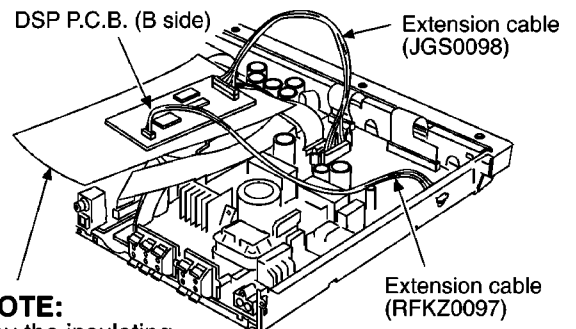


(Step 8)

Release the claws of P.C.B. support, and then remove the DSP P.C.B..



- Check the DSP P.C.B. (B side) as shown below.



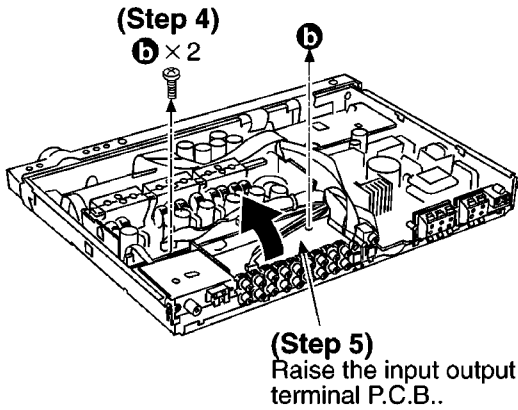
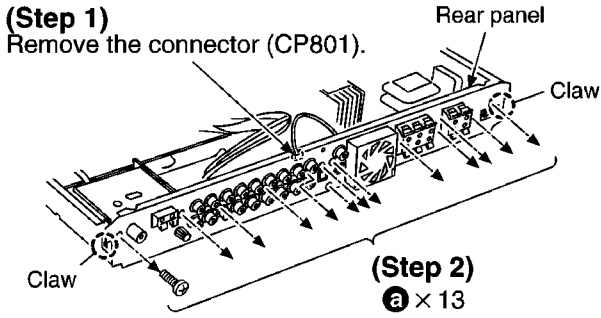
NOTE:
Lay the insulating material.

(Step 9)

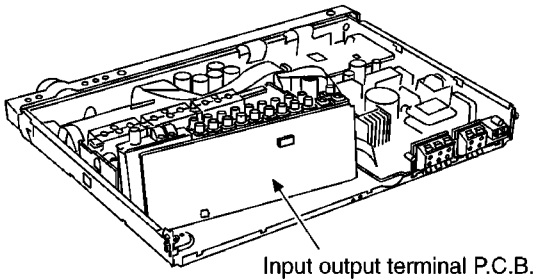
Connect the extension cables (2 point).

6.2. Checking for the input output terminal P.C.B.

- Follow the (Step 1) - (Step 6) of item 6.1.

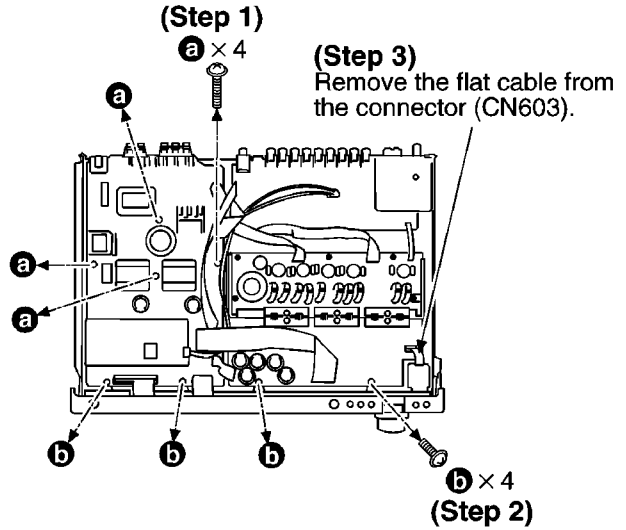


- Check the input output terminal P.C.B. as shown below.

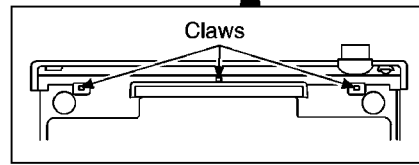
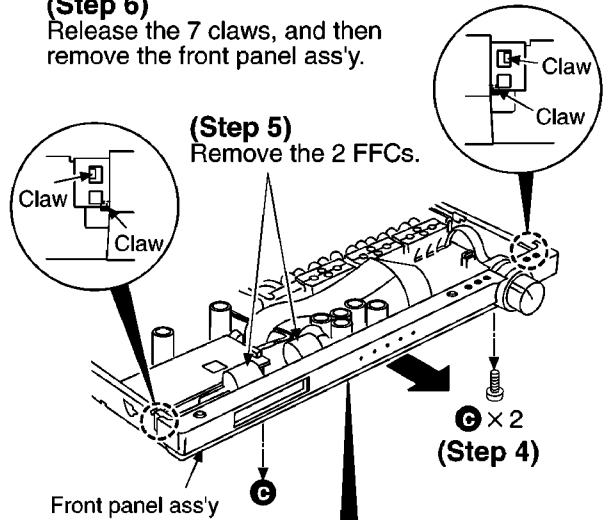


6.3. Checking for the power supply P.C.B.

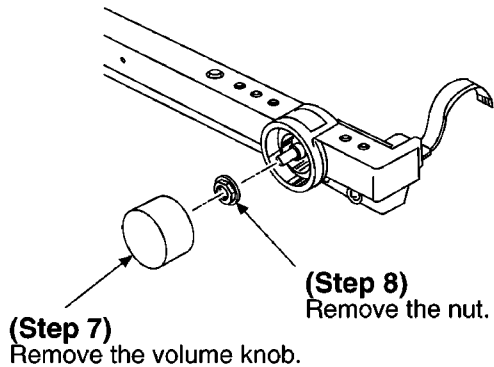
- Follow the (Step 1) - (Step 6) of item 6.1.
- Follow the (Step 1) - (Step 3) of item 6.2.



- (Step 6)**
Release the 7 claws, and then remove the front panel ass'y.

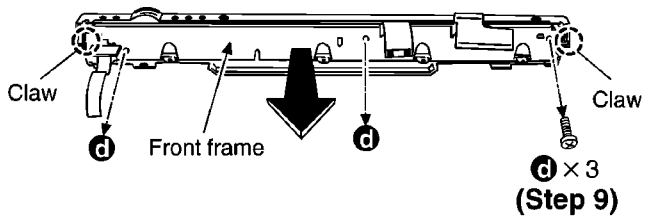


(Bottom side)

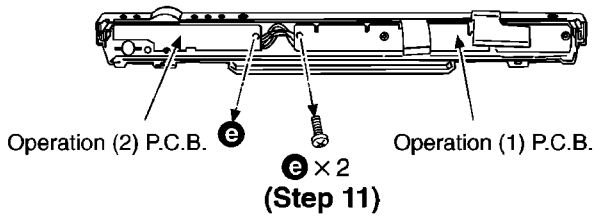


(Step 10)

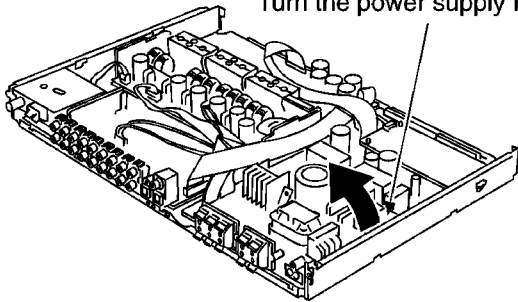
Release the 2 claws, and then remove the front frame.

**(Step 12)**

Remove the operation (1) P.C.B. and operation (2) P.C.B..

**(Step 13)**

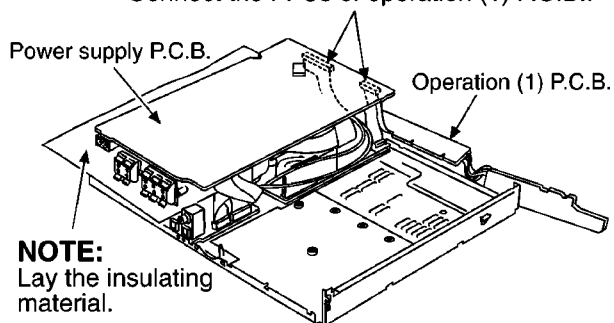
Turn the power supply P.C.B..



- Check the power supply P.C.B. as shown below.

(Step 14)

Connect the FFCs of operation (1) P.C.B..



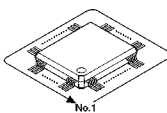
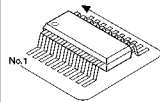
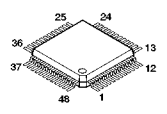
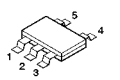
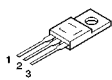
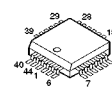
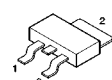
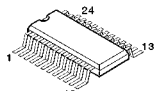
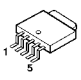
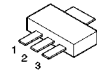
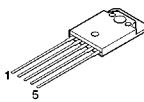
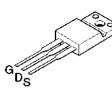
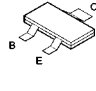
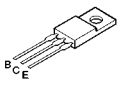
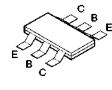
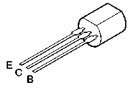

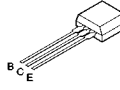
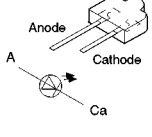
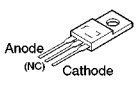
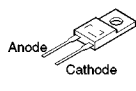
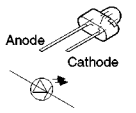
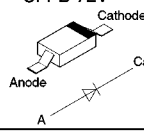
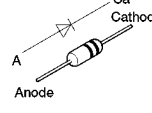
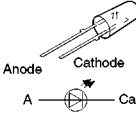
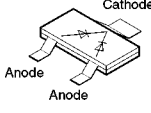
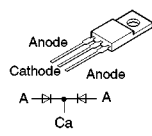
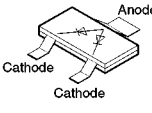
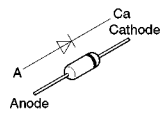
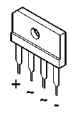
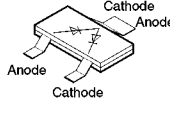
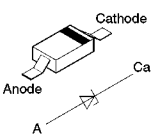
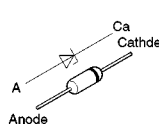
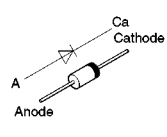
7 Self-Diagnosis Function

This model is equipped with a self-diagnosis function and shows the following indication on the LCD.

Display contents	Cause	Processing method
F61	Power amp output is abnormal.	Check of power amp and power supply circuit.
F70	Communication error between sub microprocessor and peripheral LSI.	Check between sub microprocessor and peripheral LSI.

8 Schematic Diagram Notes




8.1. Type Illustration of IC's, Transistors and Diodes

<p>C2BBFE000123 80PIN C2BBGE000607100PIN</p> 						<p>C1BB00000672 28PIN C0JBAZ001437 20PIN C0JBAZ001003 20PIN C0JBAF000464 20PIN C0JBAZ001539 20PIN C0AABB000077 8PIN C1BB00000527 16PIN</p>	<p>TC7WH74FUTL 8PIN C0JBAB000371 8PIN C0JBAZ001127 8PIN C0BBCA000040 14PIN C0JBAA000149 14PIN C0JBAC000262 14PIN C1ZBZ0002016 8PIN</p>	<p>C3DBNC000075 32PIN TC7WH157FUTL 8PIN NJU7082BVAE1 8PIN NJU7313AMT2 30PIN NJM2279MT2 14PIN NJM4580EDTE1 8PIN NJM2115MTE1 8PIN</p>
<p>C1BB00000692 C0ZBZ0000654</p> 	<p>C0JBAB000423 C0EBE0000200</p> 	<p>C0EAS0000013</p> 	<p>C2HBZJ000001</p> 	<p>C0CBAYD00002</p> 	<p>C0DBZZD00007</p> 			
<p>PQ1CZ21H2ZP C0DBZZF00001</p> 	<p>C0CBADC00042 C0CBADC00041</p> 	<p>C1DA00000248</p> 	<p>B1DEGL000004 B1DEGF000001</p> 	<p>B1ABDB000029 DTA114YETL UN5111TX UN5114TX UNR211500L UN2215TX UN2211TX 2SA1037AKSTX 2SC2412KT96R</p> 				
<p>B1BACJ000005</p> 	<p>B1GFGCAA0001</p> 	<p>2SB621ARSTA 2SD592AQRSTA</p> 	<p>UN4211TA UN4212TA UN4111TA</p> 	<p>2SD2144STA</p> 	<p>SELS5923C</p> 			
<p>B0AZA0000052</p> 	<p>B0HFRJ000012</p> 	<p>LNJ301MPUJAD LNJ201LPQJA</p> 	<p>1SS355TE17 MA111TX SFPB-72V</p> 	<p>1SS291TA</p> 	<p>LNH0A8CYB0A2</p> 			
<p>B0ADBH000001</p> 	<p>B0JBSG000022</p> 	<p>B0ADCJ000020</p> 	<p>MA165TA MA723TA</p> 	<p>B0FFAR000001</p> 	<p>B0ADCC000002</p> 			
	<p>MA8056MTX MA8082MTX MA8120MTX MA8150LTX MAZ80510LL</p>		<p>MTZJ5R1BTA MTZJ10BTA MTZJ30DTA B0BA01800019</p>		<p>AK03WK RL1N4003N02 B0HAMM000074 B0HANM000012 B0HAJM000005</p>			

8.2. Schematic Diagram Notes


- This schematic diagram may be modified at any time with the development of new technology.

Notes:

- **S951:** Power Standby/on () switch.
- **S952:** Input selector (INPUT SELECTOR) switch.
- **S953:** Channel selection (TUNER MODE) switch.
- **S954:** Tuning ( ,TUNING) switch.
- **S955:** Tuning ( ,TUNING) switch.
- **S956:** FM mode (FM MODE) switch.
- **S957:** Memory (MEMORY) switch.
- **VR901:** Main volume V.R..
- Indicated voltage values are the standard values for the unit measured by the DC electronic circuit tester (high-impedance)with the chassis taken as standard. Therefore, there may exist some errors in the voltage values, depending on the internal impedance of the DC circuit tester.

No mark: Power ON

- Important safety notice:

Components identified by  mark have special characteristics important for safety.

Furthermore, special parts which have purposes of fire-retardant (resistors), high-quality sound (capacitors), low-noise (resistors), etc. are used.

When replacing any of components, be sure to use only manufacture's specified parts shown in the parts list.

Caution!

- Secondary trouble can be prevented by taking care during repair.
- IC and LSI are sensitive to static electricity.
- Cover the parts boxes made of plastics with aluminum foil.
- Ground the soldering iron.
- Put a conductive mat on the work table.
- Do not touch the legs of IC or LSI with the fingers directly.

- **Voltage and signal lines**


 : Positive voltage line

 : Negative voltage line

 : FM signal line

 : AM signal line

 : FM/AM signal line

 : FM OSC signal line

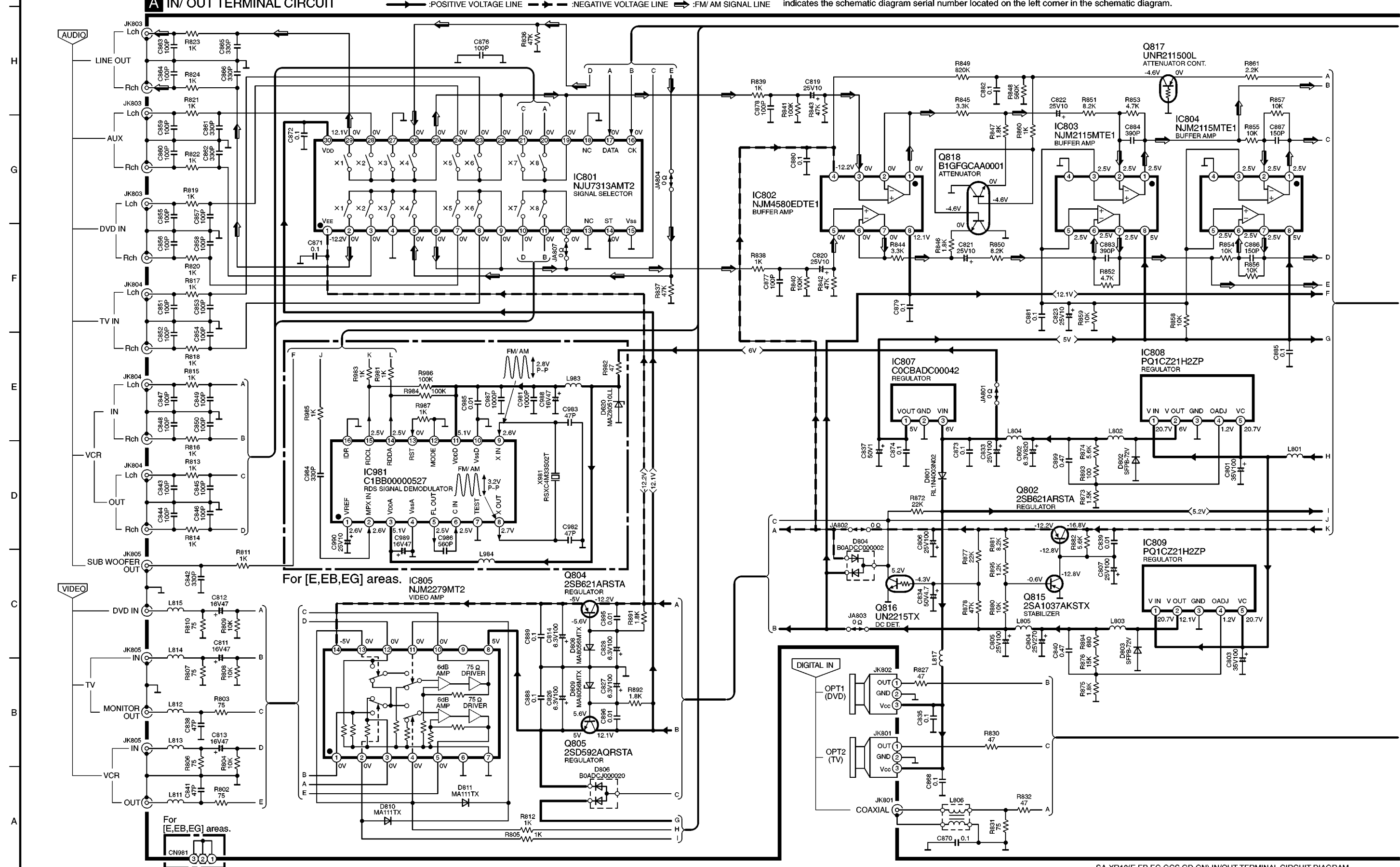
 : AM OSC signal line

9 Schematic Diagram

SCHEMATIC DIAGRAM-1

A IN/ OUT TERMINAL CIRCUIT

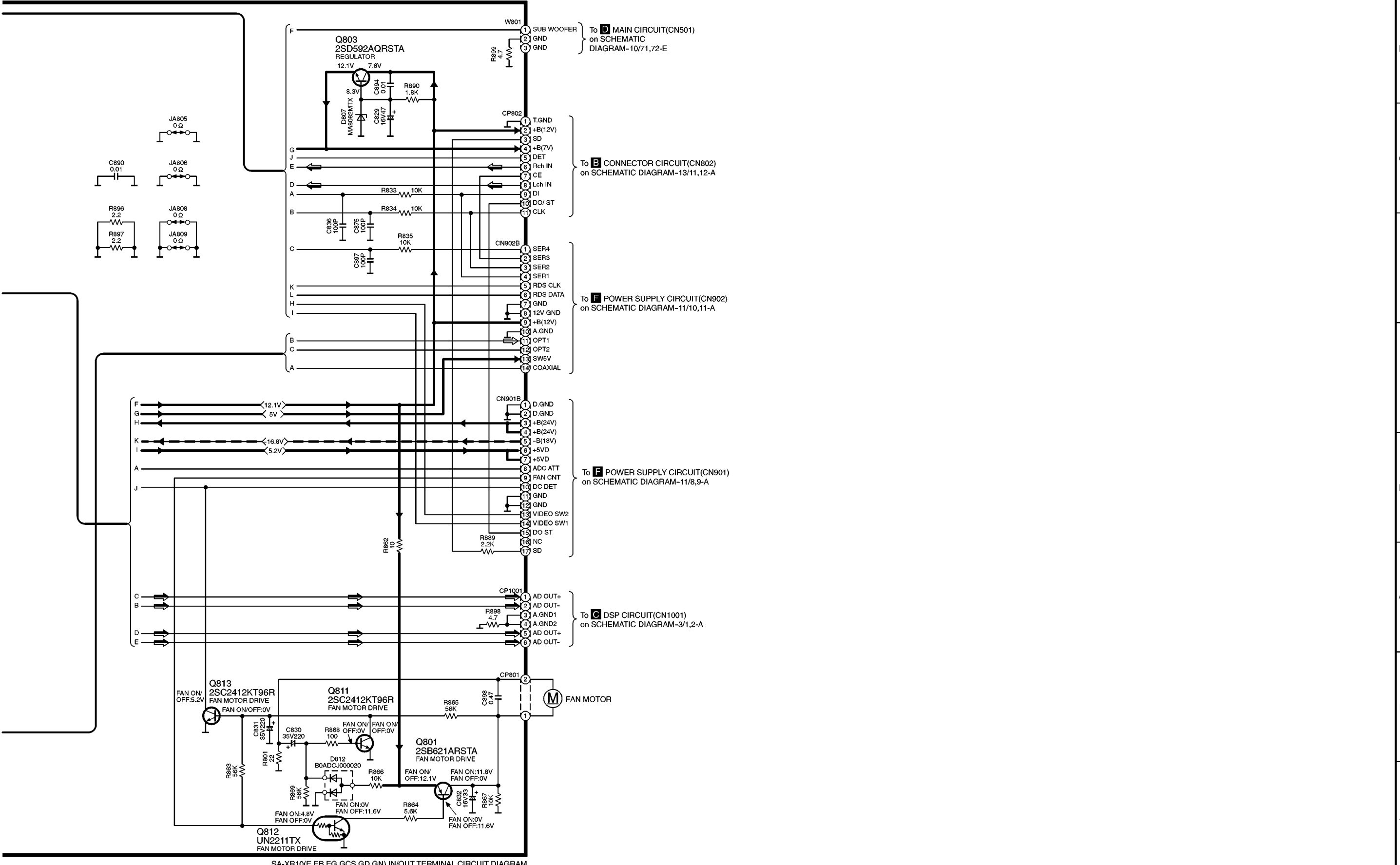
NOTE: The number which noted at the connectors on the schematic diagram as "SCHEMATIC DIAGRAM-1" or "SCHEMATIC DIAGRAM-2" indicates the schematic diagram serial number located on the left corner in the schematic diagram.



SA-XR10(E,EB,EG,GCS,GD,GN) IN/OUT TERMINAL CIRCUIT DIAGRAM

A IN/ OUT TERMINAL CIRCUIT

→ : POSITIVE VOLTAGE LINE ← : NEGATIVE VOLTAGE LINE ⇨ : FM/ AM SIGNAL LINE

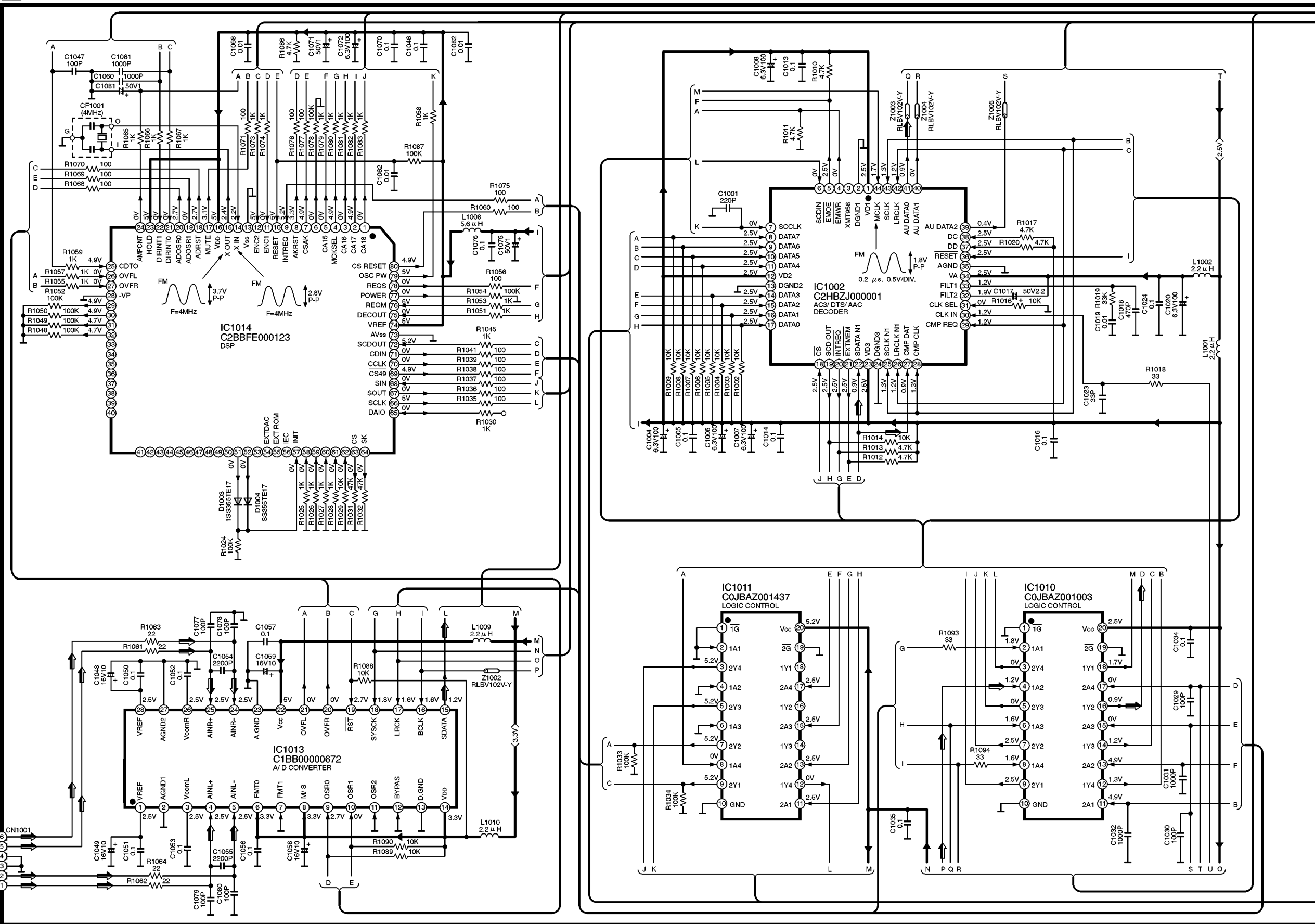


SA-XR10(E,EB,EG,GCS,GD,GN) IN/OUT TERMINAL CIRCUIT DIAGRAM

SCHEMATIC DIAGRAM-3

DSP CIRCUIT

→ : POSITIVE VOLTAGE LINE → : NEGATIVE VOLTAGE LINE ⇨ : FM/AM SIGNAL LINE

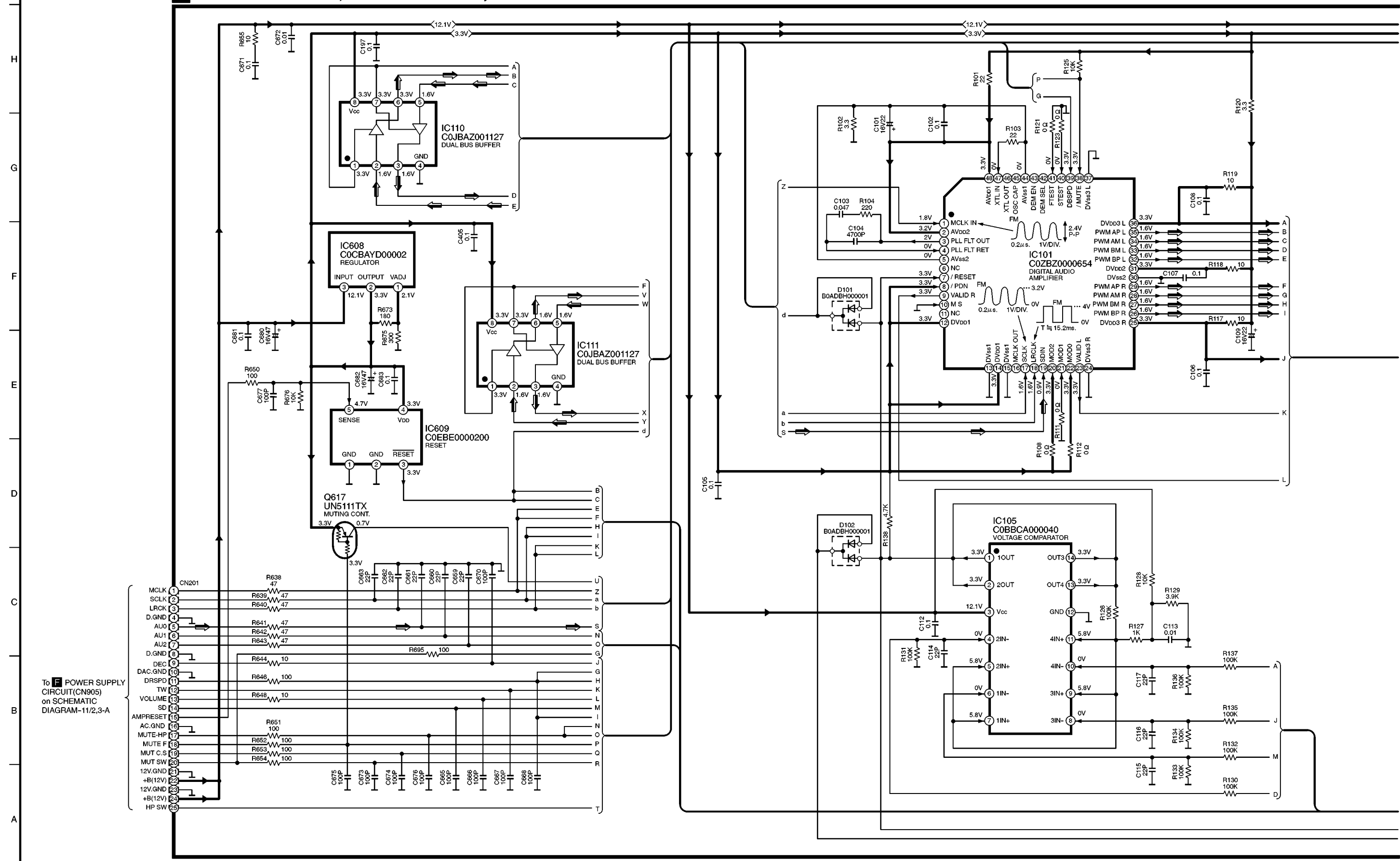


To **A** IN/OUT TERMINAL CIRCUIT(CP1001) on SCHEMATIC DIAGRAM-2/18-C

SCHEMATIC DIAGRAM-5

D MAIN CIRCUIT

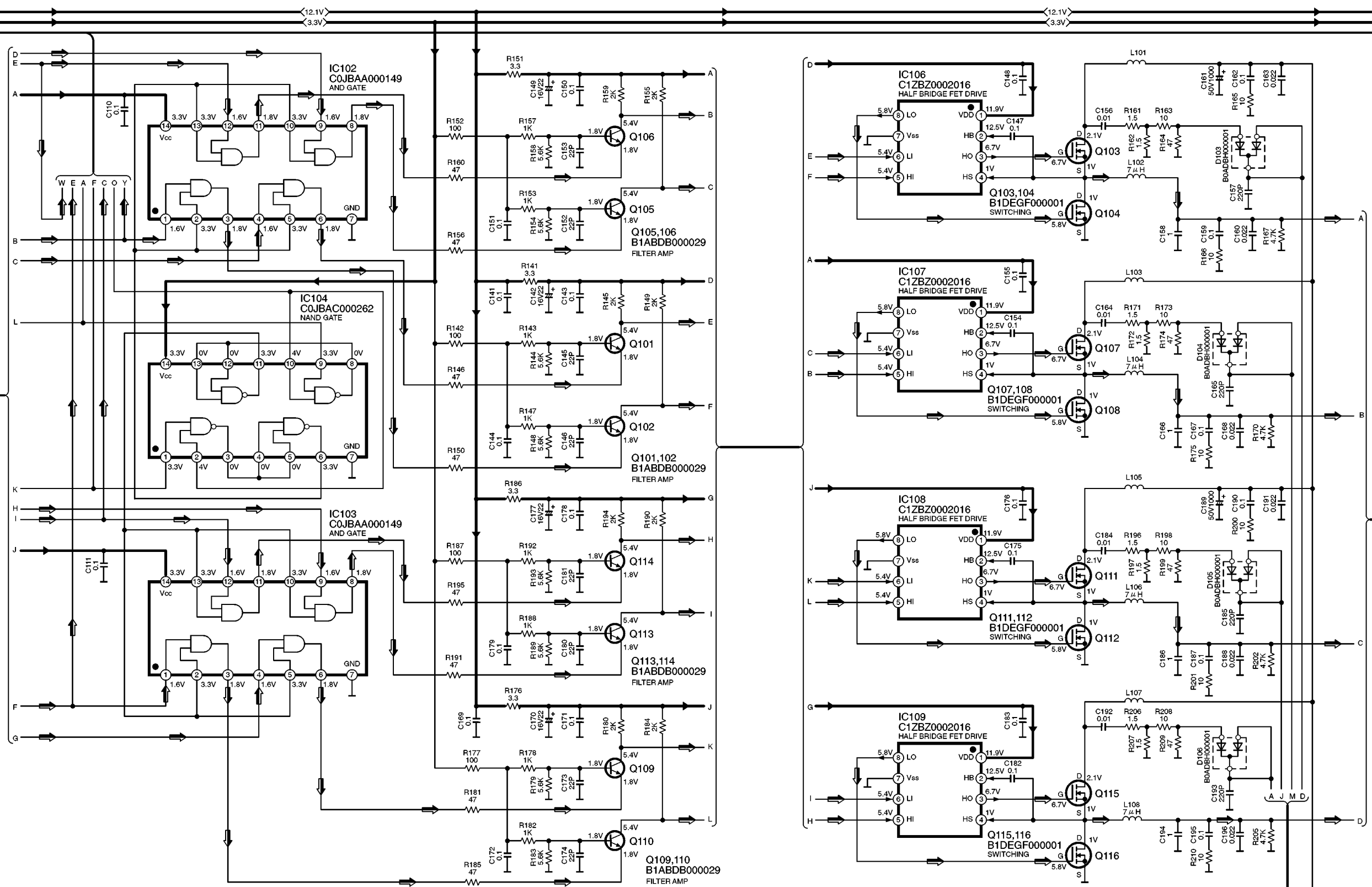
→ : POSITIVE VOLTAGE LINE
 ⇨ : FM/AM SIGNAL LINE



To **F** POWER SUPPLY CIRCUIT(CN905) on SCHEMATIC DIAGRAM-11/2,3-A

SCHEMATIC DIAGRAM-6 **D** MAIN CIRCUIT

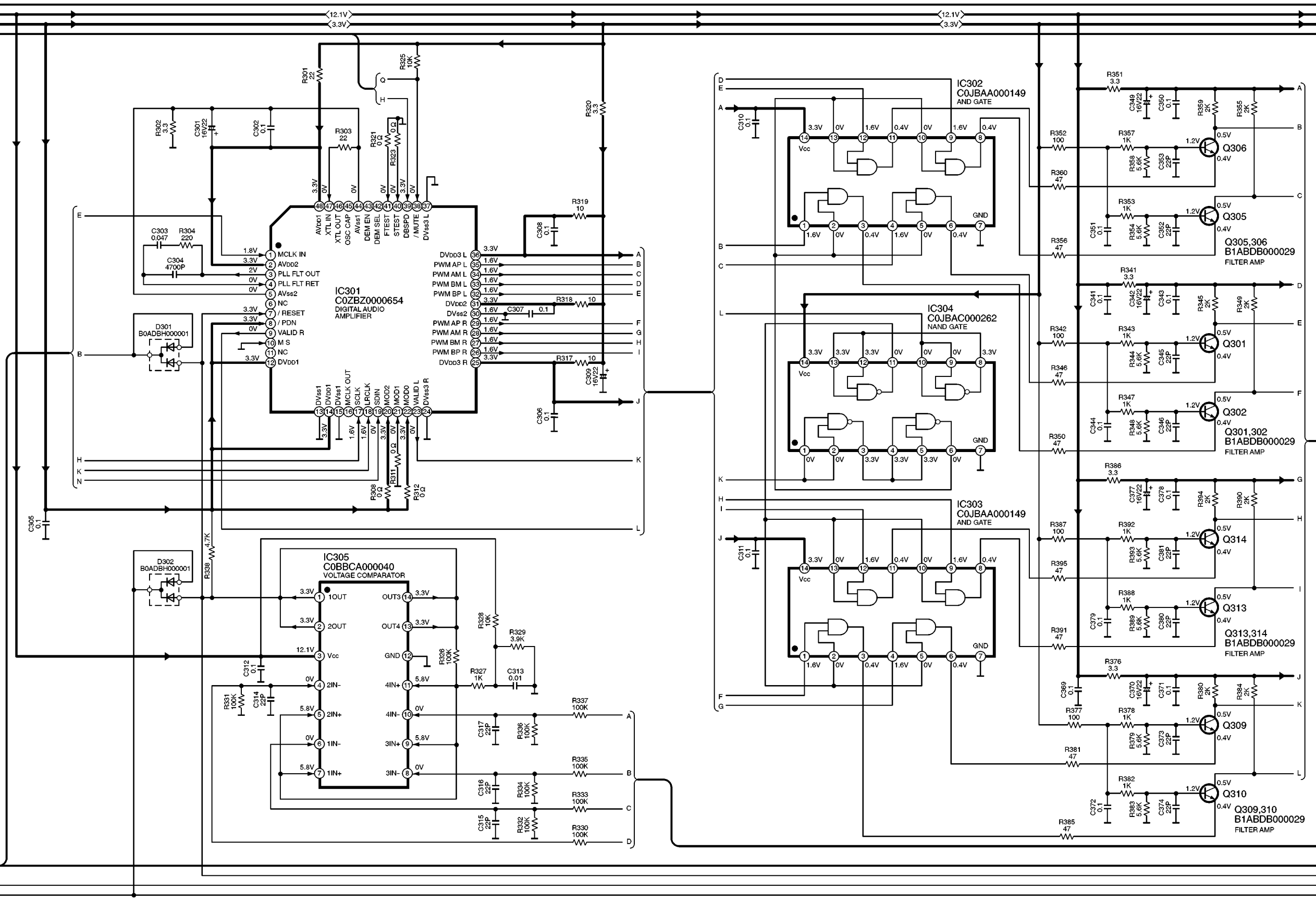
→ : POSITIVE VOLTAGE LINE ⇨ : FM/AM SIGNAL LINE



SCHEMATIC DIAGRAM-7

D MAIN CIRCUIT

→ : POSITIVE VOLTAGE LINE

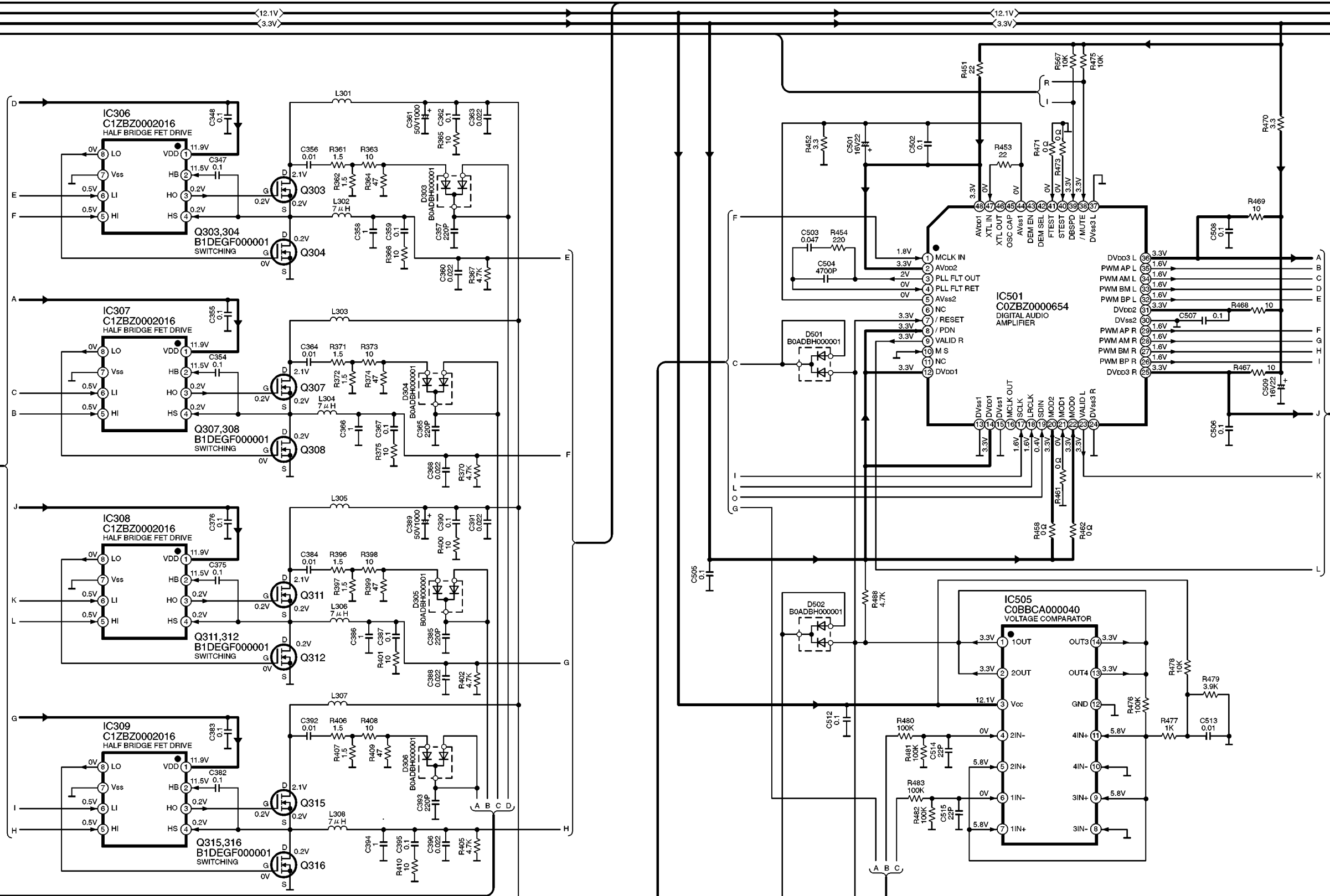


SA-XR10(E,EB,EG,GCS,GD,GN) MAIN CIRCUIT DIAGRAM

25 26 27 28 29 30 31 32 33 34 35 36

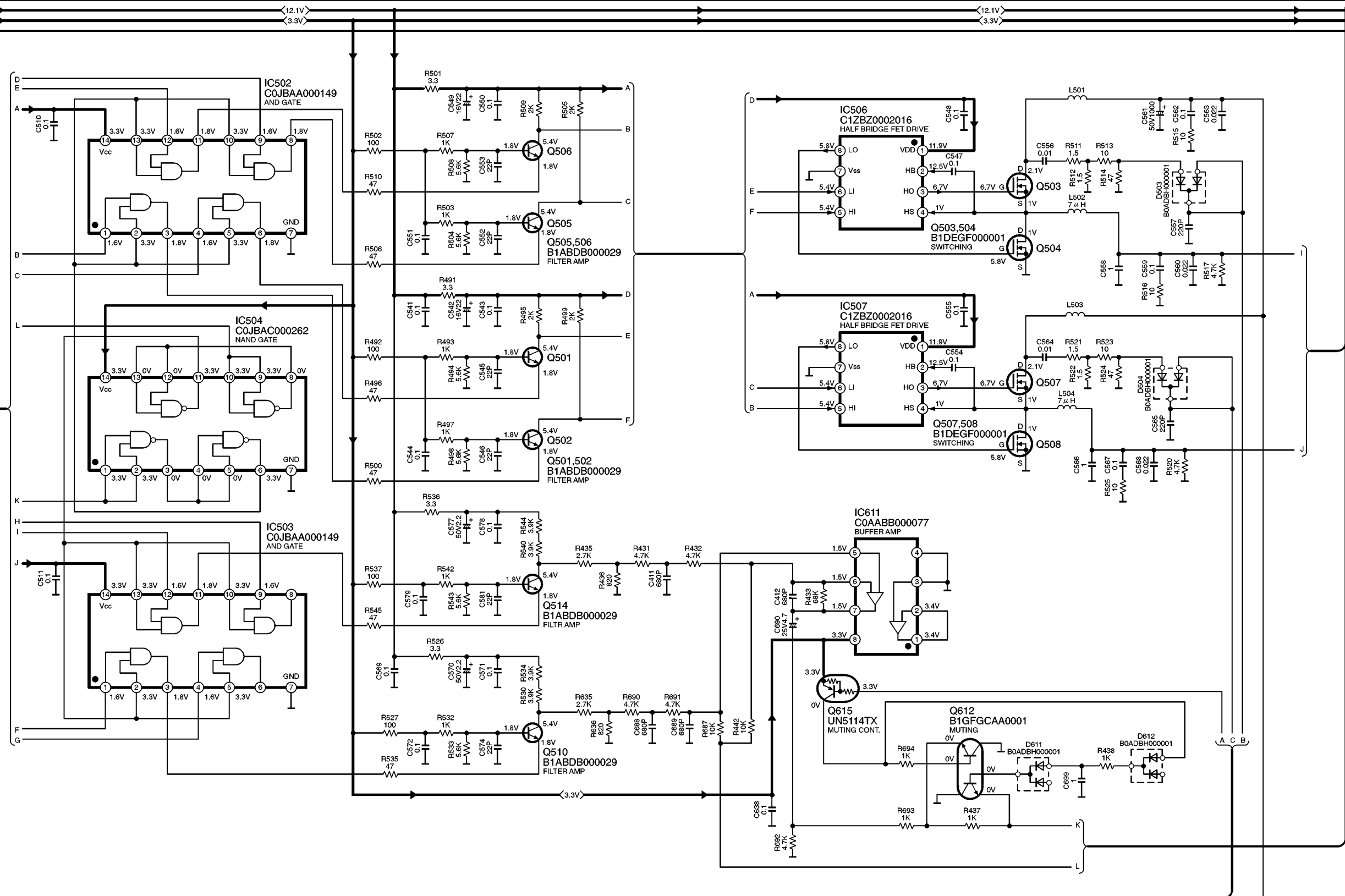
D MAIN CIRCUIT

→ : POSITIVE VOLTAGE LINE



SCHEMATIC DIAGRAM-9 **D** MAIN CIRCUIT

→ : POSITIVE VOLTAGE LINE

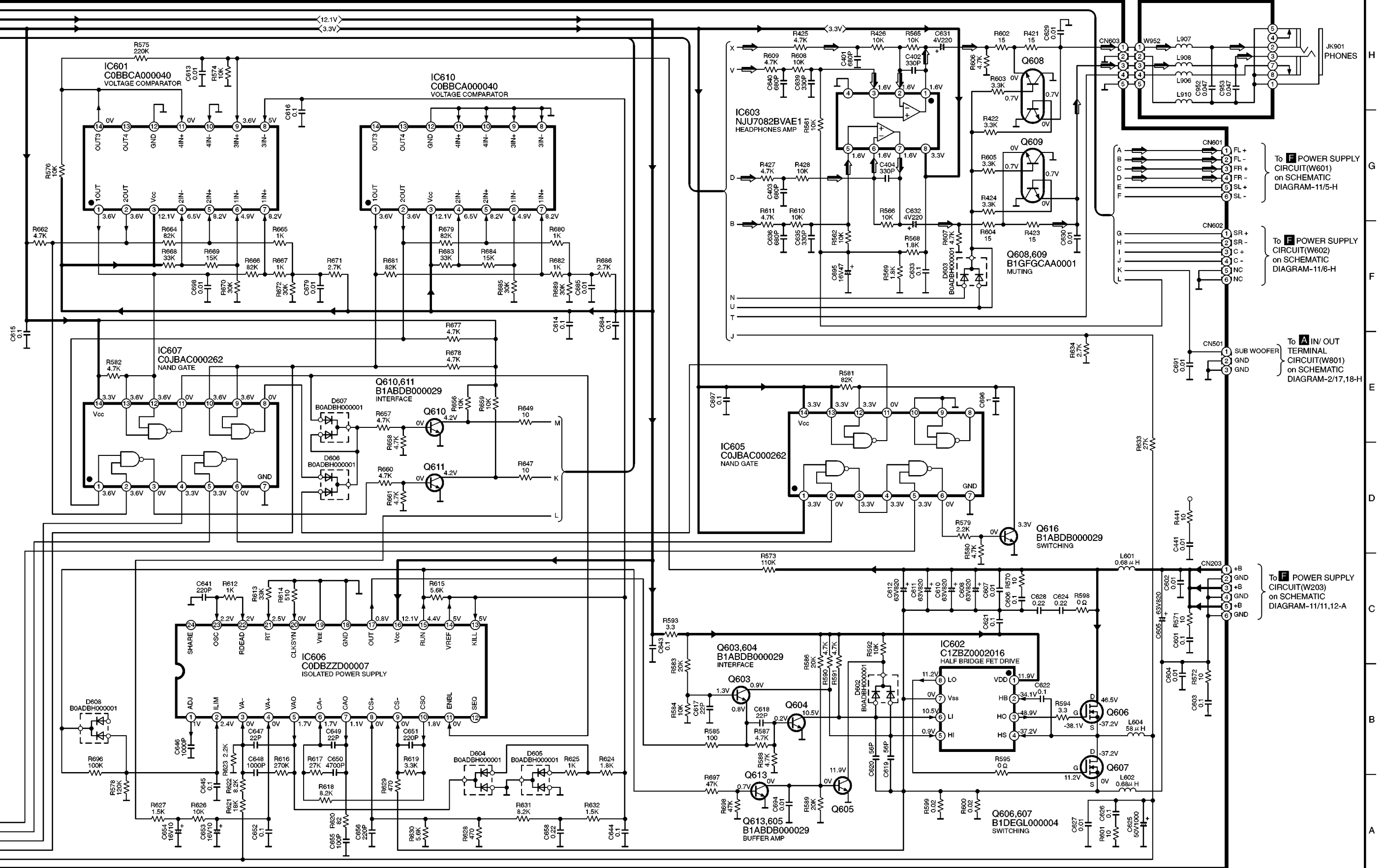


SCHEMATIC DIAGRAM-10

D MAIN CIRCUIT

→ : POSITIVE VOLTAGE LINE
 ⇨ : FM/AM SIGNAL LINE

E HEAD PHONE CIRCUIT

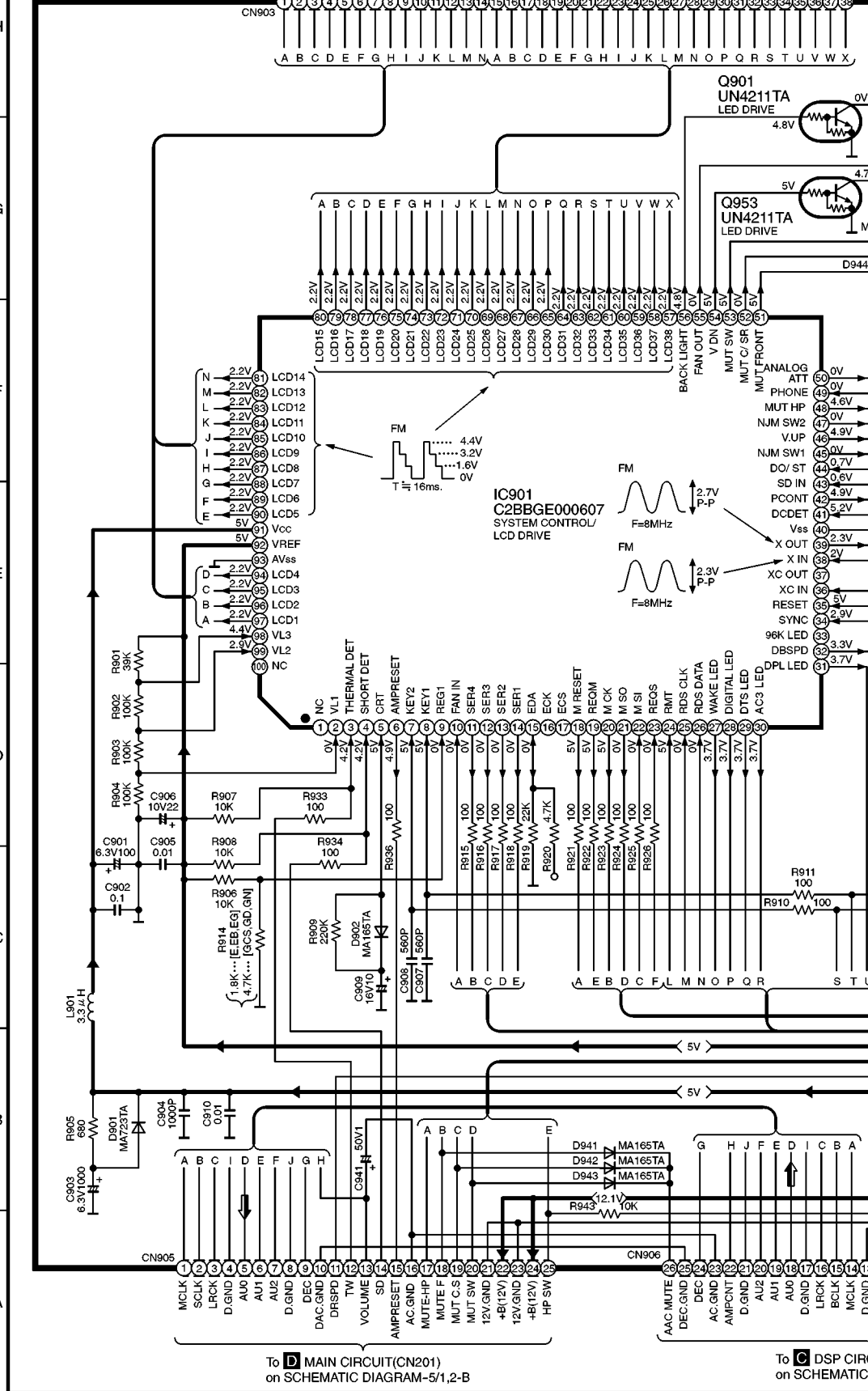


SA-XR10(E,EB,EG,GCS,GD,GN) MAIN CIRCUIT DIAGRAM

SCHEMATIC DIAGRAM-11

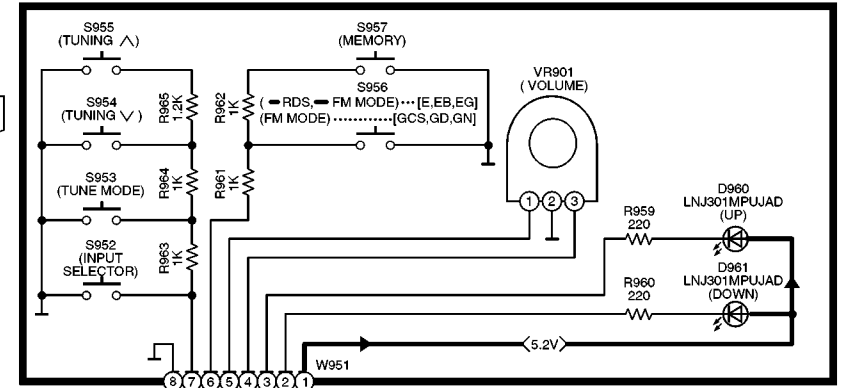
LCD901(L5AABH00002) : POSITIVE VOLTAGE LINE : FM/AM SIGNAL LINE

F POWER SUPPLY CIRCUIT

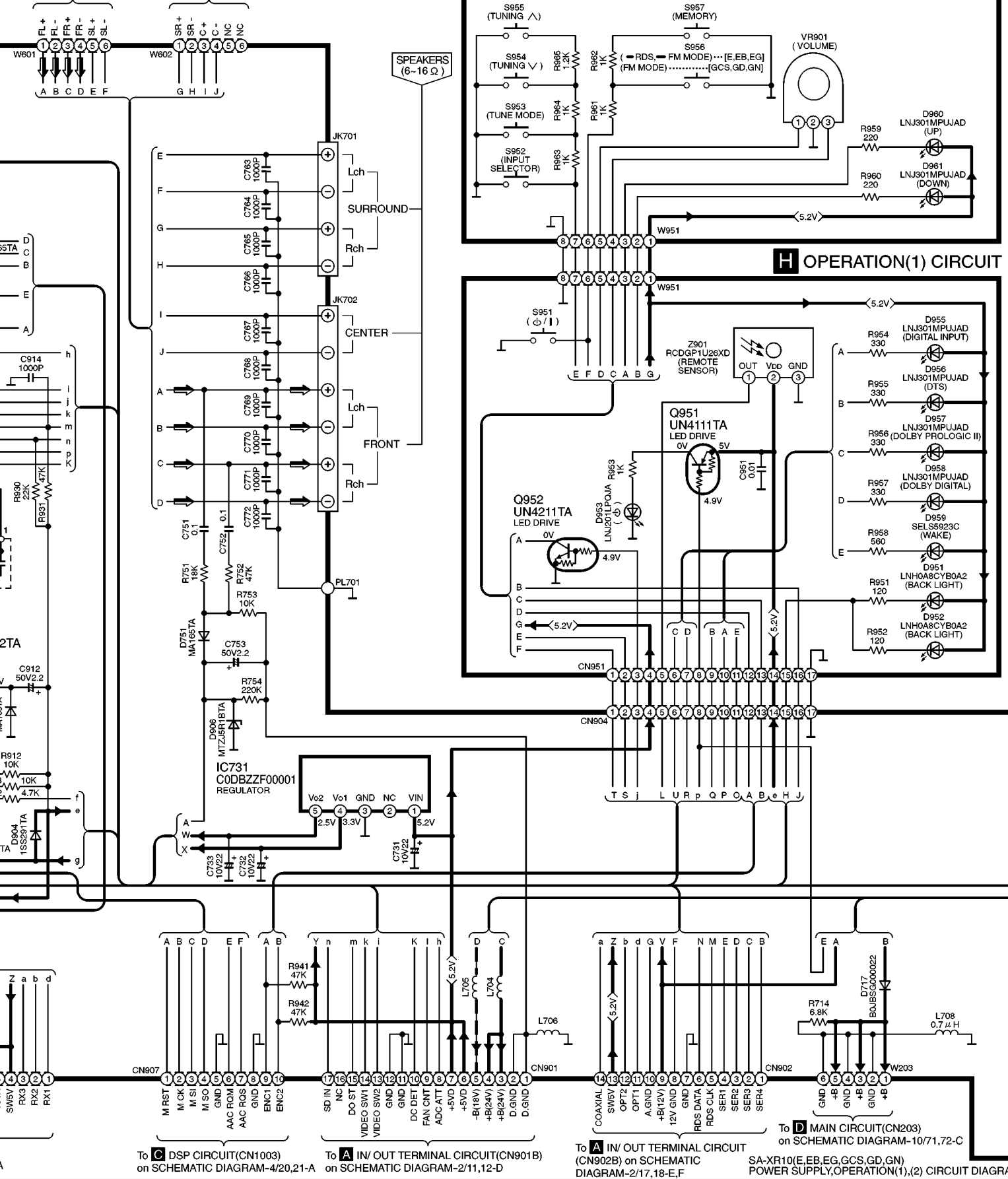
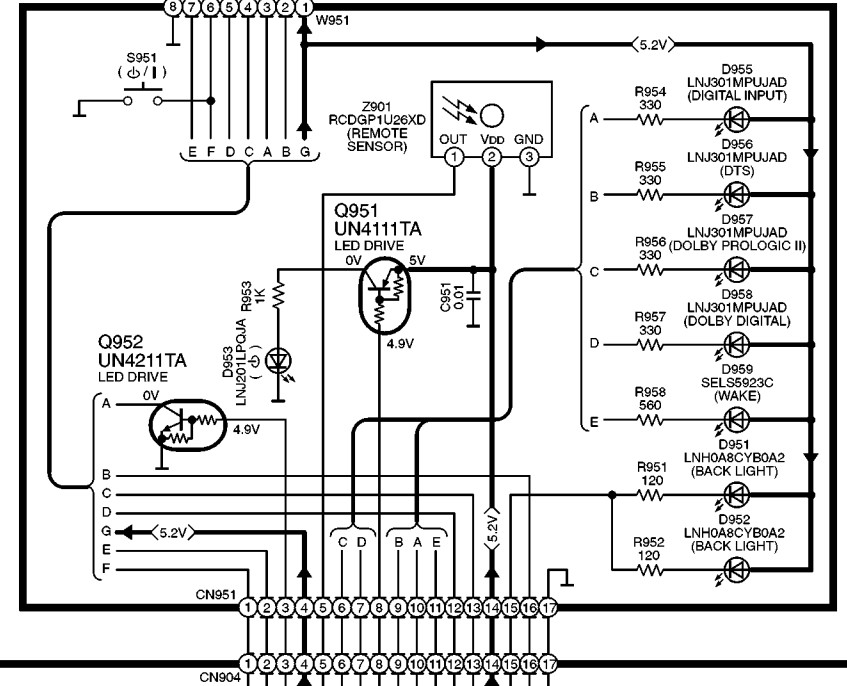


To **D** MAIN CIRCUIT (CN601) on SCHEMATIC DIAGRAM-10/71,72-G
To **D** MAIN CIRCUIT (CN602) on SCHEMATIC DIAGRAM-10/71,72-F

G OPERATION(2) CIRCUIT



H OPERATION(1) CIRCUIT



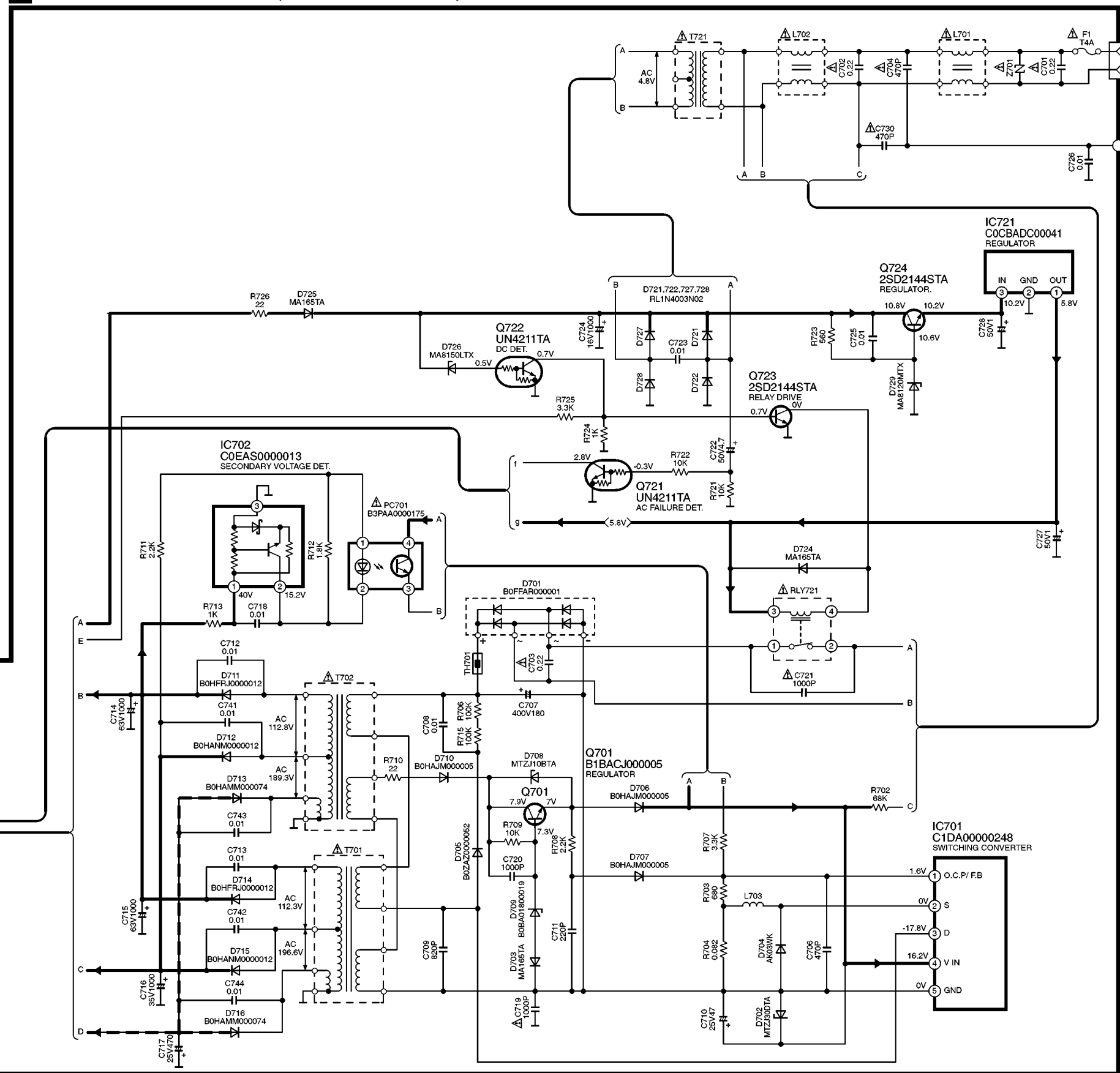
To **D** MAIN CIRCUIT (CN201) on SCHEMATIC DIAGRAM-5/1,2-B
To **C** DSP CIRCUIT (CN1002) on SCHEMATIC DIAGRAM-4/22,23-A
To **C** DSP CIRCUIT (CN1003) on SCHEMATIC DIAGRAM-4/20,21-A
To **A** IN/OUT TERMINAL CIRCUIT (CN901B) on SCHEMATIC DIAGRAM-2/11,12-D
To **A** IN/OUT TERMINAL CIRCUIT (CN902B) on SCHEMATIC DIAGRAM-2/17,18-E,F
To **D** MAIN CIRCUIT (CN203) on SCHEMATIC DIAGRAM-10/71,72-C
SA-XR10(E,EB,EG,GCS,GD,GN) POWER SUPPLY, OPERATION(1),(2) CIRCUIT DIAGRAM

SCHEMATIC DIAGRAM-12

F POWER SUPPLY CIRCUIT

→ : POSITIVE VOLTAGE LINE → - : NEGATIVE VOLTAGE LINE

AC IN
 230V 50Hz.....[E,EG]
 230-240V 50Hz.....[EB,GN]
 220-240V 50/60Hz...[GCS]
 220V 60Hz.....[GD]



SA-XR10(E,EB,EG,GCS,GD,GN) POWER SUPPLY CIRCUIT DIAGRAM

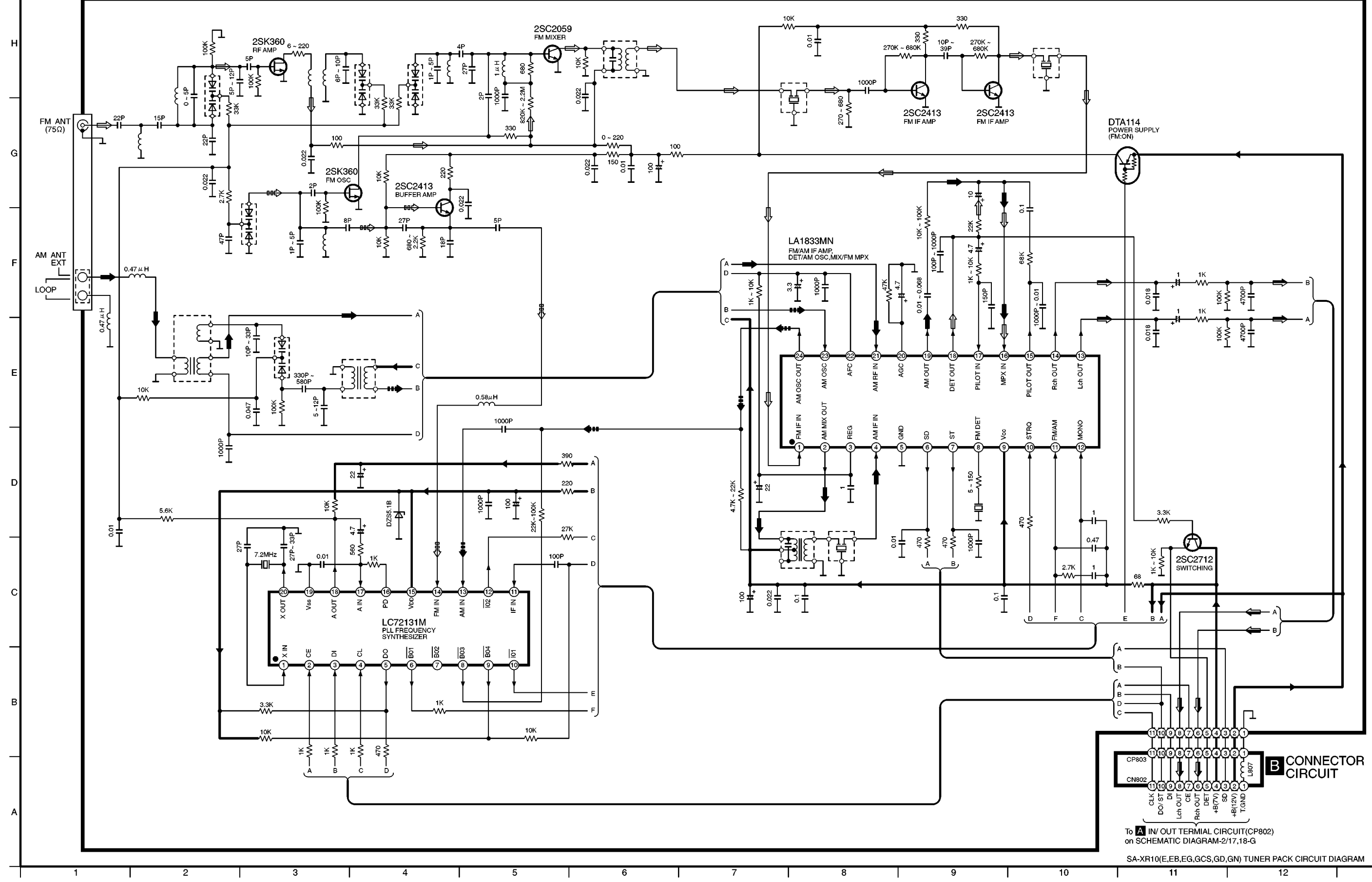
H
G
F
E
D
C
B
A

13 14 15 16 17 18 19 20 21 22 23 24

SCHEMATIC DIAGRAM-13

TUNER PACK(RAN0002EM-1)

→ : POSITIVE VOLTAGE LINE
 ⇨ : FM SIGNAL LINE
 ⇨ : AM SIGNAL LINE
 ⇨ : FM OSC SIGNAL LINE
 ⇨ : AM OSC SIGNAL LINE
 ⇨ : FM/AM SIGNAL LINE

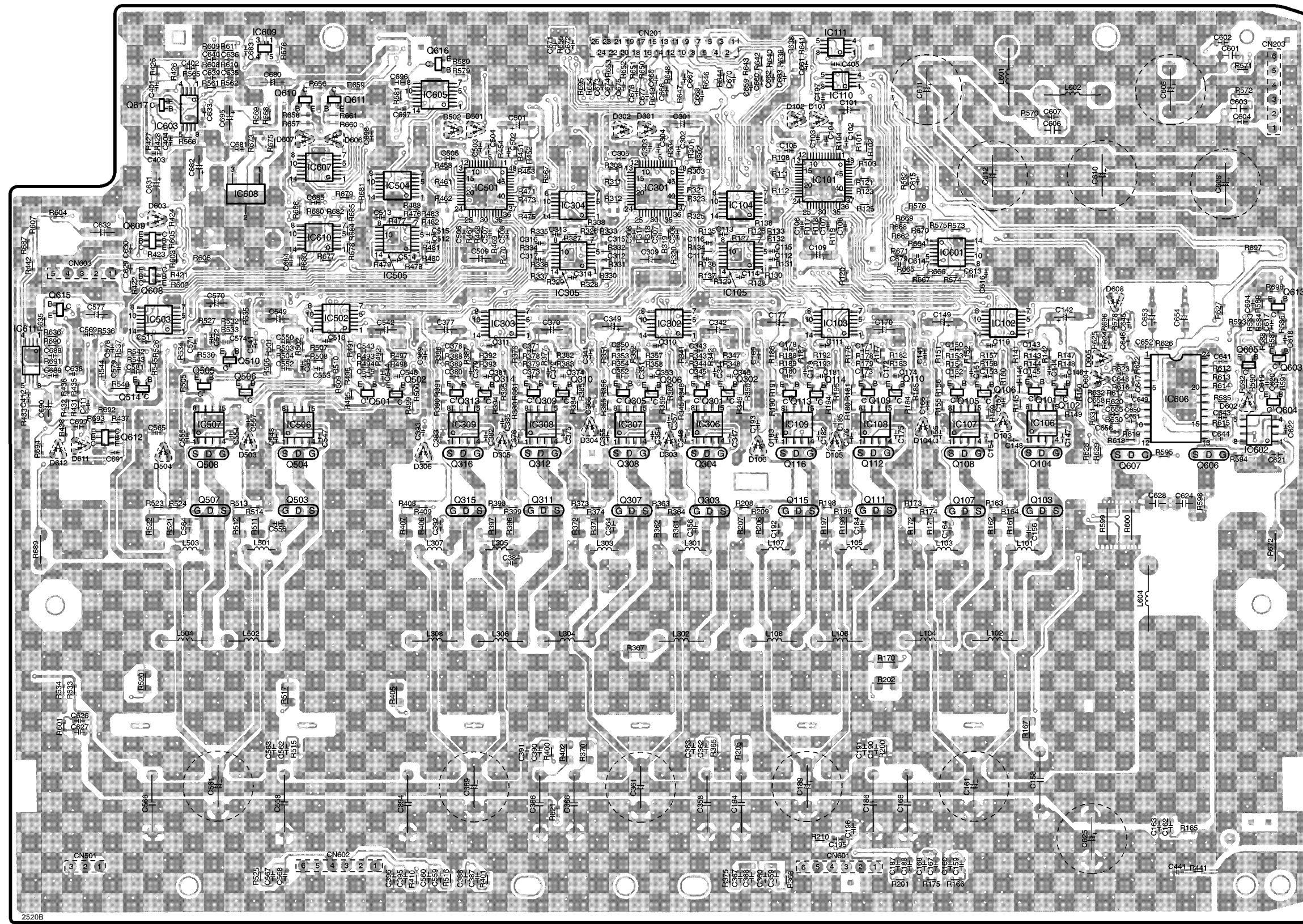


B CONNECTOR CIRCUIT

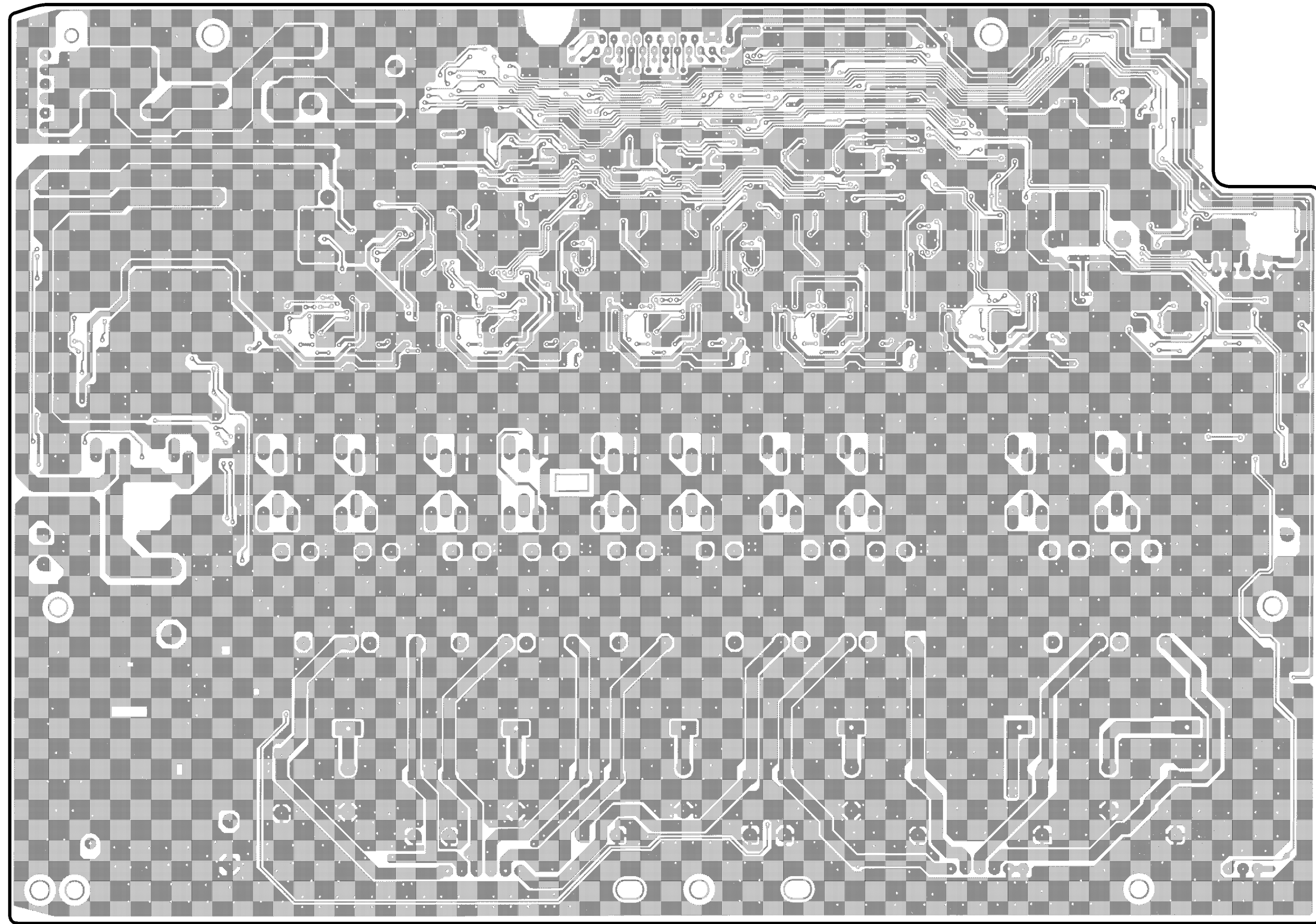
To **A** IN/ OUT TERMINAL CIRCUIT(CP802) on SCHEMATIC DIAGRAM-2/17,18-G

SA-XR10(E,EB,EG,GCS,GD,GN) TUNER PACK CIRCUIT DIAGRAM

D MAIN P.C.B. (SIDE : A)



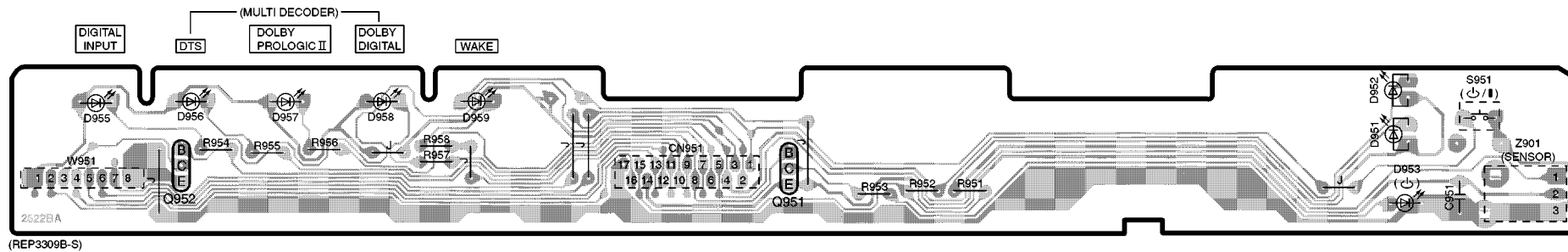
D MAIN P.C.B. (SIDE : B)



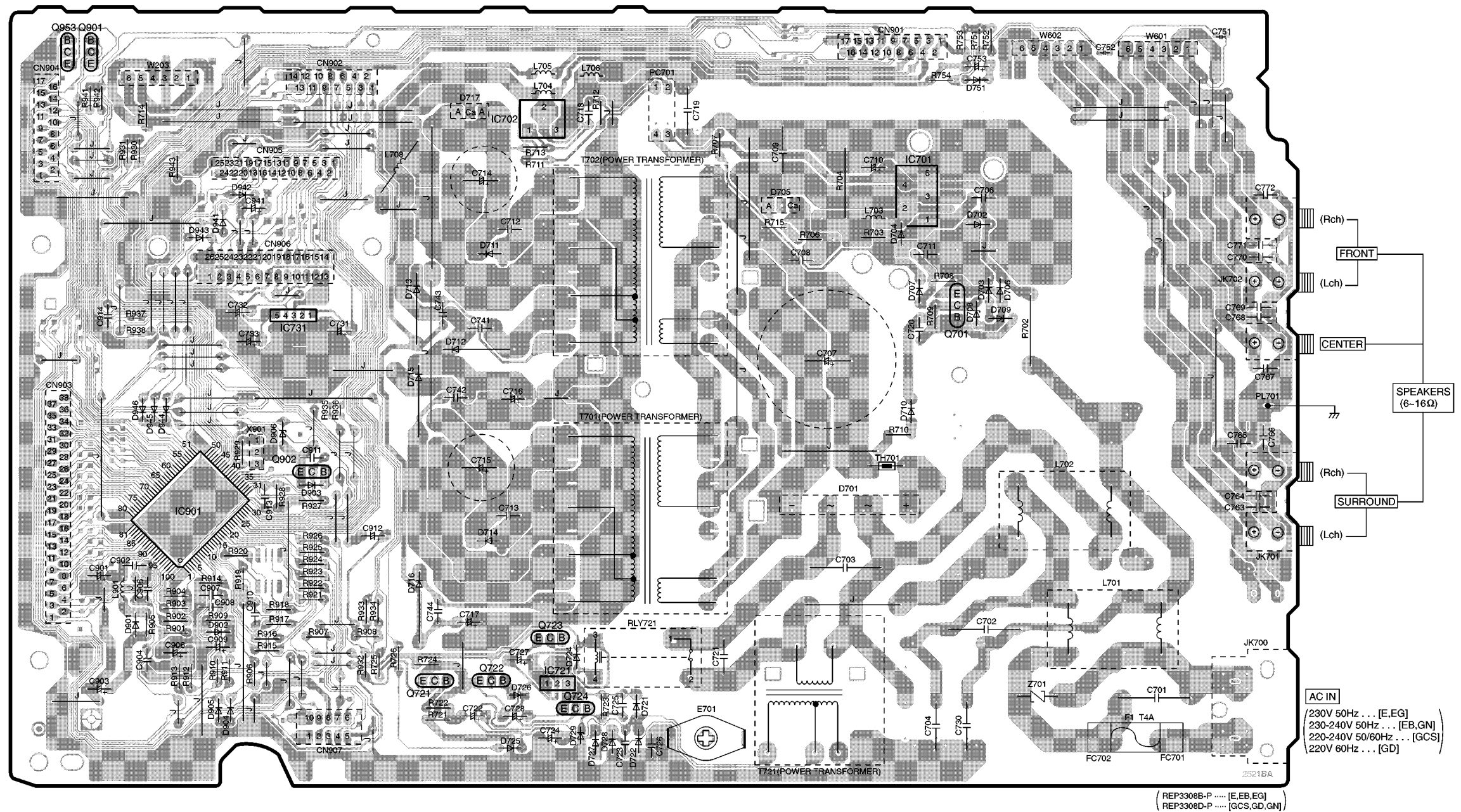
H
G
F
E
D
C
B
A

1 2 3 4 5 6 7 8 9 10 11 12 13

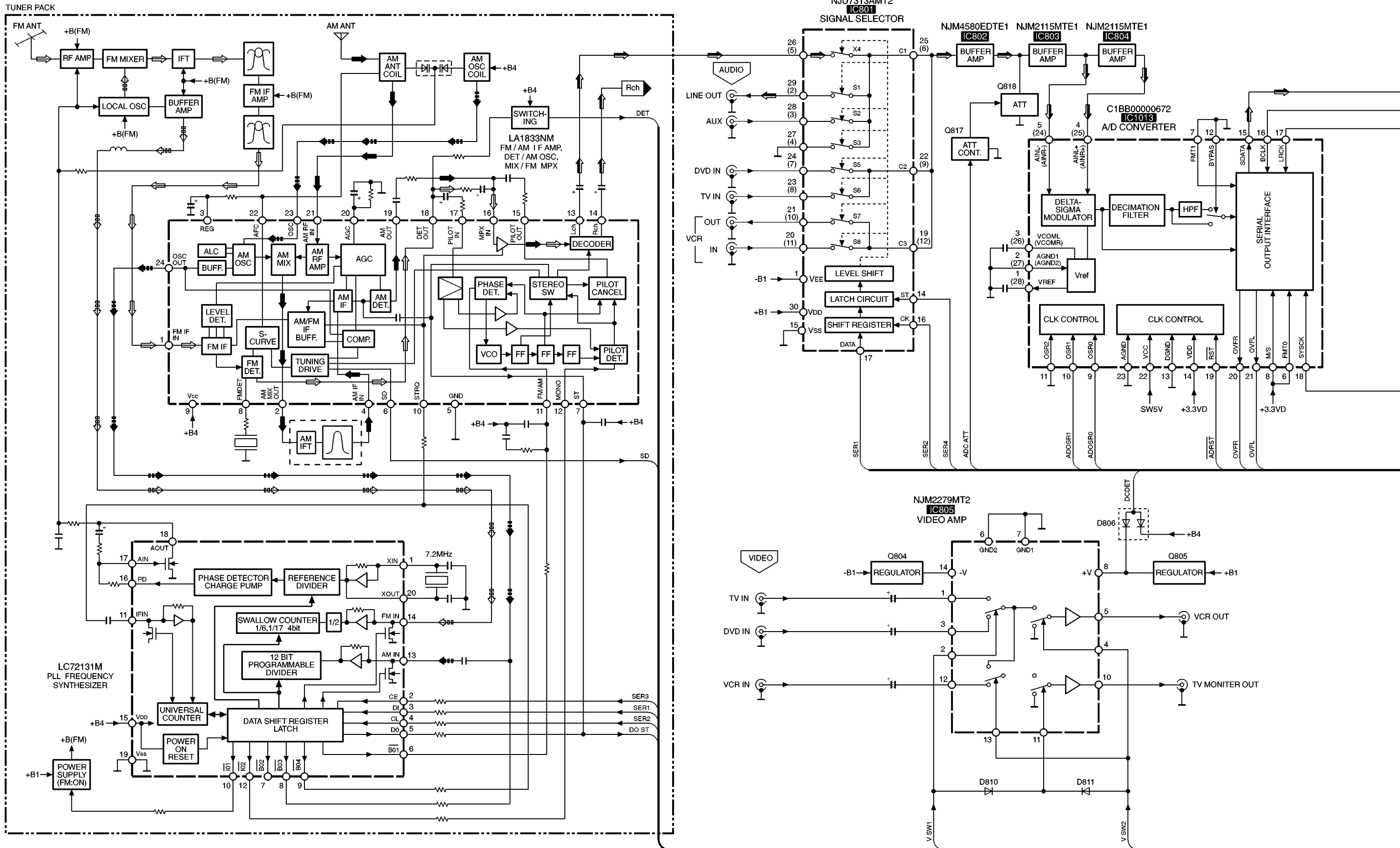
H OPERATION(1) P.C.B.



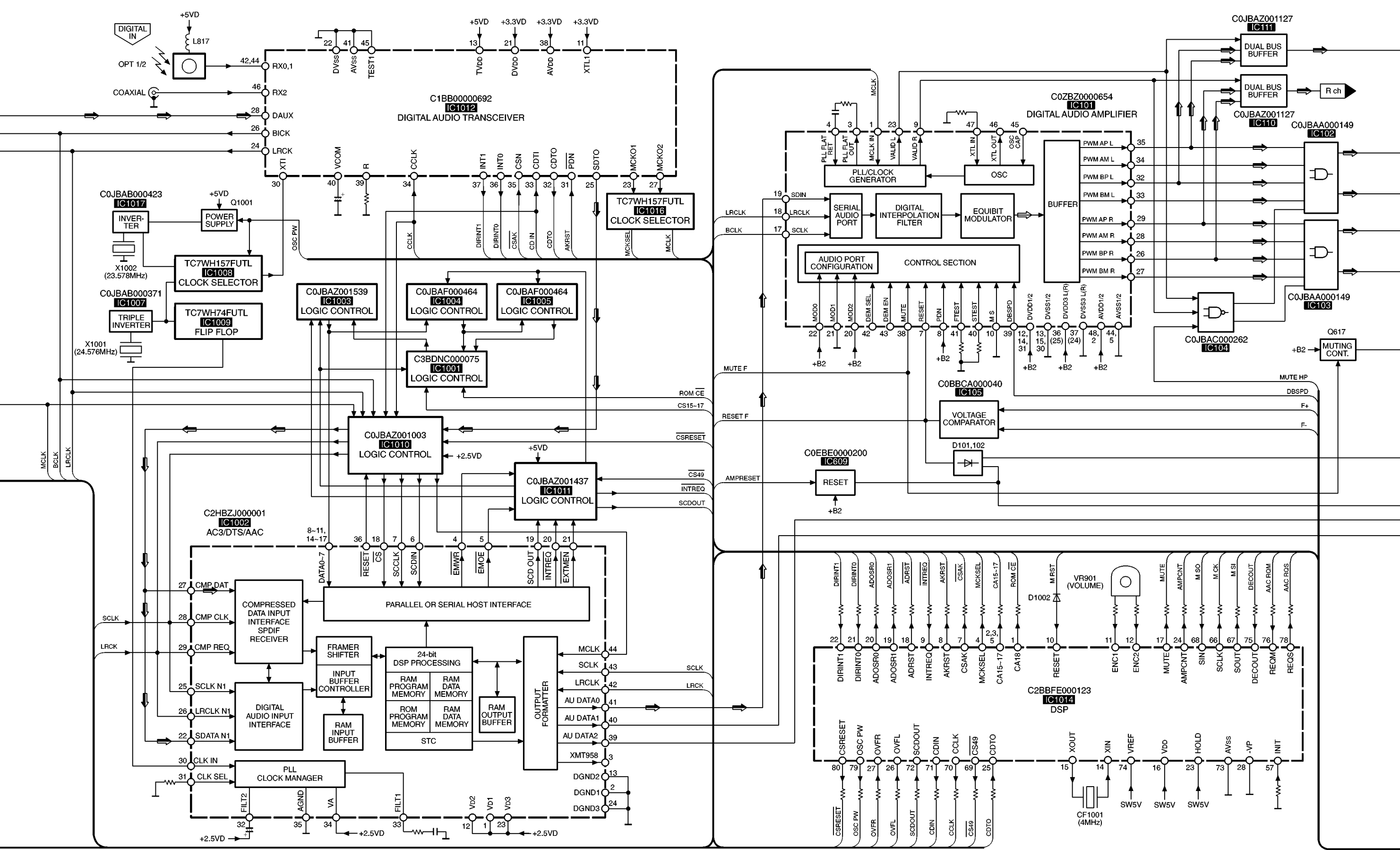
F POWER SUPPLY P.C.B.



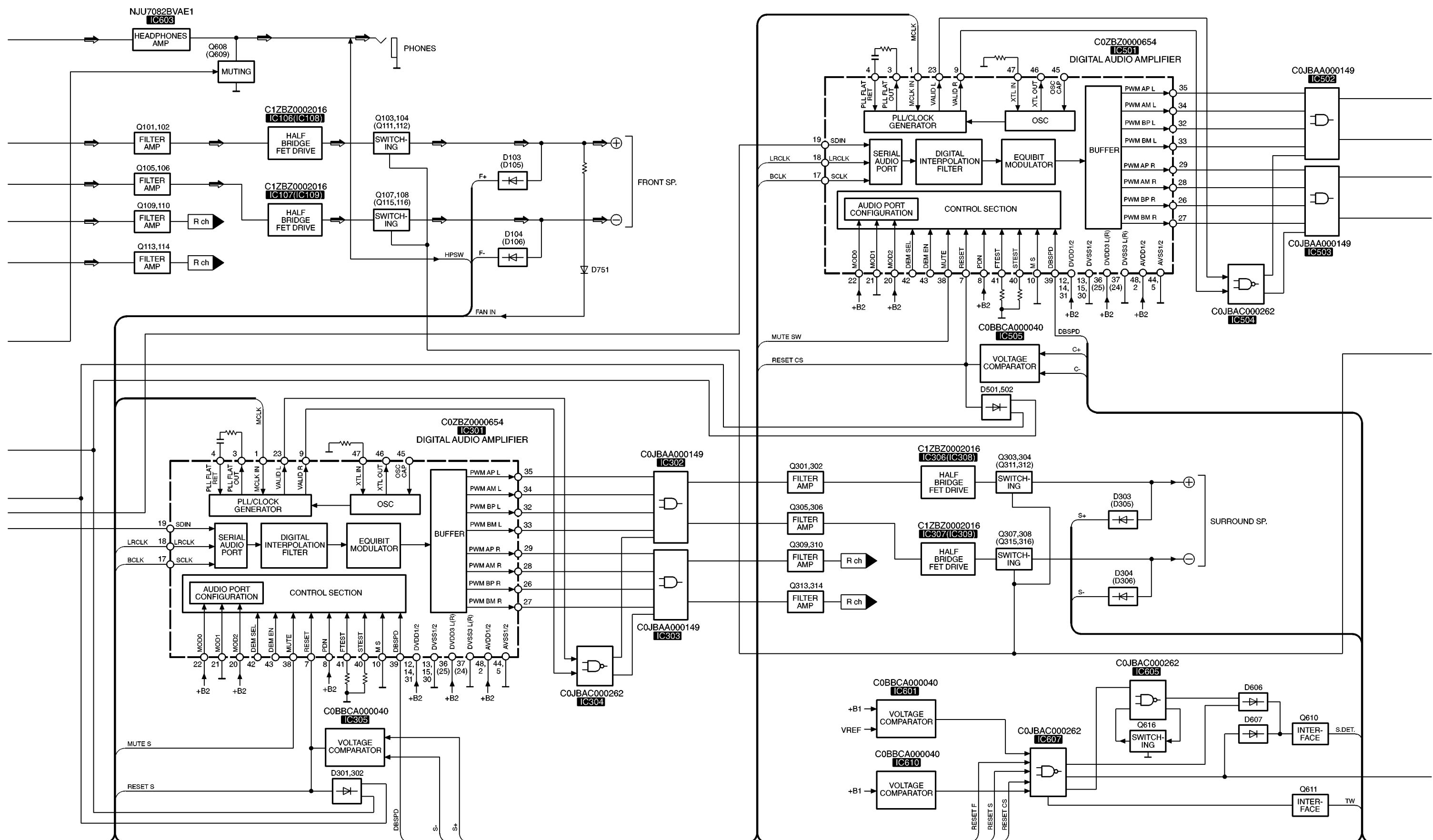
11 Block Diagram



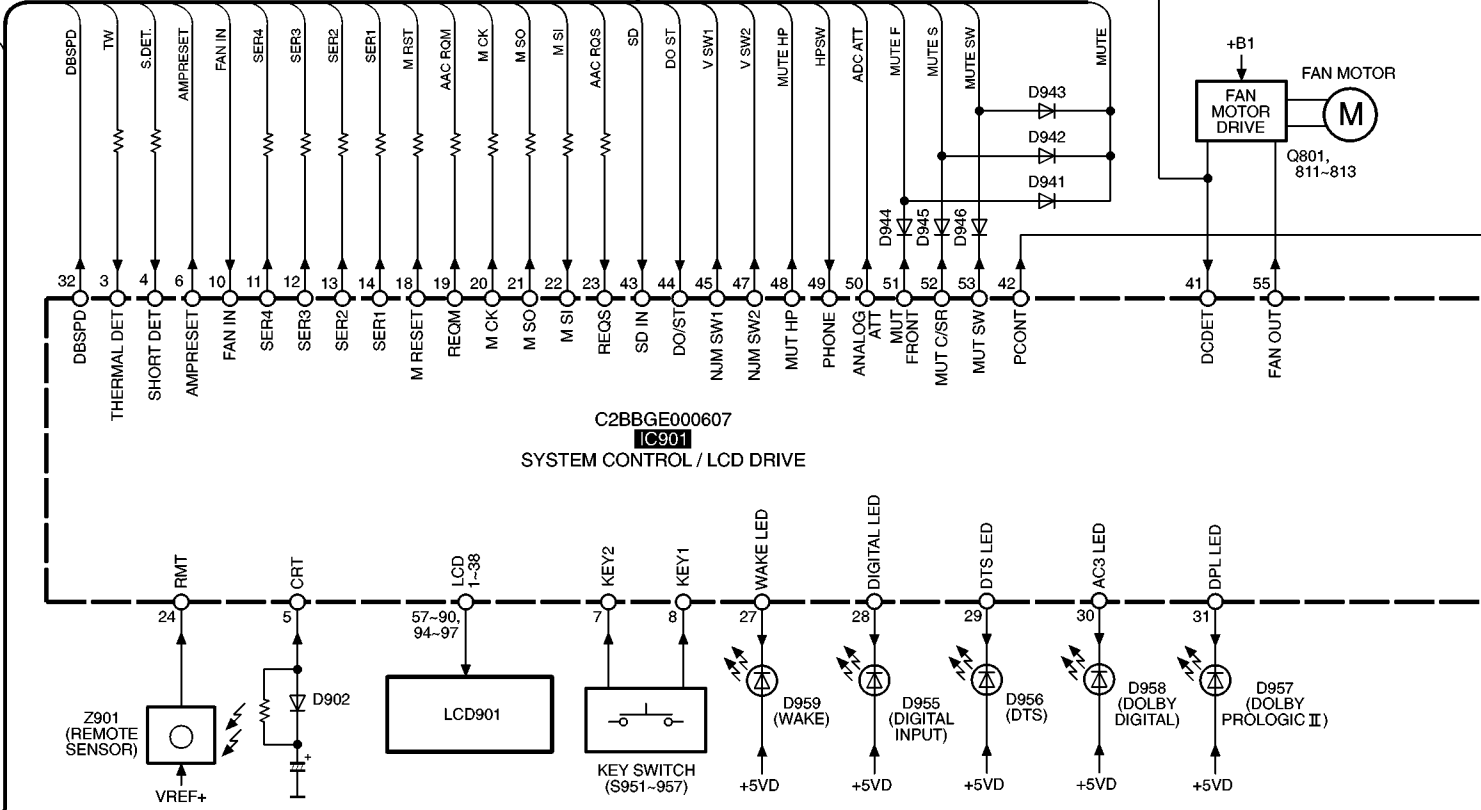
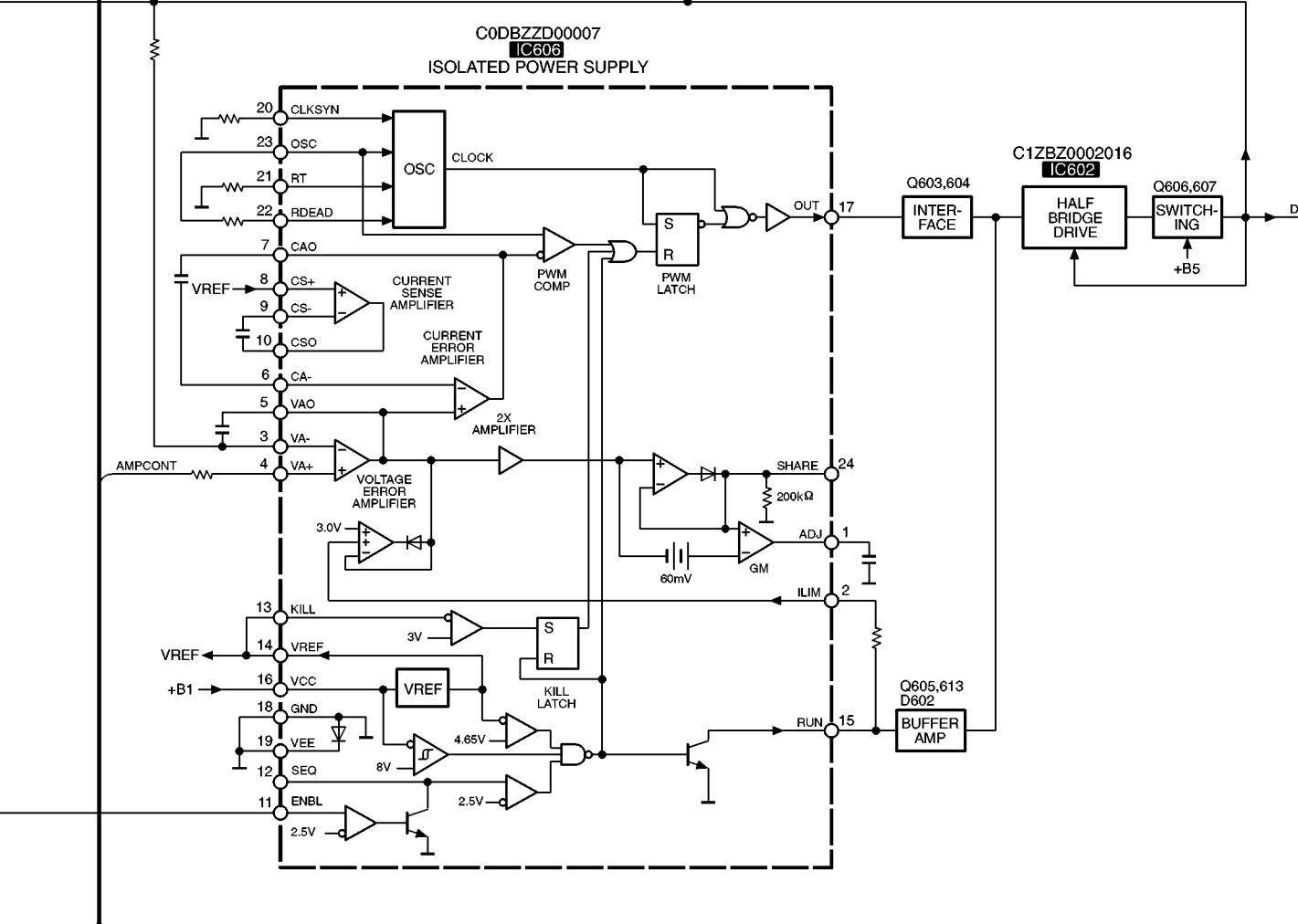
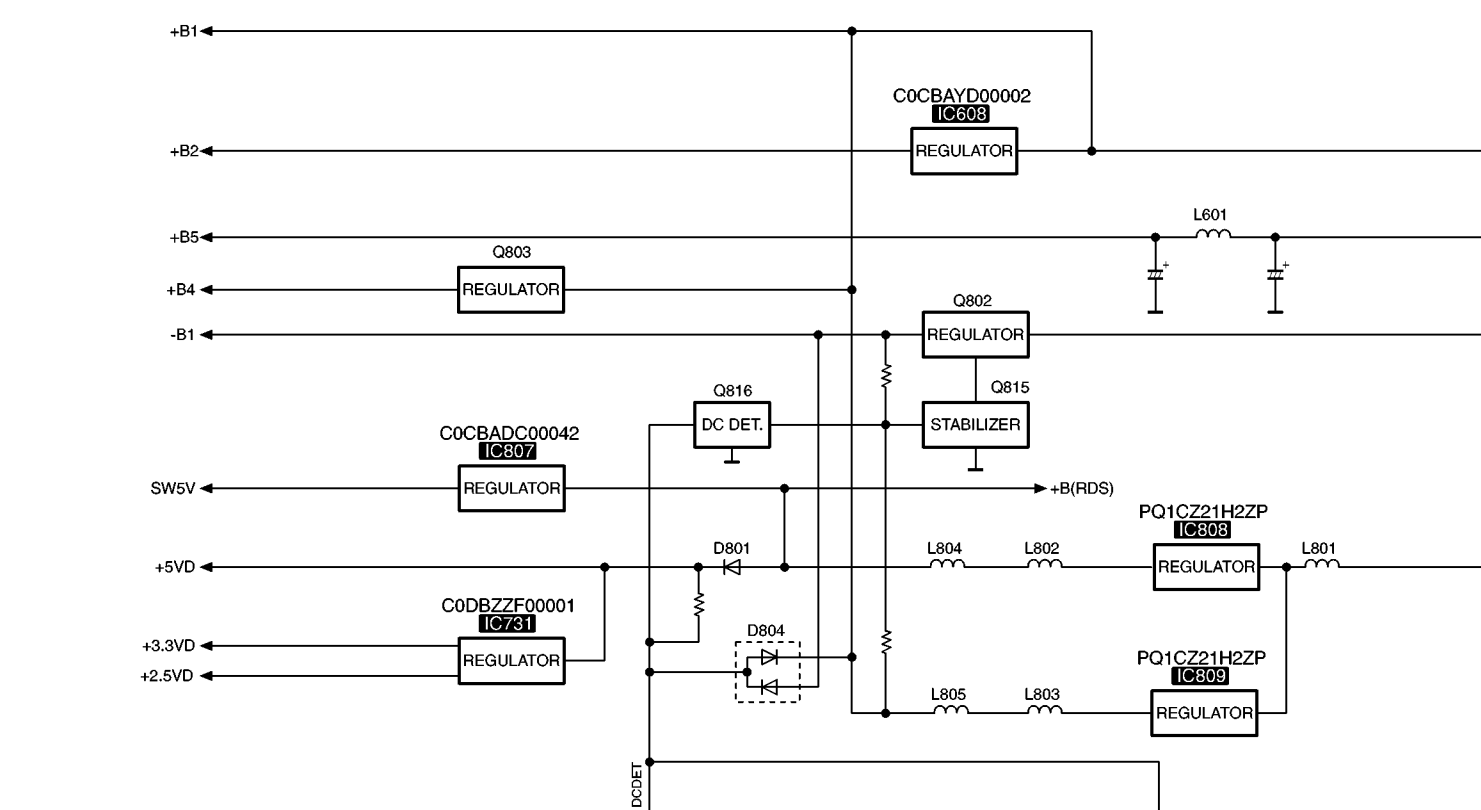
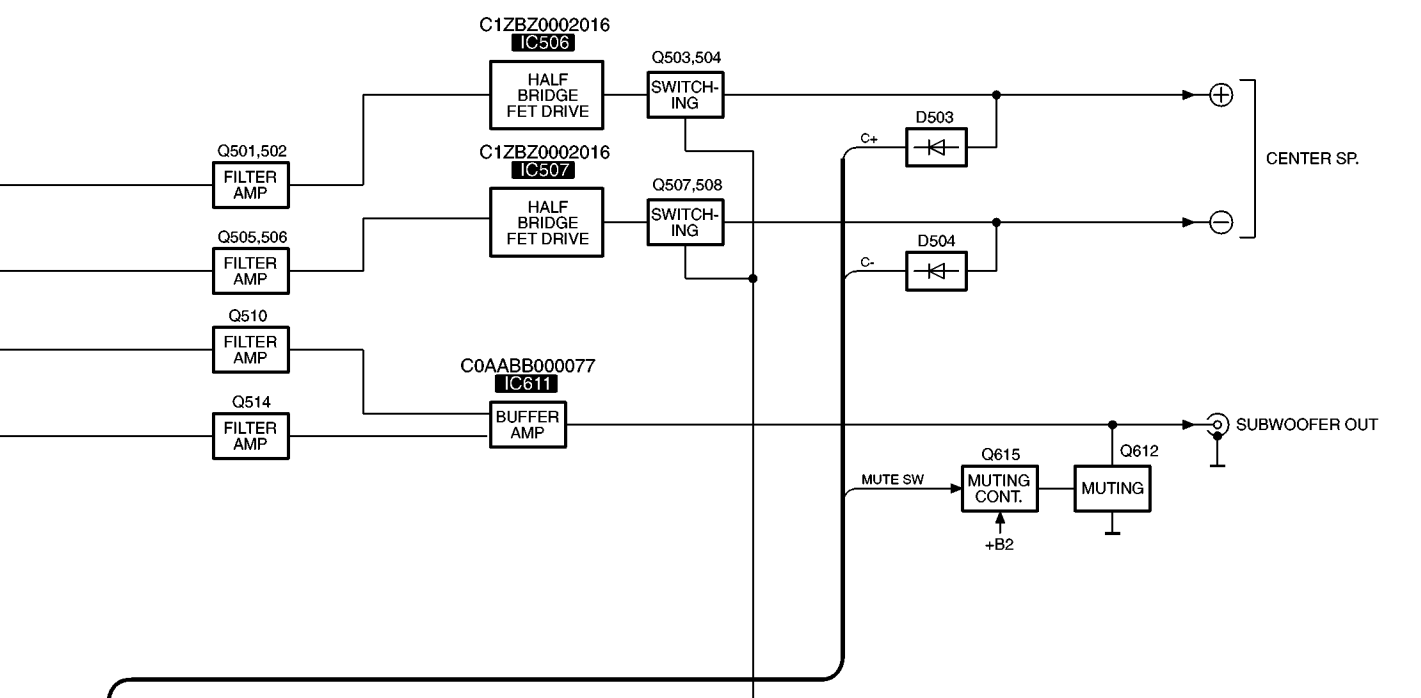
SA-XR10(E,EB,EG,GCS,GD,GN) BLOCK DIAGRAM



SA-XR10(E,EB,EG,GCS,GD,GN) BLOCK DIAGRAM

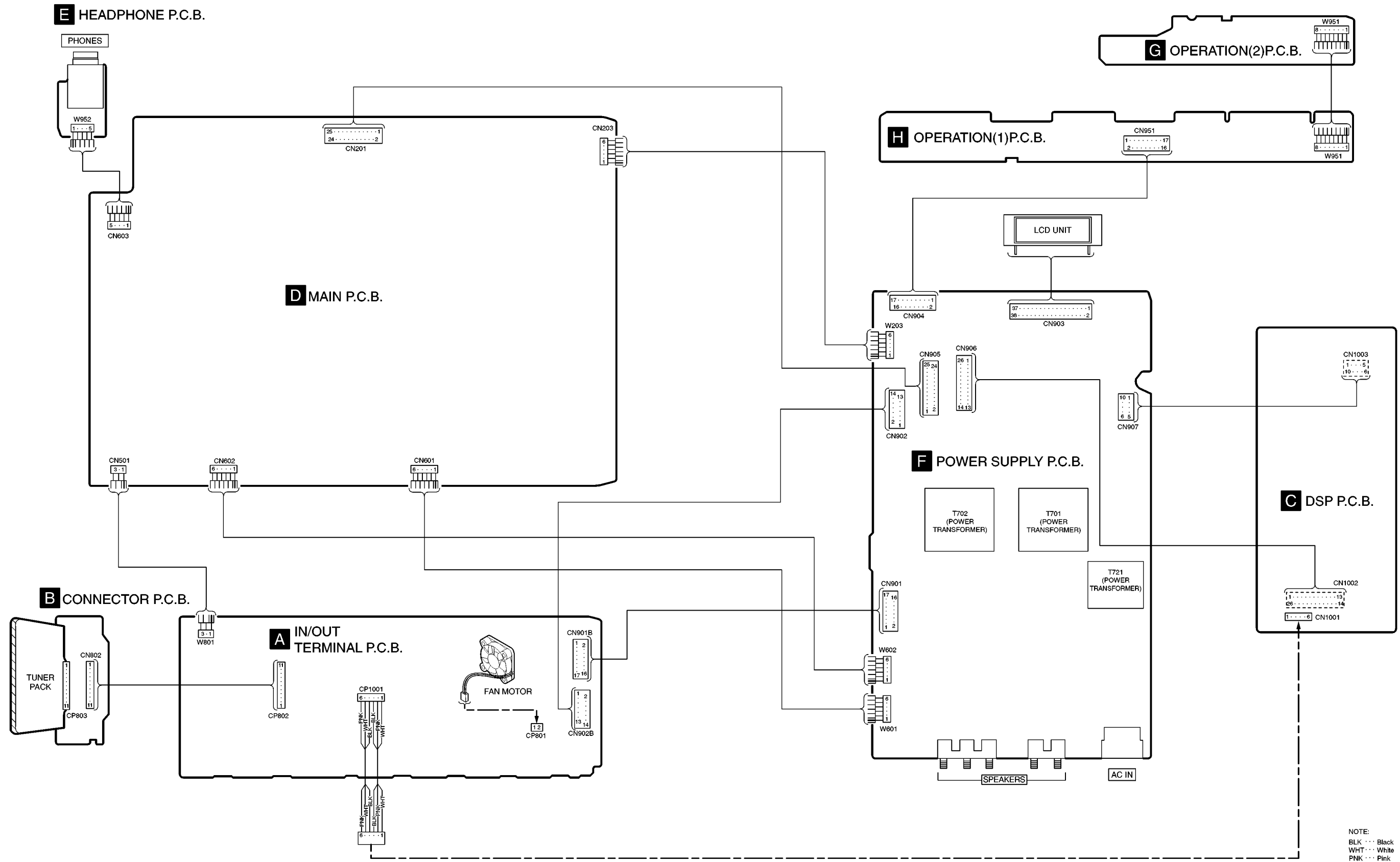


SA-XR10(E,EB,EG,GCS,GD,GN) BLOCK DIAGRAM



SA-XR10(E,EB,EG,GCS,GD,GN) BLOCK DIAGRAM

12 Wiring Connection Diagram



13 Terminal Function of ICs

13.1. IC901 (C2BBGE000607): System Control/FL Drive

Pin NO.	Terminal Name	I/O	Function
1	NC	-	Not used, open
2	VL1	I	LCD drive bias input
3	THERMAL_DET	I	Thermal detection signal input
4	SHORT_DET	I	Short circuit detection signal input
5	CRT	I	Power failure time detection signal input
6	AMPRESET	O	Power amp. reset signal output
7	KEY2	I	Operation key (2) signal input
8	KEY1	I	Operation key (1) signal input
9	REG1	I	Region 1 input
10	FAN IN	I	Speaker monitor signal input
11	SER4	O	Audio selection latch signal output
12	SER3	O	Tuner PLL chip enable signal output
13	SER2	O	Serial clock signal output
14	SER1	O	Serial data output
15	EDA	I/O	EEPROM data input/output
16	ECK	O	EEPROM clock signal output (Not used open)
17	ECS	O	EEPROM chip select signal output (Not used open)
18	M_RESET	O	DSP IC (IC1014) reset signal output
19	REQM	O	Request signal output to DSP IC (IC1014)
20	M_CK	O	Clock signal output to DSP IC (IC1014)
21	M_SO	O	Data output to DSP IC (IC1014)
22	M_SI	I	Data input from DSP IC (IC1014)
23	REQS	I	Request signal input from DSP IC (IC1014)
24	RMT	I	Remote control signal input
25	RDS_CLK	I	RDS clock signal input
26	RDS_DATA	I	RDS data signal input
27	AAC_LED	O	AAC LED control signal output
28	DIGITAL_LED	O	DIGITAL LED control signal output
29	DTS_LED	O	DTS LED control signal output
30	AC3_LED	O	AC3 LED control signal output
31	DPL_LED	O	DPL LED control signal output
32	DBSP	O	Power amp. Frequency (48/96Hz) setup terminal
33	NC	-	Not used, open
34	SYNC	I	Synchronized signal input for power failure detection
35	RESET	I	Rest signal input
36	XCIN	-	Not used, connected to GND
37	XCOUT	-	Not used, open
38	XIN	I	Oscillator connected terminal (f=8MHz)
39	XOUT	O	Oscillator connected terminal (f=8MHz)
40	VSS	-	GND terminal
41	DCDET	I	DC power detection signal input
42	PCNT	O	Power control signal output
43	SD	I	Tune detection signal input
44	DO/ST	I	Tuner DO/ST signal input
45	NJM_SW1	O	Video SW1 ON signal output
46	VR_UP_LED	O	Volum up LED control signal output
47	NJM_SW2	O	Video SW2 ON signal output
48	H.P_MUTE	O	Headphon muting signal control
49	PHONE	I	Headphon detection signal input

Pin NO.	Terminal Name	I/O	Function
50	ANALOG_ATT	O	Aalog ATT ON/OFF control signal output
51	MUTE_FRONT	O	Front speaker(L/R) muting signal control
52	MUTE_SR	O	Surround speaker(L/R) muting signal control
53	MUTE_SW	O	Sub woofer muting signal control
54	VR_DOWN_LED	O	Volum down LED control signal output
55	FAN_OUT	O	FAN control signal output
56	LIGHT	O	Back light control signal output
57-90	LCD38-LCD5	O	LCD segment signal output
91	VCC	-	Power supply terminal (+5V)
92	VREF	-	Reference power supply terminal (+5V)
93	AVSS	-	GND terminal
94-97	LCD4-LCD1	O	LCD common signal output
98, 99	VL3, VL2	I	LCD drive bias input
100	NC	-	Not used, open

14 Replacement Parts List

Notes:

* Important safety notice:

Components identified by Δ mark have special characteristics important for safety.

Furthermore, special parts which have purposes of fire-retardant (resistors), high-quality sound (capacitors), low-noise (resistors), etc. are used.

When replacing any of components, be sure to use only manufacture's specified parts shown in the parts list.

* The parenthesized indications in the Remarks columns specify the areas.

Parts without these indications can be used for all areas.

* Remote Control Ass'y: Supply period for three years from terminal of production.

* Capacity values are in microfarads (μ F) unless specified otherwise, P=Pico-farads(pF), F=Farads (F)

* Resistance values are in ohms, unless specified otherwise, 1K=1,000 (OHM), 1M=1,000K (OHM)

* "<IA>, <IB>, <IC>, <ID>, <IE>" marks in Remarks indicate languages of instruction manuals.

[<IA> : German/Italian/French/Netherlands/Swedish /Danish, <IB> : English, <IC> : Spanish/Russian/Polish /Czech, <ID> : Korean, <IE> : Chinese]

*The markings (RTL) indicate that the retention time is limited for these items. After the discontinuation of these assemblies in production, it will no longer be available.

*All parts are supplied by MESA.

Ref. No.	Part No.	Part Name & Description	Pcs	Remarks
1	RMC0465	TRANSISTOR HOLDER	6	
2	RMC0477	HEAT SINK HOLD SPRING	2	
3	RMG0588-H	HEAT SINK SHEET	2	
4	SHR411	RIVET	2	
5	XTB3+8JFZ	SCREW	2	
6	XTN26+4F	SCREW	2	
7	REX1102	CONNECTOR ASS'Y (6P)	1	
8	XYN3+F14	SCREW	1	
9	RAN0002EM-1	TUNER PACK	1	
10	REE1147	FFC (14P)	1	
11	REE1148	FFC (17P)	1	
12	REE1149	FFC (25P)	1	
13	REM0104	FAN UNIT (RAL801)	1	
14	RHD30070	SCREW	1	
15	RKA0132-K	FOOT	4	
16	RKF0636-K	FAN COVER	1	
17	L5AABHB00002	LCD (LCD901)	1	
18	REE1150	FFC (17P)	1	
19	RKM0458-S	TOP CABINET	1	
20	RMG0591-K	RUBBER SHEET	1	
22	RGH0164-W	VOL. SHEET	1	
23	RGK1477A-S	FRONT ORNAMENT	1	(E, EB, EG)
23	RGK1477B-S	FRONT ORNAMENT	1	(GCS, GD, GN)
24	RGL0577-Q	LIGHTING PIECE (24A, 24B)	1	
25	RGL0582-Q	LCD LIGHTING GUIDE	1	
26	RGL0584-Q	VOL. LIGHTING PIECE	1	
27	RGF0900-S	FRONT PANEL	1	
28	RGU2068-S	BUTTON (28A, 28B, 28C)	1	
29	RGW0387-S	VOL. KNOB	1	
30	RHN90001	NUT	1	
31	RKW0652-S	REMOCON WINDOW	1	

Ref. No.	Part No.	Part Name & Description	Pcs	Remarks
32	RKW0671-Q	VOL. WINDOW	1	
33	RKW0679-Q	LCD WINDOW	1	
34	XYB3+F8	SCREW	5	
35	RMR1436-Q	LCD SHEET	1	
36	XNSS12	NUT	1	
37	XTBS26+8J	SCREW	5	
38	XTB3+12JFZ	SCREW	6	
39	XTB3+6G	SCREW	4	
40	XTB3+6J	SCREW	4	
41	XTB3+8JFZ	SCREW	2	
42	XTBS3+8JFZ1	SCREW	22	
43	XWE10E16	WASHER	1	
44	RGK1478-S	SIDE ORNAMENT (L)	1	
45	RGK1479-S	SIDE ORNAMENT (R)	1	
46	RGF0901-S	SIDE PANEL (L)	1	
47	RGF0902-S	SIDE PANEL (R)	1	
48	XTW3+8T	SCREW	6	
49	RMQ1110	SPACER (A)	1	
50	RMQ1118	SPACER (B)	2	
52	RMN0694	LCD CAP	1	
53	RXQ0868	LCD HOLDER UNIT	1	
54	SHR401-1	RIVET	1	
A1	RSA0007	FM INDOOR ANTENNA	1	N1EAYY000002
A2	SJP9009	ANTENNA PLUG ADAPTOR	1	K1YZ02000013 (EB)
A3	N2QAJB000045	REMOTE CONTROLER	1	
A3-1	HTR028352001	BATTERY COVER	1	
A4	RFE0088-1	CLEANING CLOTH	1	
A5	RJA0019-2X	POWER SUPPLY CORD	1	(E, EG, GCS) Δ
A5	RJA0035-2X	POWER SUPPLY CORD	1	(GN) Δ
A5	RJA0053-3X	POWER SUPPLY CORD	1	(EB) Δ
A5	RJA0078-1X	POWER SUPPLY CORD	1	(GD) Δ
A6	RQT6502-D	INSTRUCTION MANUAL	1	(EG) <IA>
A6	RQT6503-B	INSTRUCTION MANUAL	1	(E, EB, GCS, GN) <IB>
A6	RQT6504-R	INSTRUCTION MANUAL	1	(E) <IC>
A6	RQT6506-Z	INSTRUCTION MANUAL	1	(GD) <ID>
A6	RQT6507-K	INSTRUCTION MANUAL	1	(GCS) <IE>
A7	RSA0033C	AM LOOP ANTENNA	1	
A8	RQCB0169	SERVICE CENTER LIST	1	
C101	ECEV1CA220SR	16V 22U	1	
C102	ECJ1VB1C104K	16V 0.1U	1	
C103	ECUVNC473KBV	16V 0.047U	1	FL1HC473A071
C104	ECJ1VB1H472K	50V 4700P	1	
C105-08	ECJ1VB1C104K	16V 0.1U	4	
C109	ECEV1CA220SR	16V 22U	1	
C110-12	ECJ1VB1C104K	16V 0.1U	3	
C113	ECUVNH103KBV	50V 0.01U	1	FL1H103A748
C114-17	ECUV1H220KCV	50V 22P	4	
C141	ECJ1VB1C104K	16V 0.1U	1	
C142	ECEV1CA220SR	16V 22U	1	
C143, 44	ECJ1VB1C104K	16V 0.1U	2	
C145, 46	ECUV1H220KCV	50V 22P	2	
C147, 48	ECJ1VB1C104K	16V 0.1U	2	
C149	ECEV1CA220SR	16V 22U	1	
C150, 51	ECJ1VB1C104K	16V 0.1U	2	
C152, 53	ECUV1H220KCV	50V 22P	2	
C154, 55	ECJ1VB1C104K	16V 0.1U	2	
C156	FLJ2E103A005	250V 0.01U	1	
C157	ECUV1H221JCV	50V 220P	1	ECJ1VC1H221J
C158	ECQE1105KF	100V 1U	1	
C159	FLJ1H104A679	50V 0.1U	1	
C160	FLJ2E223A005	250V 0.022U	1	
C161	EEUPF1H102E	50V 1000U	1	
C162	FLJ1H104A679	50V 0.1U	1	
C163	FLJ2E223A005	250V 0.022U	1	
C164	FLJ2E103A005	250V 0.01U	1	
C165	ECUV1H221JCV	50V 220P	1	ECJ1VC1H221J
C166	ECQE1105KF	100V 1U	1	
C167	FLJ1H104A679	50V 0.1U	1	
C168	FLJ2E223A005	250V 0.022U	1	

Ref. No.	Part No.	Part Name & Description	Pcs	Remarks
C169	ECJ1VB1C104K	16V 0.1U	1	
C170	ECEV1CA220SR	16V 22U	1	
C171,72	ECJ1VB1C104K	16V 0.1U	2	
C173,74	ECUV1H220KCV	50V 22P	2	
C175,76	ECJ1VB1C104K	16V 0.1U	2	
C177	ECEV1CA220SR	16V 22U	1	
C178,79	ECJ1VB1C104K	16V 0.1U	2	
C180,81	ECUV1H220KCV	50V 22P	2	
C182,83	ECJ1VB1C104K	16V 0.1U	2	
C184	F1J2E103A005	250V 0.01U	1	
C185	ECUV1H221JCV	50V 220P	1	ECJ1VC1H221J
C186	ECQE1105KF	100V 1U	1	
C187	F1J1H104A679	50V 0.1U	1	
C188	F1J2E223A005	250V 0.022U	1	
C189	EEUPF1H102E	50V 1000U	1	
C190	F1J1H104A679	50V 0.1U	1	
C191	F1J2E223A005	250V 0.022U	1	
C192	F1J2E103A005	250V 0.01U	1	
C193	ECUV1H221JCV	50V 220P	1	ECJ1VC1H221J
C194	ECQE1105KF	100V 1U	1	
C195	F1J1H104A679	50V 0.1U	1	
C196	F1J2E223A005	250V 0.022U	1	
C197	ECJ1VB1C104K	16V 0.1U	1	
C301	ECEV1CA220SR	16V 22U	1	
C302	ECJ1VB1C104K	16V 0.1U	1	
C303	ECUVNC473KBV	16V 0.047U	1	F1H1C473A071
C304	ECJ1VB1H472K	50V 4700P	1	
C305-08	ECJ1VB1C104K	16V 0.1U	4	
C309	ECEV1CA220SR	16V 22U	1	
C310-12	ECJ1VB1C104K	16V 0.1U	3	
C313	ECUVNH103KBV	50V 0.01U	1	F1H1H103A748
C314-17	ECUV1H220KCV	50V 22P	4	
C341	ECJ1VB1C104K	16V 0.1U	1	
C342	ECEV1CA220SR	16V 22U	1	
C343,44	ECJ1VB1C104K	16V 0.1U	2	
C345,46	ECUV1H220KCV	50V 22P	2	
C347,48	ECJ1VB1C104K	16V 0.1U	2	
C349	ECEV1CA220SR	16V 22U	1	
C350,51	ECJ1VB1C104K	16V 0.1U	2	
C352,53	ECUV1H220KCV	50V 22P	2	
C354,55	ECJ1VB1C104K	16V 0.1U	2	
C356	F1J2E103A005	250V 0.01U	1	
C357	ECUV1H221JCV	50V 220P	1	ECJ1VC1H221J
C358	ECQE1105KF	100V 1U	1	
C359	F1J1H104A679	50V 0.1U	1	
C360	F1J2E223A005	250V 0.022U	1	
C361	EEUPF1H102E	50V 1000U	1	
C362	F1J1H104A679	50V 0.1U	1	
C363	F1J2E223A005	250V 0.022U	1	
C364	F1J2E103A005	250V 0.01U	1	
C365	ECUV1H221JCV	50V 220P	1	ECJ1VC1H221J
C366	ECQE1105KF	100V 1U	1	
C367	F1J1H104A679	50V 0.1U	1	
C368	F1J2E223A005	250V 0.022U	1	
C369	ECJ1VB1C104K	16V 0.1U	1	
C370	ECEV1CA220SR	16V 22U	1	
C371,72	ECJ1VB1C104K	16V 0.1U	2	
C373,74	ECUV1H220KCV	50V 22P	2	
C375,76	ECJ1VB1C104K	16V 0.1U	2	
C377	ECEV1CA220SR	16V 22U	1	
C378,79	ECJ1VB1C104K	16V 0.1U	2	
C380,81	ECUV1H220KCV	50V 22P	2	
C382,83	ECJ1VB1C104K	16V 0.1U	2	
C384	F1J2E103A005	250V 0.01U	1	
C385	ECUV1H221JCV	50V 220P	1	ECJ1VC1H221J
C386	ECQE1105KF	100V 1U	1	
C387	F1J1H104A679	50V 0.1U	1	
C388	F1J2E223A005	250V 0.022U	1	
C389	EEUPF1H102E	50V 1000U	1	
C390	F1J1H104A679	50V 0.1U	1	
C391	F1J2E223A005	250V 0.022U	1	
C392	F1J2E103A005	250V 0.01U	1	
C393	ECUV1H221JCV	50V 220P	1	ECJ1VC1H221J

Ref. No.	Part No.	Part Name & Description	Pcs	Remarks
C394	ECQE1105KF	100V 1U	1	
C395	F1J1H104A679	50V 0.1U	1	
C396	F1J2E223A005	250V 0.022U	1	
C401	ECUV1H681JCV	50V 680P	1	ECJ1VC1H681J
C402	ECUV1H331JCV	50V 330P	1	F1H1H331A004
C403	ECUV1H681JCV	50V 680P	1	ECJ1VC1H681J
C404	ECUV1H331JCV	50V 330P	1	F1H1H331A004
C405	ECJ1VB1C104K	16V 0.1U	1	
C411,12	ECUV1H681JCV	50V 680P	2	ECJ1VC1H681J
C441	ECUVNH103KBV	50V 0.01U	1	F1H1H103A748
C501	ECEV1CA220SR	16V 22U	1	
C502	ECJ1VB1C104K	16V 0.1U	1	
C503	ECUVNC473KBV	16V 0.047U	1	F1H1C473A071
C504	ECJ1VB1H472K	50V 4700P	1	
C505-08	ECJ1VB1C104K	16V 0.1U	4	
C509	ECEV1CA220SR	16V 22U	1	
C510-12	ECJ1VB1C104K	16V 0.1U	3	
C513	ECUVNH103KBV	50V 0.01U	1	F1H1H103A748
C514,15	ECUV1H220KCV	50V 22P	2	
C541	ECJ1VB1C104K	16V 0.1U	1	
C542	ECEV1CA220SR	16V 22U	1	
C543,44	ECJ1VB1C104K	16V 0.1U	2	
C545,46	ECUV1H220KCV	50V 22P	2	
C547,48	ECJ1VB1C104K	16V 0.1U	2	
C549	ECEV1CA220SR	16V 22U	1	
C550,51	ECJ1VB1C104K	16V 0.1U	2	
C552,53	ECUV1H220KCV	50V 22P	2	
C554,55	ECJ1VB1C104K	16V 0.1U	2	
C556	F1J2E103A005	250V 0.01U	1	
C557	ECUV1H221JCV	50V 220P	1	ECJ1VC1H221J
C558	ECQE1105KF	100V 1U	1	
C559	F1J1H104A679	50V 0.1U	1	
C560	F1J2E223A005	250V 0.022U	1	
C561	EEUPF1H102E	50V 1000U	1	
C562	F1J1H104A679	50V 0.1U	1	
C563	F1J2E223A005	250V 0.022U	1	
C564	F1J2E103A005	250V 0.01U	1	
C565	ECUV1H221JCV	50V 220P	1	ECJ1VC1H221J
C566	ECQE1105KF	100V 1U	1	
C567	F1J1H104A679	50V 0.1U	1	
C568	F1J2E223A005	250V 0.022U	1	
C569	F1H1H104A783	50V 0.1U	1	
C570	ECEV1HA2R2SR	50V 2.2U	1	
C571	F1H1H104A783	50V 0.1U	1	
C572	ECJ1VB1C104K	16V 0.1U	1	
C574	ECUV1H220KCV	50V 22P	1	
C577	ECEV1HA2R2SR	50V 2.2U	1	
C578	F1H1H104A783	50V 0.1U	1	
C579	ECJ1VB1C104K	16V 0.1U	1	
C581	ECUV1H220KCV	50V 22P	1	
C601	F1K2A1040003	100V 0.1U	1	
C602	F1J2E103A005	250V 0.01U	1	
C603	F1K2A1040003	100V 0.1U	1	
C604	F1J2E103A005	250V 0.01U	1	
C605	EEUPF1J821SE	63V 820U	1	
C606	F1K2A1040003	100V 0.1U	1	
C607	F1J2A103A016	100V 0.01U	1	
C608	EEUPF1J821SE	63V 820U	1	
C610-12	EEUPF1J821SE	63V 820U	3	
C613	ECUVNH103KBV	50V 0.01U	1	F1H1H103A748
C614-16	ECJ1VB1C104K	16V 0.1U	3	
C617,18	ECUV1H220KCV	50V 22P	2	
C619,20	ECUV1H560GCV	50V 56P	2	F1H1H560A002
C621	F1J1H104A679	50V 0.1U	1	
C622	ECJ1VB1C104K	16V 0.1U	1	
C624	F1L2E224A008	250V 0.22U	1	
C625	EEUPF1H102E	50V 1000U	1	
C626	F1J1H104A679	50V 0.1U	1	
C627	F1J2A103A016	100V 0.01U	1	
C628	F1L2E224A008	250V 0.22U	1	
C629,30	ECUVNH103KBV	50V 0.01U	2	F1H1H103A748
C631,32	ECEV0GA221SP	4V 220U	2	
C633	ECJ1VB1C104K	16V 0.1U	1	

Ref. No.	Part No.	Part Name & Description	Pcs	Remarks
C635	ECUV1H331JCV	50V 330P	1	F1H1H331A004
C636	ECUV1H681JCV	50V 680P	1	ECJ1VC1H681J
C638	ECJ1VB1C104K	16V 0.1U	1	
C639	ECUV1H331JCV	50V 330P	1	F1H1H331A004
C640	ECUV1H681JCV	50V 680P	1	ECJ1VC1H681J
C641	ECUV1H221JCV	50V 220P	1	ECJ1VC1H221J
C643-45	ECJ1VB1C104K	16V 0.1U	3	
C646	ECUVNH102JCV	50V 1000P	1	F1H1H102A737
C647	ECUV1H220KCV	50V 22P	1	
C648	ECUVNH102JCV	50V 1000P	1	F1H1H102A737
C649	ECUV1H220KCV	50V 22P	1	
C650	ECJ1VB1H472K	50V 4700P	1	
C651	ECUV1H221JCV	50V 220P	1	ECJ1VC1H221J
C652	ECJ1VB1C104K	16V 0.1U	1	
C653, 54	ECEV1CA100SR	16V 10U	2	
C655	ECUV1H101KCV	50V 100P	1	F1H1H101A720
C656	ECUV1H221JCV	50V 220P	1	ECJ1VC1H221J
C658	ECUVNA224KBV	10V 0.22U	1	F1H1A224A028
C659-63	ECUV1H220KCV	50V 22P	5	
C665-68	ECUV1H101JCV	50V 100P	4	F1H1H101A004
C670	ECUV1H101JCV	50V 100P	1	F1H1H101A004
C671	ECJ1VB1C104K	16V 0.1U	1	
C672	ECUVNH103KBV	50V 0.01U	1	F1H1H103A748
C673-77	ECUV1H101JCV	50V 100P	5	F1H1H101A004
C679	ECUVNH103KBV	50V 0.01U	1	F1H1H103A748
C680	ECEV1CA470SP	16V 47U	1	
C681	ECJ1VB1C104K	16V 0.1U	1	
C682	ECEV1CA470SP	16V 47U	1	
C683, 84	ECJ1VB1C104K	16V 0.1U	2	
C685	ECUVNH103KBV	50V 0.01U	1	F1H1H103A748
C688, 89	ECUV1H681JCV	50V 680P	2	ECJ1VC1H681J
C690	ECEV1EA4R7SR	25V 4.7U	1	
C691	ECUVNH103KBV	50V 0.01U	1	F1H1H103A748
C694	ECUVNH103KBV	50V 0.01U	1	F1H1H103A748
C695	ECEV1CA470SP	16V 47U	1	
C696	ECUVNA105KBN	10V 1U	1	F1J1A105A003
C697	ECJ1VB1C104K	16V 0.1U	1	
C698	ECUVNH103KBV	50V 0.01U	1	F1H1H103A748
C699	ECUVNA105KBN	10V 1U	1	F1J1A105A003
C701-03	ECQU2A224MLC	0.22U	3	△
C704	VCK0286B471	470P	1	F1BAF471A013 △
C706	ECBT1H471KB3	50V 470P	1	
C707	F2B2G1810014	400V 180U	1	
C708	ECKR2H103ZU	100V 0.01U	1	
C709	ECKE3D821KBP	2KV 820P	1	
C710	ECA1EAK470XB	25V 47U	1	
C711	ECBT1H221KB3	50V 220P	1	
C712, 13	ECKR2H103ZU	100V 0.01U	2	
C714, 15	EEUPF1J102UE	63V 1000U	2	
C716	EEUPF1V102E	35V 1000U	1	
C717	EEUPF1E471LE	25V 470U	1	
C718	ECBT1H103KB5	50V 1000P	1	
C719	VCK0286E102	0.001U	1	F1BAF1020011 △
C720	ECBT1H102KB3	16V 1000P	1	
C721	ECKWRS102MBC	1000P	1	△
C722	RCE1HKA4R7BG	50V 4.7U	1	F2A1H4R70009
C723	ECBT1H103KB5	50V 0.01U	1	
C724	ECA1CAM102X	16V 1000U	1	
C725, 26	ECBT1H103KB5	50V 0.01U	2	
C727, 28	ECA1HAK010XI	50V 1U	2	
C730	VCK0286B471	470P	1	F1BAF471A013 △
C731-33	ECEALAKS220B	10V 22U	3	
C741, 42	ECKR2H103ZU	100V 0.01U	2	
C743, 44	ECBT1H103KB5	50V 0.01U	2	
C751, 52	ECJ2VF1H104Z	50V 0.1U	2	
C753	ECA1HAK2R2XB	50V 2.2U	1	
C763-72	ECBT1H102KB3	16V 1000P	10	
C801	ECA1VAM101XB	35V 100U	1	
C802	EEUFC0J821B	6.3V 820U	1	
C803	ECA1VAM101XB	35V 100U	1	
C804	EEUFC1E271B	25V 270U	1	

Ref. No.	Part No.	Part Name & Description	Pcs	Remarks
C805-07	ECA1EAM101XB	25V 100U	3	
C811-13	RCE1CKA470BG	16V 47U	3	F2A1C470A017
C814	ECA0JAK101XB	6.3V 100U	1	
C819-23	ECA1EAK100XB	25V 10U	5	
C826-28	ECA0JAK101XB	6.3V 100U	3	
C829	RCE1CKA470BG	16V 47U	1	F2A1C470A017
C830, 31	ECA1VM221	35V 220U	2	
C832	ECA1CAK330XB	16V 33U	1	
C833	ECA1EAM101XB	25V 100U	1	
C834	RCE1HKA4R7BG	50V 4.7U	1	F2A1H4R70009
C835	ECUVN104ZFB	16V 0.1U	1	F1H1C104A072
C836	ECUV1H101JCV	50V 100P	1	F1H1H101A004
C837	ECA1HAK010XI	50V 1U	1	
C838	ECUV1H470JCV	50V 47P	1	F1H1H470A736
C839	ECUVNH103KBV	50V 0.01U	1	F1H1H103A748
C840	ECJ1VF1C474Z	16V 0.47U	1	
C841	ECUV1H470JCV	50V 47P	1	F1H1H470A736
C842	ECUV1H331KBV	50V 330P	1	ECJ1VB1H331K
C843-60	ECUV1H101JCV	50V 100P	18	F1H1H101A004
C861, 62	ECUV1H331KBV	50V 330P	2	ECJ1VB1H331K
C863, 64	ECUV1H101JCV	50V 100P	2	F1H1H101A004
C865, 66	ECUV1H331KBV	50V 330P	2	ECJ1VB1H331K
C868	ECUVN104ZFB	16V 0.1U	1	F1H1C104A072
C870-74	ECUVN104ZFB	16V 0.1U	5	F1H1C104A072
C875-78	ECUV1H101JCV	50V 100P	4	F1H1H101A004
C879-82	ECUVN104ZFB	16V 0.1U	4	F1H1C104A072
C883, 84	ECUV1H391KBV	50V 390P	2	ECJ1VB1H391K
C885	ECUVN104ZFB	16V 0.1U	1	F1H1C104A072
C886, 87	ECUV1H151KBV	50V 150P	2	F1H1H151A013
C888, 89	ECUVN104ZFB	16V 0.1U	2	F1H1C104A072
C890	ECUVNH103KBV	50V 0.01U	1	F1H1H103A748
C894-96	ECUVNH103KBV	50V 0.01U	3	F1H1H103A748
C897	ECUV1H101JCV	50V 100P	1	F1H1H101A004
C898, 99	ECJ1VF1C474Z	16V 0.47U	2	
C901	ECA0JAK101XB	6.3V 100U	1	
C902	ECBT1H104KB5	50V 0.1U	1	F1D1H1040002
C903	ECA0JAM102XB	6.3V 1000U	1	
C904	ECBT1H102KB3	16V 1000P	1	
C905	ECBT1H103KB5	50V 0.01U	1	
C906	ECEALAKS220B	10V 22U	1	
C907, 08	ECBT1H561KB3	50V 560P	2	
C909	ECEALCKS100	16V 10U	1	
C910, 11	ECBT1H103KB5	50V 0.01U	2	
C912	ECA1HAK2R2XB	50V 2.2U	1	
C913	ECBT1H103KB5	50V 0.01U	1	
C914	ECBT1H102KB3	16V 1000P	1	
C941	ECA1HAK010XI	50V 1U	1	
C951	ECBT1H103KB5	50V 0.01U	1	
C952, 53	ECBT1H473KB5	50V 0.047U	2	F1D1H473A012
C981	ECJ1VB1H102K	50V 1000P	1	(E, EB, EG)
C982, 83	ECUV1H470JCV	50V 47P	2	F1H1H470A736 (E, EB, EG)
C984	ECUV1H331KBV	50V 330P	1	ECJ1VB1H331K (E, EB, EG)
C985	ECUVNH103KBV	50V 0.01U	1	F1H1H103A748 (E, EB, EG)
C986	ECJ1VB1H561K	50V 560P	1	(E, EB, EG)
C987	ECJ1VB1H102K	50V 1000P	1	(E, EB, EG)
C988, 89	RCE1CKA470BG	16V 47U	2	F2A1C470A017 (E, EB, EG)
C990	ECA1EAK100XB	25V 10U	1	(E, EB, EG)
C1001	ECUV1H221KBV	50V 220P	1	F1H1H2210001
C1002	ECJ1VB1H102K	50V 1000P	1	
C1003	ECJ1VB1C104K	16V 0.1U	1	
C1004	ECEV0JA101SP	6.3V 100U	1	
C1005	ECJ1VB1C104K	16V 0.1U	1	
C1006-08	ECEV0JA101SP	6.3V 100U	3	
C1009	ECJ1VB1H102K	50V 1000P	1	
C1010-14	ECJ1VB1C104K	16V 0.1U	5	
C1015	ECJ1VB1H102K	50V 1000P	1	
C1016	ECJ1VB1C104K	16V 0.1U	1	
C1017	ECEV1HA2R2SR	50V 2.2U	1	

Ref. No.	Part No.	Part Name & Description	Pcs	Remarks
C1018	ECUV1H471KBV	50V 470P	1	FIH1H471A013
C1019	ECUVNH103KBV	50V 0.01U	1	FIH1H103A748
C1020,2	ECEV0JA101SP	6.3V 100U	2	
C1022	ECJ1VB1C104K	16V 0.1U	1	
C1023	ECUV1H330GCV	50V 33P	1	ECJ1VC1H330K
C1024,2	ECJ1VB1C104K	16V 0.1U	2	
C1026	ECJ1VC1H120J	50V 12P	1	
C1027	ECEV0JA470SR	6.3V 47U	1	
C1028	ECJ1VC1H120J	50V 12P	1	
C1029,3	ECUV1H101JCV	50V 100P	2	FIH1H101A004
C1031,3	ECJ1VB1H102K	50V 1000P	2	
C1033	ECUV1H220KCV	50V 22P	1	
C1034,3	ECJ1VB1C104K	16V 0.1U	2	
C1036-39	ECUV1H101JCV	50V 100P	4	FIH1H101A004
C1040	ECJ1VB1H102K	50V 1000P	1	
C1041-43	ECJ1VB1C104K	16V 0.1U	3	
C1044	FIH1A474A028	10V 0.47U	1	
C1045	ECEV1CA100SR	16V 10U	1	
C1046	ECJ1VB1C104K	16V 0.1U	1	
C1047	ECUV1H101JCV	50V 100P	1	FIH1H101A004
C1048,4	ECEV1CA100SR	16V 10U	2	
C1050-53	ECJ1VB1C104K	16V 0.1U	4	
C1054,5	ECJ1VB1H222K	50V 2200P	2	
C1056,5	ECJ1VB1C104K	16V 0.1U	2	
C1058,5	ECEV1CA100SR	16V 10U	2	
C1060,6	ECJ1VB1H102K	50V 1000P	2	
C1062	ECUVNH103KBV	50V 0.01U	1	FIH1H103A748
C1063	ECEV1CA100SR	16V 10U	1	
C1064,6	ECJ1VB1C104K	16V 0.1U	2	
C1066	ECEV1CA100SR	16V 10U	1	
C1067	ECJ1VB1C104K	16V 0.1U	1	
C1068,6	ECUVNH103KBV	50V 0.01U	2	FIH1H103A748
C1070	ECJ1VB1C104K	16V 0.1U	1	
C1071	ECEV1HA010SR	50V 1U	1	
C1072	ECEV0JA101SP	6.3V 100U	1	
C1073,7	ECJ1VB1C104K	16V 0.1U	2	
C1075	ECEV1HA010SR	50V 1U	1	
C1076	ECJ1VB1C104K	16V 0.1U	1	
C1077-80	ECUV1H101JCV	50V 100P	4	FIH1H101A004
C1081	ECEV1HA010SR	50V 1U	1	
C1082	ECUVNH103KBV	50V 0.01U	1	FIH1H103A748
C1083	ECJ1VB1H102K	50V 1000P	1	
C1084	ECJ1VB1C104K	16V 0.1U	1	
C1085	FIH1H100A244	50V 10P	1	
C1086	ECJ1VB1C104K	16V 0.1U	1	
C1087,8	ECUV1H180JCV	50V 18P	2	ECJ1VC1H180J
C1089	ECUV1H220KCV	50V 22P	1	
C1090	ECJ1VB1C104K	16V 0.1U	1	
CF1001	H2D400400010	OSCILLATOR	1	
CN201	RJS2A5625	CONNECTOR (25P)	1	K1MN25A00012
CN203	RJS1A6606T1	CONNECTOR (6P)	1	K1MP06A00009
CN501	RJS1A6603T1	CONNECTOR (3P)	1	K1MP03A00010
CN601,0	RJS1A6606T1	CONNECTOR (6P)	2	K1MP06A00009
CN603	RJS1A6605T1	CONNECTOR (5P)	1	K1MP05A00010
CN802	RJU100W11	CONNECTOR (11P)	1	K1KB11A00020
CN901	RJS1A6817	CONNECTOR (17P)	1	K1MN17A00018

Ref. No.	Part No.	Part Name & Description	Pcs	Remarks
CN901B	RJS1A6817	CONNECTOR (17P)	1	K1MN17A00018
CN902	RJS1A6814	CONNECTOR (14P)	1	K1MN14A00017
CN902B	RJS1A6814	CONNECTOR (14P)	1	K1MN14A00017
CN903	RJS1A6838	CONNECTOR (38P)	1	K1MN38A00002
CN904	RJS1A6817	CONNECTOR (17P)	1	K1MN17A00018
CN905	RJS2A5625	CONNECTOR (25P)	1	K1MN25A00012
CN906	VJP4369E026B	CONNECTOR (26P)	1	K1KA26A00089
CN907	K1KA10A00278	CONNECTOR (10P)	1	
CN951	RJS1A6717-Q	CONNECTOR (17P)	1	K1MN17B00022
CN981	RJS1A6603T1	CONNECTOR (3P)	1	K1MP03A00010 (E, EB, EG)
CN1001	K1KA06B00054	CONNECTOR (6P)	1	
CN1002	K1KB26A00027	CONNECTOR (26P)	1	
CN1003	K1KB10A00092	CONNECTOR (10P)	1	
CP801	K1KA02A00008	CONNECTOR (2P)	1	
CP802,0	RJT100W11	CONNECTOR (11P)	2	K1KA11A00093
3				
D101-06	B0ADBH000001	DIODE	6	
D301-06	B0ADBH000001	DIODE	6	
D501-04	B0ADBH000001	DIODE	4	
D602-08	B0ADBH000001	DIODE	7	
D611,12	B0ADBH000001	DIODE	2	
D620	MAZ80510LL	DIODE	1	(E, EB, EG)
D701	B0FFAR000001	DIODE	1	
D702	MTZJ30D	DIODE	1	B0BA03000015
D703	MA165	DIODE	1	MA2C165
D704	AK03WK	DIODE	1	BOJAMD000005
D705	B0ZAZ0000052	DIODE	1	
D706,07	B0HAJM000005	DIODE	2	
D708	MTZJ10B	DIODE	1	B0BA9R600002
D709	B0BA01800019	DIODE	1	
D710	B0HAJM000005	DIODE	1	
D711	B0HFRJ000012	DIODE	1	
D712	B0HANM000012	DIODE	1	
D713	B0HAMM000074	DIODE	1	
D714	B0HFRJ000012	DIODE	1	
D715	B0HANM000012	DIODE	1	
D716	B0HAMM000074	DIODE	1	
D717	B0JBSG000022	DIODE	1	
D721,22	RL1N4003N02	DIODE	2	B0AAMM000009
D724,25	MA165	DIODE	2	MA2C165
D726	MA8150LTX	DIODE	1	MAZ81500LL
D727,28	RL1N4003N02	DIODE	2	B0AAMM000009
D729	MA8120M	DIODE	1	MAZ81200M
D751	MA165	DIODE	1	MA2C165
D801	RL1N4003N02	DIODE	1	B0AAMM000009
D802,03	SFPB-72V	DIODE	2	B0JCPC000004
D804	B0ADCC000002	DIODE	1	
D806	B0ADCJ000020	DIODE	1	
D807	MA8082M	DIODE	1	MAZ80820M
D808,09	MAZ80560ML	DIODE	2	
D810,11	MA2J11100L	DIODE	2	
D812	B0ADCJ000020	DIODE	1	
D901	MA723TA	DIODE	1	MA2C72300F
D902,03	MA165	DIODE	2	MA2C165
D904,05	1SS291TA	DIODE	2	
D906	MTZJ5R1B	DIODE	1	B0BA5R000004
D941-46	MA165	DIODE	6	MA2C165
D951,52	LNH0A8CYB0A2	LED	2	
D953	LNJ201LPQJA	LED	1	
D955-58	LNJ301MPUJAD	LED	4	
D959	SELS5923C	LED	1	B3ADA0000083
D960,61	LNJ301MPUJAD	LED	2	
D1002-04	B0ACCK000005	DIODE	3	
F1	XBA2C40TB0	FUSE, T4A	1	K5D402BA0001 △
IC101	C0ZBZ0000654	IC	1	
IC102,0	C0JBAA000149	IC	2	
3				

Ref. No.	Part No.	Part Name & Description	Pcs	Remarks
IC104	C0JBAC000262	IC	1	
IC105	C0BBCA000040	IC	1	
IC106-09	C1ZBZ0002016	IC	4	
IC110,11	C0JBAZ001127	IC	2	
IC301	C0ZBZ0000654	IC	1	
IC302,03	C0JBAA000149	IC	2	
IC304	C0JBAC000262	IC	1	
IC305	C0BBCA000040	IC	1	
IC306-09	C1ZBZ0002016	IC	4	
IC501	C0ZBZ0000654	IC	1	
IC502,03	C0JBAA000149	IC	2	
IC504	C0JBAC000262	IC	1	
IC505	C0BBCA000040	IC	1	
IC506,07	C1ZBZ0002016	IC	2	
IC601	C0BBCA000040	IC	1	
IC602	C1ZBZ0002016	IC	1	
IC603	NJU7082BVAE1	IC	1	
IC605	C0JBAC000262	IC	1	
IC606	C0DBZZD00007	IC	1	
IC607	C0JBAC000262	IC	1	
IC608	C0CBAYD00002	IC	1	
IC609	C0EBE0000200	IC	1	
IC610	C0BBCA000040	IC	1	
IC611	C0AABB000077	IC	1	
IC701	C1DA00000248	IC	1	
IC702	C0EAS0000013	IC	1	
IC721	C0CBADC000041	IC	1	
IC731	C0DBZZF00001	IC	1	
IC801	NJU7313AMT2	IC	1	C0JZAS000002
IC802	NJM4580EDTE1	IC	1	C0ABBB000125
IC803,04	NJM2115MTE1	IC	2	C0ABBB000102
IC805	NJM2279MT2	IC	1	CLAB00000417
IC807	C0CBADC000042	IC	1	
IC808,09	PQ1CZ21H2ZP	IC	2	C0DBCMG00001
IC901	C2BBGE000607	IC	1	
IC981	C1BB00000527	IC	1	(E, EB, EG)
IC1001	C3DBNC000075	IC	1	
IC1002	C2HBZJ000001	IC	1	
IC1003	C0JBAZ001539	IC	1	
IC1004,05	C0JBAF000464	IC	2	
IC1007	C0JBAB0000371	IC	1	
IC1008	C0JBAR000191	IC	1	
IC1009	C0JBAF000162	IC	1	
IC1010	C0JBAZ001003	IC	1	
IC1011	C0JBAZ001437	IC	1	
IC1012	C1BB00000692	IC	1	
IC1013	C1BB00000672	IC	1	
IC1014	C2BBFE000123	IC	1	
IC1016	C0JBAR000191	IC	1	
IC1017	C0JBAB0000423	IC	1	
JA801-08	ERJ6GEY0R00V	CHIP JUMPER	8	
JA809	ERJ3GEY0R00Z	CHIP JUMPER	1	
JK700	K2AA2B000004	JACK, AC IN	1	△
JK701	K4BC04B00045	JACK, SURROUND	1	
JK702	K4BC06B00025	JACK, FRONT/CENTER	1	
JK801	K2YZ02000026	JACK, DIGITAL IN	1	
JK802	K7ABBC000002	JACK, DIGITAL IN	1	
JK803,04	K4BK06B00010	TRMINAL BOARD	2	
JK805	K4BK06B00011	TRMINAL BOARD	1	
JK901	K2HB106B0001	JACK, HEADPHONE	1	
L101	G0C45NZ00001	COIL	1	

Ref. No.	Part No.	Part Name & Description	Pcs	Remarks
L102	G0C7R0K00001	COIL	1	
L103	G0C45NZ00001	COIL	1	
L104	G0C7R0K00001	COIL	1	
L105	G0C45NZ00001	COIL	1	
L106	G0C7R0K00001	COIL	1	
L107	G0C45NZ00001	COIL	1	
L108	G0C7R0K00001	COIL	1	
L301	G0C45NZ00001	COIL	1	
L302	G0C7R0K00001	COIL	1	
L303	G0C45NZ00001	COIL	1	
L304	G0C7R0K00001	COIL	1	
L305	G0C45NZ00001	COIL	1	
L306	G0C7R0K00001	COIL	1	
L307	G0C45NZ00001	COIL	1	
L308	G0C7R0K00001	COIL	1	
L501	G0C45NZ00001	COIL	1	
L502	G0C7R0K00001	COIL	1	
L503	G0C45NZ00001	COIL	1	
L504	G0C7R0K00001	COIL	1	
L601,02	G0AR68N00001	COIL	2	
L604	G0A580M00001	COIL	1	
L701,02	ELF21N015A	COIL	2	△
L703	BL02RN2R62T4	COIL	1	J0JKB0000020
L704,05	G0A200D00002	COIL	2	
L706	BL02RN2R62T4	COIL	1	J0JKB0000020
L708	RLQYR73MW1-0	COIL	1	G0ZZ00001606
L801	G0A200D00002	COIL	1	
L802	G0C101M00001	COIL	1	
L803	G0C221M00001	COIL	1	
L804,05	G0A200D00002	COIL	2	
L806	G0E150A00003	COIL	1	
L807	G0A200D00002	COIL	1	
L811-15	RLBV102V-Y	COIL	5	J0JBC0000014
L817	RLBV102V-Y	COIL	1	J0JBC0000014
L901	RLQA3R3JT1-Y	COIL	1	G0C3R3JA0019
L906-08	G0C101JA0019	COIL	3	
L910	G0C101JA0019	COIL	1	
L983,84	J0JBC0000041	COIL	2	(E, EB, EG)
L1001-07	RLQM2R2KT2-W	COIL	7	G1C2R2K00008
L1008	RLQM5R6KT2-W	COIL	1	G1C5R6K00006
L1009,10	RLQM2R2KT2-W	COIL	2	G1C2R2K00008
P1	RPG6058	PACKING CASE	1	(E)
P1	RPG6059	PACKING CASE	1	(EB, EG)
P1	RPG6061	PACKING CASE	1	(GCS, GD, GN)
P2	RPN1492-1	CUSHION	1	
P3	SPP756-1	PROTECTION BAG (UNIT)	1	
P4	RPQ0164	ACCESSORY PAD	1	
P5	RPF0139-1	PROTECT. BAG (ACCESSORIES)	1	
P6	XZB10X30C03Z	PROTECTION BAG (ACCORD)	1	(EB, GN)
PC701	B3PAA0000175	TRANSISTOR-PHOTO COUPLER	1	△
PCB1	REP3307B-M	DIGITAL P.C.B.ASS'Y	1	[RTL]
PCB2	REP3308B-P	POWER P.C.B.ASS'Y	1	[RTL] (E, EB, EG)
PCB2	REP3308D-P	POWER P.C.B.ASS'Y	1	[RTL] (GCS, GD, GN)
PCB3	REP3310B-T	DSP P.C.B.ASS'Y	1	[RTL]
PCB4	REP3309B-S	PANEL P.C.B.ASS'Y	1	[RTL]
PL701	RSC0616	EARTH TERMINAL	1	
Q101,02	B1ABDB000029	TRANSISTOR	2	
Q103,04	B1DEGF000001	TRANSISTOR	2	
Q105,06	B1ABDB000029	TRANSISTOR	2	
Q107,08	B1DEGF000001	TRANSISTOR	2	
Q109,10	B1ABDB000029	TRANSISTOR	2	

Ref. No.	Part No.	Part Name & Description	Pcs	Remarks
Q111,12	B1DEGF000001	TRANSISTOR	2	
Q113,14	B1ABDB000029	TRANSISTOR	2	
Q115,16	B1DEGF000001	TRANSISTOR	2	
Q301,02	B1ABDB000029	TRANSISTOR	2	
Q303,04	B1DEGF000001	TRANSISTOR	2	
Q305,06	B1ABDB000029	TRANSISTOR	2	
Q307,08	B1DEGF000001	TRANSISTOR	2	
Q309,10	B1ABDB000029	TRANSISTOR	2	
Q311,12	B1DEGF000001	TRANSISTOR	2	
Q313,14	B1ABDB000029	TRANSISTOR	2	
Q315,16	B1DEGF000001	TRANSISTOR	2	
Q501,02	B1ABDB000029	TRANSISTOR	2	
Q503,04	B1DEGF000001	TRANSISTOR	2	
Q505,06	B1ABDB000029	TRANSISTOR	2	
Q507,08	B1DEGF000001	TRANSISTOR	2	
Q510	B1ABDB000029	TRANSISTOR	1	
Q514	B1ABDB000029	TRANSISTOR	1	
Q603-05	B1ABDB000029	TRANSISTOR	3	
Q606,07	B1DEGL000004	TRANSISTOR	2	
Q608,09	B1GFGCAA0001	TRANSISTOR	2	
Q610,11	B1ABDB000029	TRANSISTOR	2	
Q612	B1GFGCAA0001	TRANSISTOR	1	
Q613	B1ABDB000029	TRANSISTOR	1	
Q615	UNR511400L	TRANSISTOR	1	
Q616	B1ABDB000029	TRANSISTOR	1	
Q617	UN5111TX	TRANSISTOR	1	UNR511100L
Q701	B1BACJ000005	TRANSISTOR	1	
Q721,22	UN4211	TRANSISTOR	2	UNR4211
Q723,24	2SD2144S	TRANSISTOR	2	B1AAGC000006
Q801,02	2SB0621AHA	TRANSISTOR	2	
Q803	2SD0592AWA	TRANSISTOR	1	
Q804	2SB0621AHA	TRANSISTOR	1	
Q805	2SD0592AWA	TRANSISTOR	1	
Q811	2SC2412KT96R	TRANSISTOR	1	
Q812	UNR221100L	TRANSISTOR	1	
Q813	2SC2412KT96R	TRANSISTOR	1	
Q815	2SA1037AKSTX	TRANSISTOR	1	
Q816	UN2215TX	TRANSISTOR	1	UNR22150RL
Q817	UN2115TW	TRANSISTOR	1	UNR211500L
Q818	B1GFGCAA0001	TRANSISTOR	1	
Q901	UN4211	TRANSISTOR	1	UNR4211
Q902	UN4212TA	TRANSISTOR	1	UNR421200A
Q951	UN4111	TRANSISTOR	1	UNR4111
Q952,53	UN4211	TRANSISTOR	2	UNR4211
Q1001	DTA114YETL	TRANSISTOR	1	B1GDCFJN0001
R101	ERJ3GEYJ220V	1/16W 22	1	
R102	ERJ3GEYJ3R3V	1/16W 3.3	1	
R103	ERJ3GEYJ220V	1/16W 22	1	
R104	ERJ3GEYJ221V	1/16W 220	1	
R108	ERJ3GEY0R00Z	1/16W 0	1	
R111,12	ERJ3GEY0R00Z	1/16W 0	2	
R117-19	ERJ3GEYJ100V	1/16W 10	3	
R120	ERJ3GEYJ3R3V	1/16W 3.3	1	
R121	ERJ3GEY0R00Z	1/16W 0	1	
R123	ERJ3GEY0R00Z	1/16W 0	1	
R125	ERJ3GEYJ103Z	1/16W 10K	1	
R126	ERJ3GEYJ104Z	1/16W 100K	1	
R127	ERJ3GEYJ102V	1/16W 1K	1	
R128	ERJ3GEYJ103Z	1/16W 10K	1	
R129	ERJ3GEYJ392V	1/16W 3.9K	1	
R130-37	ERJ3GEYJ104Z	1/16W 100K	8	
R138	ERJ3GEYJ472V	1/16W 4.7K	1	
R141	ERJ3GEYJ3R3V	1/16W 3.3	1	
R142	ERJ3GEYJ101V	1/16W 100	1	
R143	ERJ3GEYJ102V	1/16W 1K	1	
R144	ERJ3GEYJ562V	1/16W 5.6K	1	D0GB562JA002
R145	ERJ3EKF2001V	1/16W 2K	1	
R146	ERJ3GEYJ470V	1/16W 47	1	
R147	ERJ3GEYJ102V	1/16W 1K	1	
R148	ERJ3GEYJ562V	1/16W 5.6K	1	D0GB562JA002
R149	ERJ3EKF2001V	1/16W 2K	1	
R150	ERJ3GEYJ470V	1/16W 47	1	

Ref. No.	Part No.	Part Name & Description	Pcs	Remarks
R151	ERJ3GEYJ3R3V	1/16W 3.3	1	
R152	ERJ3GEYJ101V	1/16W 100	1	
R153	ERJ3GEYJ102V	1/16W 1K	1	
R154	ERJ3GEYJ562V	1/16W 5.6K	1	D0GB562JA002
R155	ERJ3EKF2001V	1/16W 2K	1	
R156	ERJ3GEYJ470V	1/16W 47	1	
R157	ERJ3GEYJ102V	1/16W 1K	1	
R158	ERJ3GEYJ562V	1/16W 5.6K	1	D0GB562JA002
R159	ERJ3EKF2001V	1/16W 2K	1	
R160	ERJ3GEYJ470V	1/16W 47	1	
R161,62	ERJ14YJ1R5U	1/4W 1.5	2	
R163	ERJ3GEYJ100V	1/16W 10	1	
R164	ERJ3GEYJ470V	1/16W 47	1	
R165,66	ERJ3GEYJ100V	1/16W 10	2	
R167	ERJ14YJ472U	1/4W 4.7K	1	
R170	ERJ14YJ472U	1/4W 4.7K	1	
R171,72	ERJ14YJ1R5U	1/4W 1.5	2	
R173	ERJ3GEYJ100V	1/16W 10	1	
R174	ERJ3GEYJ470V	1/16W 47	1	
R175	ERJ3GEYJ100V	1/16W 10	1	
R176	ERJ3GEYJ3R3V	1/16W 3.3	1	
R177	ERJ3GEYJ101V	1/16W 100	1	
R178	ERJ3GEYJ102V	1/16W 1K	1	
R179	ERJ3GEYJ562V	1/16W 5.6K	1	D0GB562JA002
R180	ERJ3EKF2001V	1/16W 2K	1	
R181	ERJ3GEYJ470V	1/16W 47	1	
R182	ERJ3GEYJ102V	1/16W 1K	1	
R183	ERJ3GEYJ562V	1/16W 5.6K	1	D0GB562JA002
R184	ERJ3EKF2001V	1/16W 2K	1	
R185	ERJ3GEYJ470V	1/16W 47	1	
R186	ERJ3GEYJ3R3V	1/16W 3.3	1	
R187	ERJ3GEYJ101V	1/16W 100	1	
R188	ERJ3GEYJ102V	1/16W 1K	1	
R189	ERJ3GEYJ562V	1/16W 5.6K	1	D0GB562JA002
R190	ERJ3EKF2001V	1/16W 2K	1	
R191	ERJ3GEYJ470V	1/16W 47	1	
R192	ERJ3GEYJ102V	1/16W 1K	1	
R193	ERJ3GEYJ562V	1/16W 5.6K	1	D0GB562JA002
R194	ERJ3EKF2001V	1/16W 2K	1	
R195	ERJ3GEYJ470V	1/16W 47	1	
R196,97	ERJ14YJ1R5U	1/4W 1.5	2	
R198	ERJ3GEYJ100V	1/16W 10	1	
R199	ERJ3GEYJ470V	1/16W 47	1	
R200,01	ERJ3GEYJ100V	1/16W 10	2	
R202	ERJ14YJ472U	1/4W 4.7K	1	
R205	ERJ14YJ472U	1/4W 4.7K	1	
R206,07	ERJ14YJ1R5U	1/4W 1.5	2	
R208	ERJ3GEYJ100V	1/16W 10	1	
R209	ERJ3GEYJ470V	1/16W 47	1	
R210	ERJ3GEYJ100V	1/16W 10	1	
R301	ERJ3GEYJ220V	1/16W 22	1	
R302	ERJ3GEYJ3R3V	1/16W 3.3	1	
R303	ERJ3GEYJ220V	1/16W 22	1	
R304	ERJ3GEYJ221V	1/16W 220	1	
R308	ERJ3GEY0R00Z	1/16W 0	1	
R311,12	ERJ3GEY0R00Z	1/16W 0	2	
R317-19	ERJ3GEYJ100V	1/16W 10	3	
R320	ERJ3GEYJ3R3V	1/16W 3.3	1	
R321	ERJ3GEY0R00Z	1/16W 0	1	
R323	ERJ3GEY0R00Z	1/16W 0	1	
R325	ERJ3GEYJ103Z	1/16W 10K	1	
R326	ERJ3GEYJ104Z	1/16W 100K	1	
R327	ERJ3GEYJ102V	1/16W 1K	1	
R328	ERJ3GEYJ103Z	1/16W 10K	1	
R329	ERJ3GEYJ392V	1/16W 3.9K	1	
R330-37	ERJ3GEYJ104Z	1/16W 100K	8	
R338	ERJ3GEYJ472V	1/16W 4.7K	1	
R341	ERJ3GEYJ3R3V	1/16W 3.3	1	
R342	ERJ3GEYJ101V	1/16W 100	1	
R343	ERJ3GEYJ102V	1/16W 1K	1	
R344	ERJ3GEYJ562V	1/16W 5.6K	1	D0GB562JA002
R345	ERJ3EKF2001V	1/16W 2K	1	
R346	ERJ3GEYJ470V	1/16W 47	1	

Ref. No.	Part No.	Part Name & Description	Pcs	Remarks
R347	ERJ3GEYJ102V	1/16W 1K	1	
R348	ERJ3GEYJ562V	1/16W 5.6K	1	D0GB562JA002
R349	ERJ3EKF2001V	1/16W 2K	1	
R350	ERJ3GEYJ470V	1/16W 47	1	
R351	ERJ3GEYJ3R3V	1/16W 3.3	1	
R352	ERJ3GEYJ101V	1/16W 100	1	
R353	ERJ3GEYJ102V	1/16W 1K	1	
R354	ERJ3GEYJ562V	1/16W 5.6K	1	D0GB562JA002
R355	ERJ3EKF2001V	1/16W 2K	1	
R356	ERJ3GEYJ470V	1/16W 47	1	
R357	ERJ3GEYJ102V	1/16W 1K	1	
R358	ERJ3GEYJ562V	1/16W 5.6K	1	D0GB562JA002
R359	ERJ3EKF2001V	1/16W 2K	1	
R360	ERJ3GEYJ470V	1/16W 47	1	
R361, 62	ERJ14YJ1R5U	1/4W 1.5	2	
R363	ERJ3GEYJ100V	1/16W 10	1	
R364	ERJ3GEYJ470V	1/16W 47	1	
R365, 66	ERJ3GEYJ100V	1/16W 10	2	
R367	ERJ14YJ472U	1/4W 4.7K	1	
R370	ERJ14YJ472U	1/4W 4.7K	1	
R371, 72	ERJ14YJ1R5U	1/4W 1.5	2	
R373	ERJ3GEYJ100V	1/16W 10	1	
R374	ERJ3GEYJ470V	1/16W 47	1	
R375	ERJ3GEYJ100V	1/16W 10	1	
R376	ERJ3GEYJ3R3V	1/16W 3.3	1	
R377	ERJ3GEYJ101V	1/16W 100	1	
R378	ERJ3GEYJ102V	1/16W 1K	1	
R379	ERJ3GEYJ562V	1/16W 5.6K	1	D0GB562JA002
R380	ERJ3EKF2001V	1/16W 2K	1	
R381	ERJ3GEYJ470V	1/16W 47	1	
R382	ERJ3GEYJ102V	1/16W 1K	1	
R383	ERJ3GEYJ562V	1/16W 5.6K	1	D0GB562JA002
R384	ERJ3EKF2001V	1/16W 2K	1	
R385	ERJ3GEYJ470V	1/16W 47	1	
R386	ERJ3GEYJ3R3V	1/16W 3.3	1	
R387	ERJ3GEYJ101V	1/16W 100	1	
R388	ERJ3GEYJ102V	1/16W 1K	1	
R389	ERJ3GEYJ562V	1/16W 5.6K	1	D0GB562JA002
R390	ERJ3EKF2001V	1/16W 2K	1	
R391	ERJ3GEYJ470V	1/16W 47	1	
R392	ERJ3GEYJ102V	1/16W 1K	1	
R393	ERJ3GEYJ562V	1/16W 5.6K	1	D0GB562JA002
R394	ERJ3EKF2001V	1/16W 2K	1	
R395	ERJ3GEYJ470V	1/16W 47	1	
R396, 97	ERJ14YJ1R5U	1/4W 1.5	2	
R398	ERJ3GEYJ100V	1/16W 10	1	
R399	ERJ3GEYJ470V	1/16W 47	1	
R400, 01	ERJ3GEYJ100V	1/16W 10	2	
R402	ERJ14YJ472U	1/4W 4.7K	1	
R405	ERJ14YJ472U	1/4W 4.7K	1	
R406, 07	ERJ14YJ1R5U	1/4W 1.5	2	
R408	ERJ3GEYJ100V	1/16W 10	1	
R409	ERJ3GEYJ470V	1/16W 47	1	
R410	ERJ3GEYJ100V	1/16W 10	1	
R421	ERJ3GEYJ150V	1/16W 15	1	
R422	ERJ3GEYJ332V	1/16W 3.3K	1	D0GB332JA002
R423	ERJ3GEYJ150V	1/16W 15	1	
R424	ERJ3GEYJ332V	1/16W 3.3K	1	D0GB332JA002
R425	ERJ3GEYJ472V	1/16W 4.7K	1	
R426	ERJ3GEYJ103Z	1/16W 10K	1	
R427	ERJ3GEYJ472V	1/16W 4.7K	1	
R428	ERJ3GEYJ103Z	1/16W 10K	1	
R431, 32	ERJ3GEYJ472V	1/16W 4.7K	2	
R433	ERJ3GEYJ683V	1/16W 68K	1	D0GB683JA002
R435	ERJ3GEYJ272V	1/16W 2.7K	1	
R436	ERJ3GEYJ821V	1/16W 820	1	
R437, 38	ERJ3GEYJ102V	1/16W 1K	2	
R441	ERJ3GEYJ100V	1/16W 10	1	
R442	ERJ3GEYJ103Z	1/16W 10K	1	
R451	ERJ3GEYJ220V	1/16W 22	1	
R452	ERJ3GEYJ3R3V	1/16W 3.3	1	
R453	ERJ3GEYJ220V	1/16W 22	1	
R454	ERJ3GEYJ221V	1/16W 220	1	

Ref. No.	Part No.	Part Name & Description	Pcs	Remarks
R458	ERJ3GEY0R00Z	1/16W 0	1	
R461, 62	ERJ3GEY0R00Z	1/16W 0	2	
R467-69	ERJ3GEYJ100V	1/16W 10	3	
R470	ERJ3GEYJ3R3V	1/16W 3.3	1	
R471	ERJ3GEY0R00Z	1/16W 0	1	
R473	ERJ3GEY0R00Z	1/16W 0	1	
R475	ERJ3GEYJ103Z	1/16W 10K	1	
R476	ERJ3GEYJ104Z	1/16W 100K	1	
R477	ERJ3GEYJ102V	1/16W 1K	1	
R478	ERJ3GEYJ103Z	1/16W 10K	1	
R479	ERJ3GEYJ392V	1/16W 3.9K	1	
R480-83	ERJ3GEYJ104Z	1/16W 100K	4	
R488	ERJ3GEYJ472V	1/16W 4.7K	1	
R491	ERJ3GEYJ3R3V	1/16W 3.3	1	
R492	ERJ3GEYJ101V	1/16W 100	1	
R493	ERJ3GEYJ102V	1/16W 1K	1	
R494	ERJ3GEYJ562V	1/16W 5.6K	1	D0GB562JA002
R495	ERJ3EKF2001V	1/16W 2K	1	
R496	ERJ3GEYJ470V	1/16W 47	1	
R497	ERJ3GEYJ102V	1/16W 1K	1	
R498	ERJ3GEYJ562V	1/16W 5.6K	1	D0GB562JA002
R499	ERJ3EKF2001V	1/16W 2K	1	
R500	ERJ3GEYJ470V	1/16W 47	1	
R501	ERJ3GEYJ3R3V	1/16W 3.3	1	
R502	ERJ3GEYJ101V	1/16W 100	1	
R503	ERJ3GEYJ102V	1/16W 1K	1	
R504	ERJ3GEYJ562V	1/16W 5.6K	1	D0GB562JA002
R505	ERJ3EKF2001V	1/16W 2K	1	
R506	ERJ3GEYJ470V	1/16W 47	1	
R507	ERJ3GEYJ102V	1/16W 1K	1	
R508	ERJ3GEYJ562V	1/16W 5.6K	1	D0GB562JA002
R509	ERJ3EKF2001V	1/16W 2K	1	
R510	ERJ3GEYJ470V	1/16W 47	1	
R511, 12	ERJ14YJ1R5U	1/4W 1.5	2	
R513	ERJ3GEYJ100V	1/16W 10	1	
R514	ERJ3GEYJ470V	1/16W 47	1	
R515, 16	ERJ3GEYJ100V	1/16W 10	2	
R517	ERJ14YJ472U	1/4W 4.7K	1	
R520	ERJ14YJ472U	1/4W 4.7K	1	
R521, 22	ERJ14YJ1R5U	1/4W 1.5	2	
R523	ERJ3GEYJ100V	1/16W 10	1	
R524	ERJ3GEYJ470V	1/16W 47	1	
R525	ERJ3GEYJ100V	1/16W 10	1	
R526	ERJ3GEYJ3R3V	1/16W 3.3	1	
R527	ERJ3GEYJ101V	1/16W 100	1	
R530	ERJ8GEYJ392V	1/4W 3.9K	1	
R532	ERJ3GEYJ102V	1/16W 1K	1	
R533	ERJ3GEYJ562V	1/16W 5.6K	1	D0GB562JA002
R534	ERJ8GEYJ392V	1/4W 3.9K	1	
R535	ERJ3GEYJ470V	1/16W 47	1	
R536	ERJ3GEYJ3R3V	1/16W 3.3	1	
R537	ERJ3GEYJ101V	1/16W 100	1	
R540	ERJ8GEYJ392V	1/4W 3.9K	1	
R542	ERJ3GEYJ102V	1/16W 1K	1	
R543	ERJ3GEYJ562V	1/16W 5.6K	1	D0GB562JA002
R544	ERJ8GEYJ392V	1/4W 3.9K	1	
R545	ERJ3GEYJ470V	1/16W 47	1	
R561, 62	ERJ3GEYJ103Z	1/16W 10K	2	
R565-67	ERJ3GEYJ103Z	1/16W 10K	3	
R568, 69	ERJ3GEYJ182V	1/16W 1.8K	2	
R570	ERJ3GEYJ100V	1/16W 10	1	
R571, 72	ERJ6ENF10R0	1/10W 10	2	
R573	ERJ3EKF1103V	1/16W 110K	1	
R574	ERJ3EKF1002V	1/16W 10K	1	
R575	ERJ3EKF2203V	1/16W 220K	1	
R576	ERJ3GEYJ103Z	1/16W 10K	1	
R578	ERJ3GEYJ124V	1/16W 120K	1	D0GB124JA002
R579	ERJ3GEYJ222V	1/16W 2.2K	1	
R580	ERJ3GEYJ472V	1/16W 4.7K	1	
R581	ERJ3GEYJ823V	1/16W 82K	1	D0GB823JA002
R582	ERJ3GEYJ472V	1/16W 4.7K	1	
R583	ERJ3GEYJ203	1/16W 20K	1	
R584	ERJ3GEYJ103Z	1/16W 10K	1	

Ref. No.	Part No.	Part Name & Description	Pcs	Remarks
R585	ERJ3GEYJ101V	1/16W 100	1	
R586	ERJ3GEYJ203	1/16W 20K	1	
R587,88	ERJ3GEYJ472V	1/16W 4.7K	2	
R589	ERJ3GEYJ203	1/16W 20K	1	
R590,91	ERJ3GEYJ472V	1/16W 4.7K	2	
R592	ERJ3GEYJ103Z	1/16W 10K	1	
R593,94	ERJ3GEYJ3R3V	1/16W 3.3	2	
R595	ERJ3GEY0R00Z	1/16W 0	1	
R598	ERJ6GEY0R00V	1/10W 0	1	
R599,00	ERJMLWSF20MU	10W 0.02	2	
R601	ERJ3GEYJ100V	1/16W 10	1	
R602	ERJ3GEYJ150V	1/16W 15	1	
R603	ERJ3GEYJ332V	1/16W 3.3K	1	D0GB332JA002
R604	ERJ3GEYJ150V	1/16W 15	1	
R605	ERJ3GEYJ332V	1/16W 3.3K	1	D0GB332JA002
R606,07	ERJ3GEYJ472V	1/16W 4.7K	2	
R608	ERJ3GEYJ103Z	1/16W 10K	1	
R609	ERJ3GEYJ472V	1/16W 4.7K	1	
R610	ERJ3GEYJ103Z	1/16W 10K	1	
R611	ERJ3GEYJ472V	1/16W 4.7K	1	
R612	ERJ3GEYJ102V	1/16W 1K	1	
R613	ERJ3GEYJ333Z	1/16W 33K	1	
R614	ERJ3GEYJ511	1/16W 510	1	
R615	ERJ3GEYJ562V	1/16W 5.6K	1	D0GB562JA002
R616	ERJ3GEYJ274V	1/16W 270K	1	
R617	ERJ3GEYJ273V	1/16W 27K	1	D0GB273JA002
R618	ERJ3GEYJ822V	1/16W 8.2K	1	D0GB822JA002
R619	ERJ3GEYJ332V	1/16W 3.3K	1	D0GB332JA002
R620	ERJ3GEYJ820V	1/16W 82	1	
R621	ERA3YED183V	1/16W 18K	1	
R622	ERA3YED822V	1/16W 8.2K	1	
R623	ERA3YED222V	1/16W 2.2K	1	
R624	ERJ3GEYJ182V	1/16W 1.8K	1	
R625	ERJ3GEYJ102V	1/16W 1K	1	
R626	ERJ3GEYJ103Z	1/16W 10K	1	
R627	ERJ3GEYJ152V	1/16W 1.5K	1	
R628,29	ERJ3GEYJ471V	1/16W 470	2	
R630	ERJ3GEYJ562V	1/16W 5.6K	1	D0GB562JA002
R631	ERJ3GEYJ822V	1/16W 8.2K	1	D0GB822JA002
R632	ERJ3GEYJ152V	1/16W 1.5K	1	
R633	ERJ3GEYJ273V	1/16W 27K	1	D0GB273JA002
R634,35	ERJ3GEYJ272V	1/16W 2.7K	2	
R636	ERJ3GEYJ821V	1/16W 820	1	
R638-43	ERJ3GEYJ470V	1/16W 47	6	
R644	ERJ3GEYJ100V	1/16W 10	1	
R646	ERJ3GEYJ101V	1/16W 100	1	
R647-49	ERJ3GEYJ100V	1/16W 10	3	
R650-54	ERJ3GEYJ101V	1/16W 100	5	
R655	ERJ3GEYJ100V	1/16W 10	1	
R656	ERJ3GEYJ103Z	1/16W 10K	1	
R657,58	ERJ3GEYJ472V	1/16W 4.7K	2	
R659	ERJ3GEYJ103Z	1/16W 10K	1	
R660-62	ERJ3GEYJ472V	1/16W 4.7K	3	
R664	ERJ3GEYJ823V	1/16W 82K	1	D0GB823JA002
R665	ERJ3GEYJ102V	1/16W 1K	1	
R666	ERJ3GEYJ823V	1/16W 82K	1	D0GB823JA002
R667	ERJ3GEYJ102V	1/16W 1K	1	
R668	ERJ3GEYJ333Z	1/16W 33K	1	
R669	ERJ3GEYJ153V	1/16W 15K	1	
R670	ERJ3GEYJ303V	1/16W 30K	1	
R671	ERJ3GEYJ272V	1/16W 2.7K	1	
R672	D4CA33030001	THERMISTOR	1	
R673	ERJ3GEYJ181V	1/16W 180	1	
R675	ERJ3GEYJ301	1/16W 300	1	
R676	ERJ3GEYJ103Z	1/16W 10K	1	
R677,78	ERJ3GEYJ472V	1/16W 4.7K	2	
R679	ERJ3GEYJ823V	1/16W 82K	1	D0GB823JA002
R680	ERJ3GEYJ102V	1/16W 1K	1	
R681	ERJ3GEYJ823V	1/16W 82K	1	D0GB823JA002
R682	ERJ3GEYJ102V	1/16W 1K	1	
R683	ERJ3GEYJ333Z	1/16W 33K	1	
R684	ERJ3GEYJ153V	1/16W 15K	1	
R685	ERJ3GEYJ303V	1/16W 30K	1	

Ref. No.	Part No.	Part Name & Description	Pcs	Remarks
R686	ERJ3GEYJ272V	1/16W 2.7K	1	
R687	ERJ3GEYJ103Z	1/16W 10K	1	
R689	D4CA33030001	THERMISTOR	1	
R690-92	ERJ3GEYJ472V	1/16W 4.7K	3	
R693,94	ERJ3GEYJ102V	1/16W 1K	2	
R695	ERJ3GEYJ101V	1/16W 100	1	
R696	ERJ3GEYJ104Z	1/16W 100K	1	
R697,98	ERJ3GEYJ473V	1/16W 47K	2	D0GB473JA002
R702	ERG2SJ683	2W 68K	1	
R703	ERDS2FJ681	1/4W 680	1	
R704	ERX2LJ82MP	2W 0.082	1	
R706	ERDS2FJ104	1/4W 100K	1	
R707	ERDS2FJ332	1/4W 3.3K	1	
R708	ERDS2FJ222	1/4W 2.2K	1	
R709	ERDS2FJ103	1/4W 10K	1	
R710	ERDS2FJ220	1/4W 22	1	
R711	ERDS2FJ222	1/4W 2.2K	1	
R712	ERDS2FJ182	1/4W 1.8K	1	
R713	ERDS2FJ102	1/4W 1K	1	
R714	ERDS1FJ682	1/2W 6.8K	1	
R715	ERDS2FJ104	1/4W 100K	1	
R721,22	ERDS2FJ103	1/4W 10K	2	
R723	ERDS2FJ561	1/4W 560	1	
R724	ERDS2FJ102	1/4W 1K	1	
R725	ERDS2FJ332	1/4W 3.3K	1	
R726	ERDS2FJ220	1/4W 22	1	
R751	ERDS2TJ183	1/4W 18K	1	
R752	ERDS2FJ473	1/4W 47K	1	
R753	ERDS2FJ103	1/4W 10K	1	
R754	ERDS2FJ224	1/4W 220K	1	
R801	ERDS1FVJ220T	1/2W 22	1	
R802,03	ERJ3GEYJ750	1/16W 75	2	
R804	ERJ3GEYJ103Z	1/16W 10K	1	
R805	ERJ3GEYJ102V	1/16W 1K	1	
R806,07	ERJ3GEYJ750	1/16W 75	2	
R808,09	ERJ3GEYJ103Z	1/16W 10K	2	
R810	ERJ3GEYJ750	1/16W 75	1	
R811-24	ERJ3GEYJ102V	1/16W 1K	14	
R827	ERJ3GEYJ470V	1/16W 47	1	
R830	ERJ3GEYJ470V	1/16W 47	1	
R831	ERJ3GEYJ750	1/16W 75	1	
R832	ERJ3GEYJ470V	1/16W 47	1	
R833-35	ERJ3GEYJ103Z	1/16W 10K	3	
R836,37	ERJ3GEYJ473V	1/16W 47K	2	D0GB473JA002
R838,39	ERJ3GEYJ102V	1/16W 1K	2	
R840,41	ERJ3GEYJ104Z	1/16W 100K	2	
R842,43	ERJ3GEYJ473V	1/16W 47K	2	D0GB473JA002
R844,45	ERJ3GEYJ332V	1/16W 3.3K	2	D0GB332JA002
R846,47	ERJ3GEYJ182V	1/16W 1.8K	2	
R848	ERJ3GEYJ564V	1/16W 560K	1	D0GB564JA002
R849	ERJ3GEYJ824V	1/16W 820K	1	D0GB824JA002
R850,51	ERJ3GEYJ822V	1/16W 8.2K	2	D0GB822JA002
R852,53	ERJ3GEYJ472V	1/16W 4.7K	2	
R854-59	ERJ3GEYJ103Z	1/16W 10K	6	
R860	ERJ3GEYJ102V	1/16W 1K	1	
R861	ERJ3GEYJ222V	1/16W 2.2K	1	
R862	ERJ6GEYJ100V	1/10W 10	1	
R863	ERJ3GEYJ563V	1/16W 56K	1	
R864	ERJ3GEYJ562V	1/16W 5.6K	1	D0GB562JA002
R865	ERJ3GEYJ563V	1/16W 56K	1	
R866,67	ERJ3GEYJ103Z	1/16W 10K	2	
R868	ERJ3GEYJ101V	1/16W 100	1	
R869	ERJ3GEYJ563V	1/16W 56K	1	
R872	ERJ3GEYJ223V	1/16W 22K	1	D0GB223JA002
R873	ERJ3GEYJ152V	1/16W 1.5K	1	
R874	ERJ3GEYJ562V	1/16W 5.6K	1	D0GB562JA002
R875	ERJ3GEYJ182V	1/16W 1.8K	1	
R876	ERJ3GEYJ153V	1/16W 15K	1	
R877	ERJ3GEYJ223V	1/16W 22K	1	D0GB223JA002
R878	ERJ3GEYJ473V	1/16W 47K	1	D0GB473JA002
R880	ERJ3GEYJ103Z	1/16W 10K	1	
R881	ERJ3GEYJ822V	1/16W 8.2K	1	D0GB822JA002
R882	ERJ3GEYJ562V	1/16W 5.6K	1	D0GB562JA002

16 Packaging

