

1	2	3	4	5	6	7	8
---	---	---	---	---	---	---	---

THIS DRAWING AND SPECIFICATIONS, HEREIN, ARE THE PROPERTY OF INVENTEC CORPORATION AND SHALL NOT BE REPRODUCED, COPIED, OR USED IN WHOLE OR IN PART AS THE BASIS FOR THE MANUFACTURE OR SALE OF ITEMS WITHOUT WRITTEN PERMISSION. INVENTEC CORPORATION 2009 ALL RIGHT RESERVED

HSF Property : **Halogen-Free**

STYX

MV BUILD

2011.04.15

DATE	CHANGE NO.	REV

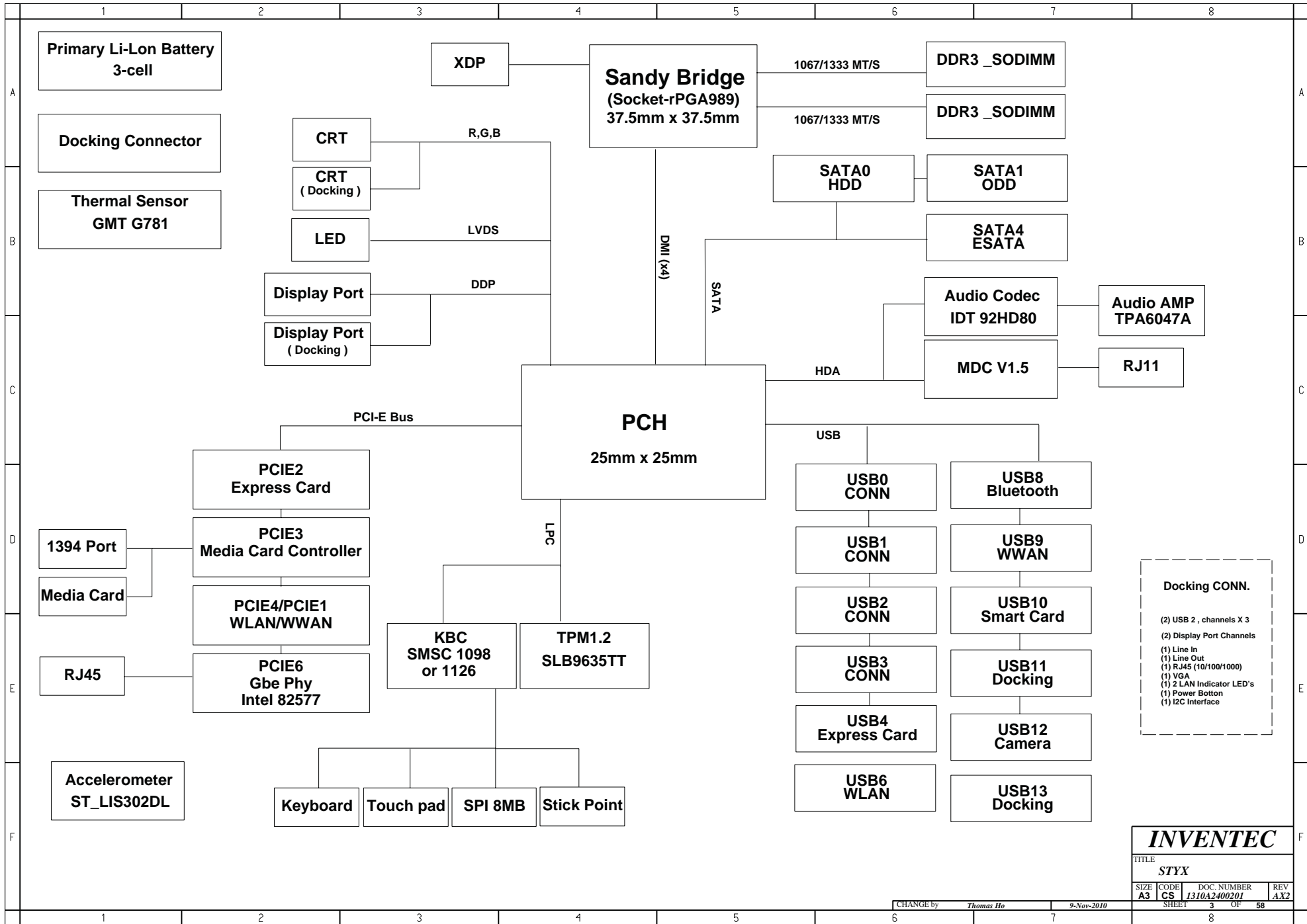
DRAWER	EE	DATE	POWER	DATE	INVENTEC
DESIGN					
CHECK					
RESPONSIBLE					
TITLE					STYX
SIZE =	3	VER :			
FILE NAME :	XXXX-XXXXXX-XX				SIZE A3 CODE CS DOC. NUMBER 1310A2400201 REV AX2
P/N	XXXXXXXXXXXX				SHEET 1 OF 58

1	2	3	4	5	6	7	8
---	---	---	---	---	---	---	---

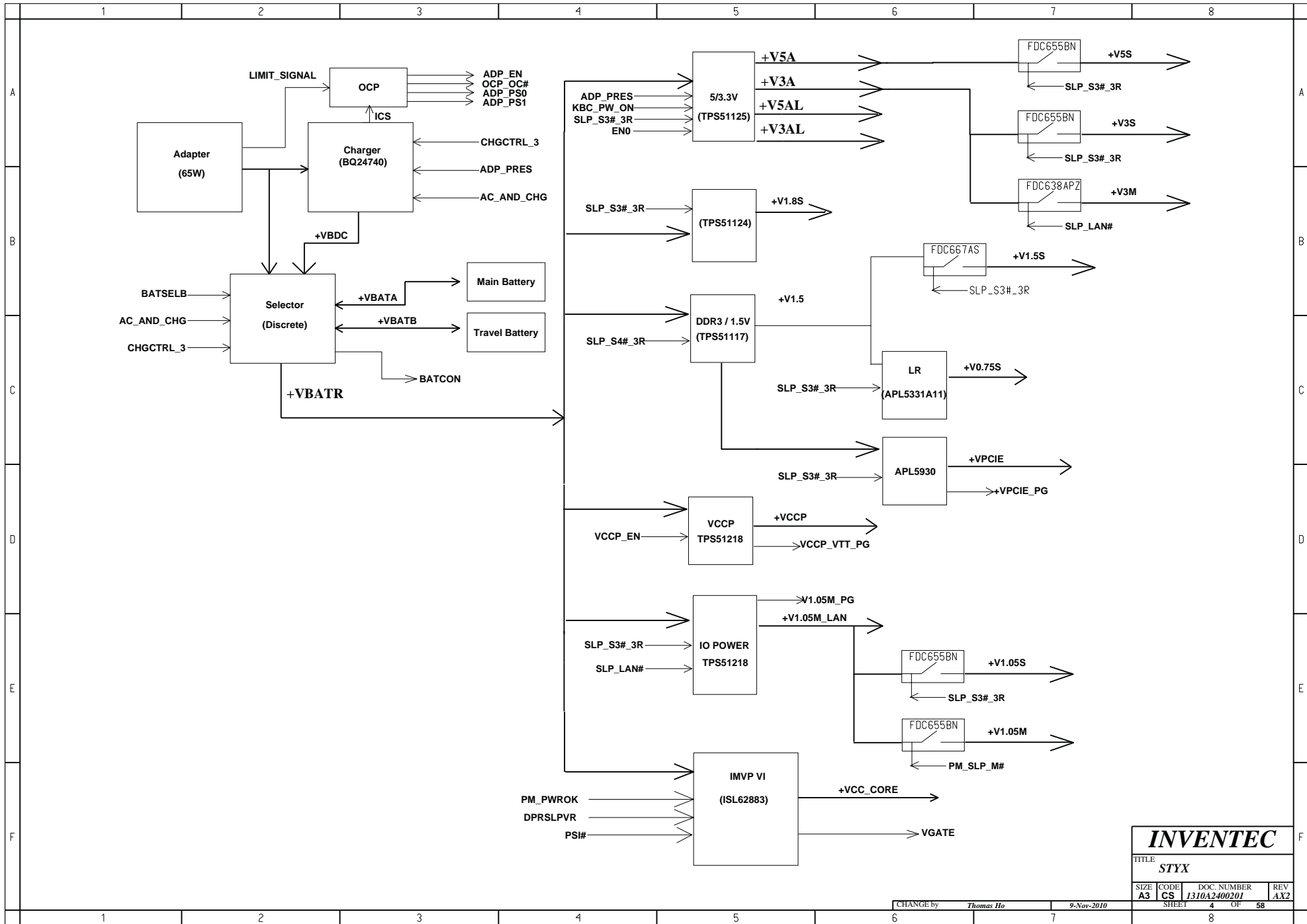
TABLE OF CONTENTS

5- DC& BATTERY CHARGER	27- PCH1
6- SELECT & BATTERY CONN	28- PCH2
7- SYSTEM POWER(3V/5V)	29- PCH3
8- SYSTEM POWER(+V1.5/+V1.05M_LAN)	30- PCH4
9- POWER(+V1.8S)	31- PCH5
10- SYSTEM POWER(+VCCP)	32- PCH6
11- CPU POWER(+V0.85S)	33- PCH7-POWER
12- CPU POWER(+VCC_CORE)	34- PCH8-POWER
13- CPU POWER(+VGFX)	35- PCH9
14- POWER(SLEEP)	36- CRT / DISPLAY PORT CNTR
15- POWER(SEQUENCE)	37- EDP & WEBCAM
16- FAN & THERMAL	38- SATA & ODD CNTR
17- XDP CONN	39- USB & ESATA COMBO
18- SANDY BRIDGE1	40- BLANK
19- SANDY BRIDGE2	41- BLUE TOOTH & FINGER PRINTER CNTR
20- SANDY BRIDGE4	42- ACCELEMETOR
21- SANDY BRIDGE3	43- KBC / SPI
22- SANDY BRIDGE5	44- Keyboard/ Point Stick/Touch pad
23- SANDY BRIDGE6	46- LAN INTERFACE
24- DDR3-DIMM0	47- LAN RJ45 CNTR
25- DDR3-DIMM1	45- TPM/MDC
26- BLANK	48- WWAN/WLAN/SIM
	49- Docking
	50- WLAN/ WWAN / BT LED
	51- SCREW
	52-Quick button
	53-Smart card
	54-EXPRESS CARD
	55- CODEC
	56- MIC & Hearphone JACK
	57- CARD READER
	58- HALL SENSOR

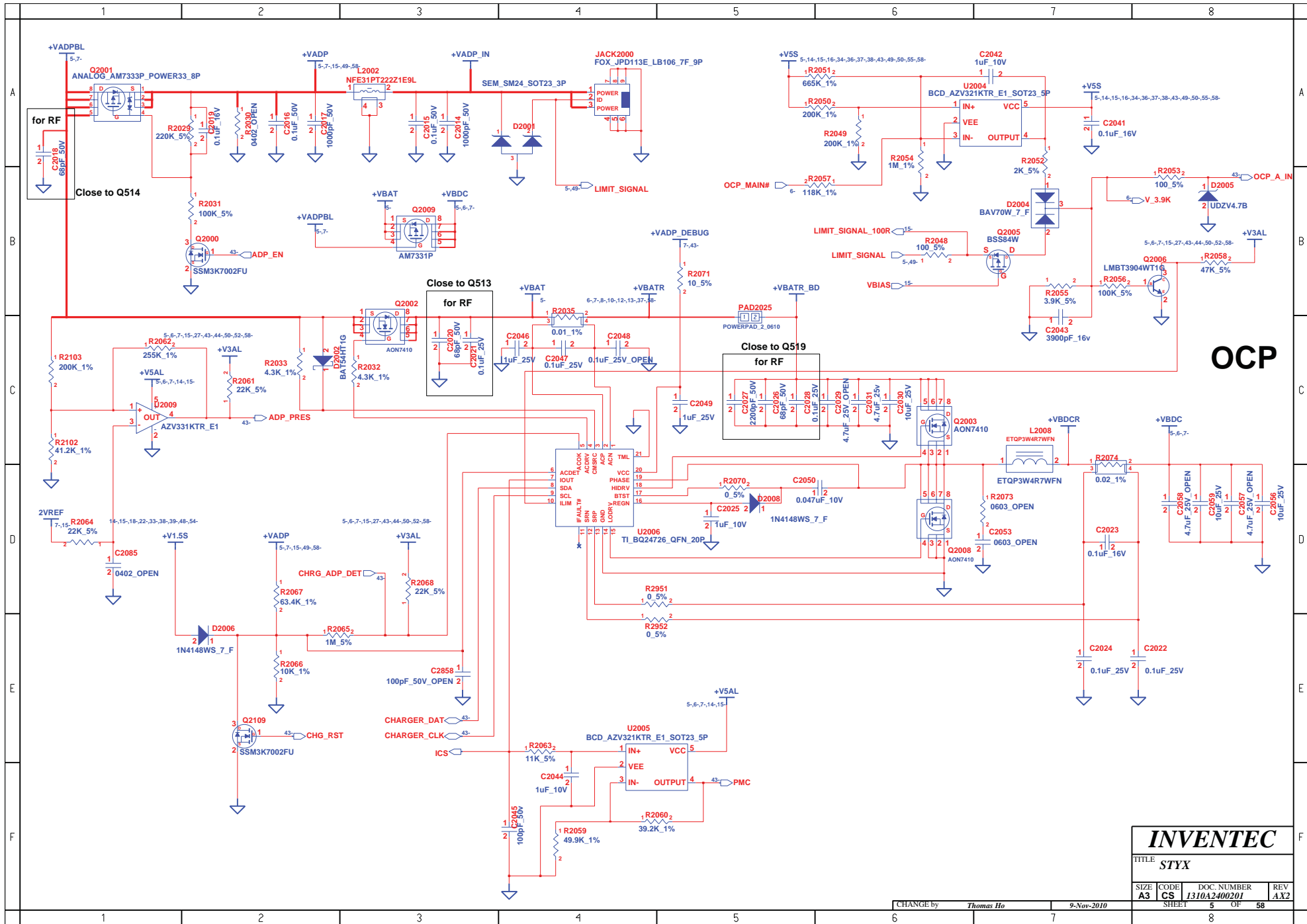
INVENTEC			
TITLE STYX			
SIZE A3	CODE CS	DOC NUMBER 1310A2400201	REV AX2
CHANGE by <i>Thomas Ho</i>		15-Nov-2010	
SHEET 2		OF 58	



INVENTEC			
TITLE			
STYX			
SIZE	CODE	DOC NUMBER	REV
A3	CS	1310A2400201	AX2
CHANGE by		9-Nov-2010	
Thomas Ho		SHEET 3 OF 58	



INVENTEC			
TITLE STYX			
SIZE A3	CODE CS	DOC. NUMBER 1310A2400201	REV AX2
CHANGE by <i>Thomas Ho</i>		9-Nov-2010	SHEET 4 OF 58



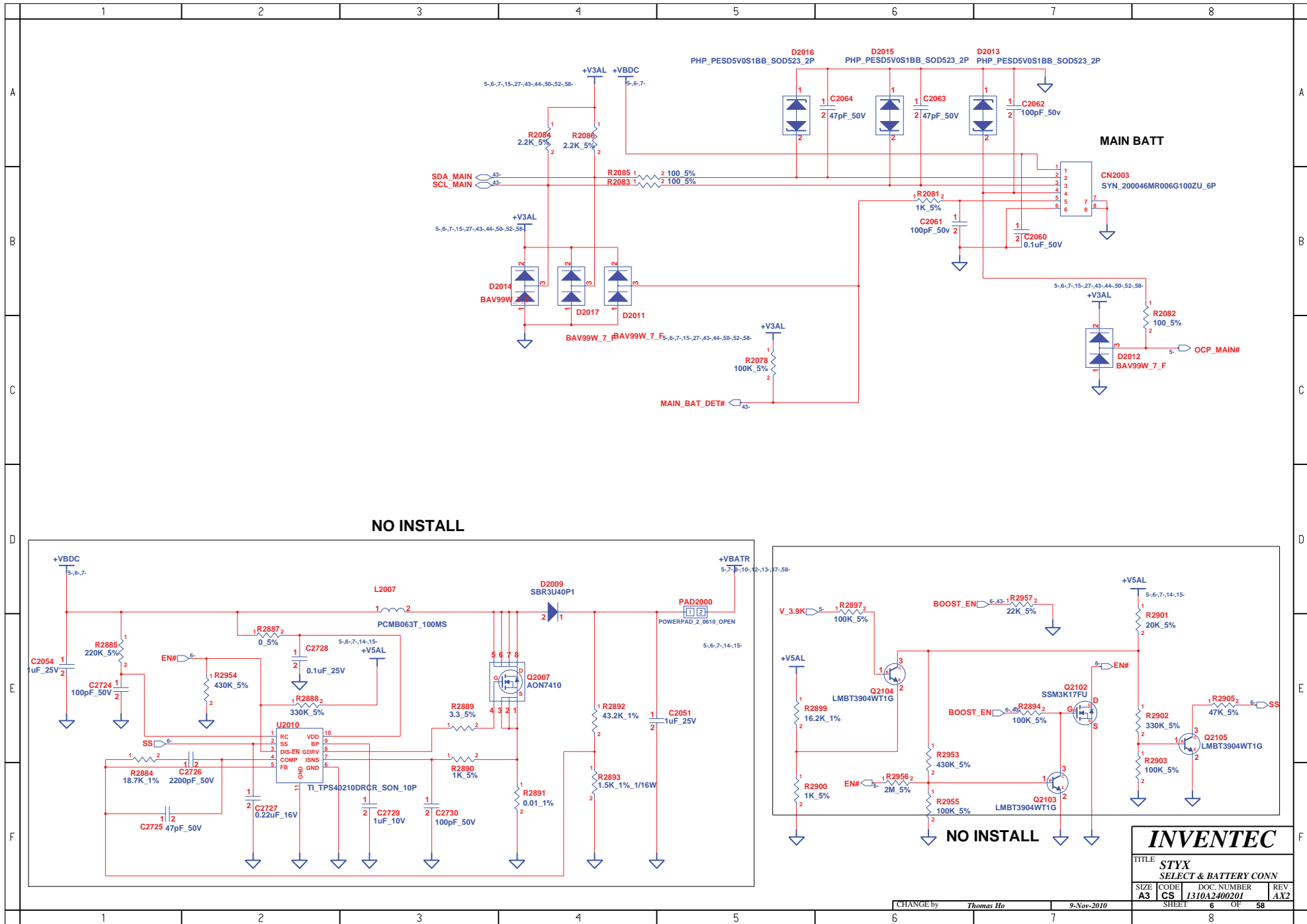
INVENTEC

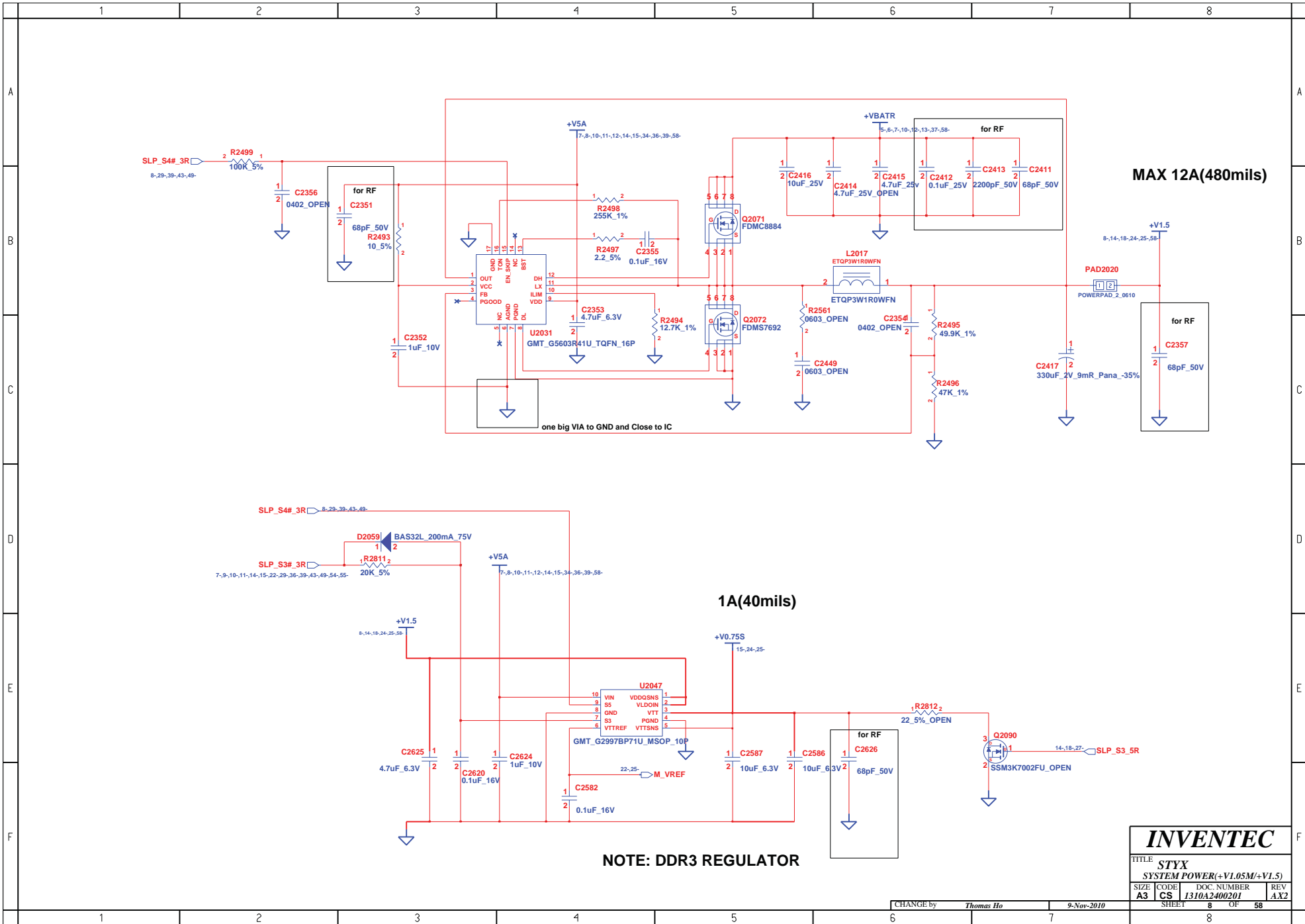
TITLE **STYX**

SIZE	CODE	DOC NUMBER	REV
A3	CS	1310A2400201	AX2

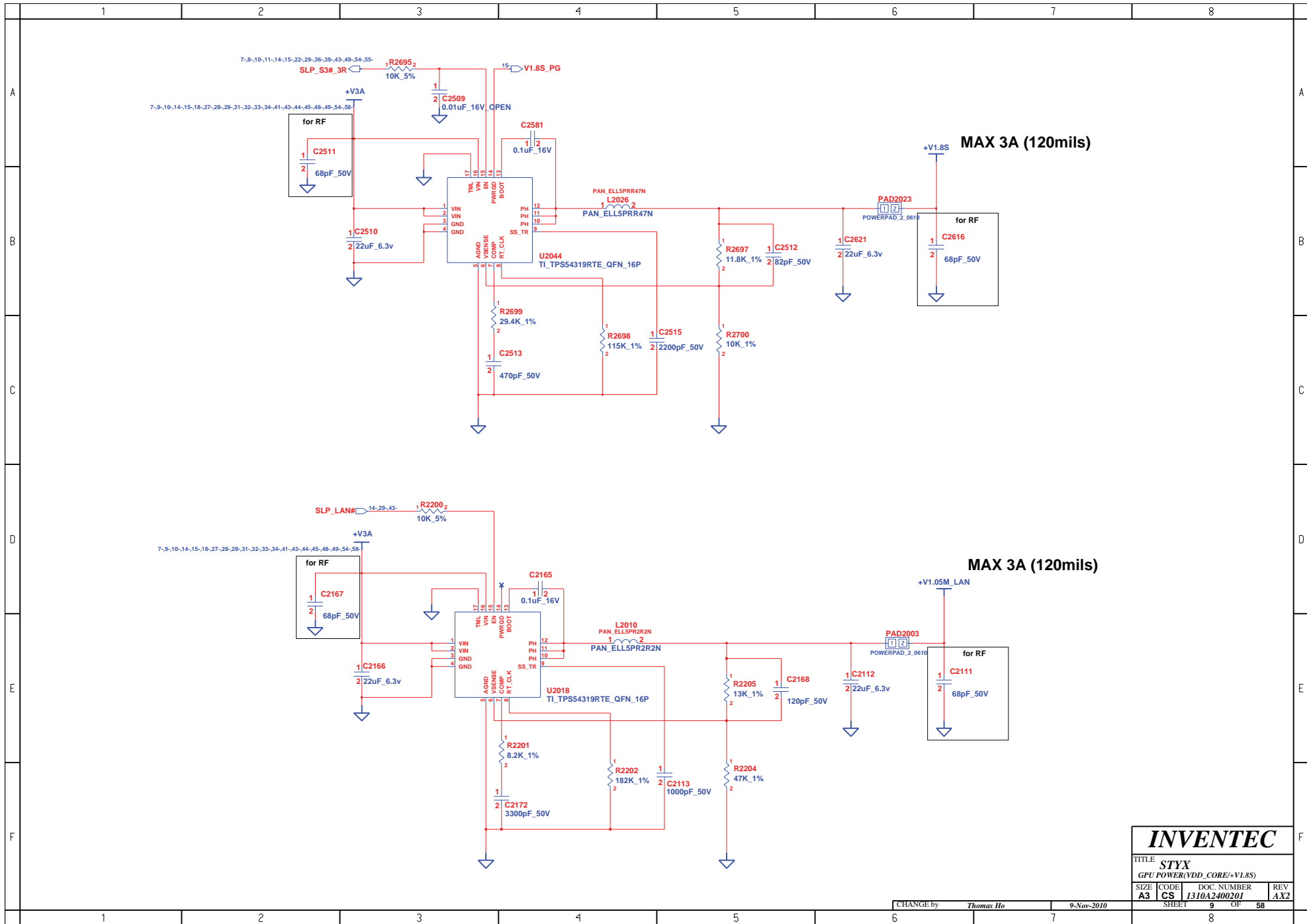
SHEET	OF
5	58

CHANGE by *Thomas Ho* 9-Nov-2010





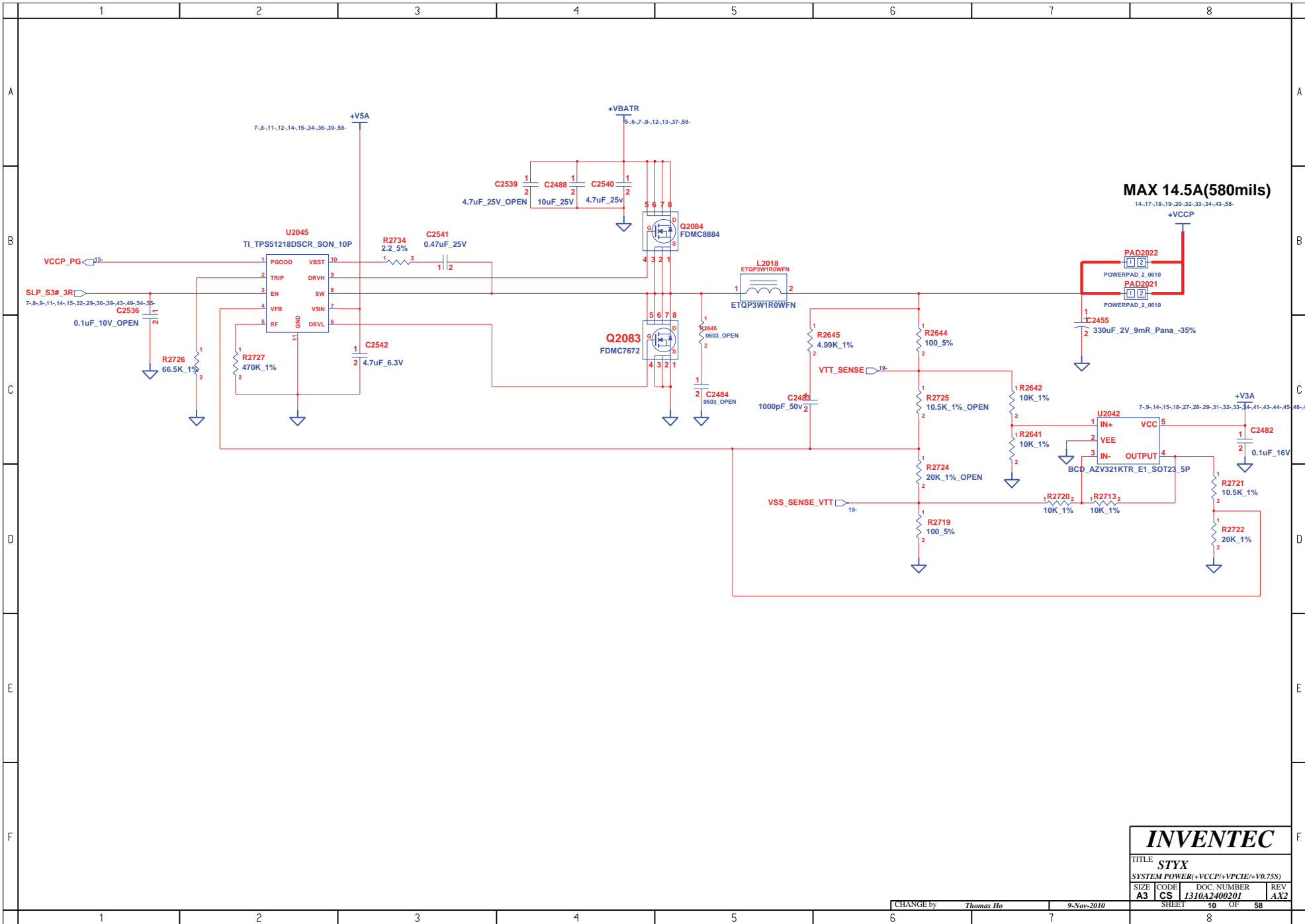
INVENTEC			
TITLE STYX			
SYSTEM POWER(+V1.05M/+V1.5)			
SIZE A3	CODE CS	DOC NUMBER J310A2400201	REV AX2
CHANGE by Thomas Ho		9-Nov-2010	
SHEET 8		OF 58	



INVENTEC

TITLE			
STYX			
GPU POWER(VDD_CORE/+V1.8S)			
SIZE	CODE	DOC NUMBER	REV
A3	CS	J310A2400201	AX2
CHANGE by		SHEET	OF
Thomas Ho		9	58

9-Nov-2010



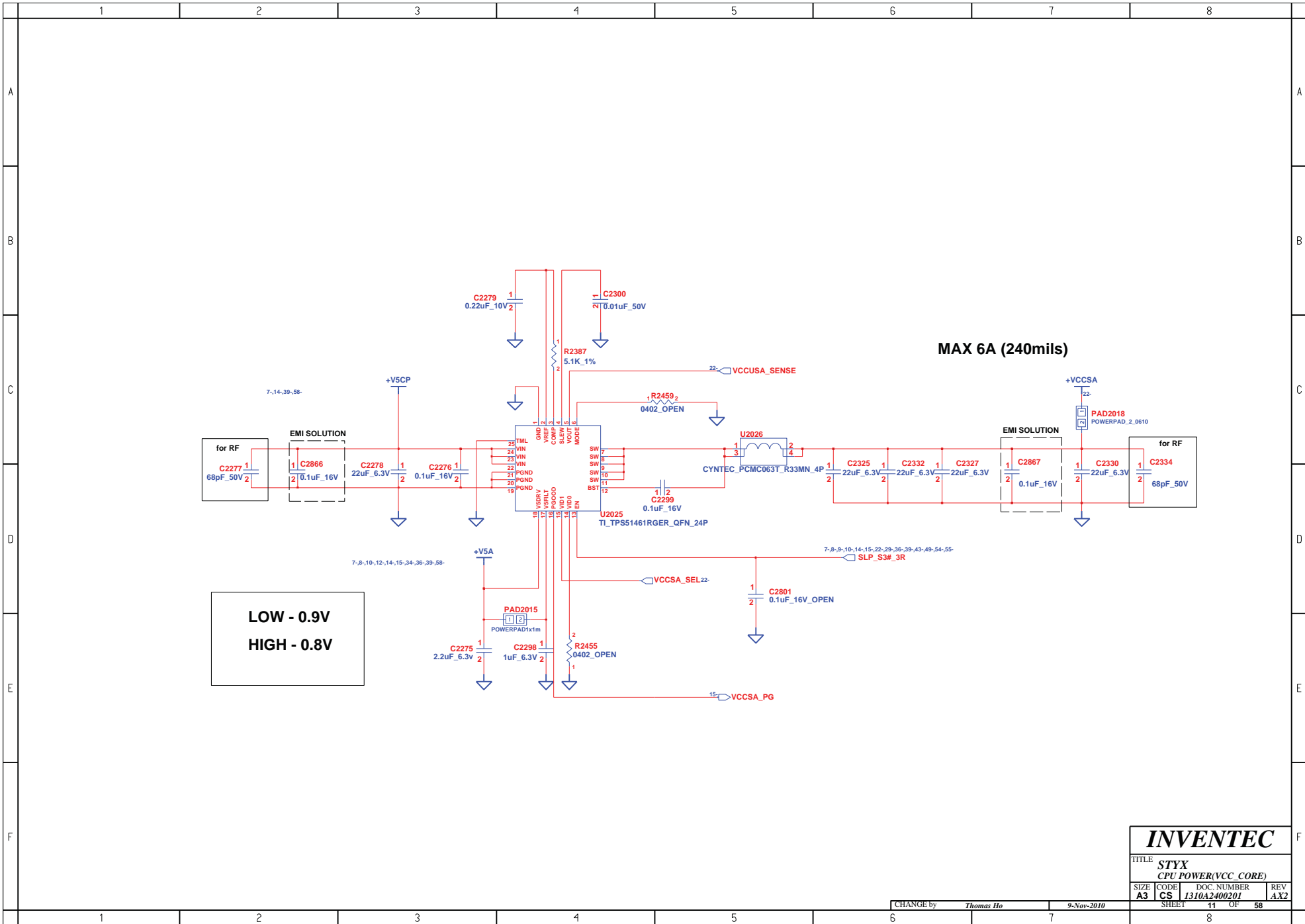
MAX 14.5A(580mils)
14-17-18-19-20-32-33-34-43-58-

INVENTEC

TITLE			
STYX			
SYSTEM POWER(+VCCP/+VPCIE/+V0.75S)			
SIZE	CODE	DOC NUMBER	REV
A3	CS	1310A2400201	AX2

CHANGE by Thomas Ho 9-Nov-2010

SHEET 10 OF 58

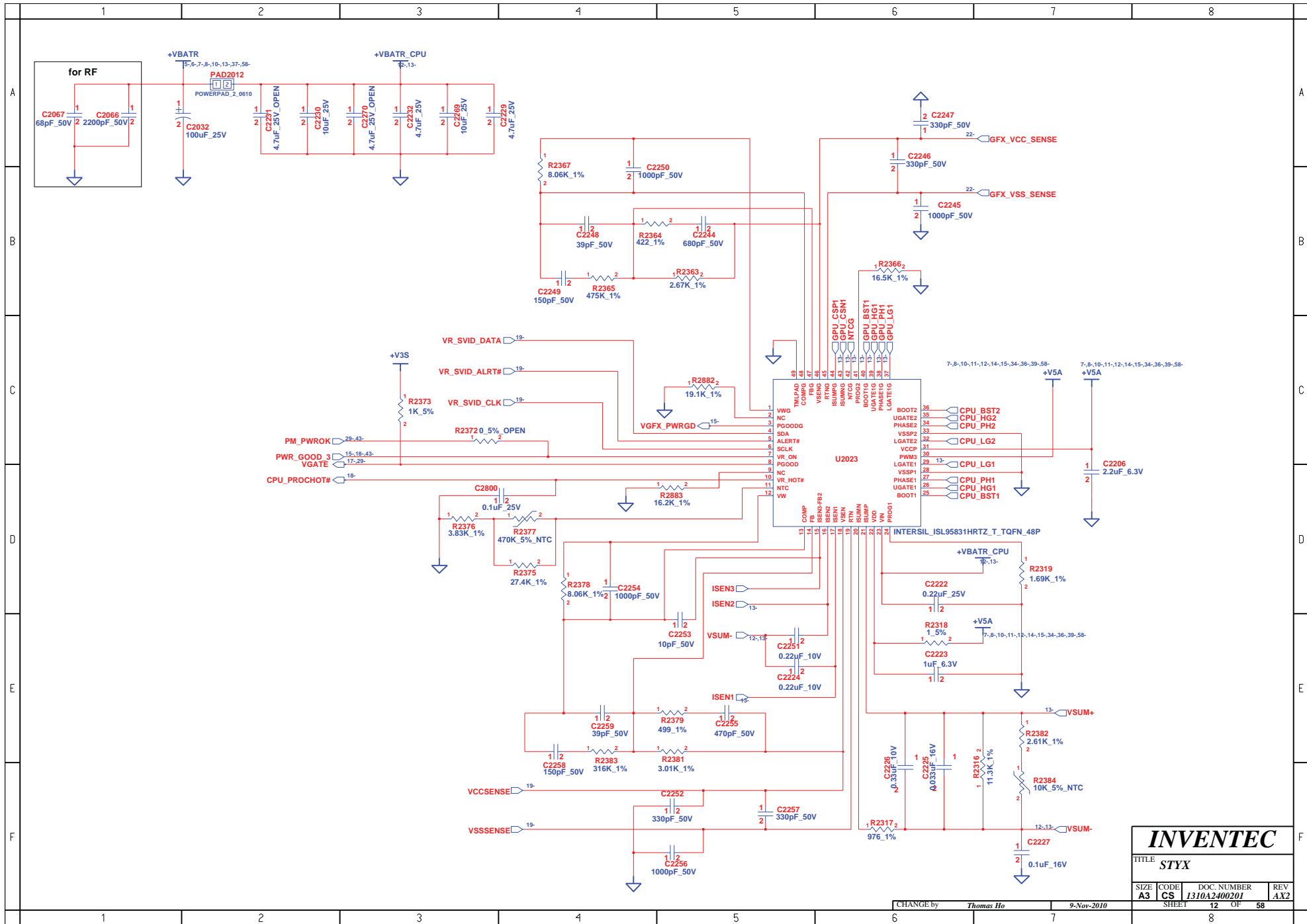


MAX 6A (240mils)

LOW - 0.9V
HIGH - 0.8V

INVENTEC			
TITLE			
STYX CPU POWER(VCC_CORE)			
SIZE	CODE	DOC NUMBER	REV
A3	CS	J310A2400201	AX2
CHANGE by		SHEET	
Thomas Ho		11 OF 58	

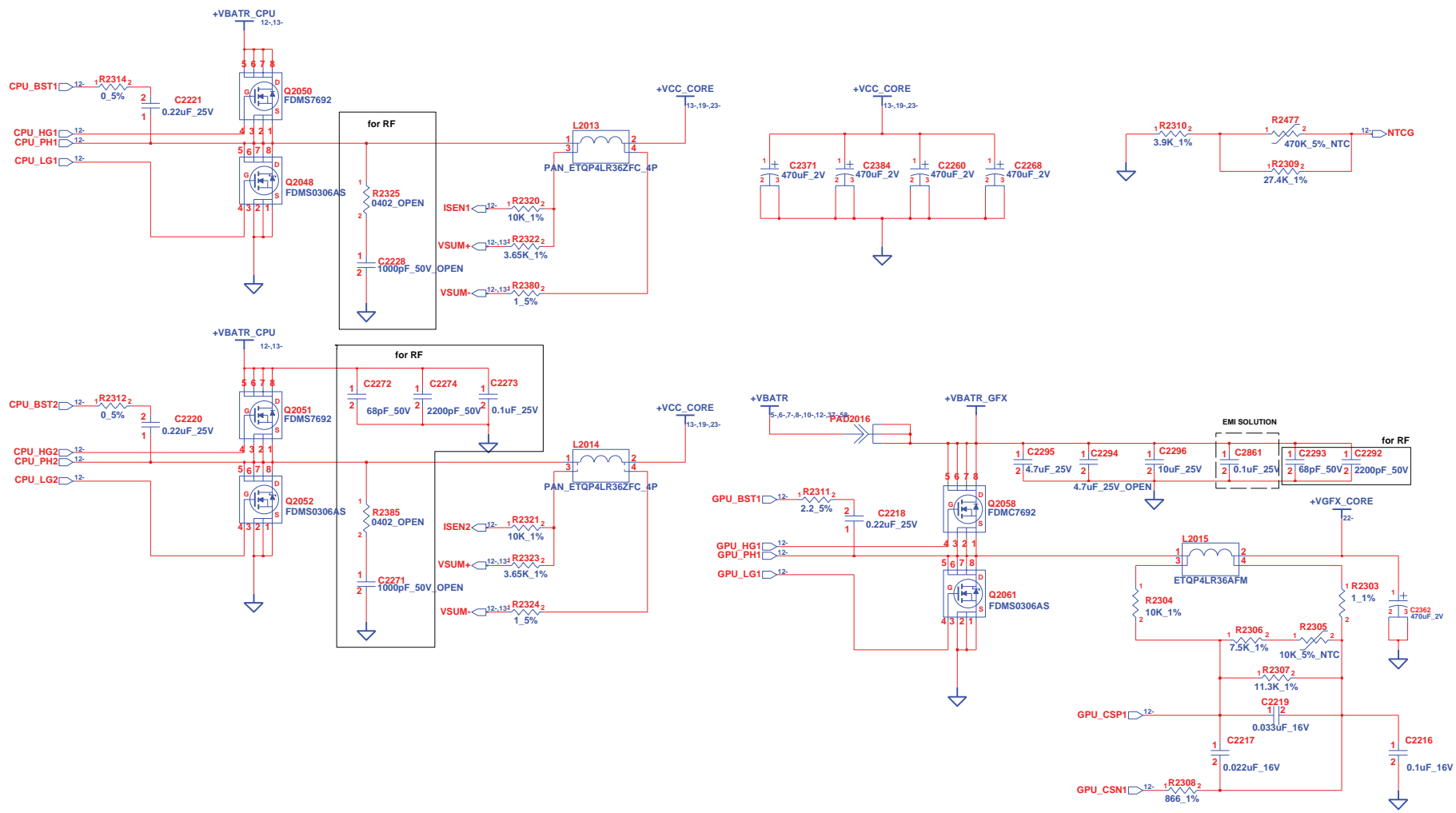
9-Nov-2010



INVENTEC			
TITLE STYX			
SIZE A3	CODE CS	DOC NUMBER J310A2400201	REV AX2
SHEET		12	OF 58

CHANGE by Thomas Ho 9-Nov-2010

VCC_CORE (SV 35W-->MAX 53A)

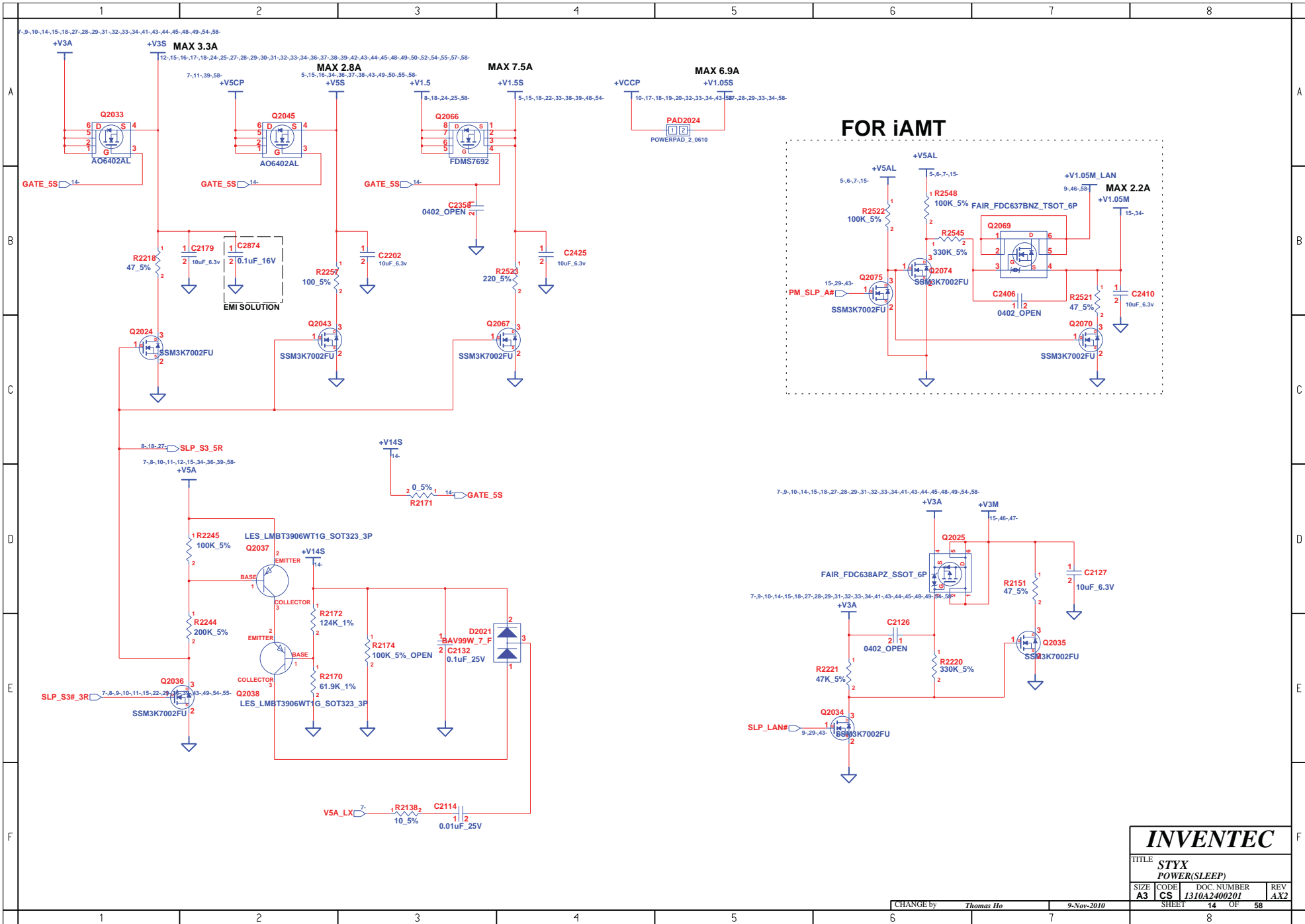


INVENTEC

TITLE STYX

SIZE A3	CODE CS	DOC NUMBER J310A2400201	REV AX2
------------	------------	----------------------------	------------

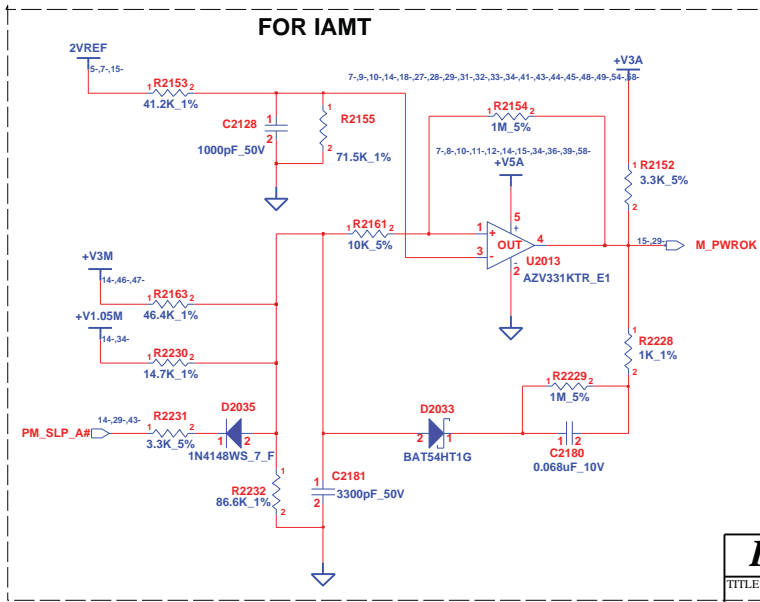
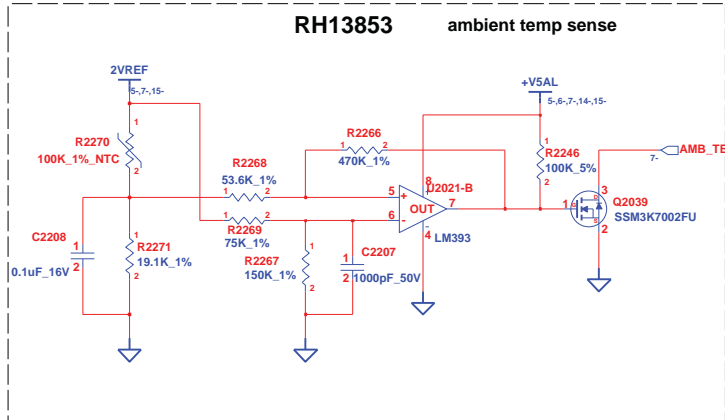
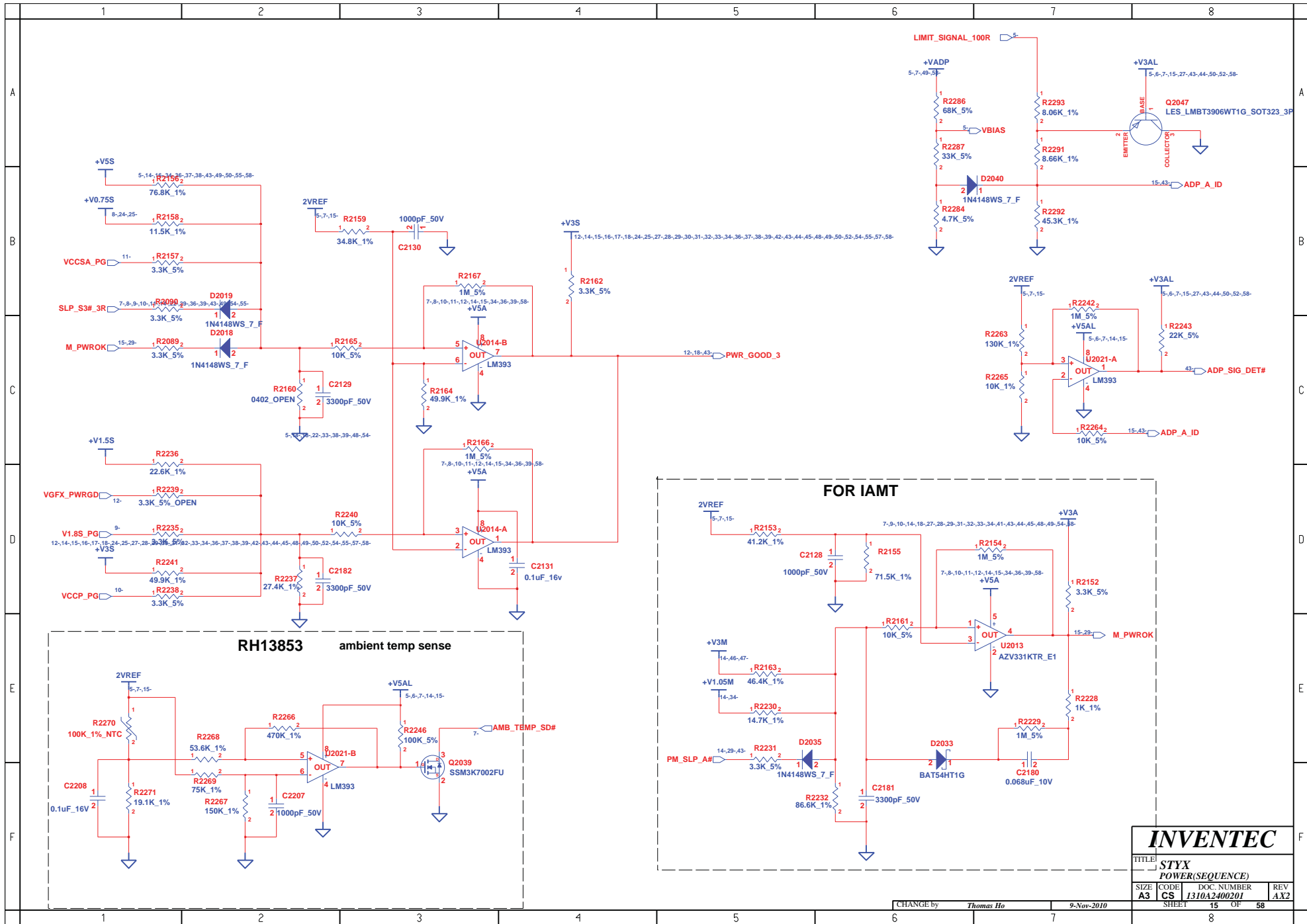
CHANGE by Thomas Ho 9-Nov-2010 SHEET 13 OF 58



INVENTEC

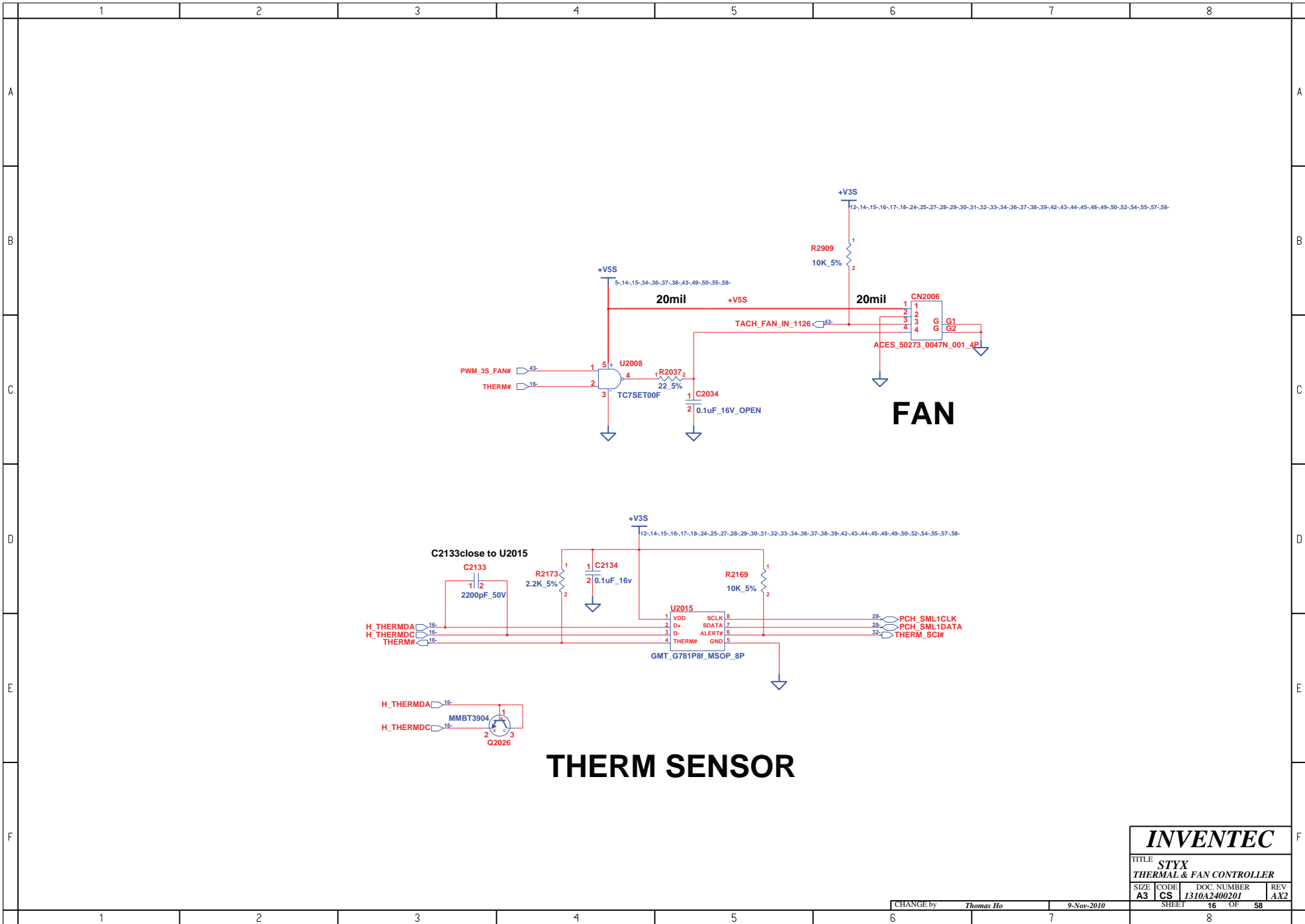
TITLE			
STYX POWER(SLEEP)			
SIZE	CODE	DOC NUMBER	REV
A3	CS	J310A2400201	AX2
SHEET		14	OF 58

CHANGE by Thomas Ho 9-Nov-2010



INVENTEC			
TITLE: STYX POWER(SEQUENCE)			
SIZE: A3	CODE: CS	DOC NUMBER: J310A2400201	REV: AX2
SHEET: 15		OF: 58	

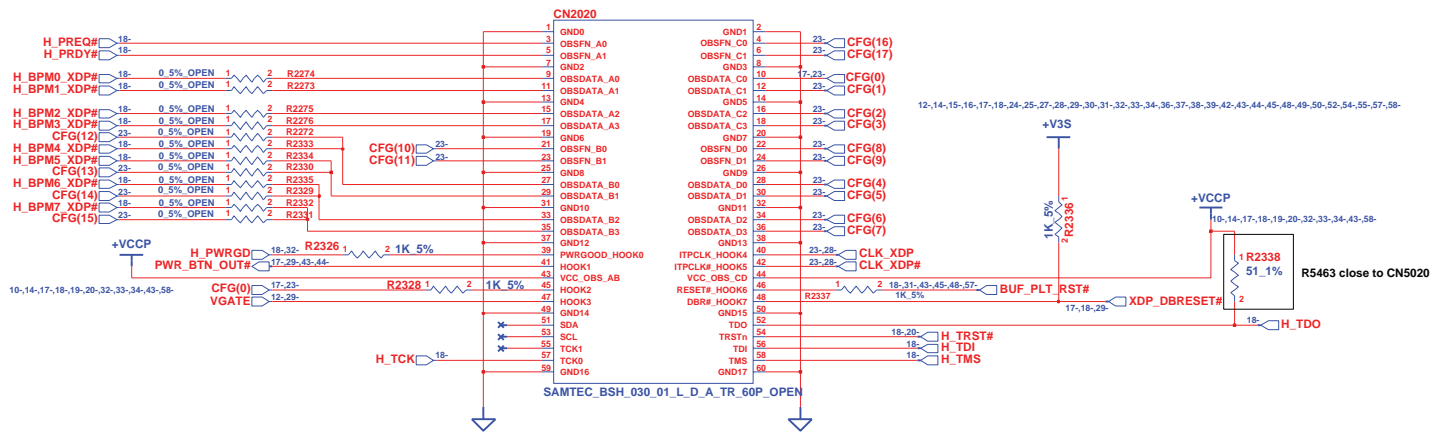
CHANGE by Thomas Ho 9-Nov-2010



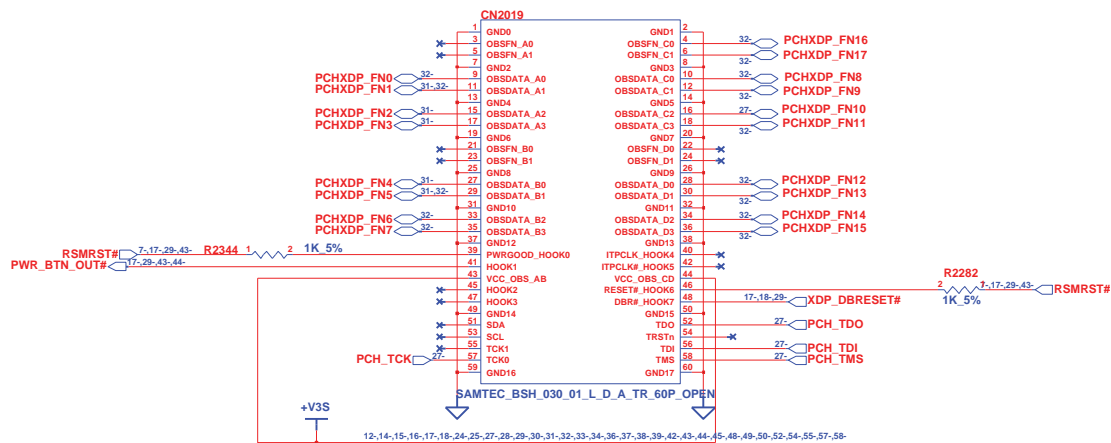
INVENTEC

TITLE			
STYX			
THERMAL & FAN CONTROLLER			
SIZE	CODE	DOC NUMBER	REV
A3	CS	J310A2400201	AX2
CHANGE by		SHEET	
Thomas Ho		16 OF 58	

9-Nov-2010



CPU XDP CONNECTOR



PCH XDP CONNECTOR

INVENTEC

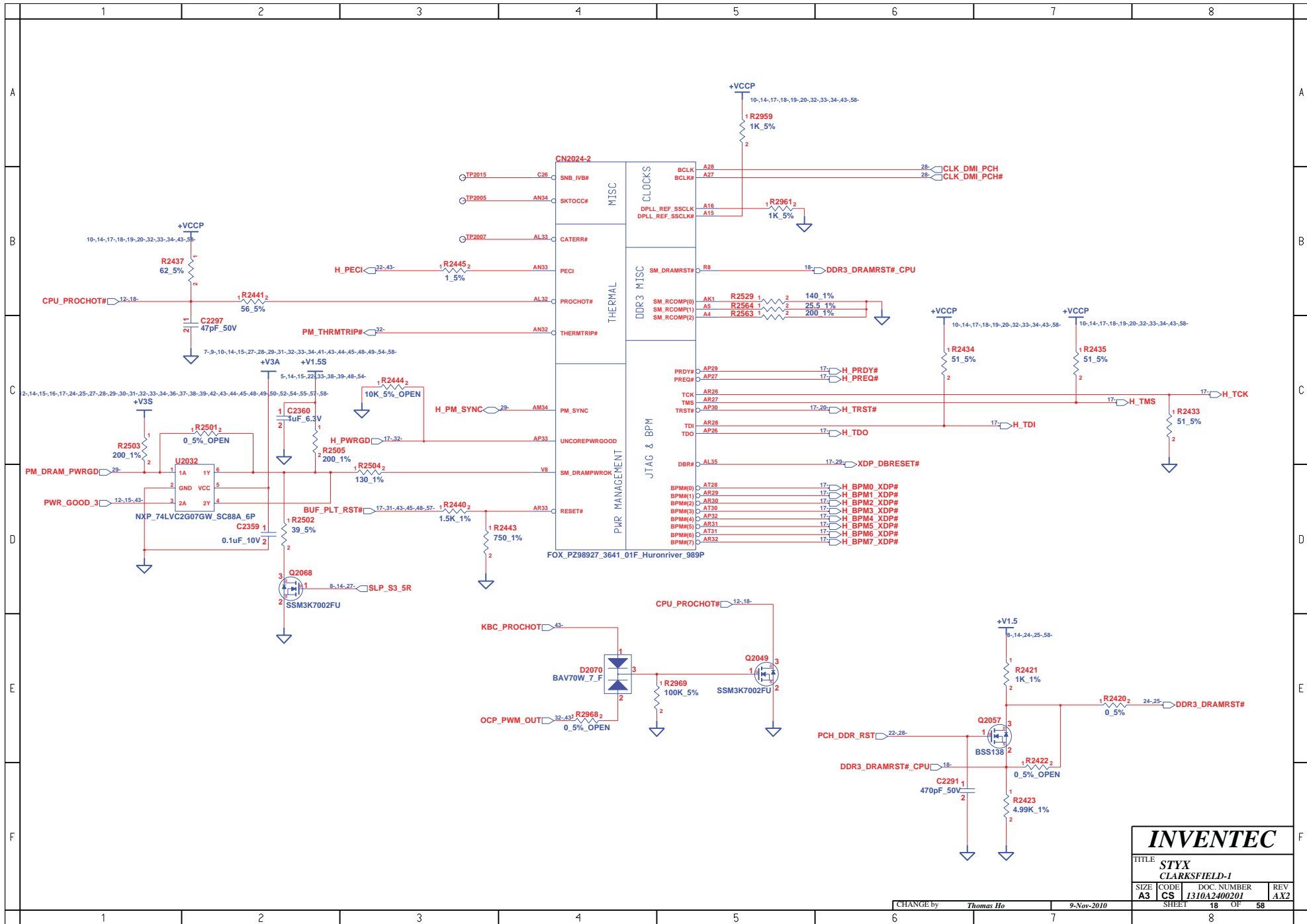
TITLE STYX

SIZE A3	CODE CS	DOC NUMBER 1310A2400201	REV AX2
CHANGE by Thomas Ho		9-Nov-2010	SHEET 17 OF 58

CHANGE by Thomas Ho

9-Nov-2010

SHEET 17 OF 58



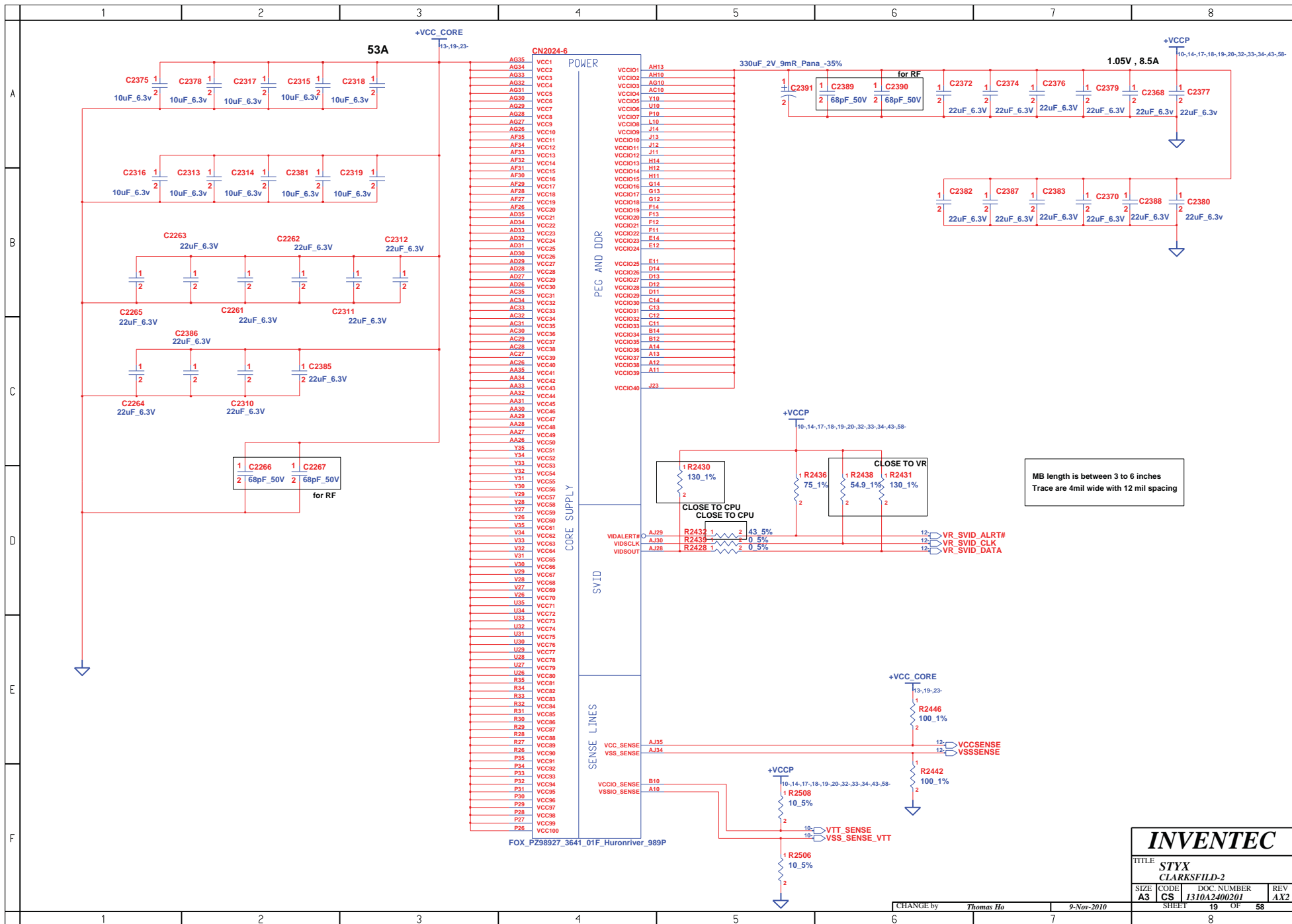
INVENTEC

TITLE
**STYX
 CLARKSFIELD-1**

SIZE A3	CODE CS	DOC NUMBER 1310A2400201	REV AX2
-------------------	-------------------	-----------------------------------	-------------------

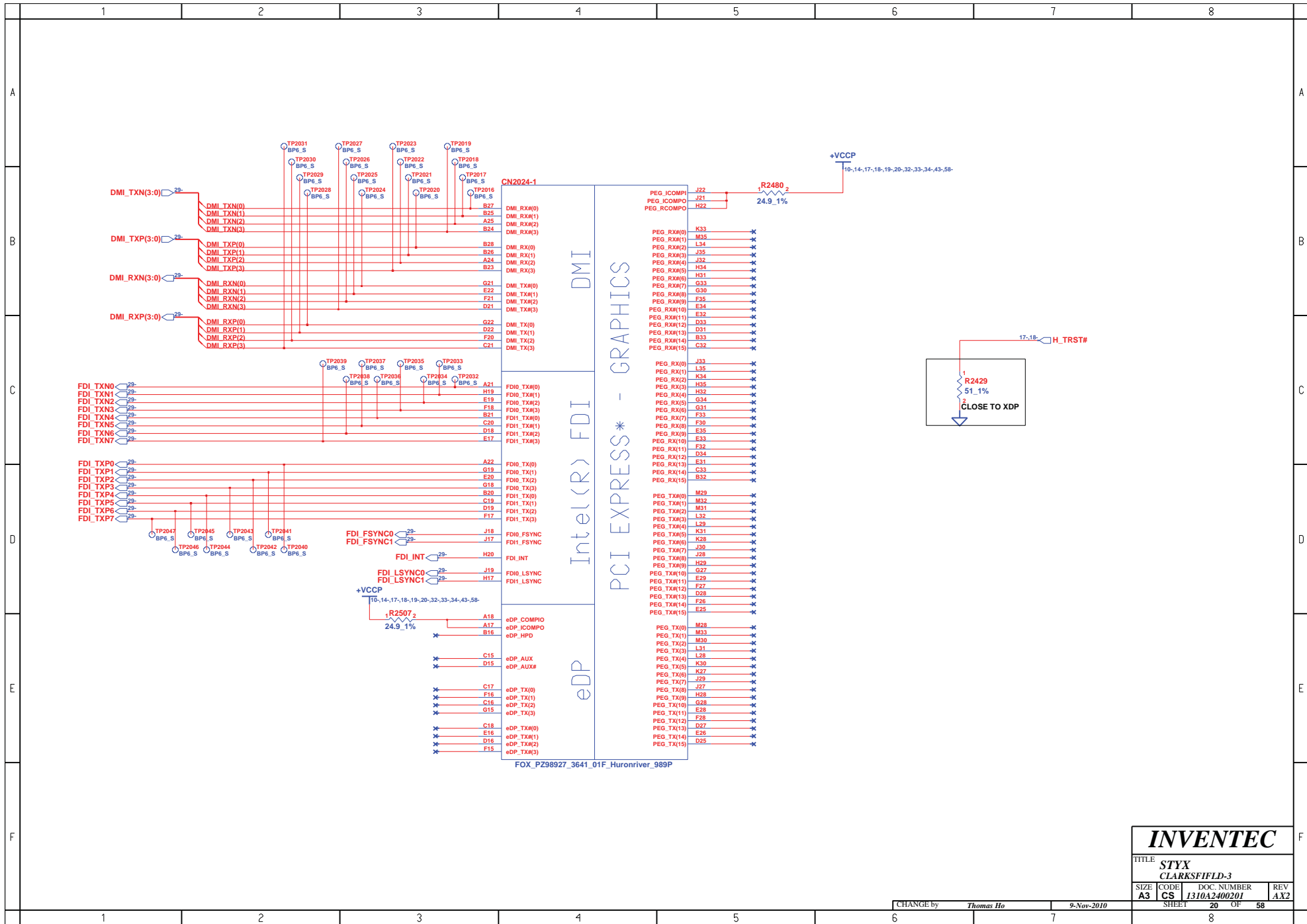
CHANGE by *Thomas Ho* 9-Nov-2010

SHEET 18 OF 58



MB length is between 3 to 6 inches
Trace are 4mil wide with 12 mil spacing

INVENTEC			
TITLE STYX CLARKSFILD-2			
SIZE A3	CODE CS	DOC NUMBER 1310A2400201	REV AX2
CHANGE by Thomas Ho		9-Nov-2010	
SHEET 19		OF 58	



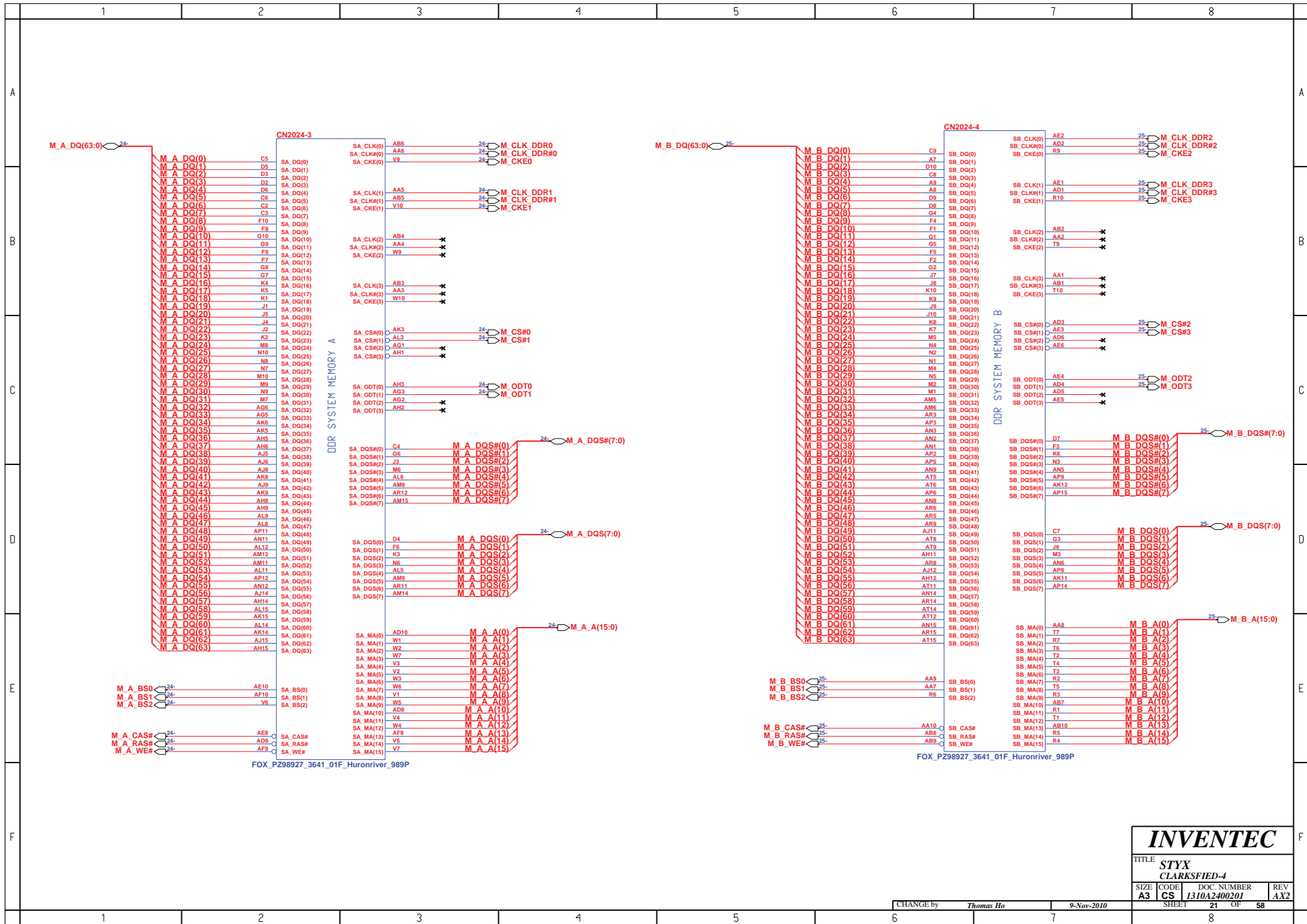
INVENTEC

TITLE
STYX
CLARKSFIFLD-3

SIZE	CODE	DOC. NUMBER	REV
A3	CS	1310A2400201	AX2

CHANGE by *Thomas Ho* 9-Nov-2010

SHEET 20 OF 58



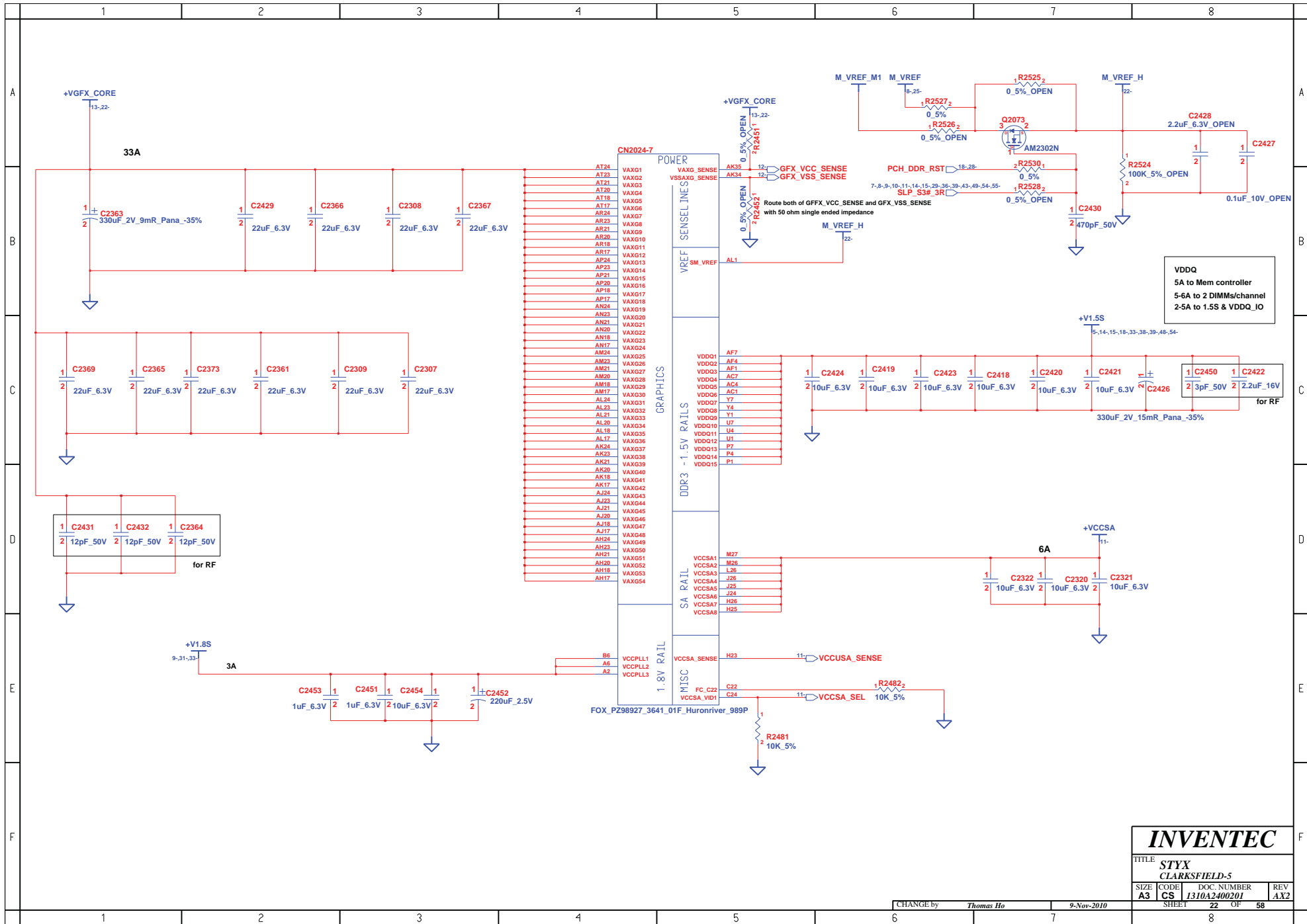
FOX_PZ98927_3641_01F_Huronriver_989P

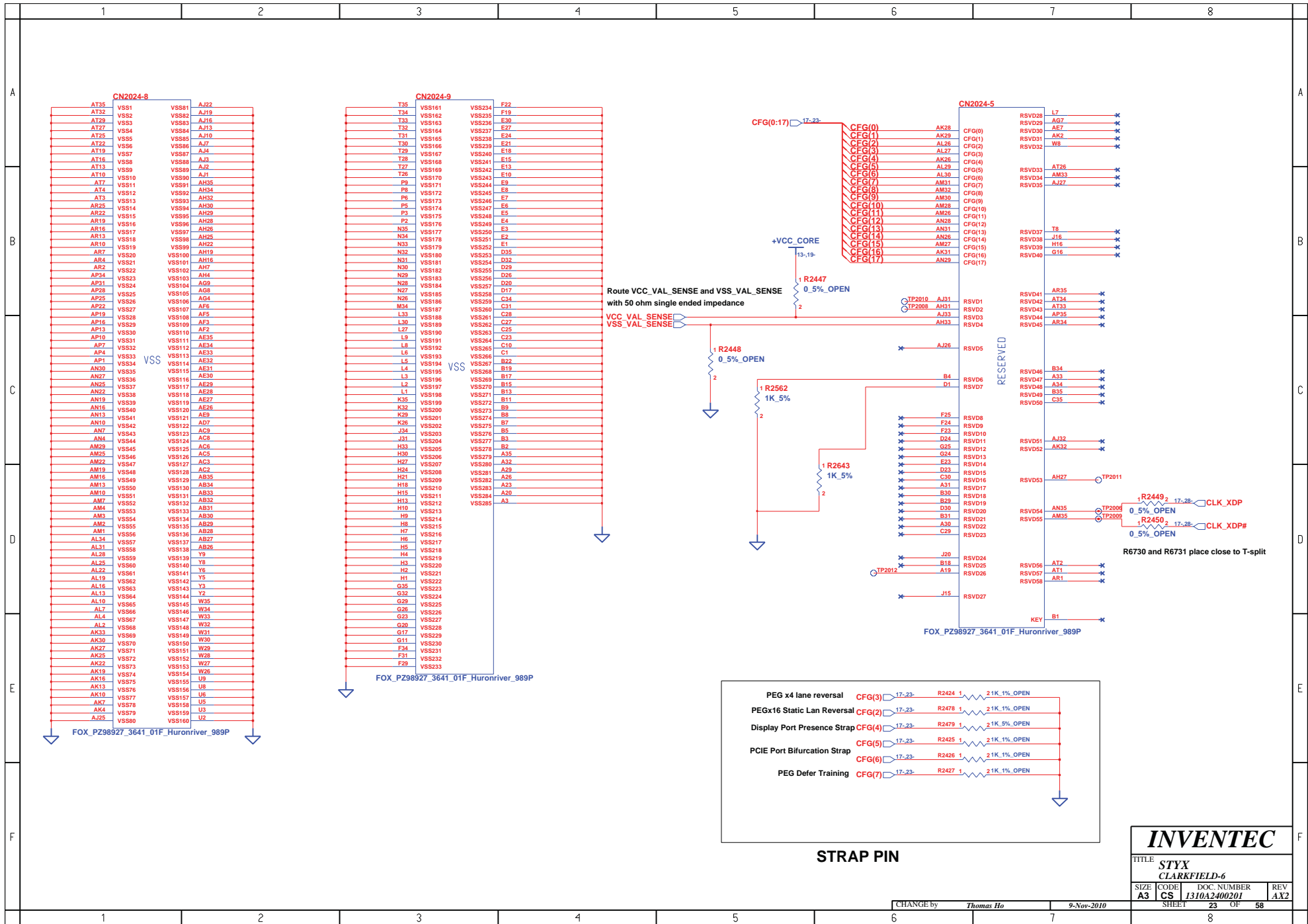
FOX_PZ98927_3641_01F_Huronriver_989P

INVENTEC

TITLE			
STYX CLARKSFIED-4			
SIZE	CODE	DOC. NUMBER	REV
A3	CS	1310A2400201	AX2
SHEET		21	OF 58

CHANGE by Thomas Ho 9-Nov-2010

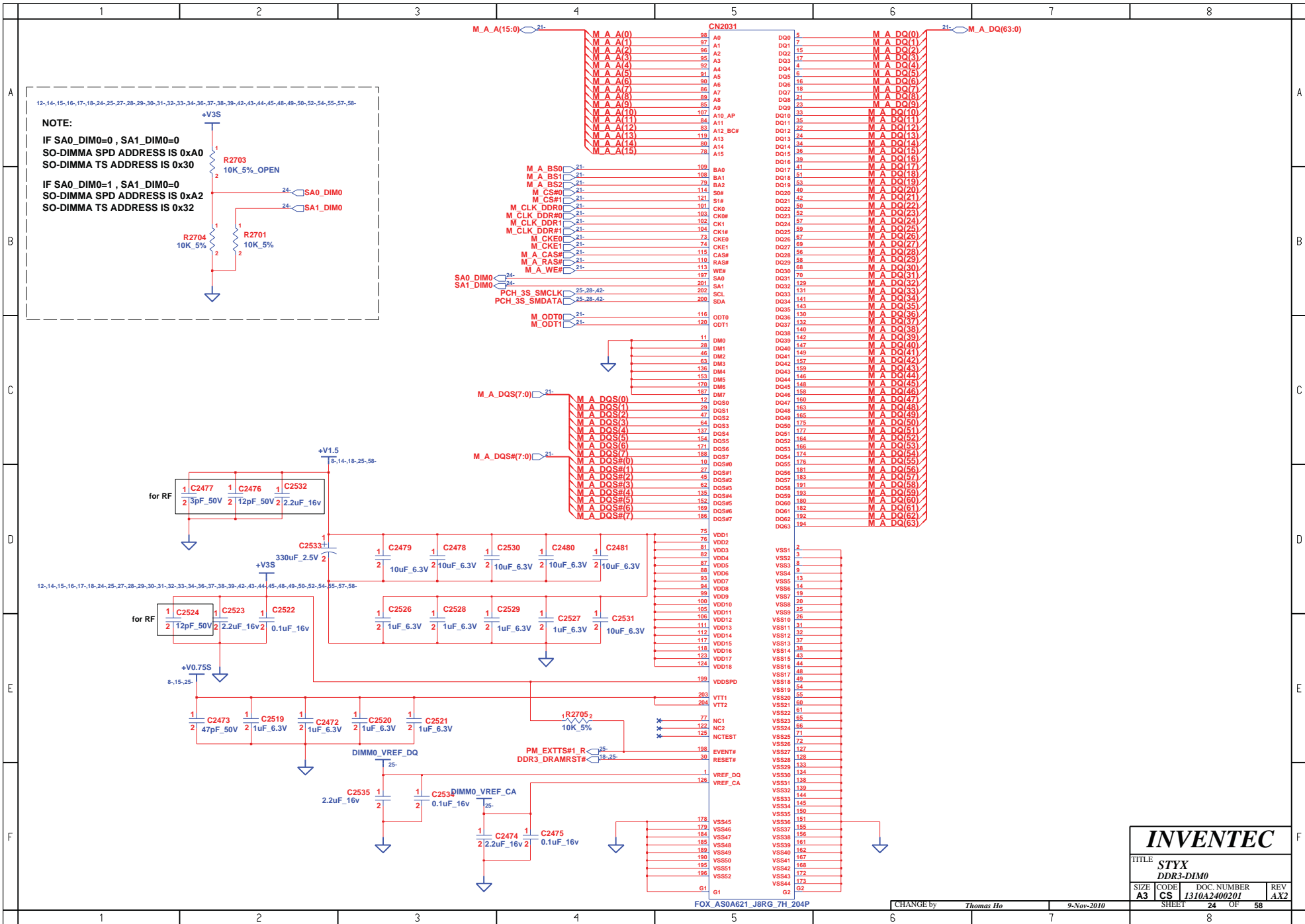




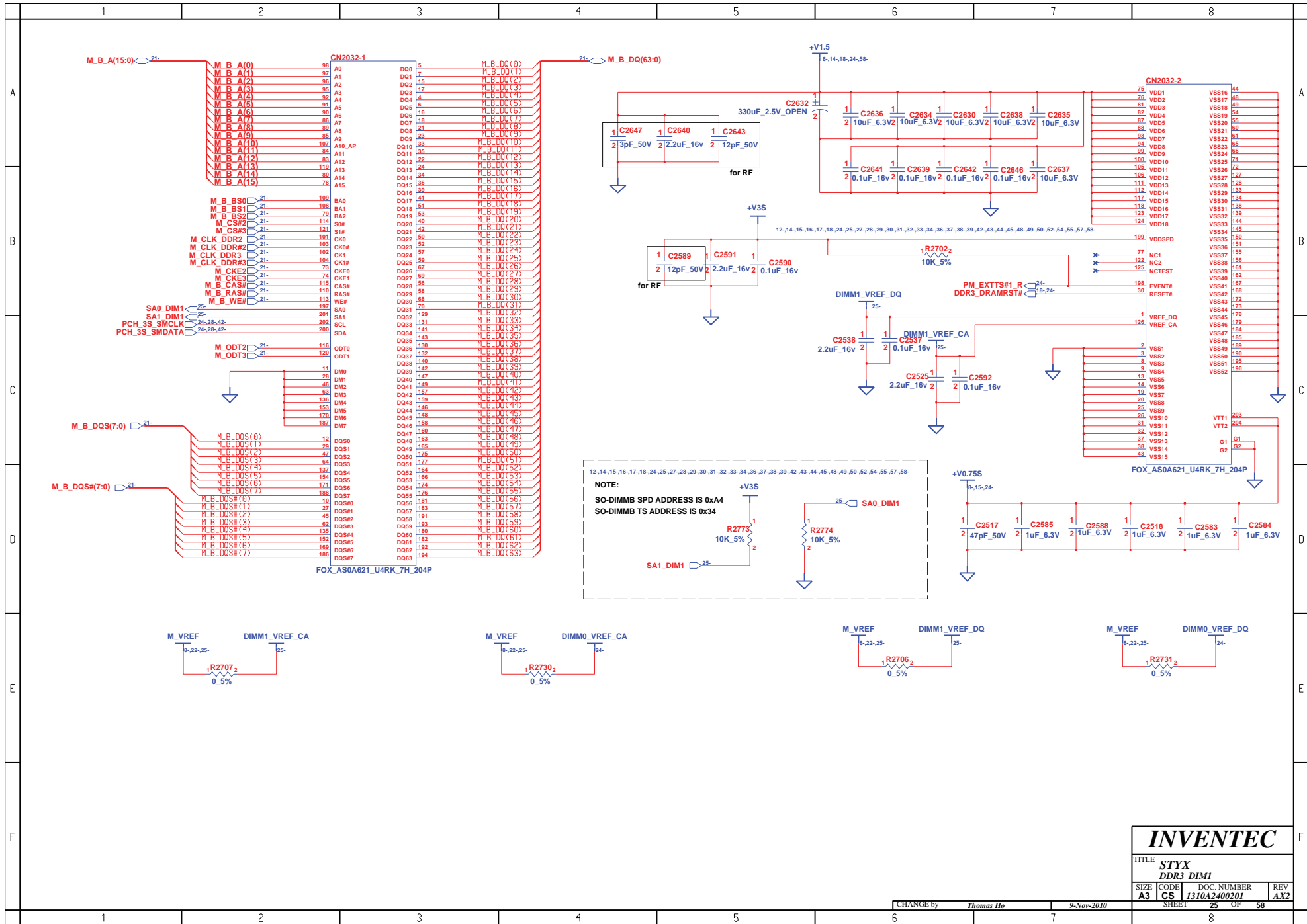
INVENTEC

TITLE
 STYX
 CLARKFIELD-6

SIZE CODE DOC. NUMBER REV
 A3 CS 1310A2400201 AX2



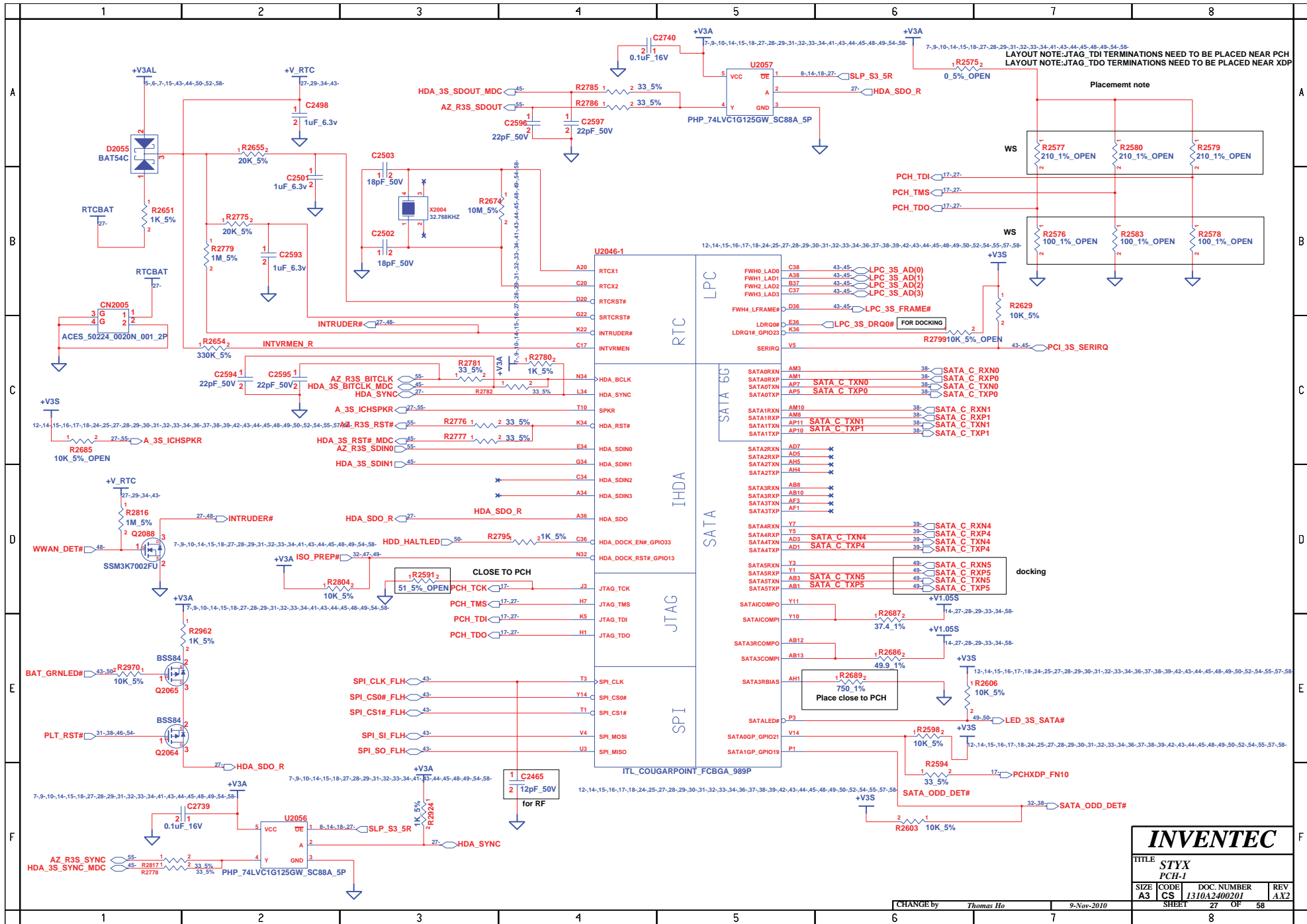
INVENTEC			
TITLE STYX DDR3-DIM0			
SIZE A3	CODE CS	DOC NUMBER 1310A2400201	REV AX2
SHEET 24		OF 58	



INVENTEC			
TITLE STYX DDR3_DIM1			
SIZE A3	CODE CS	DOC NUMBER 1310A2400201	REV AX2
CHANGE by Thomas Ho		9-Nov-2010	SHEET 25 OF 58

BLANK

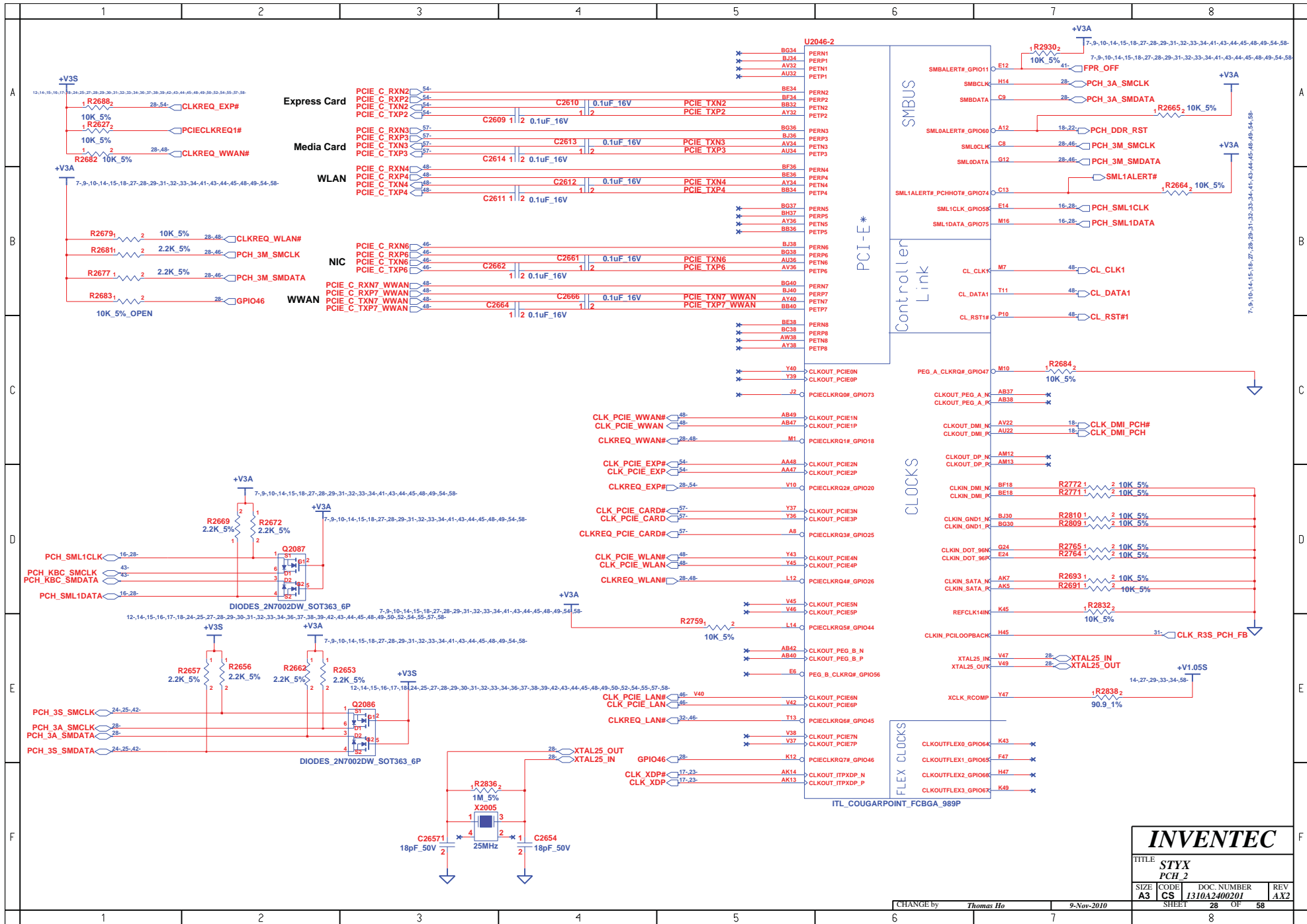
INVENTEC			
TITLE <i>STYX BLANK</i>			
SIZE A3	CODE CS	DOC NUMBER <i>1310A2400201</i>	REV AX2
CHANGE by <i>Thomas Ho</i>		9-Nov-2010	
SHEET		26	OF 58



INVENTEC

TITLE			
STYX			
PCH-1			
SIZE	CODE	DOC NUMBER	REV
A3	CS	1310A2400201	AX2
SHEET		27	OF 58

CHANGE by Thomas Ho 9-Nov-2010

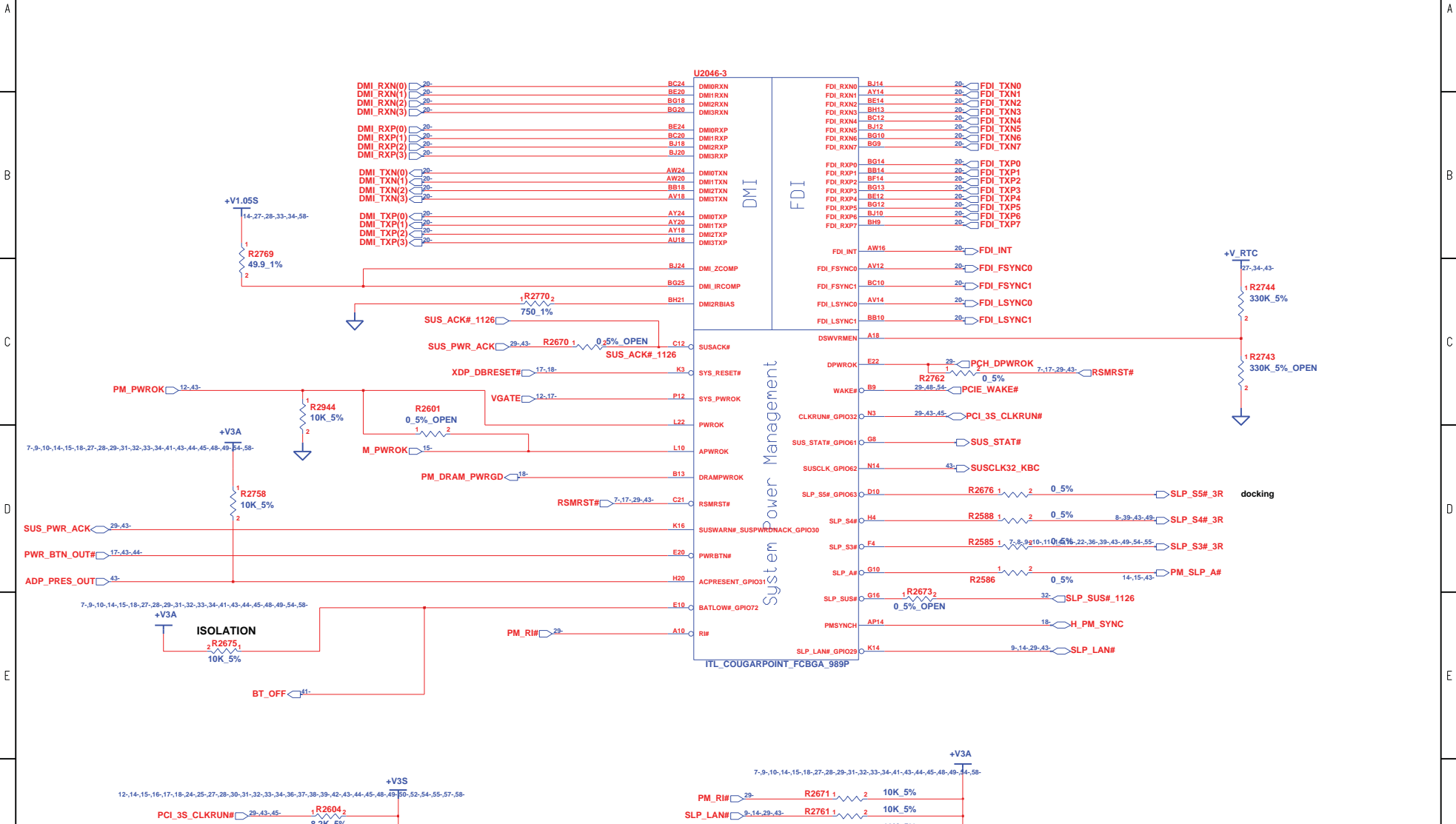


INVENTEC

TITLE			
STYX			
PCH 2			
SIZE	CODE	DOC NUMBER	REV
A3	CS	1310A2400201	AX2
SHEET		28	OF 58

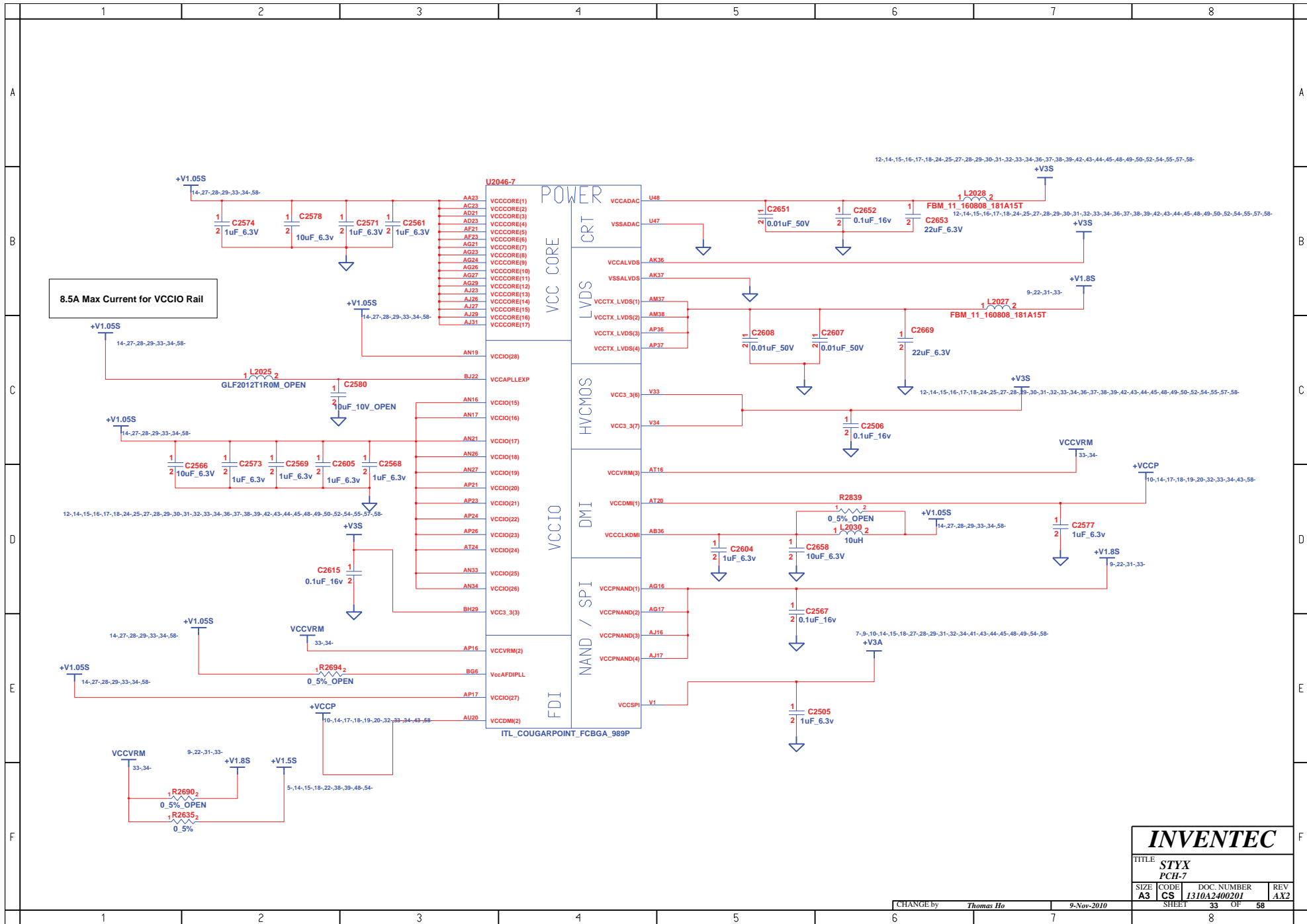
CHANGE by *Thomas Ho* 9-Nov-2010

Note: 1.SLP_SUS and SUSACK# are NC if DSW is not supported
 2.DPWROK should connect to RSMRST# if DSW not supported
 3.PCH_DPWROK pull up to +V3S enables DSW support. No install R5261 to disable DSW



INVENTEC			
TITLE STYX PCH-3			
SIZE A3	CODE CS	DOC NUMBER J310A2400201	REV AX2
SHEET		29	OF 58

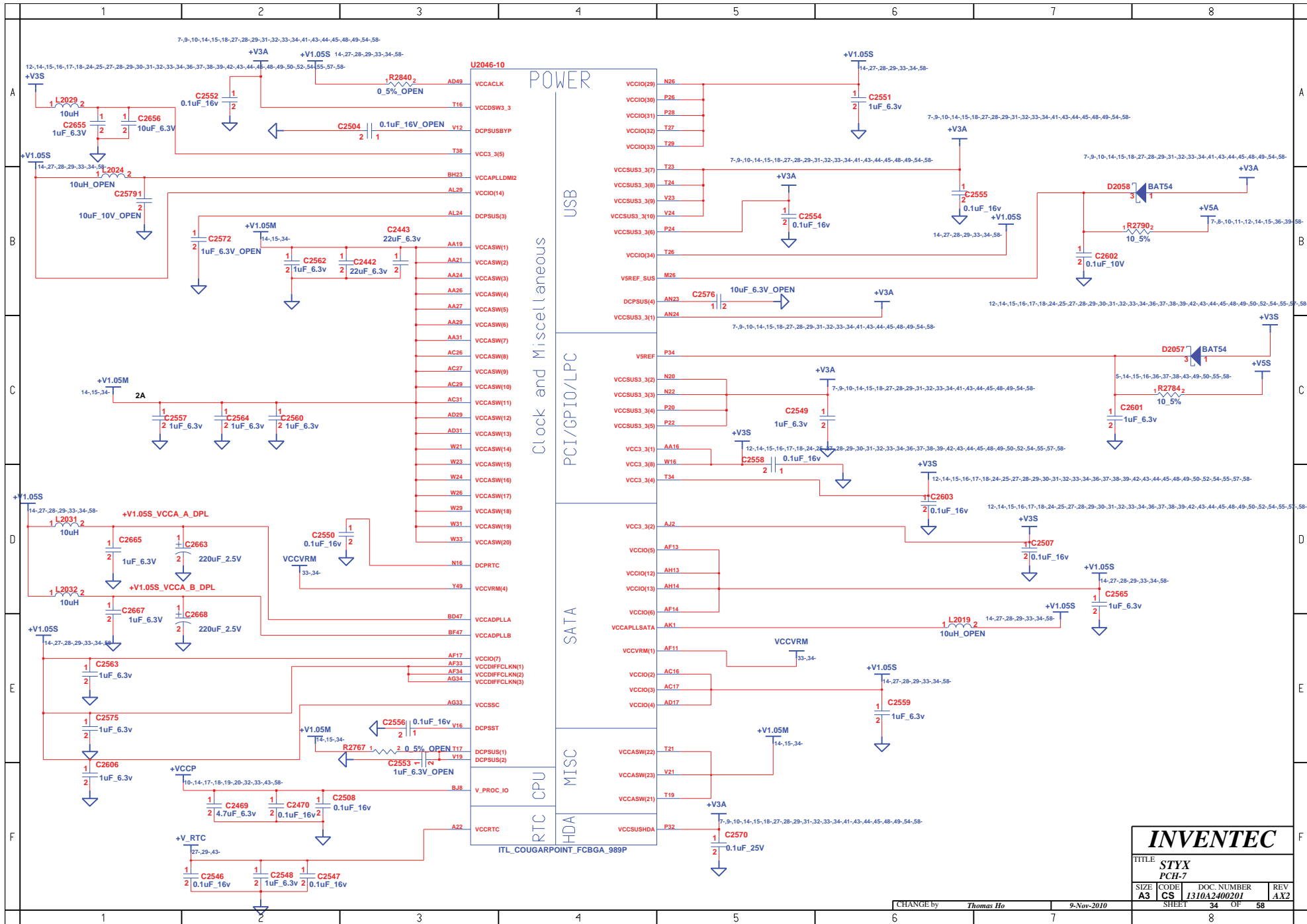
CHANGE by Thomas Ho 9-Nov-2010



INVENTEC

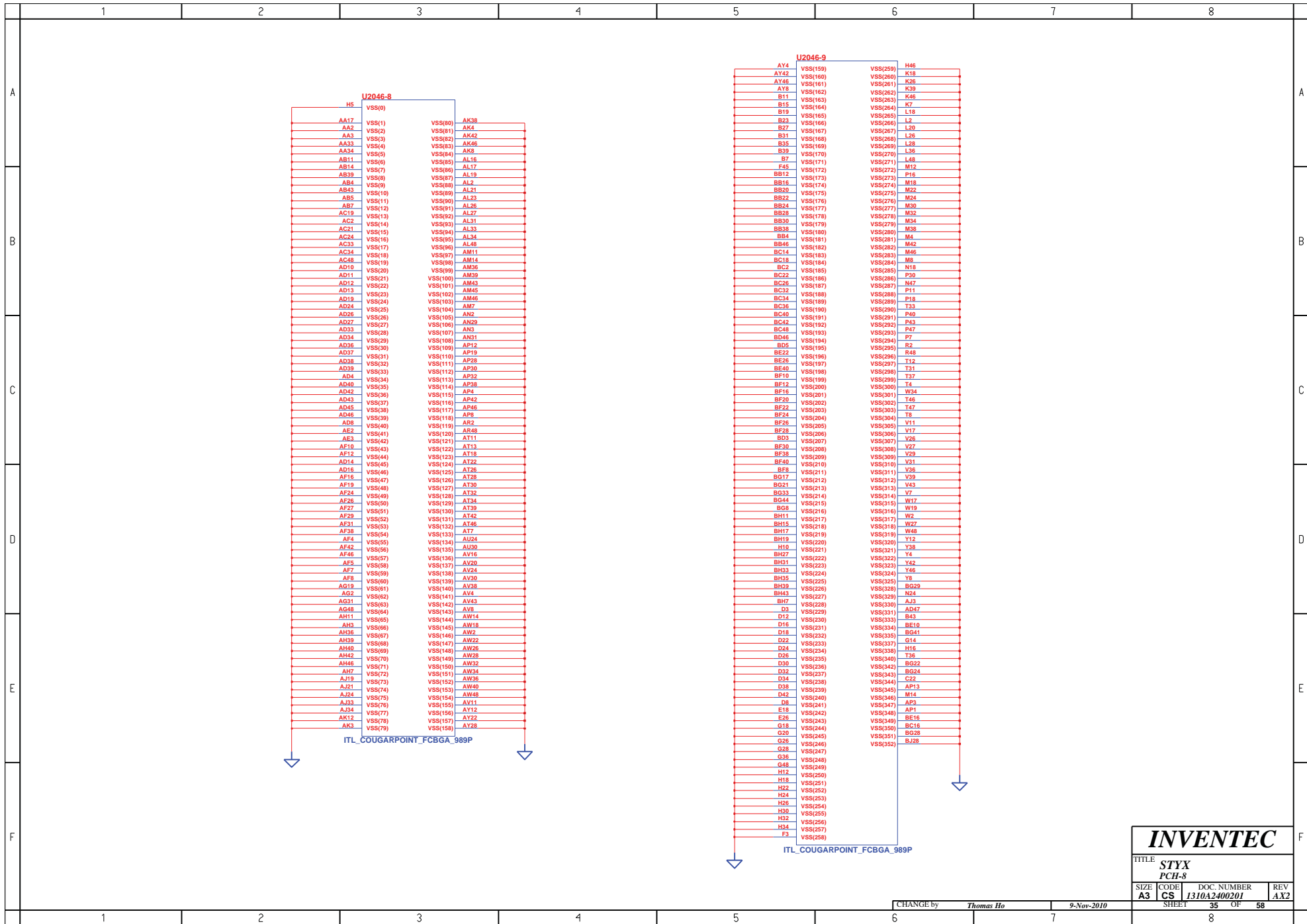
TITLE			
STYX			
PCH-7			
SIZE	CODE	DOC NUMBER	REV
A3	CS	1310A2400201	AX2
SHEET		OF	
33		58	

CHANGE by Thomas Ho 9-Nov-2010

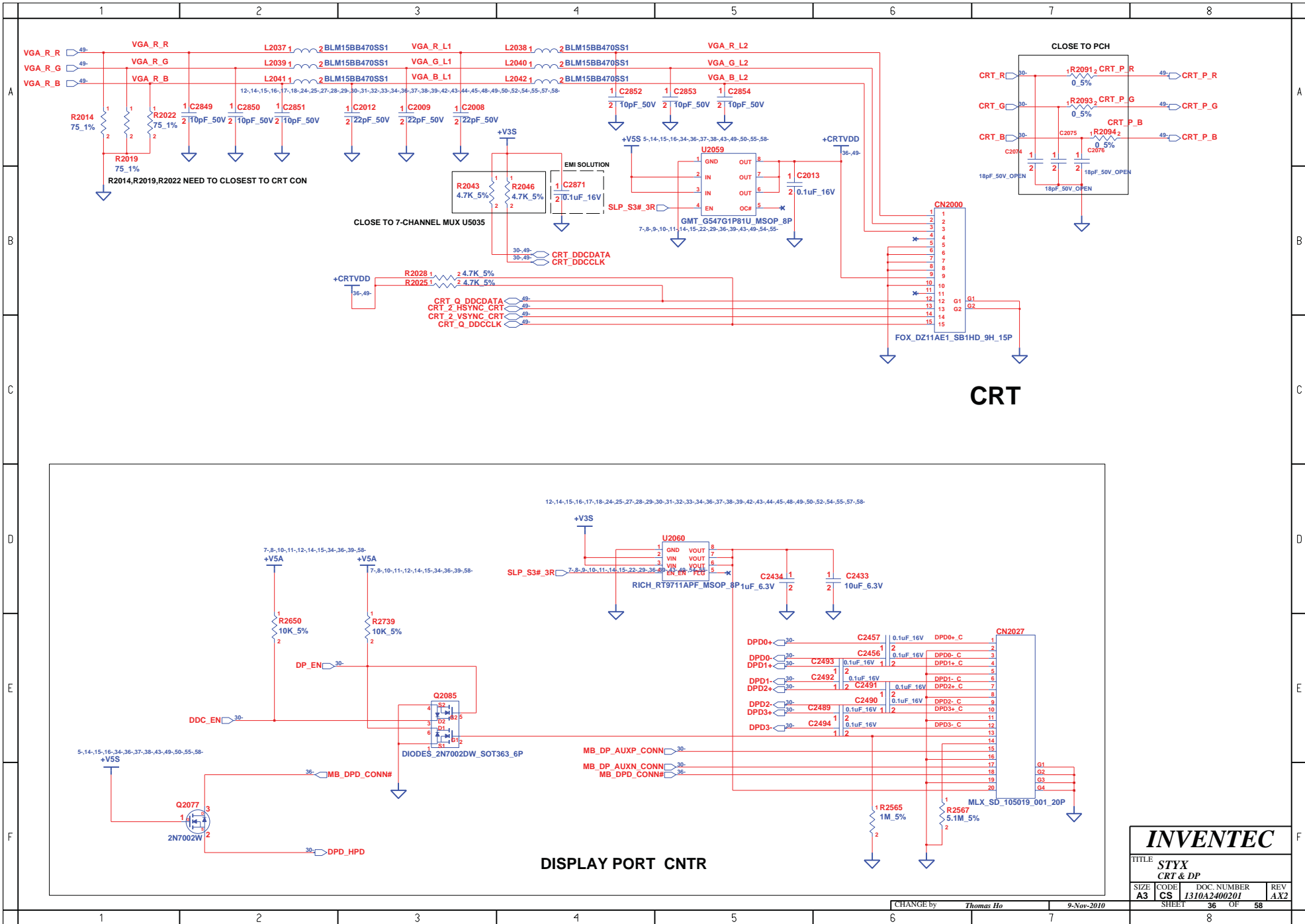


INVENTEC			
TITLE STYX PCH-7			
SIZE A3	CODE CS	DOC NUMBER J310A2400201	REV AX2
SHEET 34		OF 58	

CHANGE by Thomas Ho 9-Nov-2010



INVENTEC			
TITLE STYX PCH-8			
SIZE A3	CODE CS	DOC NUMBER 1310A2400201	REV AX2
CHANGE by <i>Thomas Ho</i>		9-Nov-2010	SHEET 35 OF 58



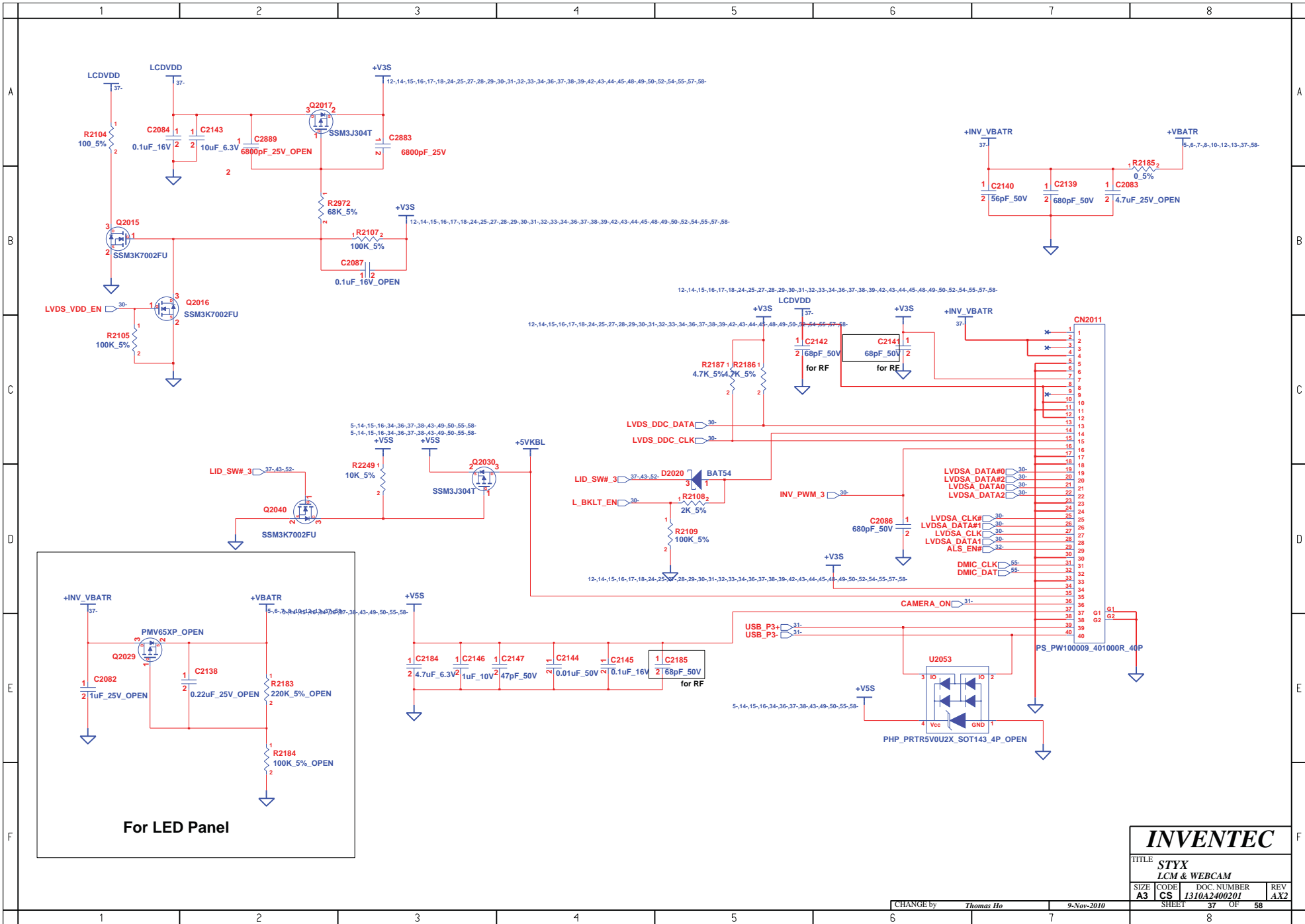
CRT

DISPLAY PORT CNTR

INVENTEC

TITLE			
STYX CRT & DP			
SIZE	CODE	DOC NUMBER	REV
A3	CS	J310A2400201	AX2
SHEET		36	OF 58

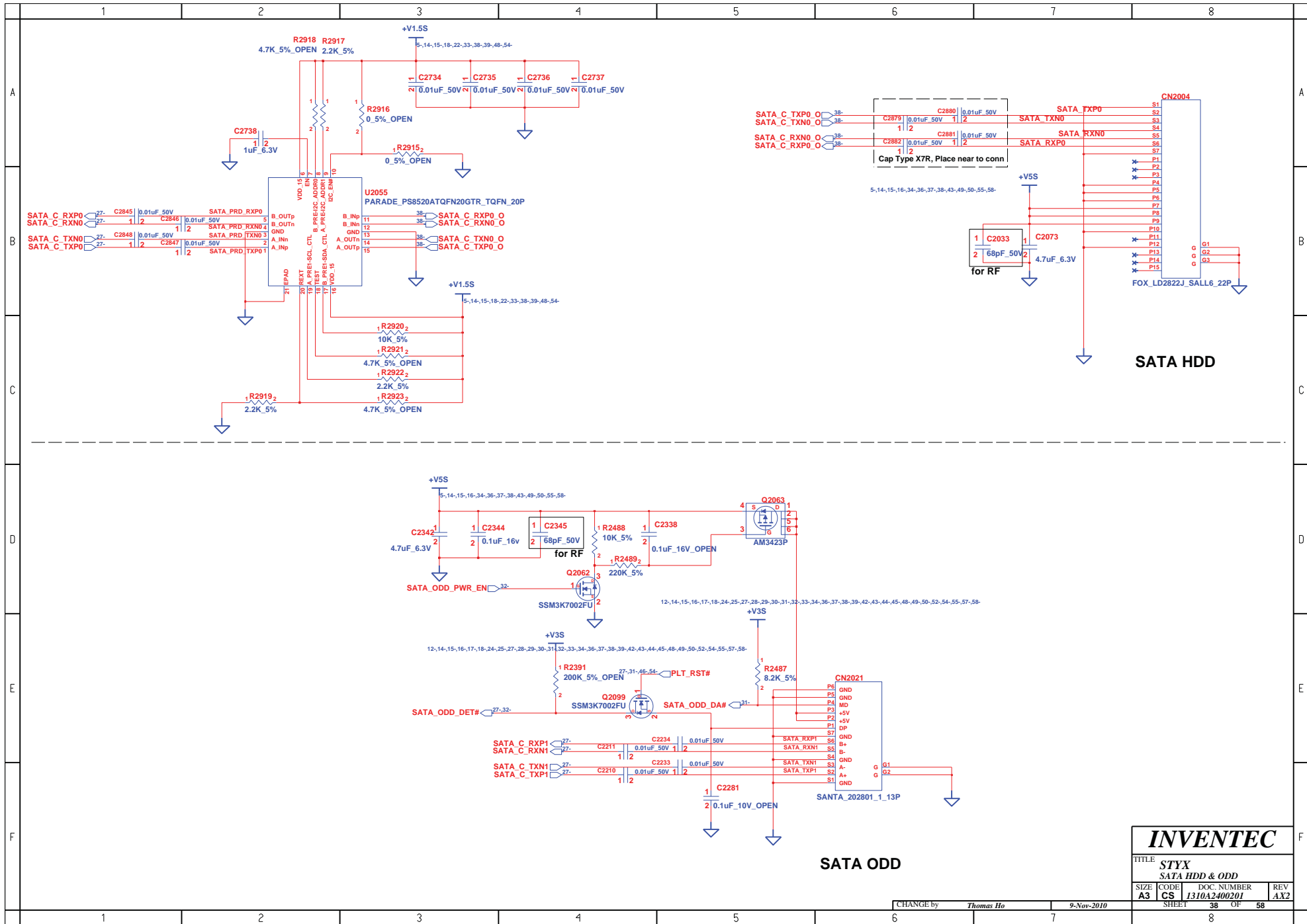
CHANGE by Thomas Ho 9-Nov-2010



INVENTEC

TITLE			
STYX			
LCM & WEBCAM			
SIZE	CODE	DOC NUMBER	REV
A3	CS	J310A2400201	AX2
SHEET		37	OF 58

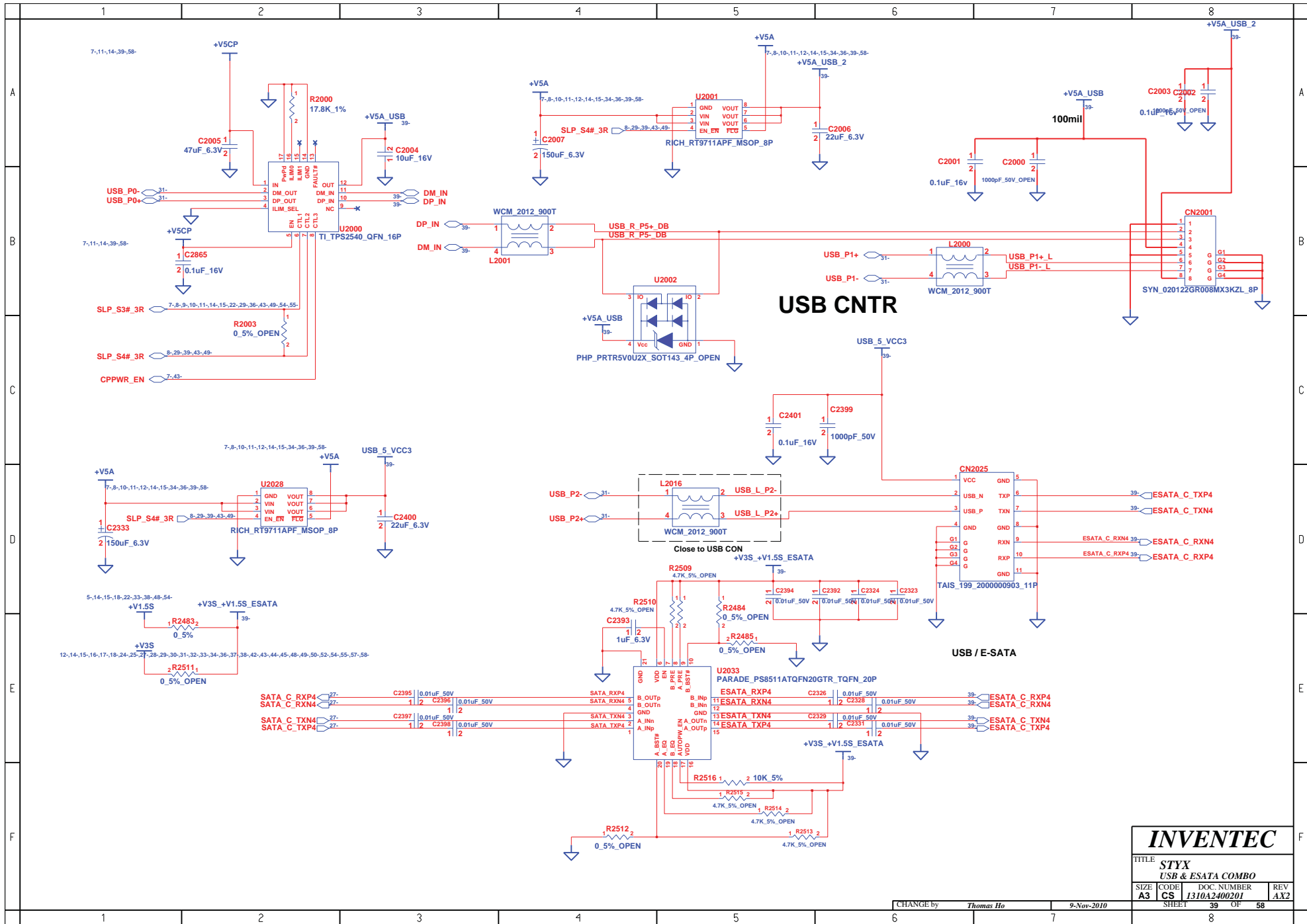
CHANGE by *Thomas Ho* 9-Nov-2010



INVENTEC

TITLE
STYX
SATA HDD & ODD

SIZE A3	CODE CS	DOC NUMBER 1310A2400201	REV AX2
CHANGE by <i>Thomas Ho</i>		9-Nov-2010	
SHEET 38		OF 58	



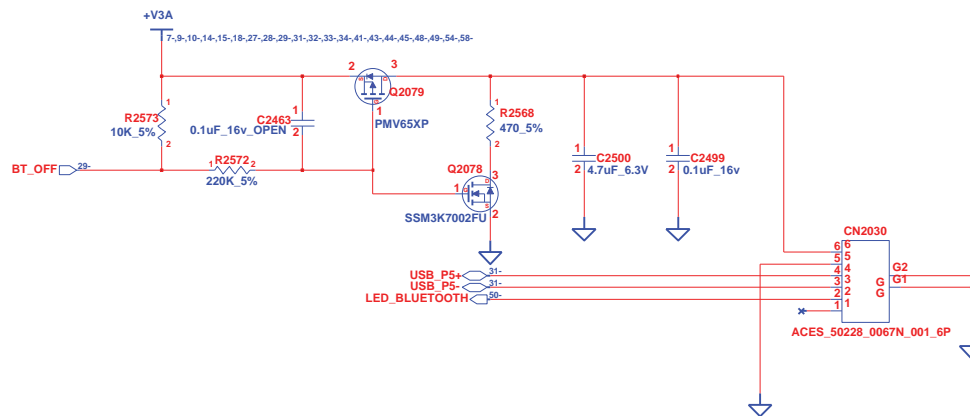
INVENTEC			
TITLE STYX USB & ESATA COMBO			
SIZE A3	CODE CS	DOC NUMBER J310A2400201	REV AX2
SHEET 39		OF 58	

CHANGE by Thomas Ho 9-Nov-2010

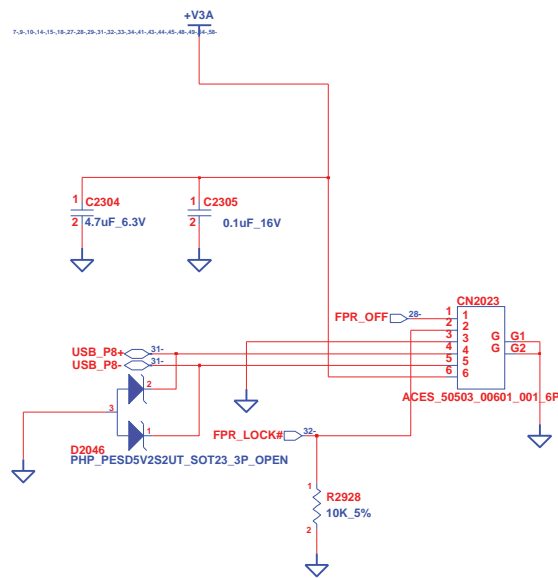
BLANK

INVENTEC			
TITLE <i>STYX BLANK</i>			
SIZE A3	CODE CS	DOC NUMBER <i>1310A2400201</i>	REV AX2
CHANGE by <i>Thomas Ho</i>		11-Nov-2010	
SHEET		40	OF 58

	1	2	3	4	5	6	7	8	
A									A
B									B
C									C
D									D
E									E
F									F
	1	2	3	4	5	6	7	8	



BLUETOOTH



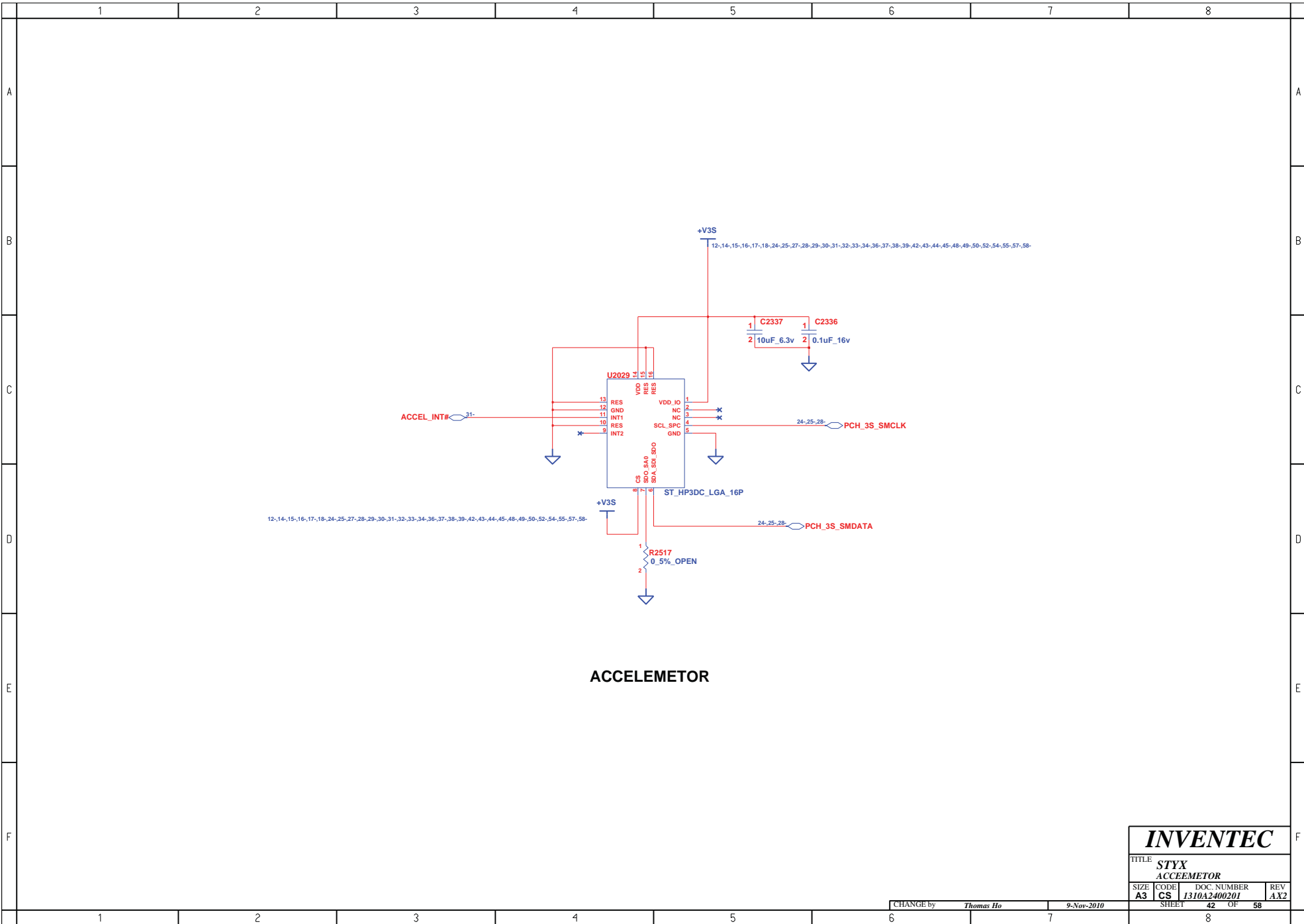
FINGER PRINTER CNTR

INVENTEC

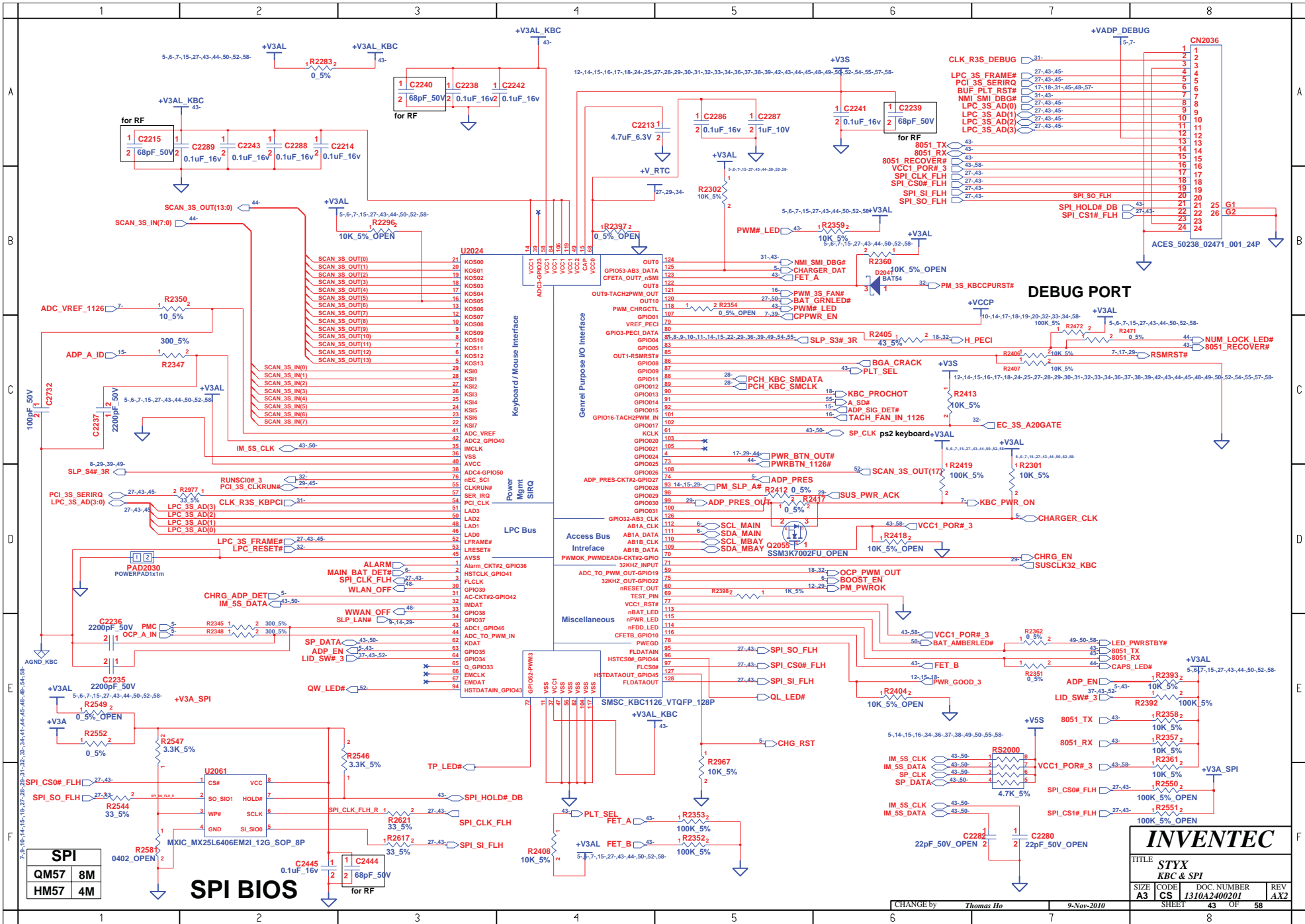
TITLE			
STYX			
BLUETOOTH & FINGER PRINTER			
SIZE	CODE	DOC NUMBER	REV
A3	CS	J310A2400201	AX2
SHEET		41	OF 58

CHANGE by *Thomas Ho* 9-Nov-2010

8



INVENTEC			
TITLE STYX ACCELEMETOR			
SIZE A3	CODE CS	DOC NUMBER 1310A2400201	REV AX2
CHANGE by <i>Thomas Ho</i>		9-Nov-2010	
SHEET 42		OF 58	



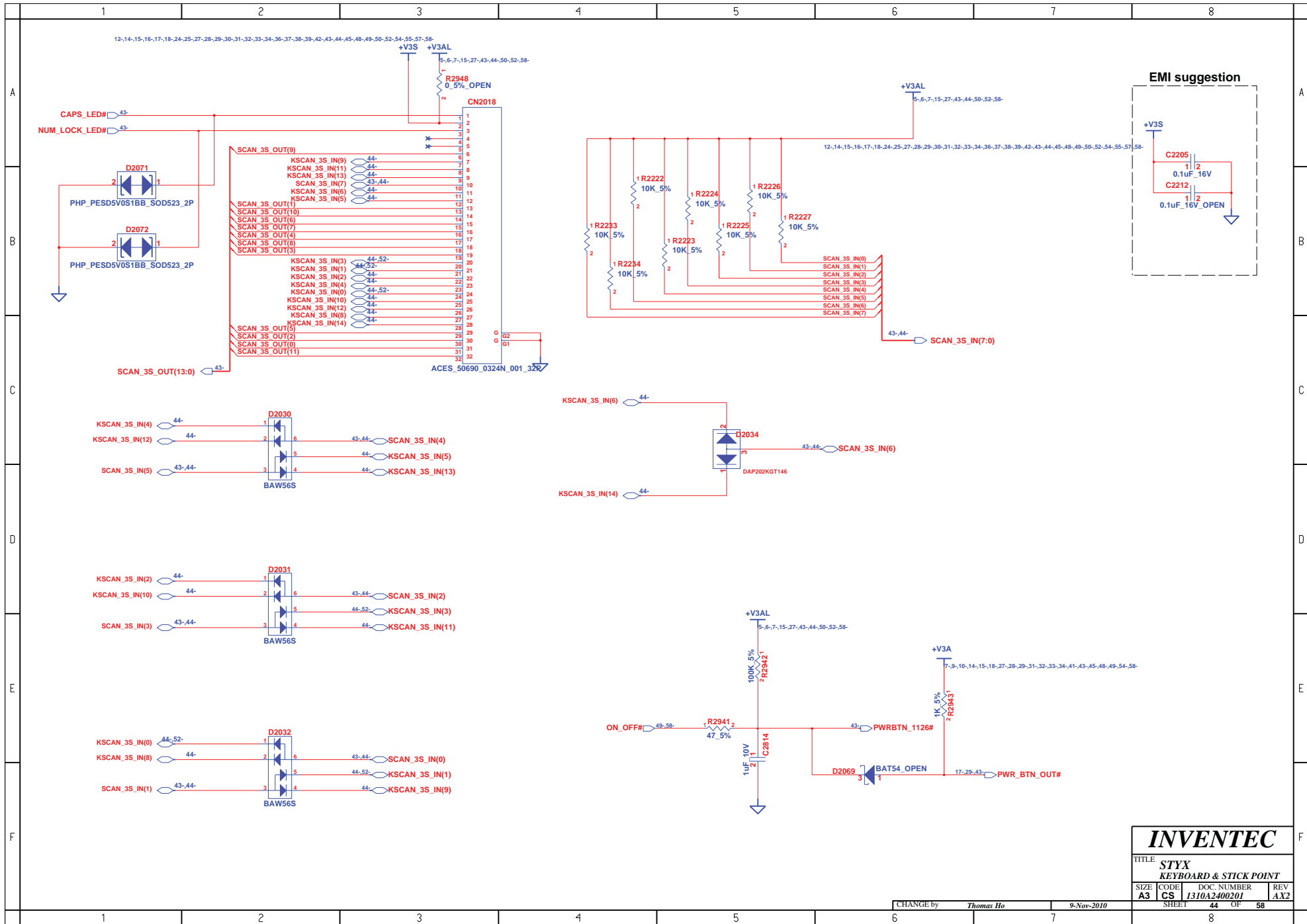
SPI	
QMS7	8M
HM57	4M

SPI BIOS

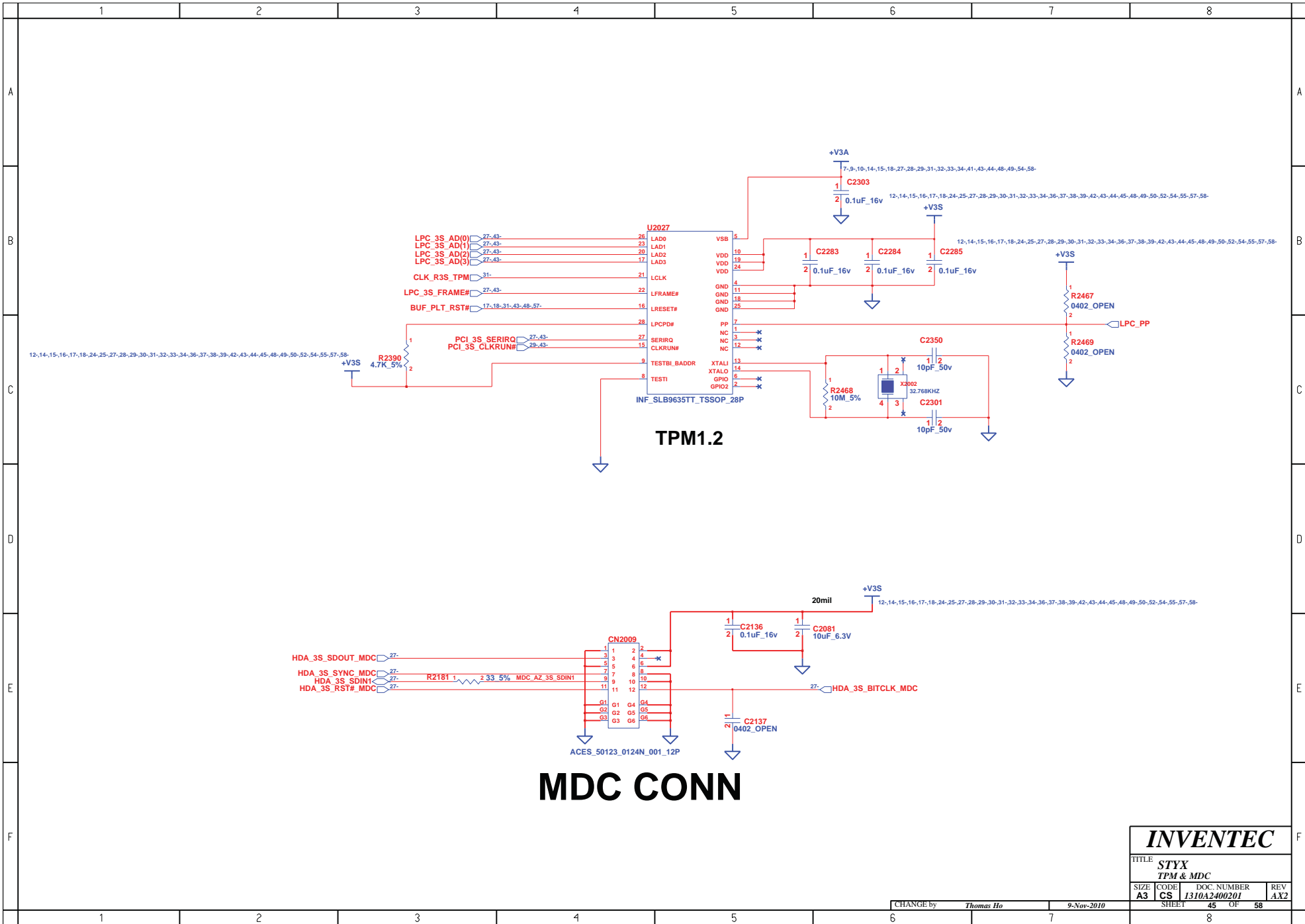
INVENTEC

TITLE			
STYX KBC & SPI			
SIZE	CODE	DOC NUMBER	REV
A3	CS	J310A2400201	AX2
SHEET		43 OF 58	

CHANGE by *Thomas Ho* 9-Nov-2010



INVENTEC			
TITLE STYX KEYBOARD & STICK POINT			
SIZE A3	CODE CS	DOC NUMBER 1310A2400201	REV AX2
CHANGE by <i>Thomas Ho</i>		9-Nov-2010	
SHEET 44		OF 58	



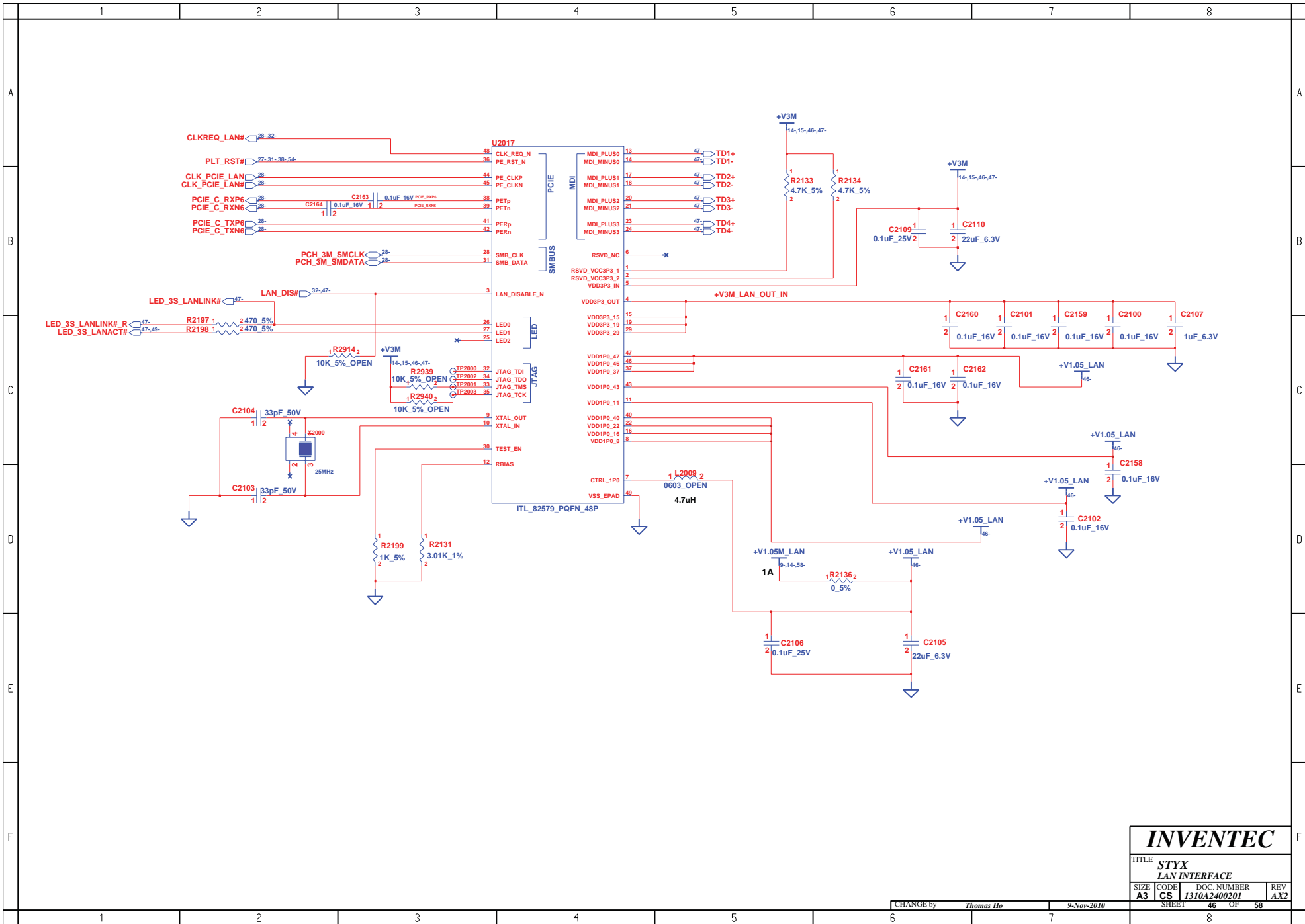
TPM1.2

MDC CONN

INVENTEC

TITLE			
STYX			
TPM & MDC			
SIZE	CODE	DOC NUMBER	REV
A3	CS	1310A2400201	AX2
SHEET		45	OF 58

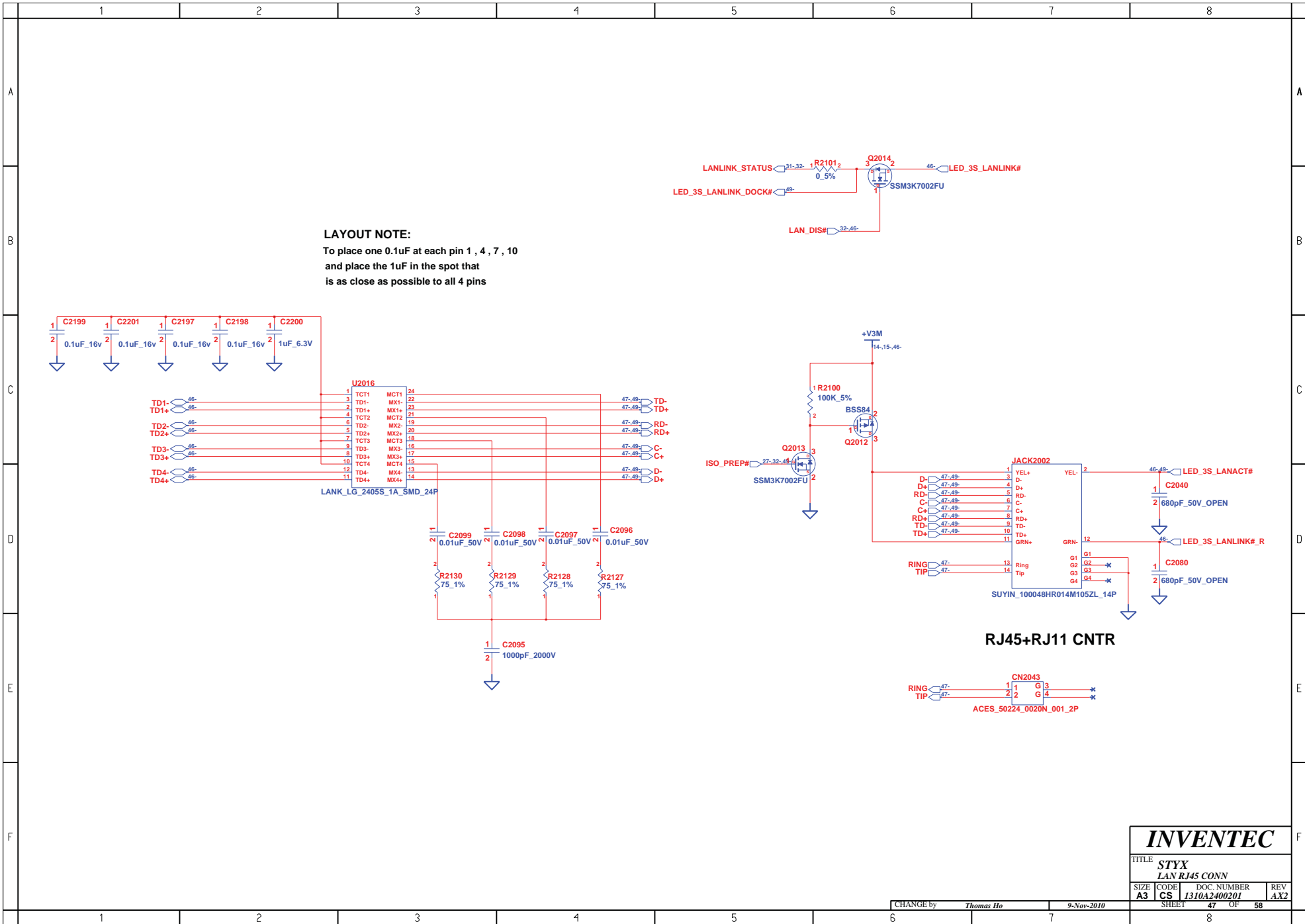
CHANGE by *Thomas Ho* 9-Nov-2010



INVENTEC

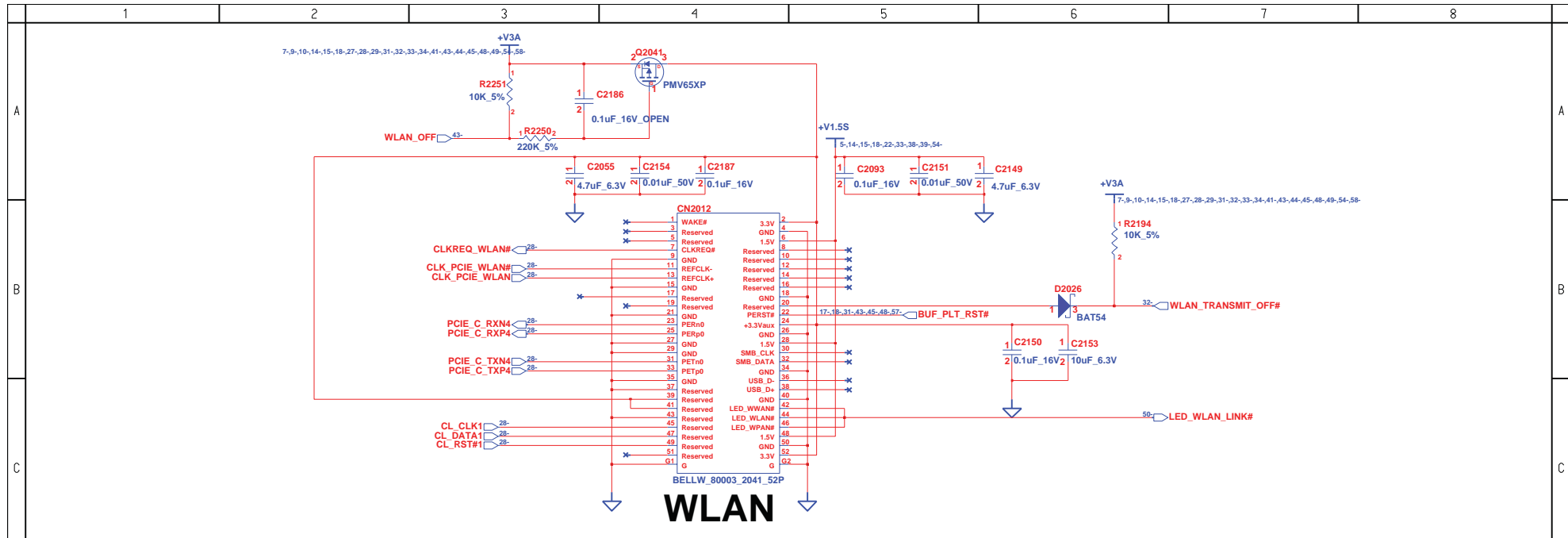
TITLE			
STYX LAN INTERFACE			
SIZE	CODE	DOC NUMBER	REV
A3	CS	J310A2400201	AX2
SHEET		46	OF 58

CHANGE by *Thomas Ho* 9-Nov-2010

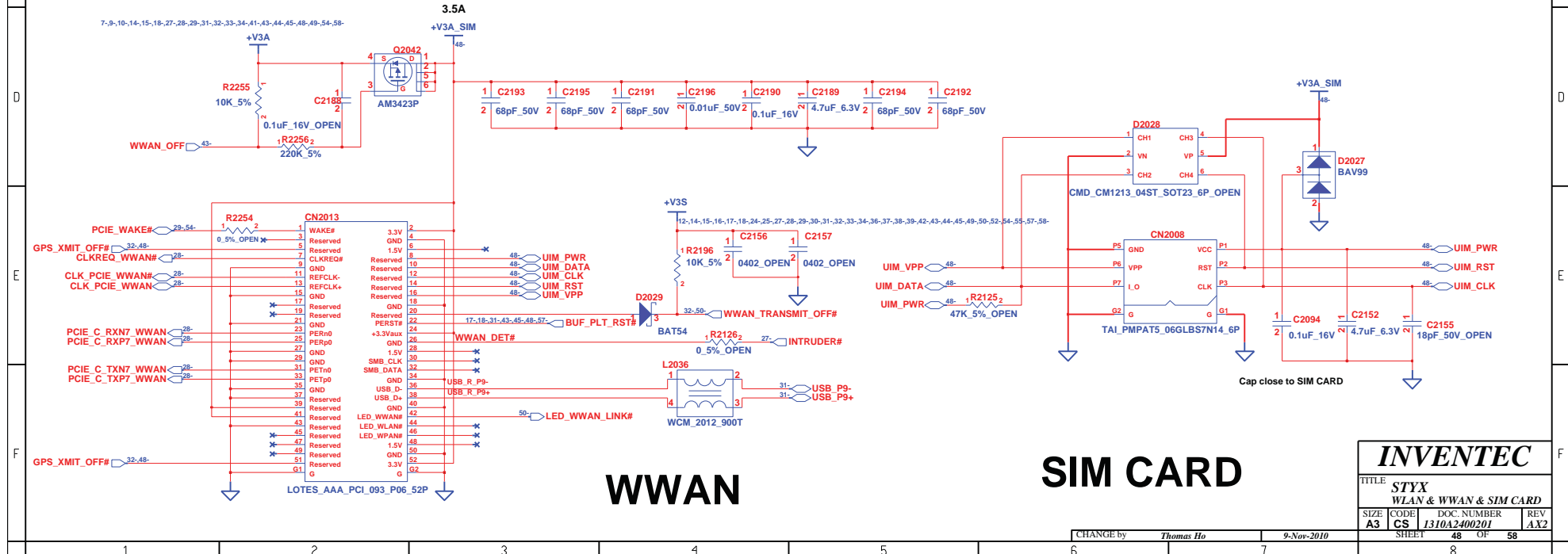


LAYOUT NOTE:
 To place one 0.1uF at each pin 1, 4, 7, 10
 and place the 1uF in the spot that
 is as close as possible to all 4 pins

INVENTEC			
TITLE <i>STYX</i> LAN RJ45 CONN			
SIZE A3	CODE CS	DOC NUMBER <i>1310A2400201</i>	REV AX2
CHANGE by <i>Thomas Ho</i>		9-Nov-2010	
SHEET 47		OF 58	



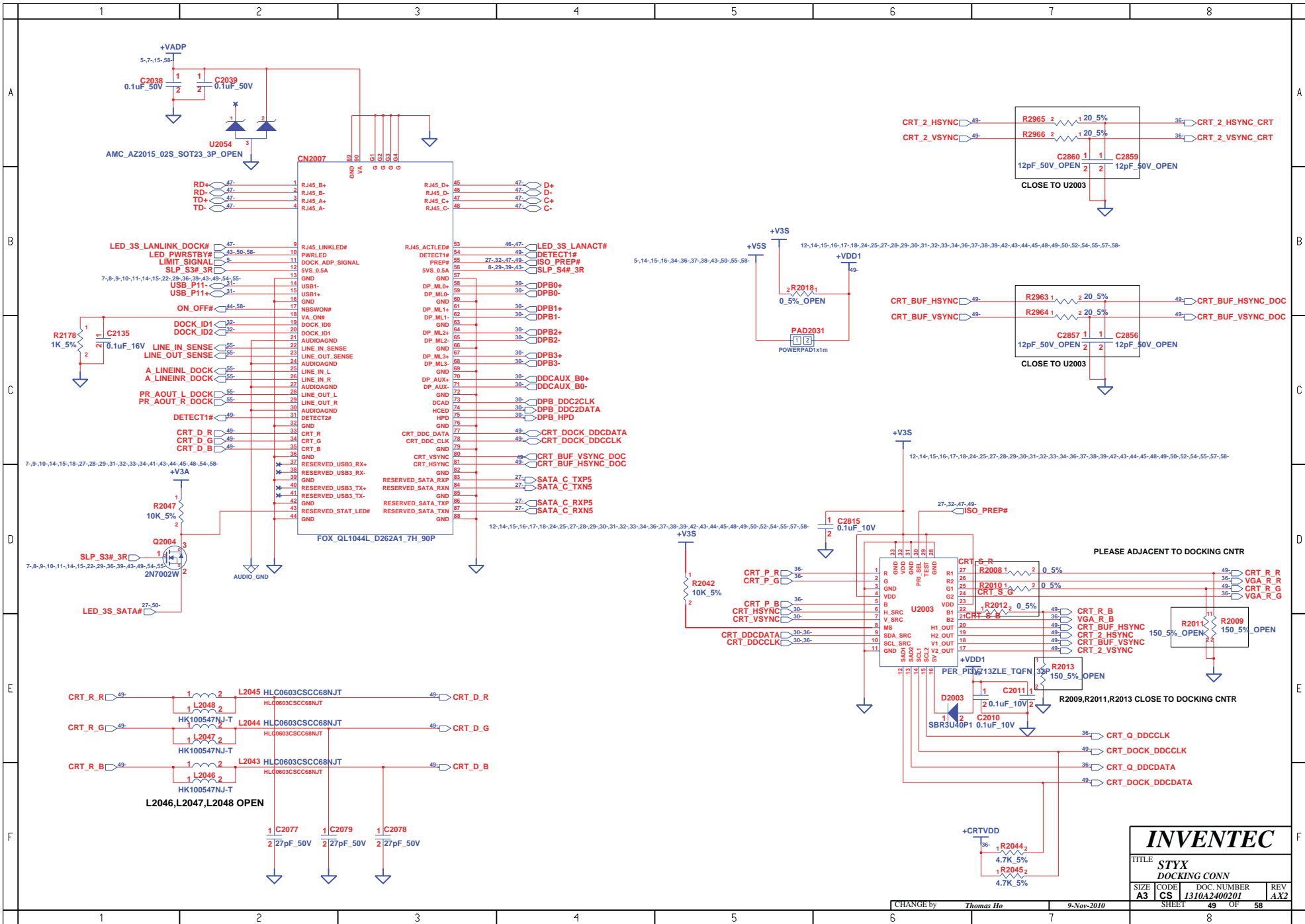
WLAN



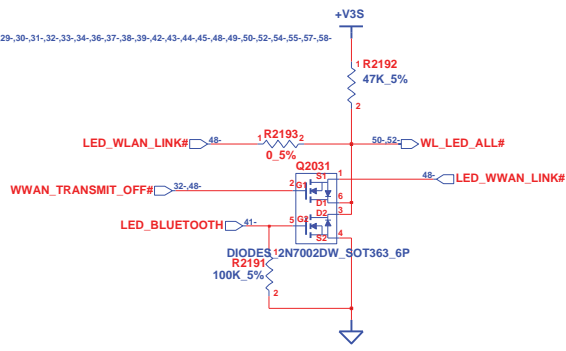
WWAN

SIM CARD

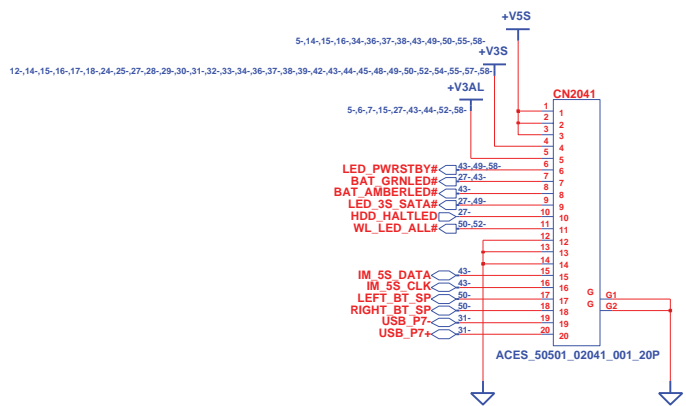
INVENTEC			
TITLE STYX WLAN & WWAN & SIM CARD			
SIZE A3	CODE CS	DOC NUMBER J310A2400201	REV AX2
CHANGE by Thomas Ho		9-Nov-2010	
SHEET 48		OF 58	



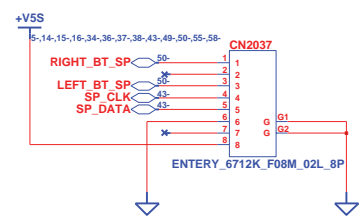
INVENTEC			
TITLE STYX DOCKING CONN			
SIZE A3	CODE CS	DOC NUMBER 1310A2400201	REV AX2
CHANGE by Thomas Ho		DATE 9-Nov-2010	SHEET 49 OF 58



WLAN_WWAN_Bluetooth_LED

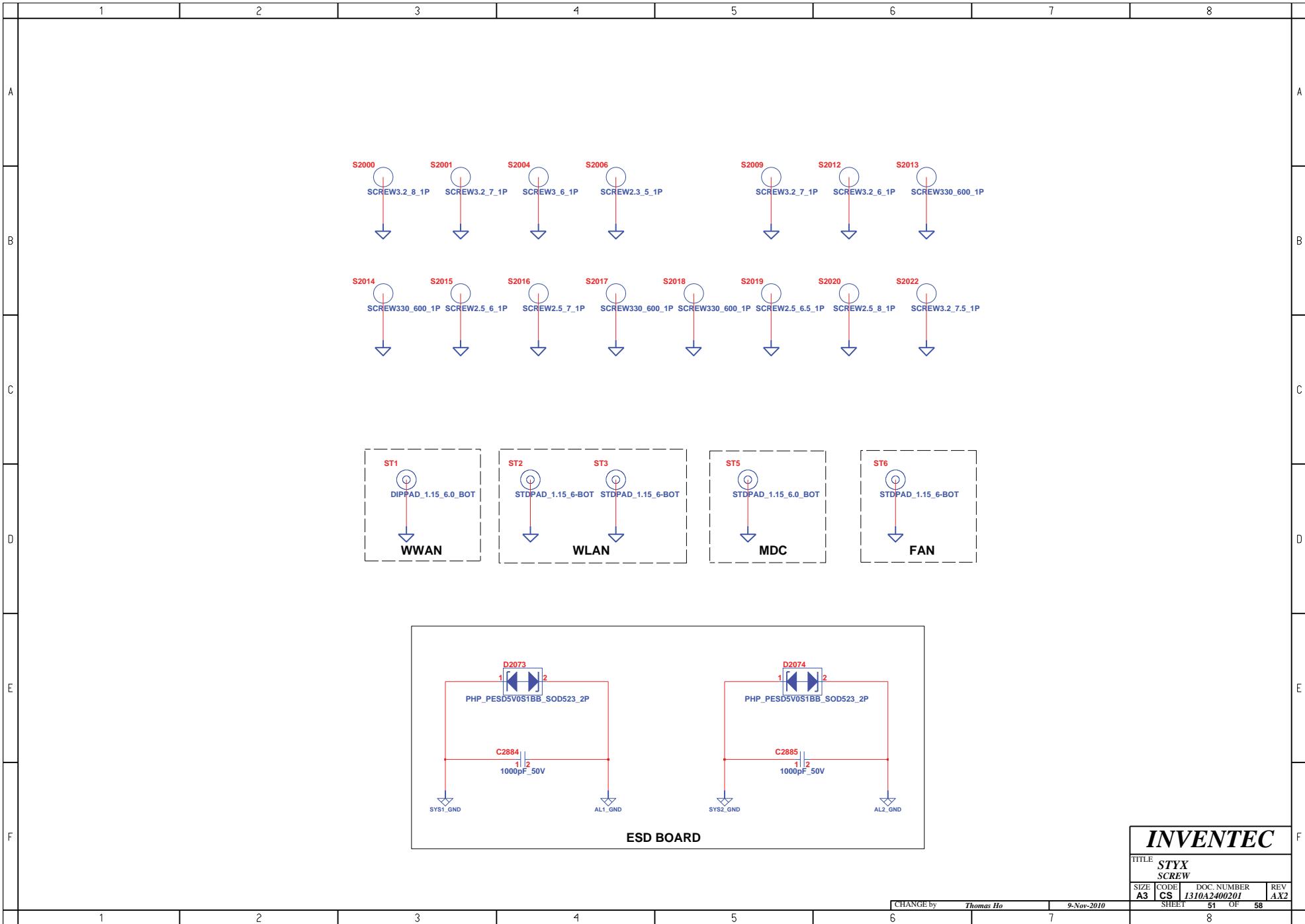


SMART CARD

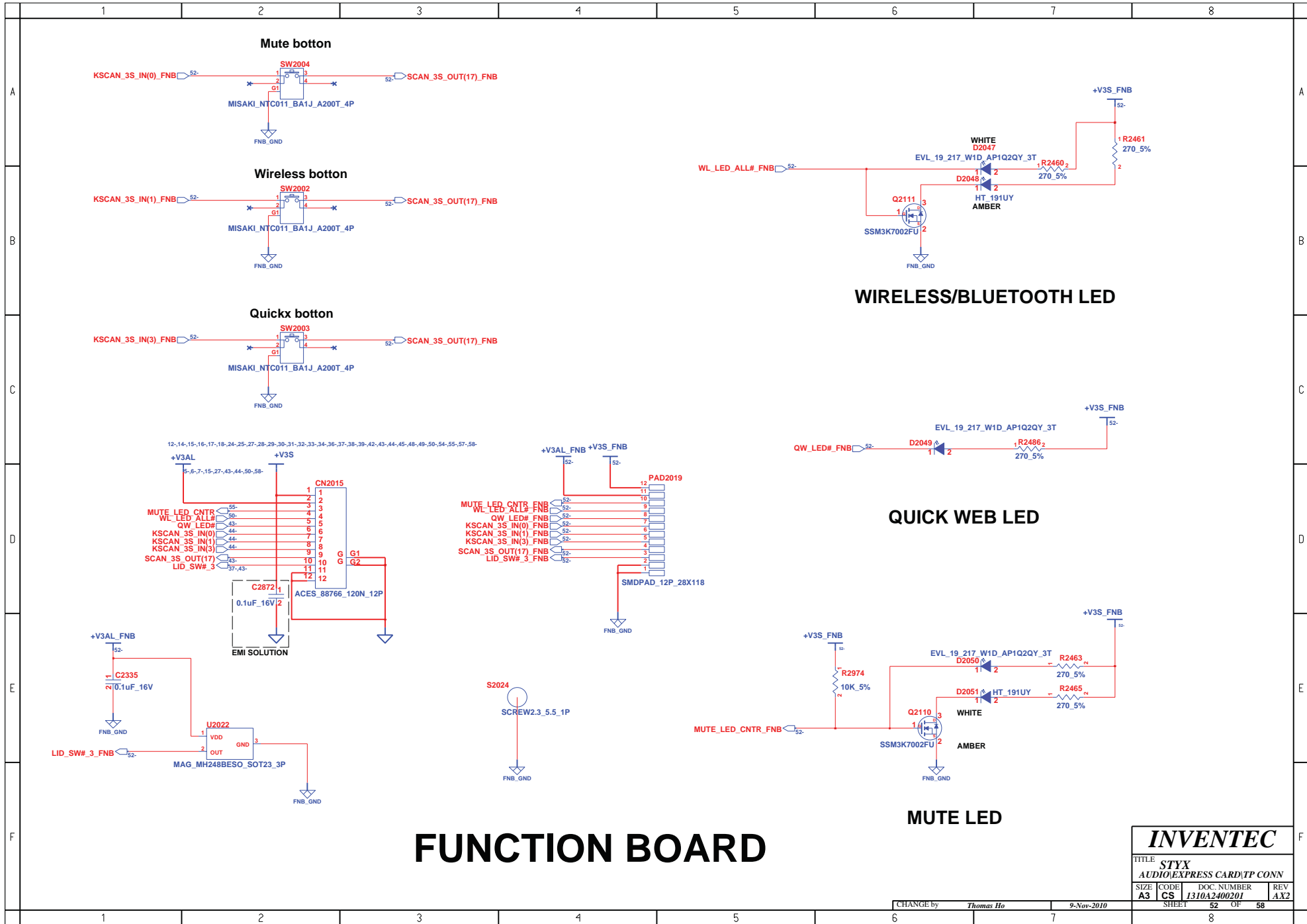


STICK POINT

INVENTEC			
TITLE STYX			
power/wlan/wlan/Bt LED			
SIZE A3	CODE CS	DOC NUMBER 1310A2400201	REV AX2
CHANGE by <i>Thomas Ho</i>		9-Nov-2010	SHEET 50 OF 58



INVENTEC			
TITLE STYX SCREW			
SIZE A3	CODE CS	DOC NUMBER 1310A2400201	REV AX2
CHANGE by <i>Thomas Ho</i>		9-Nov-2010	
SHEET		51 OF 58	

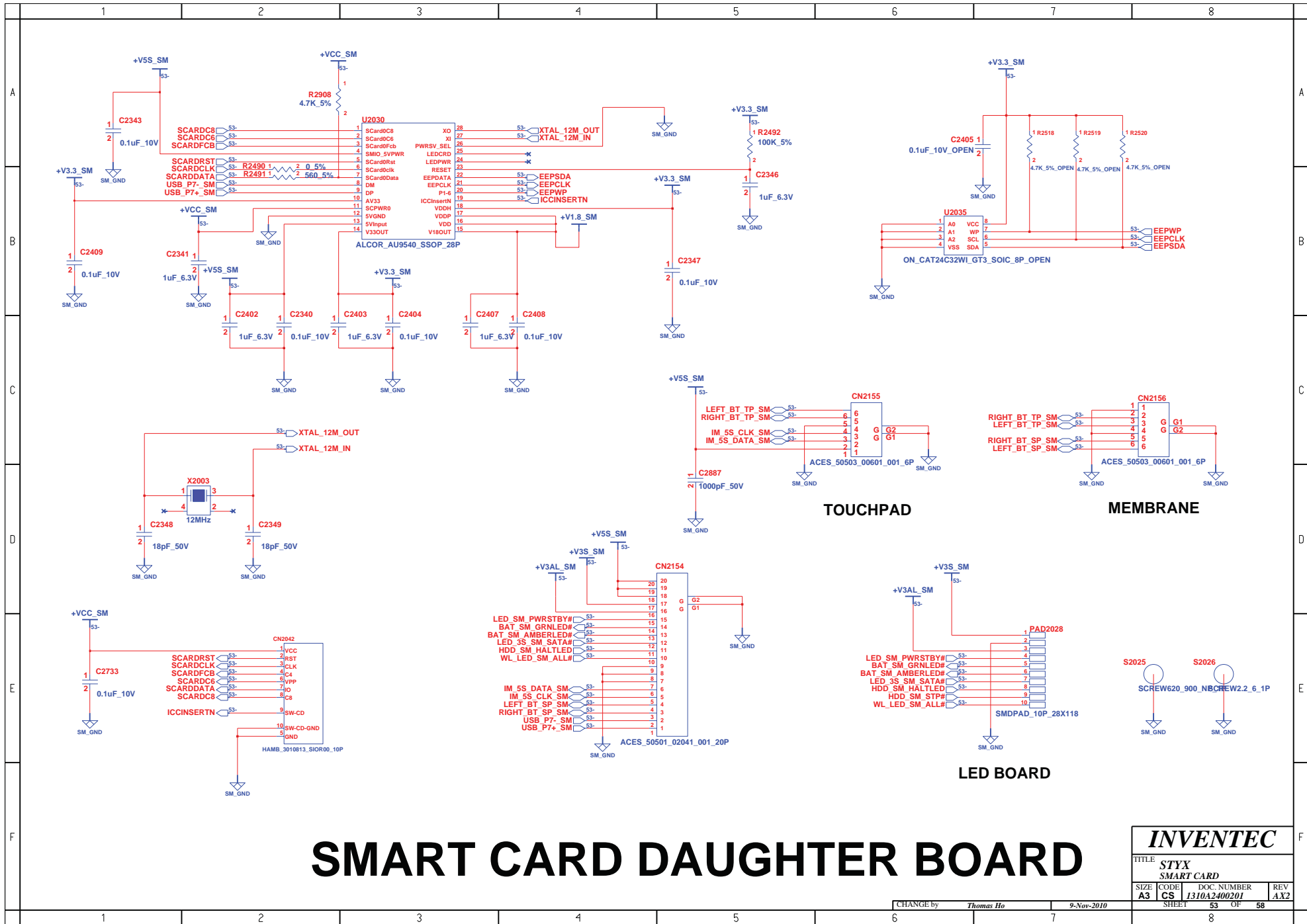


FUNCTION BOARD

INVENTEC

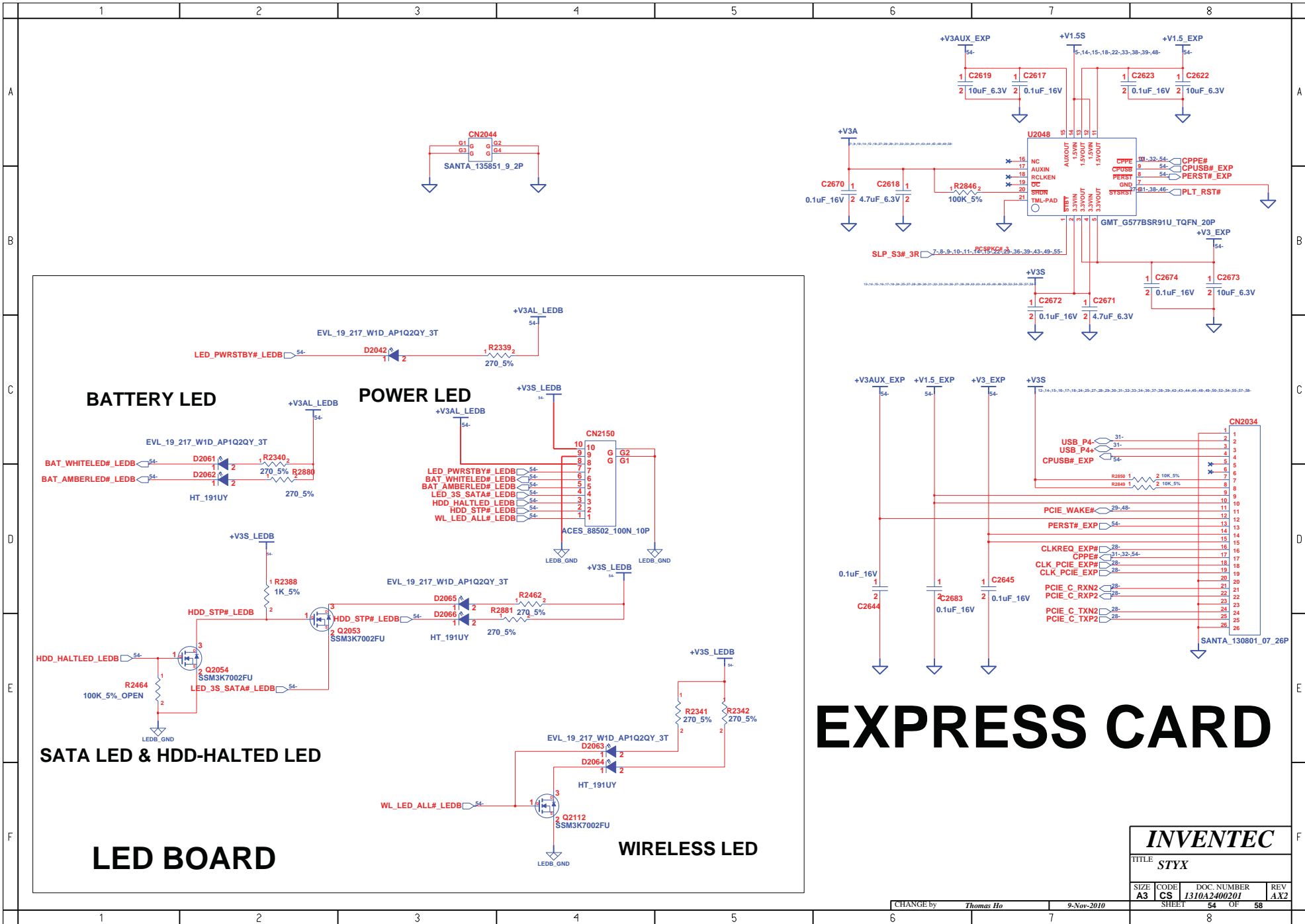
TITLE			
STYX			
AUDIO EXPRESS CARD (TP CONN)			
SIZE	CODE	DOC. NUMBER	REV
A3	CS	1310A2400201	AX2
SHEET		OF	58

CHANGE by Thomas Ho 9-Nov-2010



SMART CARD DAUGHTER BOARD

INVENTEC			
TITLE STYX SMART CARD			
SIZE A3	CODE CS	DOC NUMBER J310A2400201	REV AX2
CHANGE by Thomas Ho		9-Nov-2010	
SHEET 53		OF 58	



EXPRESS CARD

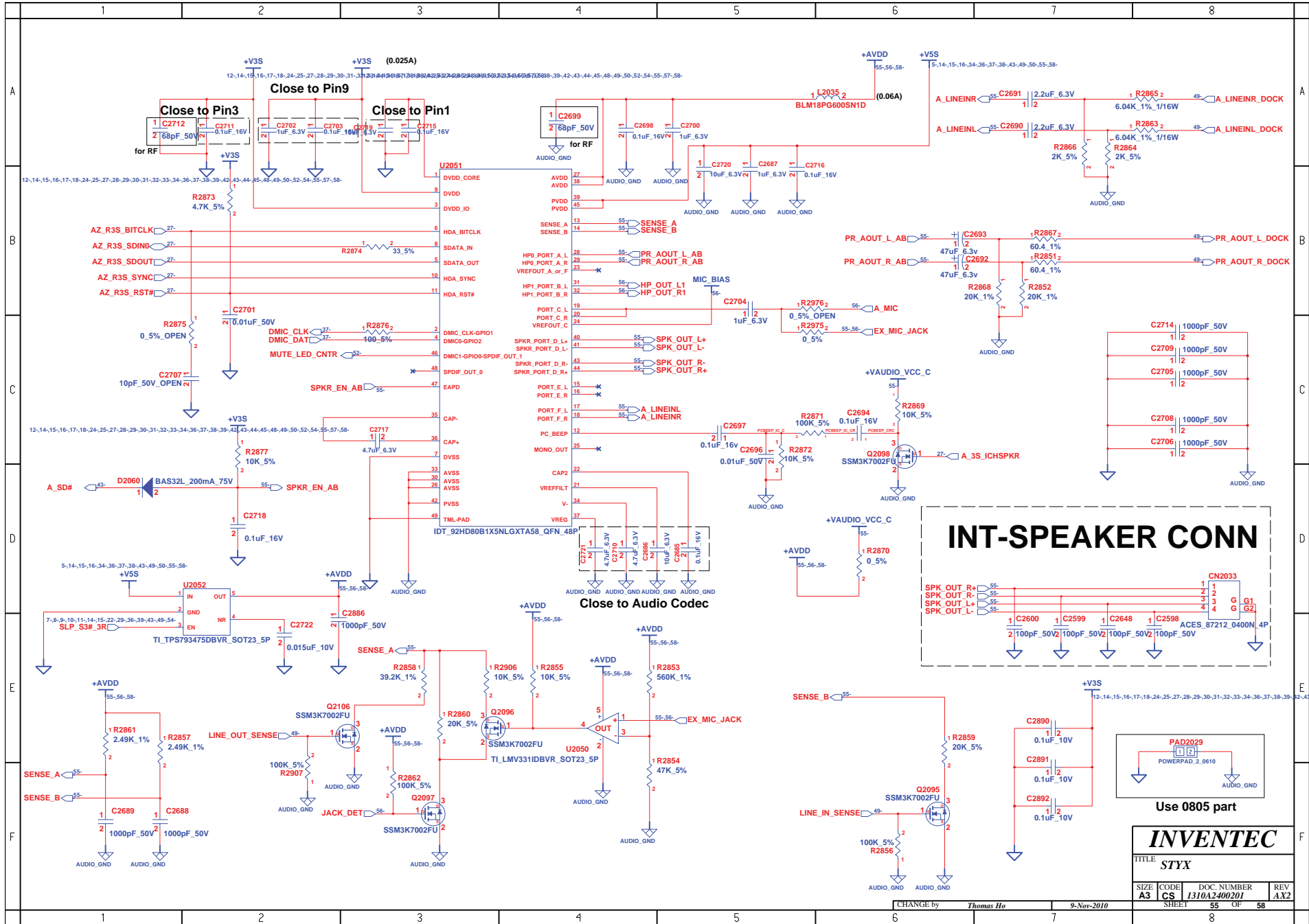
INVENTEC

TITLE **STYX**

SIZE	CODE	DOC NUMBER	REV
A3	CS	1310A2400201	AX2

CHANGE by *Thomas Ho* 9-Nov-2010

SHEET 54 OF 58



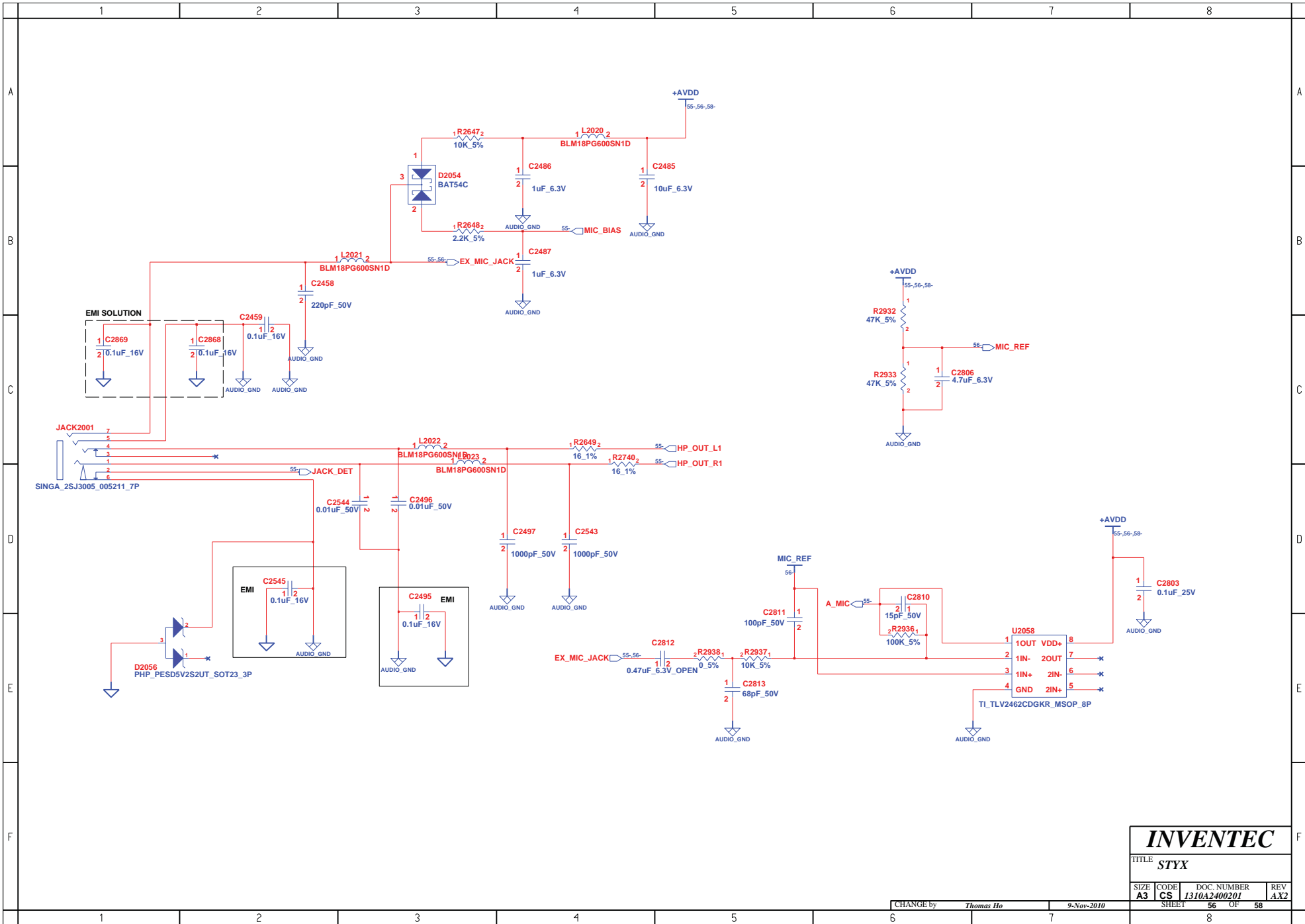
INVENTEC

TITLE **STYX**

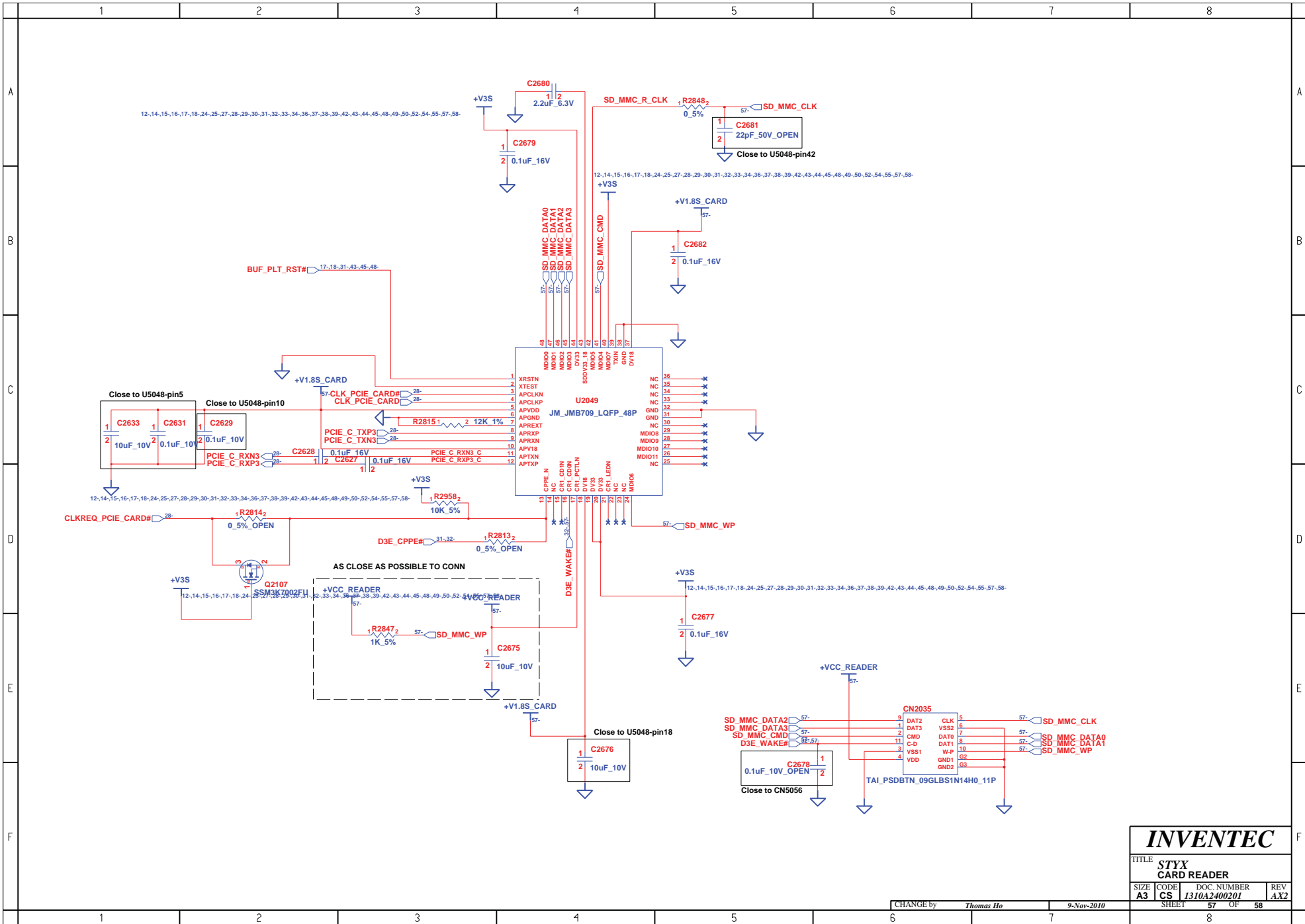
SIZE	CODE	DOC NUMBER	REV
A3	CS	1310A2400201	AX2

CHANGE by	Thomas Ho	9-Nov-2010
SHEET	58	OF 58

8



INVENTEC			
TITLE STYX			
SIZE A3	CODE CS	DOC NUMBER J310A2400201	REV AX2
CHANGE by Thomas Ho		9-Nov-2010	
SHEET 56		OF 58	



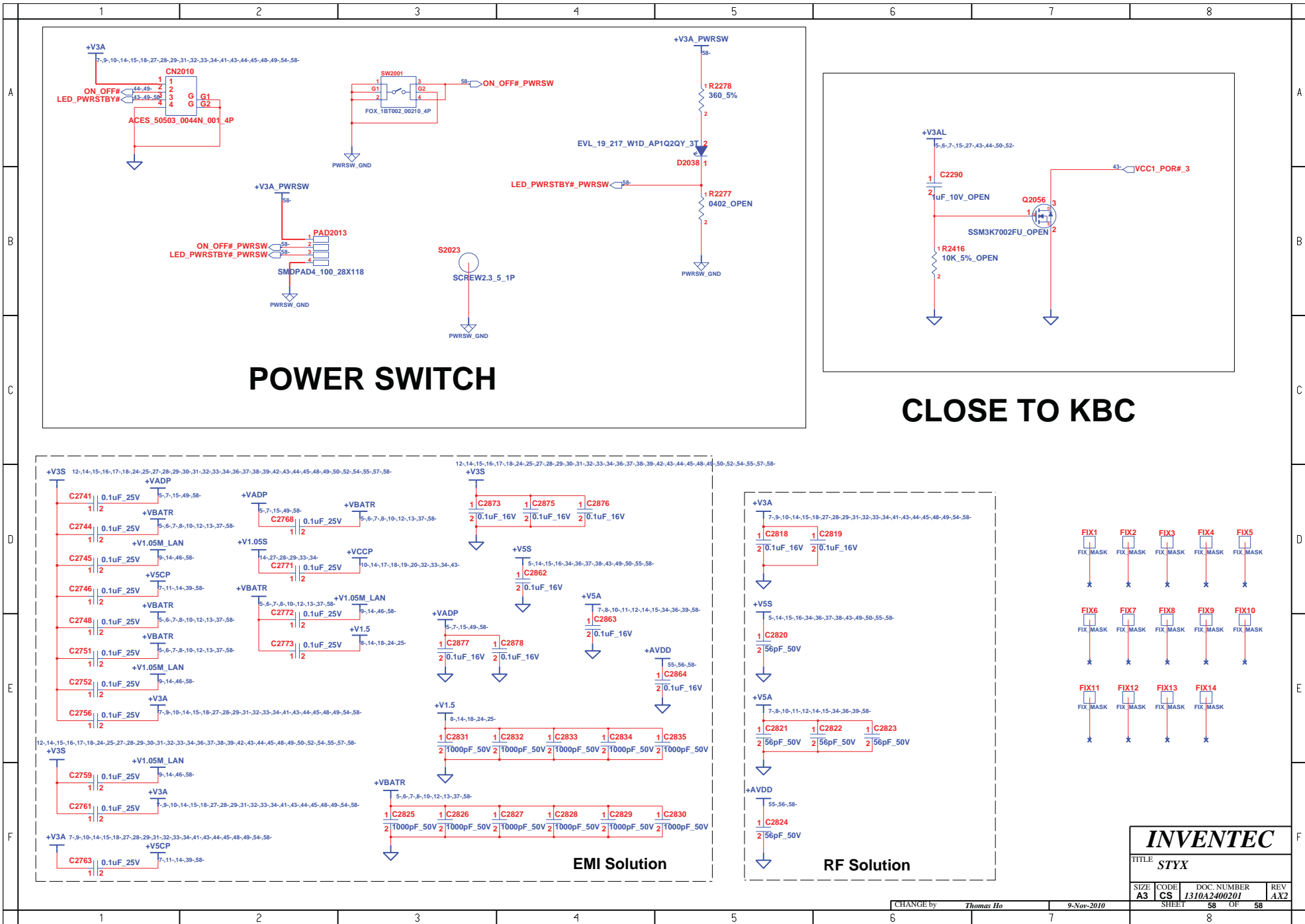
INVENTEC

TITLE
**STYX
 CARD READER**

SIZE A3	CODE CS	DOC NUMBER 1310A2400201	REV AX2
-------------------	-------------------	-----------------------------------	-------------------

CHANGE by *Thomas Ho* 9-Nov-2010

SHEET 57 OF 58

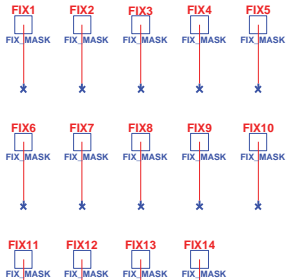


POWER SWITCH

CLOSE TO KBC

EMI Solution

RF Solution



INVENTEC			
TITLE STYX			
SIZE A3	CODE CS	DOC NUMBER J310A2400201	REV AX2
SHEET 58		OF 58	