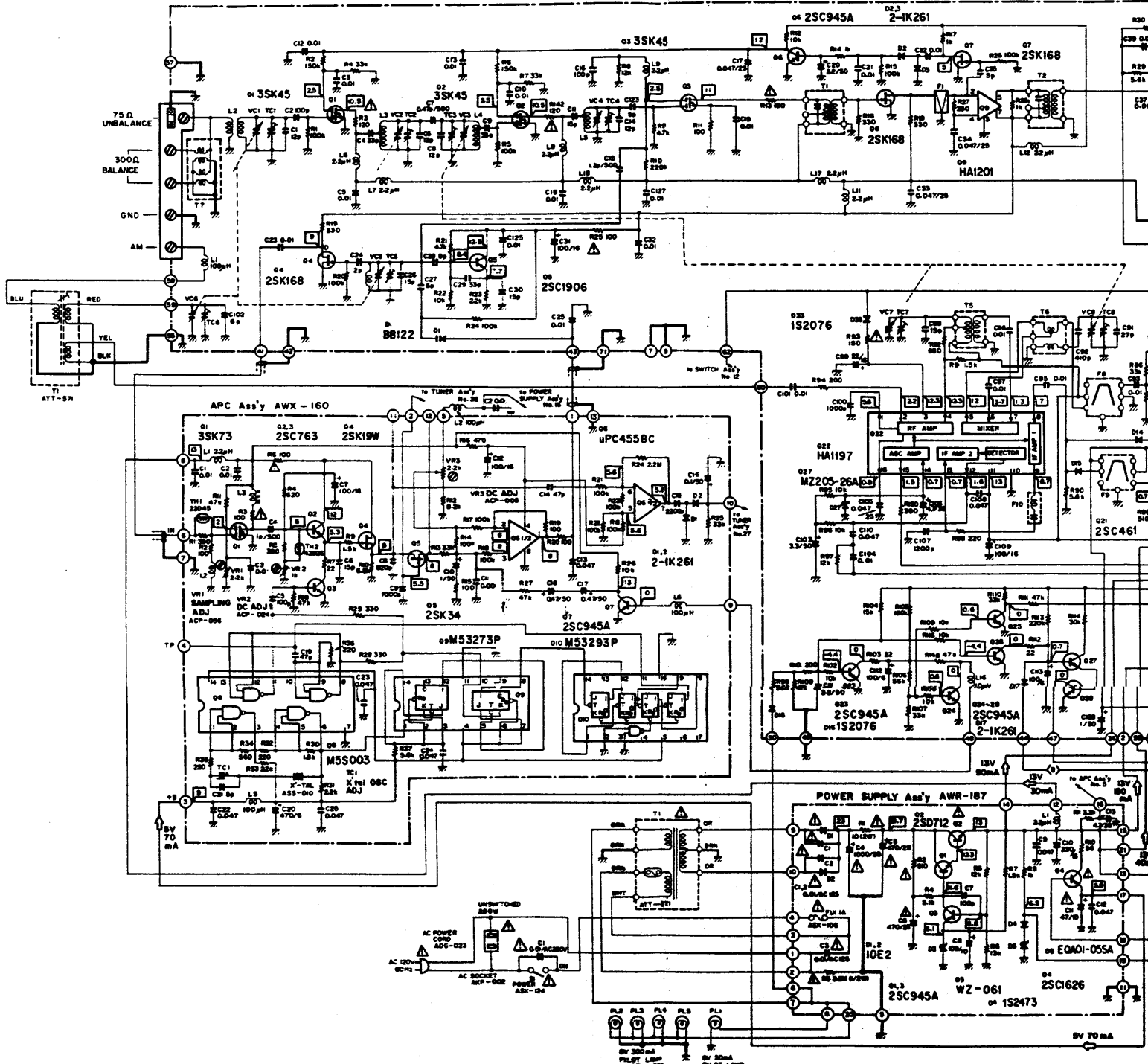
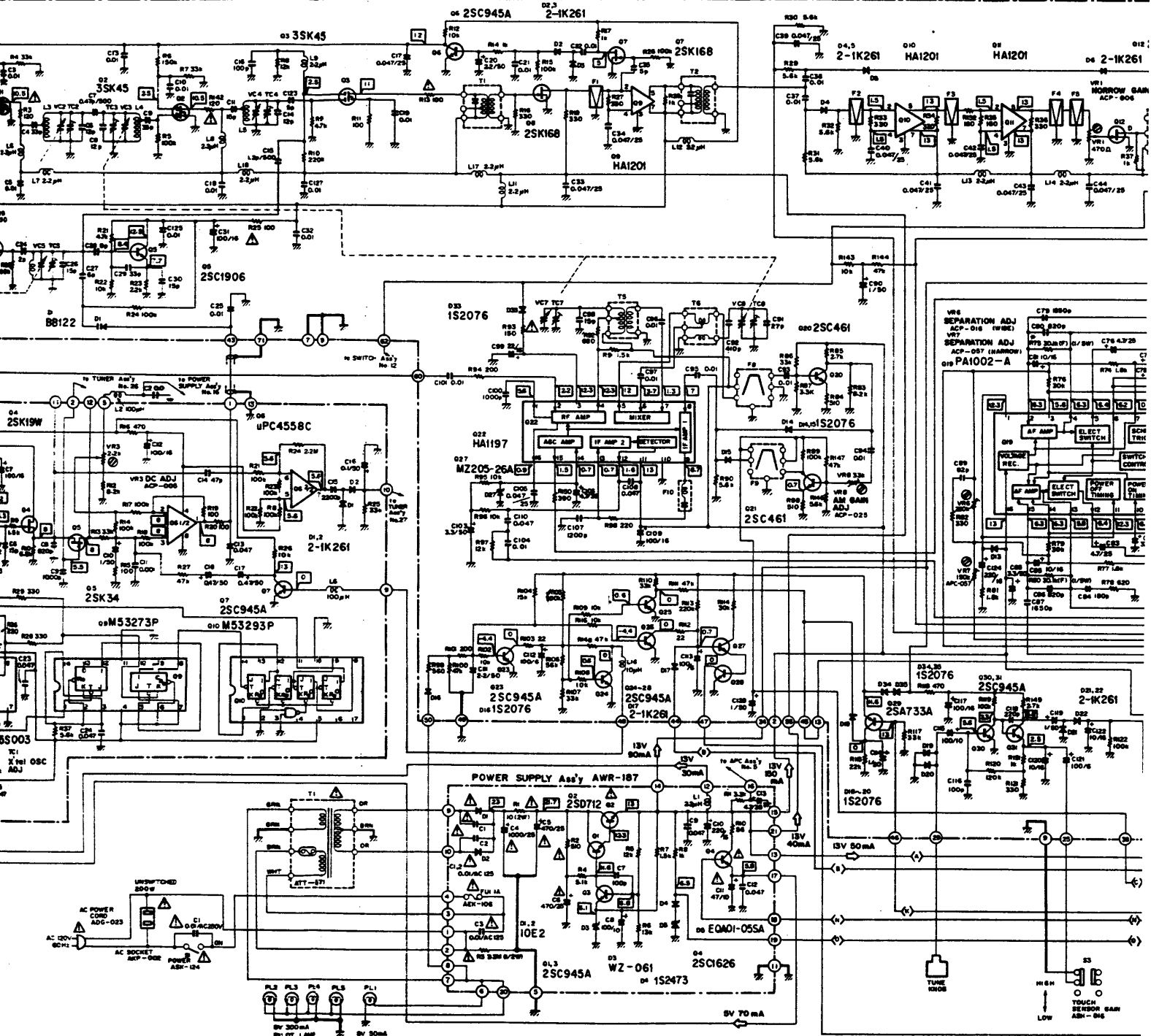


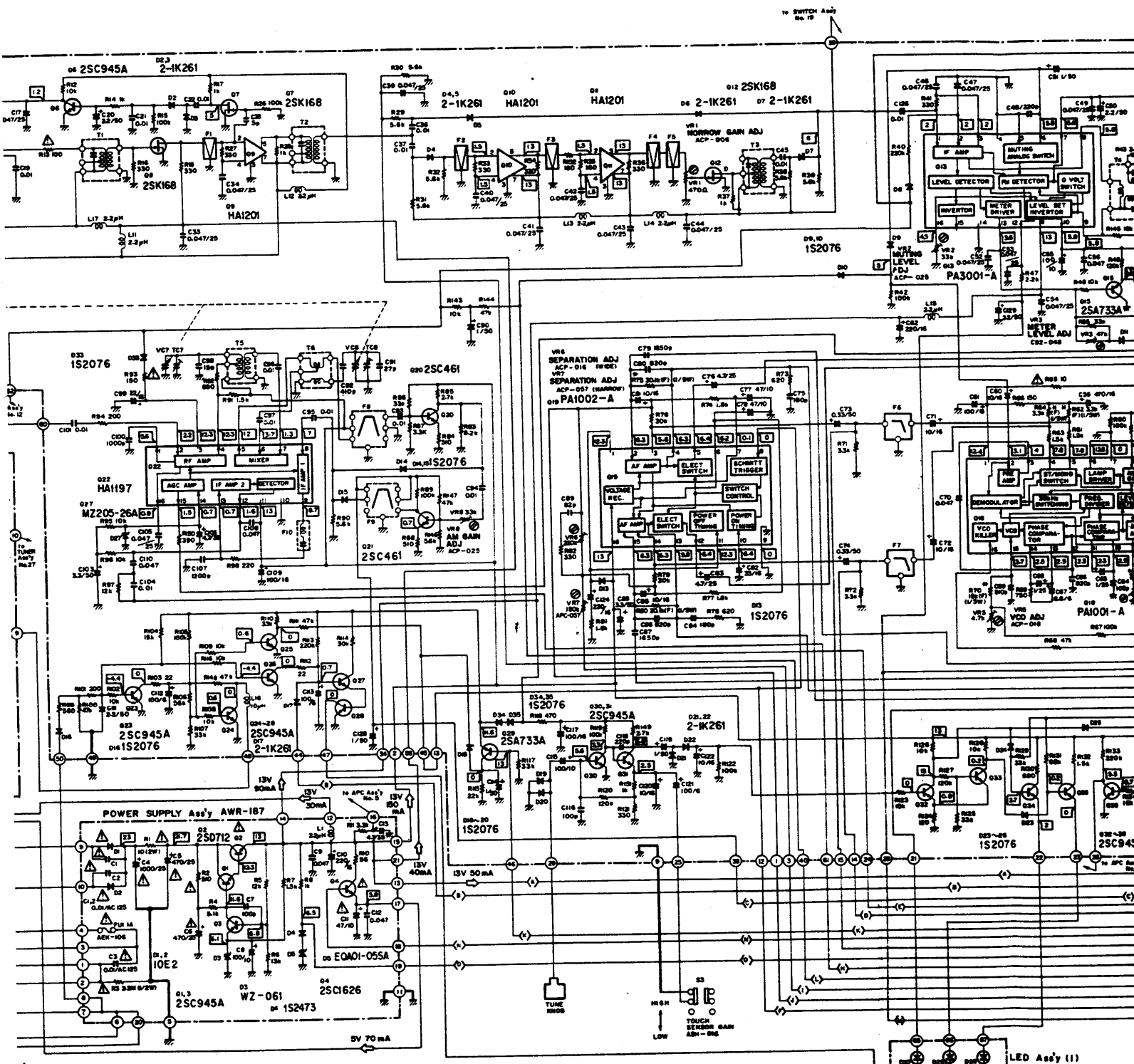
TUNER Assy GWE-114



- RESISTORS:**  
Indicated in Ω, 1/4W, ±5% tolerance unless otherwise noted; 1/2W, 1/4W, 1/2W, (F): ±1%, (M): ±20% tolerance
- CAPACITORS:**  
Indicated in capacity (pF/Voltage[V]) unless otherwise noted; pF indication without voltage is 50V except electrolytic capacitor.
- VOLTAGE, CURRENT:**  
□: DC voltage (V) at no input or output  
◀: DC current (mA) at no input or output  
◻: Signal voltage at FM 485Hz.  
⊕: Signal route.  
⊙: Adjusting point
- OTHERS:**



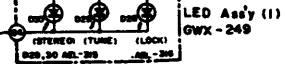
- 1. RESISTORS:  
Indicated in Ω, 1/4W, ±5% tolerance unless otherwise noted k; M; MQ, (F); ±1%, (M); ±20% tolerance
  - 2. CAPACITORS:  
Indicated in capacity (μF)/voltage(V) unless otherwise noted p; nF  
Indication without voltage is 50V except electrolytic capacitor.
  - 3. VOLTAGE, CURRENT:  
⊠: DC voltage (V) at no input signal  
⊡: DC current at no input signal.  
⊞: Signal voltage at FM 400Hz, 75kHz DEV.
  - 4. OTHERS:  
⊞: Signal route.  
⊙: Adjusting point
- The  $\Delta$  mark found on some component part indicates the importance of the safety factor of the part. Therefore, when replacing, be sure to use parts of identical designation.



1. RESISTORS:  
Indicated in Ω, 1/4W, ±5% tolerance unless otherwise noted; k; M; MΩ; (F); ±1%, (M); ±20% tolerance
2. CAPACITORS:  
Indicated in capacity (μF)/voltage(V) unless otherwise noted; p; pF  
Indication without voltage is 50V except electrolytic capacitor.

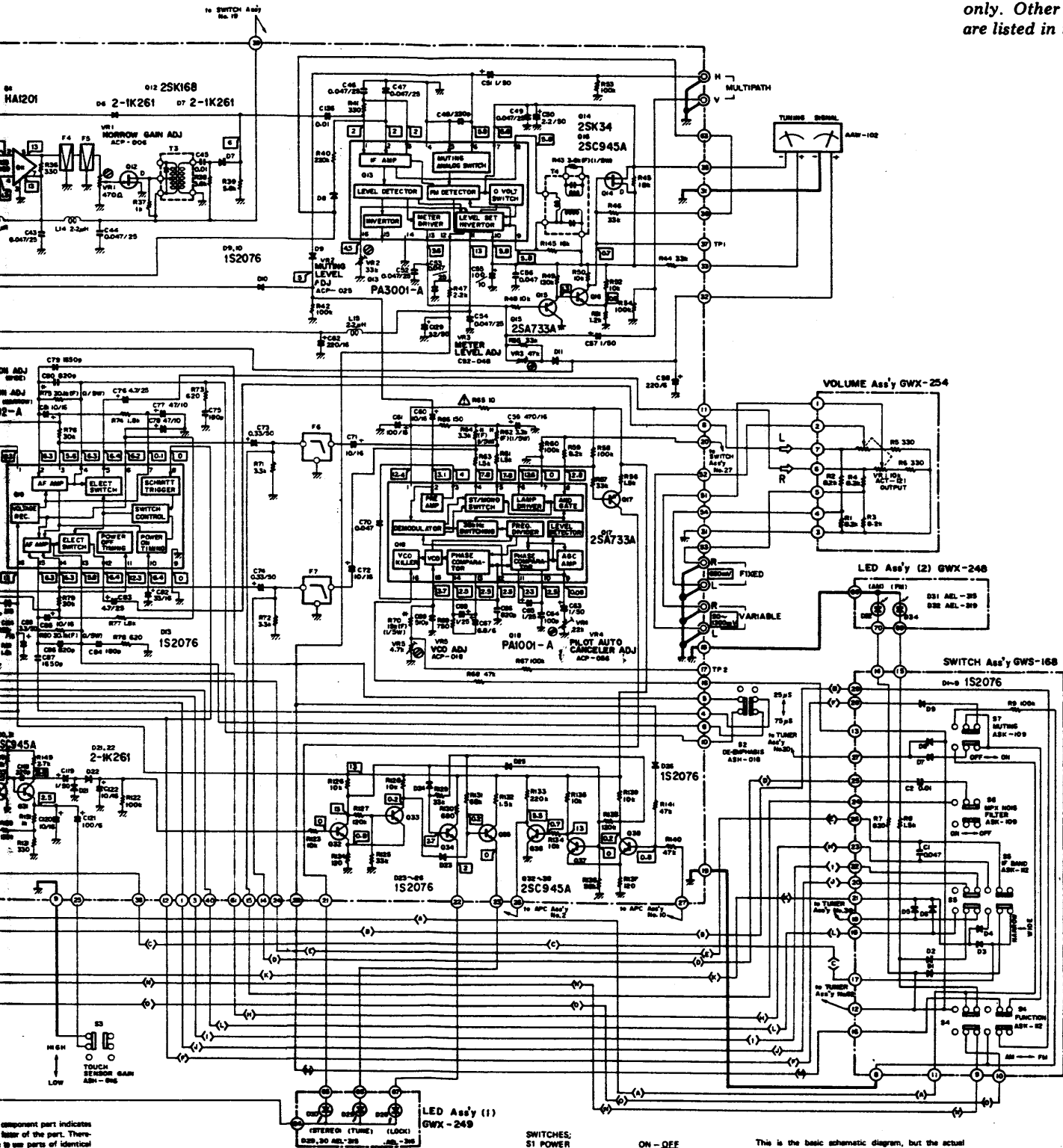
3. VOLTAGE, CURRENT;  
[ ]: DC voltage (V) at no input signal  
[ ]: mA; DC current at no input signal.  
[ ]: Signal voltage at FM 400kHz, 75kHz DEV.
4. OTHERS:  
[ ]: Signal route.  
[ ]: Adjusting point

The Δ mark found on some component part indicates the importance of the safety factor of the part. Therefore, when replacing, be sure to use parts of identical designation.



- SW1 POWER
- SW2 DE-56
- SW3 TOUCH
- SW4 FUNC
- SW5 IF BA
- SW6 MPX
- SW7 MUTI

**NOTE:**  
 The indicated semiconductors only. Other alternative semiconductors are listed in the parts list.



component part indicates  
 base of the part. There-  
 to use parts of identical

- SWITCHES:**
- |                      |               |
|----------------------|---------------|
| S1 POWER             | ON - OFF      |
| S2 DE-EMPHASIS       | 25µs - 75µs   |
| S3 TOUCH SENSOR GAIN | HIGH - LOW    |
| S4 FUNCTION          | FM - AM       |
| S5 IF BAND           | NARROW - WIDE |
| S6 MPX NOISE FILTER  | QEE - ON      |
| S7 MUTING            | ON - OFF      |
- The underlined indicates the switch position.

This is the basic schematic diagram, but the actual circuit may vary due to improvements in design.