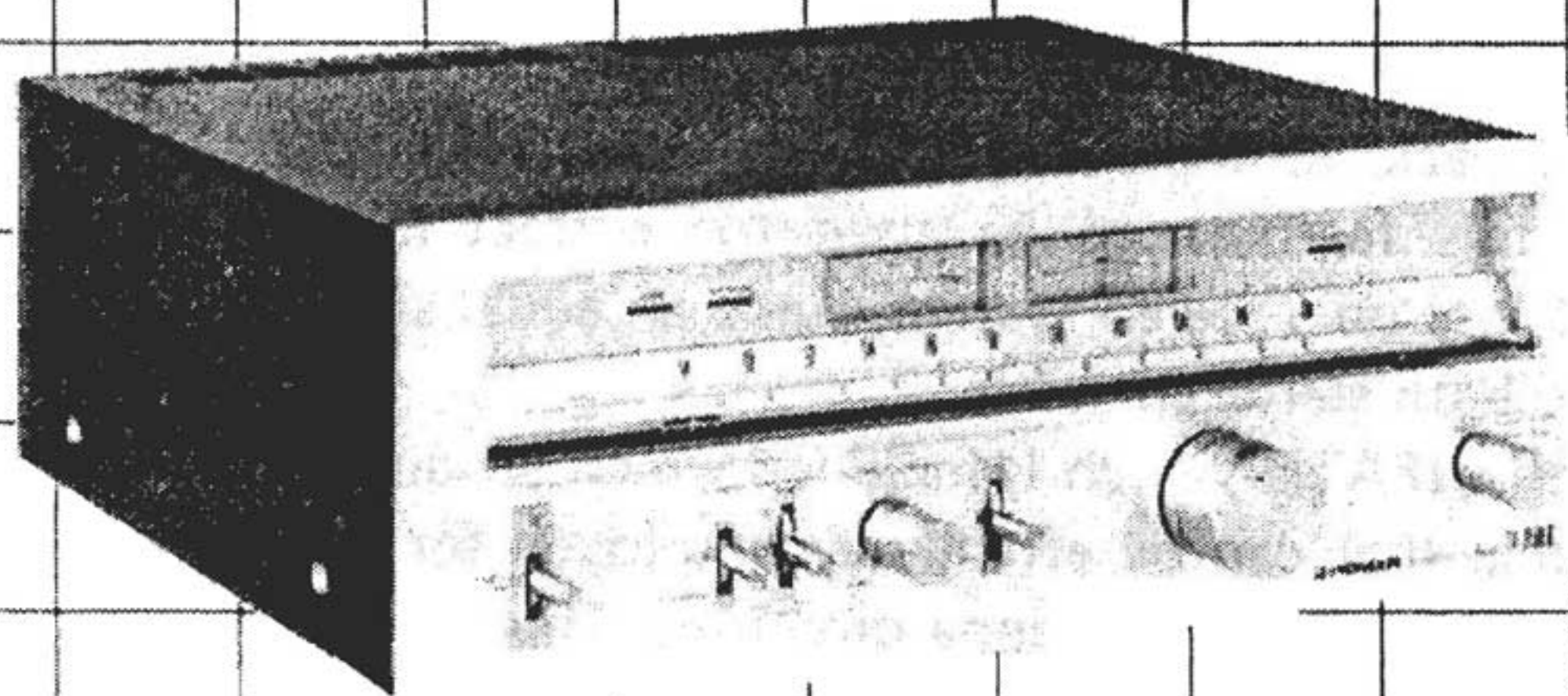


AM/FM STEREO TUNER

TX-9500II

OPERATING INSTRUCTIONS

KC
KU



IMPORTANT NOTICE

The serial number for this equipment is located on the rear panel. Please write this serial number on your enclosed warranty card and keep in a secure area. This is for your security.

 PIONEER

WARNING: TO PREVENT FIRE OR SHOCK HAZARD,
DO NOT EXPOSE THIS APPLIANCE TO RAIN OR
MOISTURE.

FEATURES

Highly Sensitive FM Front End

Rejection of spurious signals, images and other types of interference is strongly enhanced by the 5-gang variable capacitor tuning circuit and three high gain, low noise dual gate MOS FET devices. This design also reduces phase distortion in the front end, leading to linear phase response in the RF stage. Inclusion of a buffer amplifier in the local oscillator circuit prevents interference under strong signal input conditions, ensuring enjoyment of stable FM reception.

Selectable Bandwidth IF Amplifier

IF amplifier response can be selected for wide or narrow bandwidth according to signal conditions. In the wideband mode, a newly developed SAW (surface acoustic wave) filter and 4 pole phase linear filter are utilized. These possess excellent group delay time flatness characteristics and provide superior phase response in comparison to conventional ceramic filters. Nearly ideal wide phase response and selectivity are realized together with ultra low distortion.

In the narrow band mode, a 10 element ceramic filter is switched in to provide ultra high selectivity. This setting allows comfortable reception in locations where there is strong adjacent interference to the desired station.

Automatic Pilot Signal Cancelling Circuit

Earlier multiplex circuit designs employed 19kHz pilot signal blocking filters and thus exhibited a hint of reduction in frequency response at the high end of the band. This drawback is overcome by a newly developed PLL IC which includes an automatic pilot signal cancelling circuit. Since carrier leakage can also be amply suppressed, the new device actually extends frequency response at high frequencies. The demodulator includes a negative feedback (NFB) circuit for improved SN ratio and minimum distortion.

Convenient Recording Facilities

High quality recordings from FM broadcasts depend in large measure on proper recording level settings and correct FM antenna direction. The REC LEVEL CHECK switch on the TX-9500II activates a built-in 440Hz tone burst signal corresponding to a 50% modulated FM level which can be used as a reference for setting the recording level controls on the tape deck. In addition to determining levels prior to recording, this feature can be used for correct balance control settings on a stereo system, since an equal signal is provided to both stereo channels.

An FM MULTIPATH switch is included which produces an audible signal that can be effectively employed for determining the optimum FM antenna direction. This signal can also be monitored with an oscilloscope.

High Performance AM Tuner with Newly Developed IC

The AM section incorporates a 3-gang variable capacitor tuned type RF amplifier circuit and a highly sensitive, low distortion IC. Together with possessing superb imaging and IF rejection properties, selectivity and frequency response become advanced to new levels. Optimum AGC voltage is supplied to each section, providing stable reception with low spurious interference and distortion even in localities with strong field strength conditions.

AF IC Includes Built-in Muting Circuit

Full NFB is applied in the wide dynamic range differential direct coupled audio frequency amplifier circuit, while the muting circuit incorporates the most recent electronic circuit technology. By including both these circuits in a newly developed IC, low distortion and high S/N are realized which approach the values associated with test instrumentation. Smooth, noise-free reception is thus assured.

CONTENTS

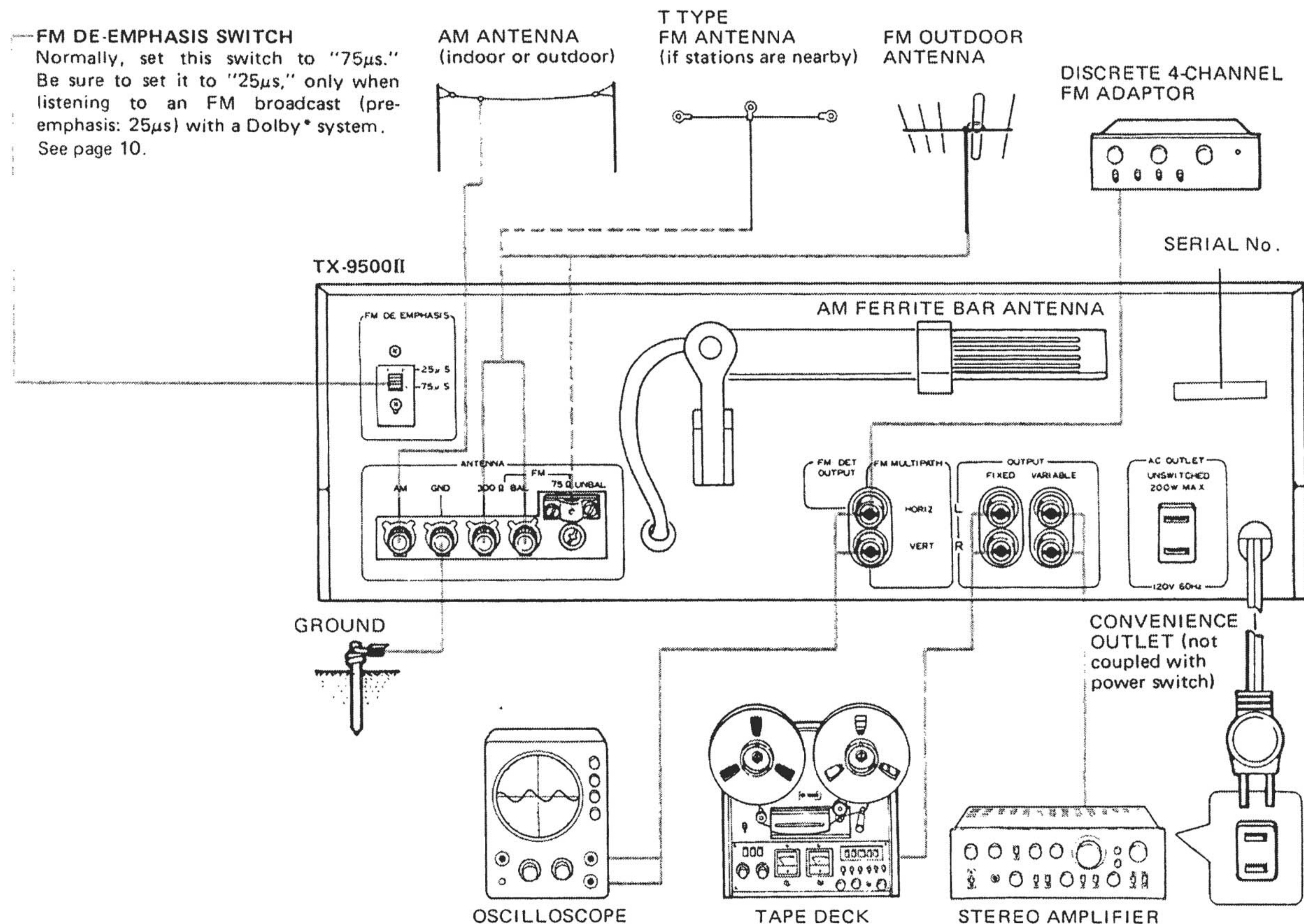
Features	2	Listening to Broadcasts	6
Installation Cautions	3	Effective Operation	8
Connection Diagram	3	FM-Dolby Reception	10
Connections	4	Specifications	11
Antenna Connections	4	Conditions Frequently Mistaken for Malfunction	12
Front Panel Facilities	6		

INSTALLATION CAUTIONS

To ensure long term reliable performance, avoid installing the TX-9500II in locations such as the following:

Locations to be avoided	Possible detrimental effects
<ul style="list-style-type: none"> • Direct sunlight, radiators or other heat sources. Above or near high power stereo amplifiers or power transformers. • Sites subject to poor ventilation, high humidity or moisture. • Dusty locations • Where AM radio or TV set is being used simultaneously. • Locations where alcohol, insect sprays or volatile materials are used or stored. 	<ul style="list-style-type: none"> • External heating can cause deterioration of circuit components and may prevent stable operation. • Corrosion of terminal contacts which can lead to faulty connections. Humidity and moisture can also cause defective insulation, present the risk of leakage currents and overheating of circuit components. • Internal accumulations of dust can absorb moisture and lead to faulty insulation. • Mutual interference can occur from oscillator circuits used in these products. • Appearance and finish of front panel can be damaged.

CONNECTION DIAGRAM



* The word "Dolby" is a trademark of Dolby Laboratories Inc.

CONNECTIONS

Connection Notes

- Output level at the OUTPUT (VARIABLE) jacks is adjustable with the front panel OUTPUT LEVEL control. Output level at the FIXED jacks is not adjustable.
- Upper jack of each pair is for the left (L) channel and lower jack for the right (R) channel. As stereo amplifier and tape deck are also provided with L and R channel jacks, use care to connect the channels correctly (L to L and R to R) in order to obtain proper stereo reproduction.
- Plug connecting cords firmly into the jacks. Loose connections can cause absence of sound or noise.
- Do not bundle input and output cords with power and speaker cords. Also avoid using longer cords than necessary. These practices can result in noise, impaired sound quality and possible operating difficulties.

CONNECTIONS TO STEREO AMPLIFIER

Use the accessory connecting cords to connect the OUTPUT (VARIABLE) jacks with the tuner jacks of a stereo amplifier.

CONNECTIONS TO TAPE DECK

A tape deck can be connected directly to the TX-9500II to allow recording from broadcasts. Connect the recording input (LINE INPUT) jacks of the tape deck to the OUTPUT (FIXED) jacks.

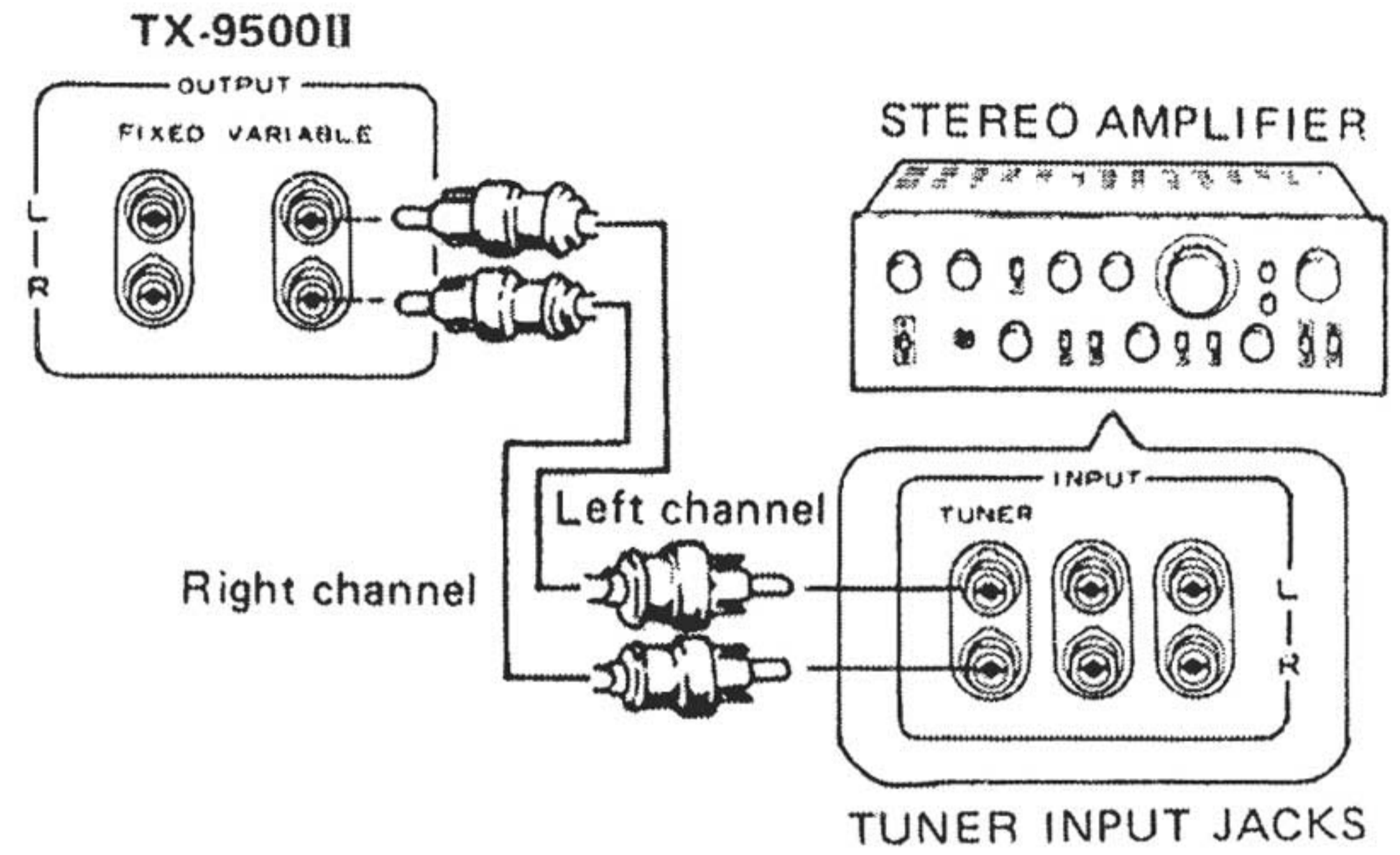


Fig. 1

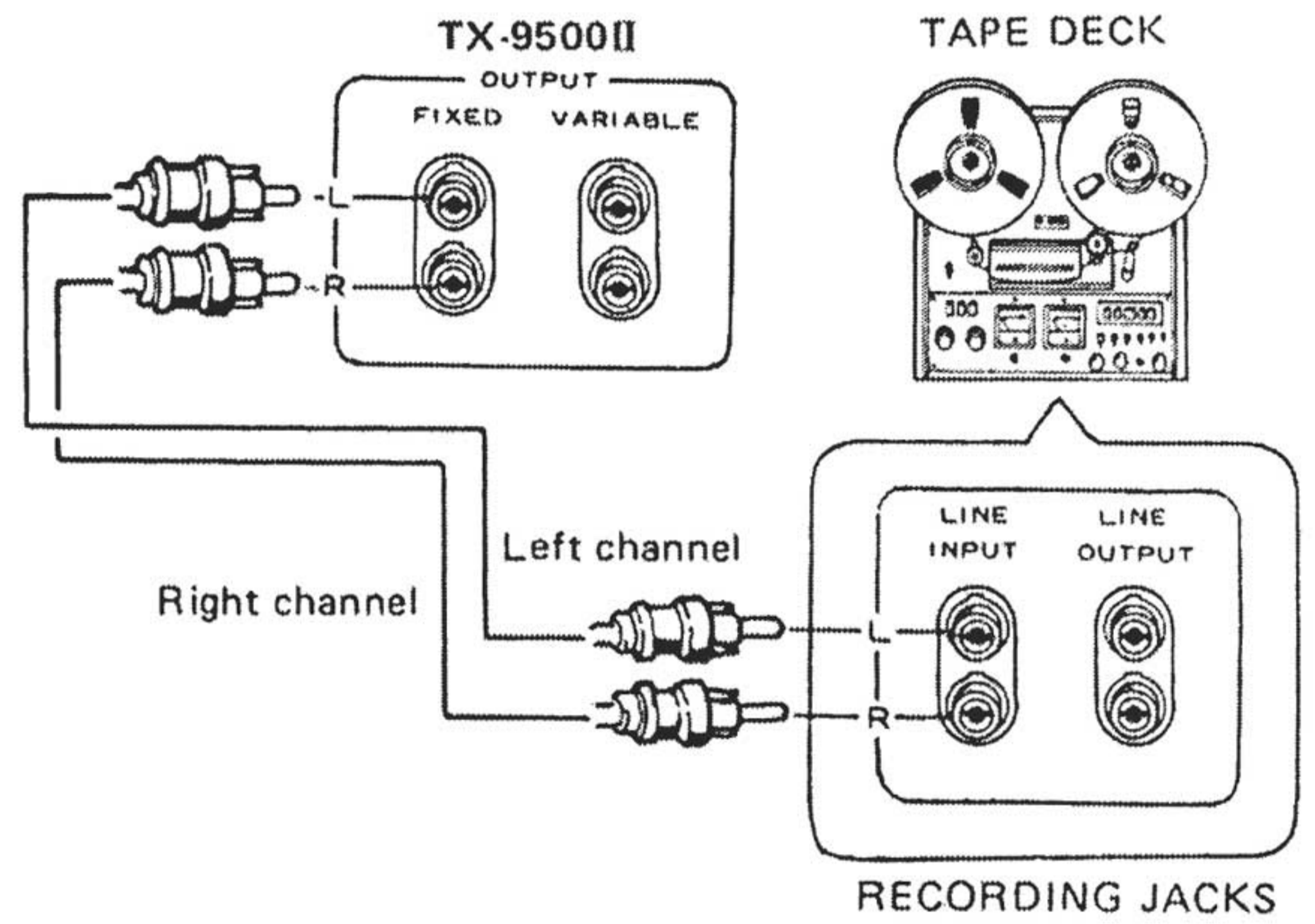


Fig. 2

ANTENNA CONNECTIONS

FM ANTENNAS

FM broadcast signals deteriorate in mountainous areas, amid tall buildings, within metal framed structures and similar locations. In locations where signals are weak, reflected signals from mountains and man-made structures can be picked up by the antenna to produce multipath distortion. For these reasons, both the antenna and its installation site must be selected according to ambient conditions and signal strength. See additional description of multipath distortion on Page 8.

Outdoor FM Antennas

An outdoor FM antenna is recommended to obtain an input signal with which the TX-9500II can display its full performance capabilities.

- While listening to an FM station (see FM Reception on Page 6), determine the antenna

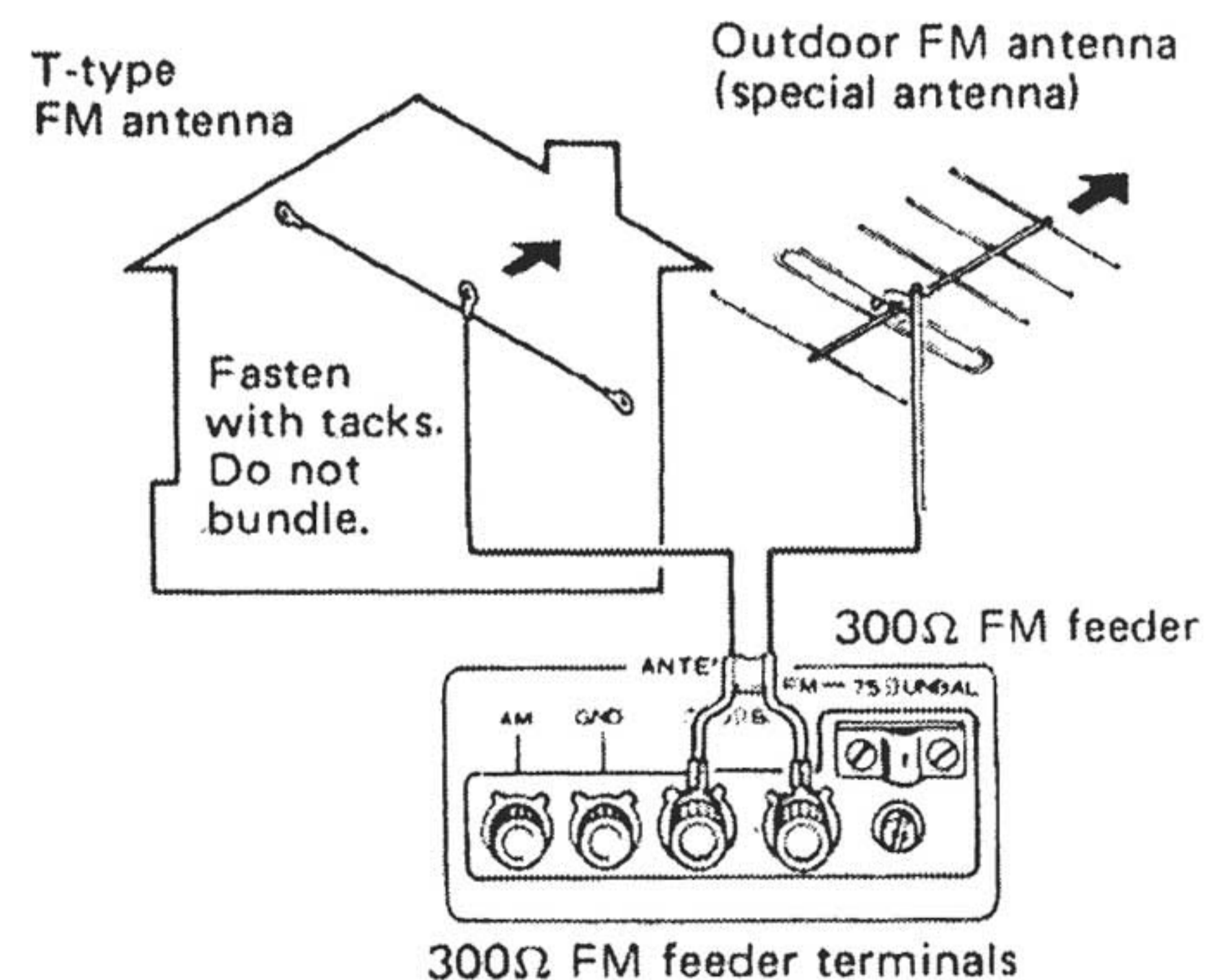


Fig. 3

direction for optimum reception, then install it securely.

- According to type of antenna, employ 300ohm feeder or 75ohm coaxial cable for connection. **300ohm feeder:** This is suitable in locations where external noise is not a problem and if the distance between the antenna and the TX-9500II is short. Connect to the 300ohm BAL terminals as shown in Fig. 3.

75ohm coaxial cable: Recommended in locations where external noise is incurred due to street traffic, high voltage power lines or other causes. Also employed if distance between antenna and TX-9500II is relatively large. Connect to the 75ohm UNBAL terminal as shown in Fig. 4.

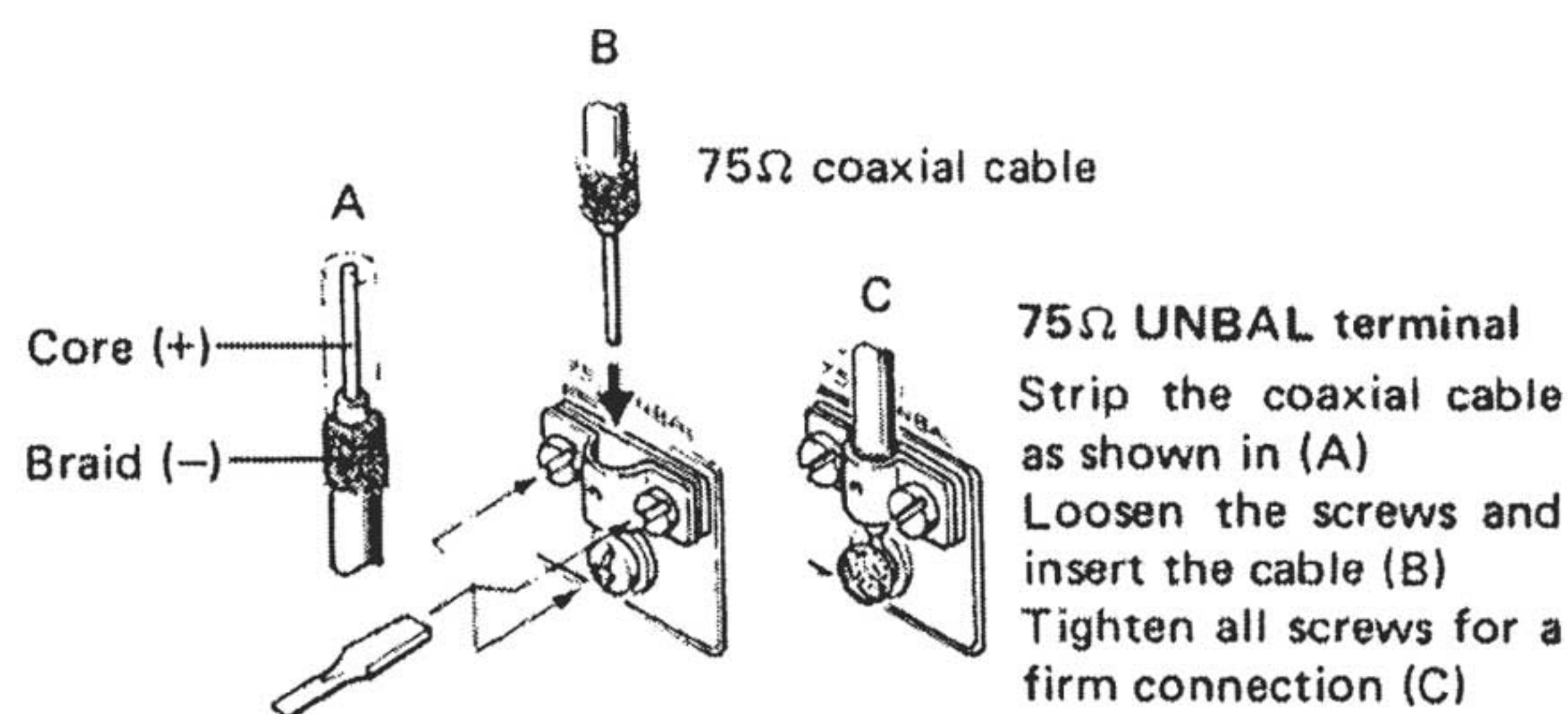


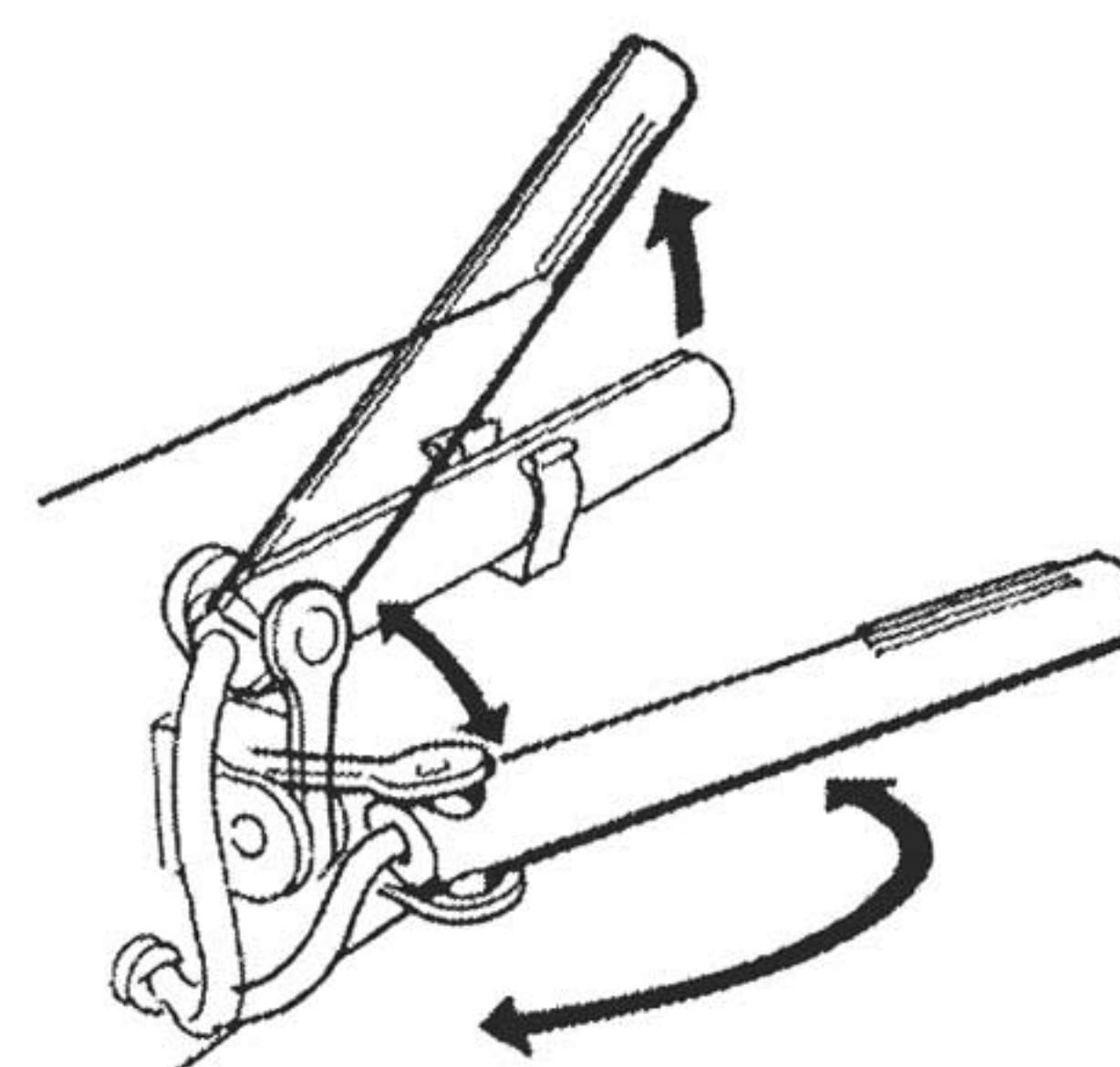
Fig. 4

NOTE:

Consult a reliable audio dealer regarding FM antenna and 75ohm cable installation.

T Type Dipole FM Antenna

The accessory T type FM antenna can be employed in locations where FM signals are strong, such as those near transmitting stations or within wooden structures. As shown in Fig. 3, connect the T type FM antenna to the 300ohm BAL terminals. While listening to FM stations, open the antenna to a T shape, rotate it 180° to determine where the best reception is obtained, then attach it to a wall or ceiling.



Move bar antenna and position it for best reception

Fig. 5

AM ANTENNAS

While listening to AM stations (see AM Reception on Page 7), move the rear panel ferrite bar antenna and position it for best reception.

- In cases when the bar antenna is insufficient for adequate reception, an indoor AM antenna can be made from a length (5 to 6 meters) of vinyl insulated wire. As shown in Fig. 6, connect one end of the wire to the AM antenna terminal and suspend the free end from a wall or ceiling at as high a location as possible.
- If reception is still difficult with an indoor antenna, use vinyl insulated wire to erect an outdoor AM antenna between two supports as shown in Fig. 6.

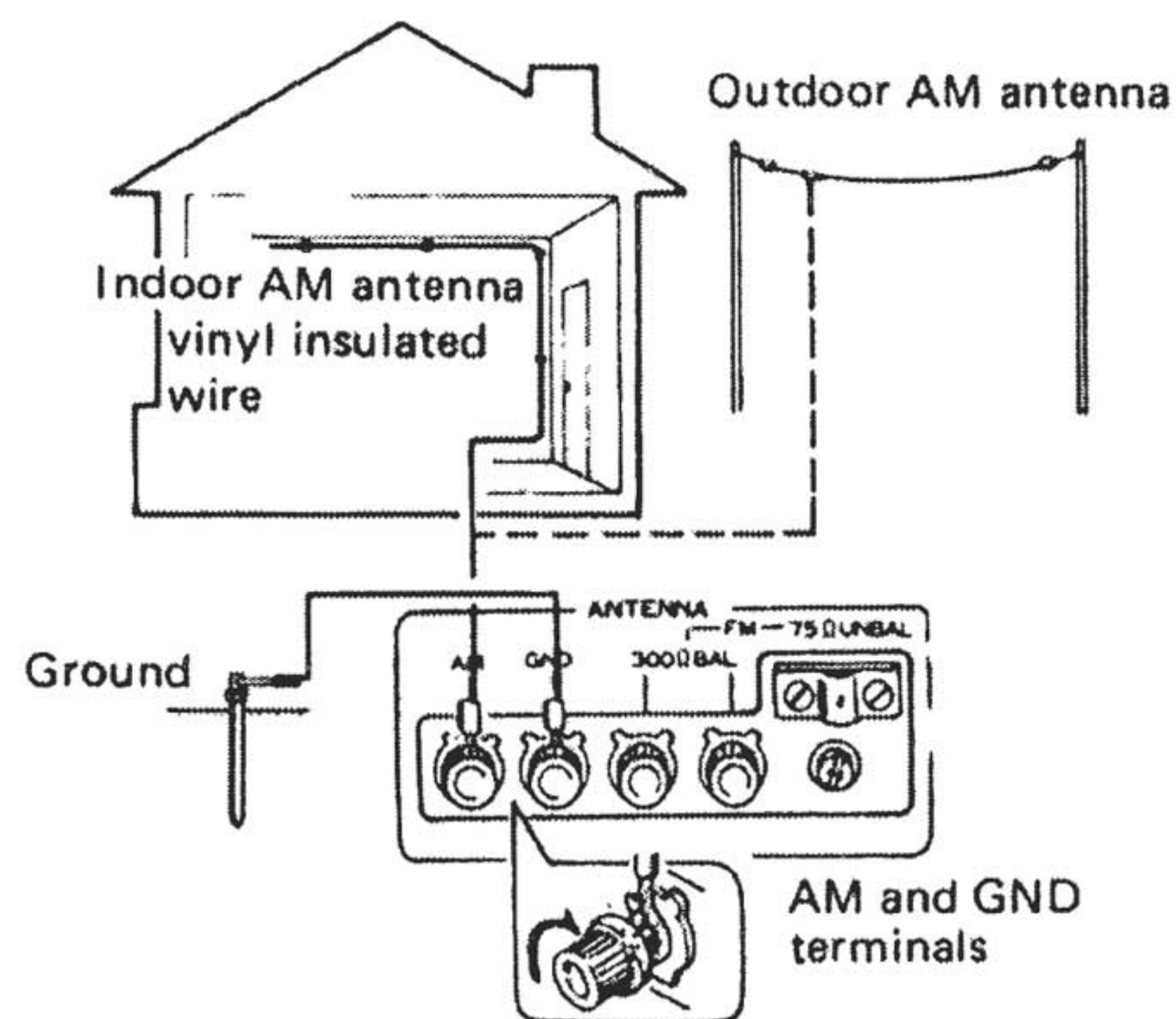


Fig. 6

GROUNDING

From aspects of both safety and reduced noise, if possible employ a ground as shown in Fig. 6. Connect the ground lead to the GND terminal of the TX-9500II. Consult a qualified electrician regarding proper grounding techniques.

FRONT PANEL FACILITIES

POWER SWITCH

Set to ON position to turn on power. Pilot lamp will light.

IF BAND SWITCH

FM IF (intermediate frequency) passband can be set to for wide or narrow.

WIDE: Normally set switch to this position.

NARROW: If adjacent station interference is a problem at the WIDE setting, set switch to this position.

See further description under the heading "IF BAND Switch" on Page 8.

MULTIPATH/REC LEVEL CHECK SWITCH

Single lever operates both MULTIPATH and REC LEVEL CHECK switches. With the FUNCTION switch at FM, set as required for the application. Be sure to return it to the OFF position when it is not being used.

MULTIPATH ON: Multipath sound becomes audible from speakers. When installing FM antenna, select antenna location and direction so as to minimize this sound. See additional description under the heading "FM Multipath Distortion" on Page 8.

OFF: Normally set switch to this position.

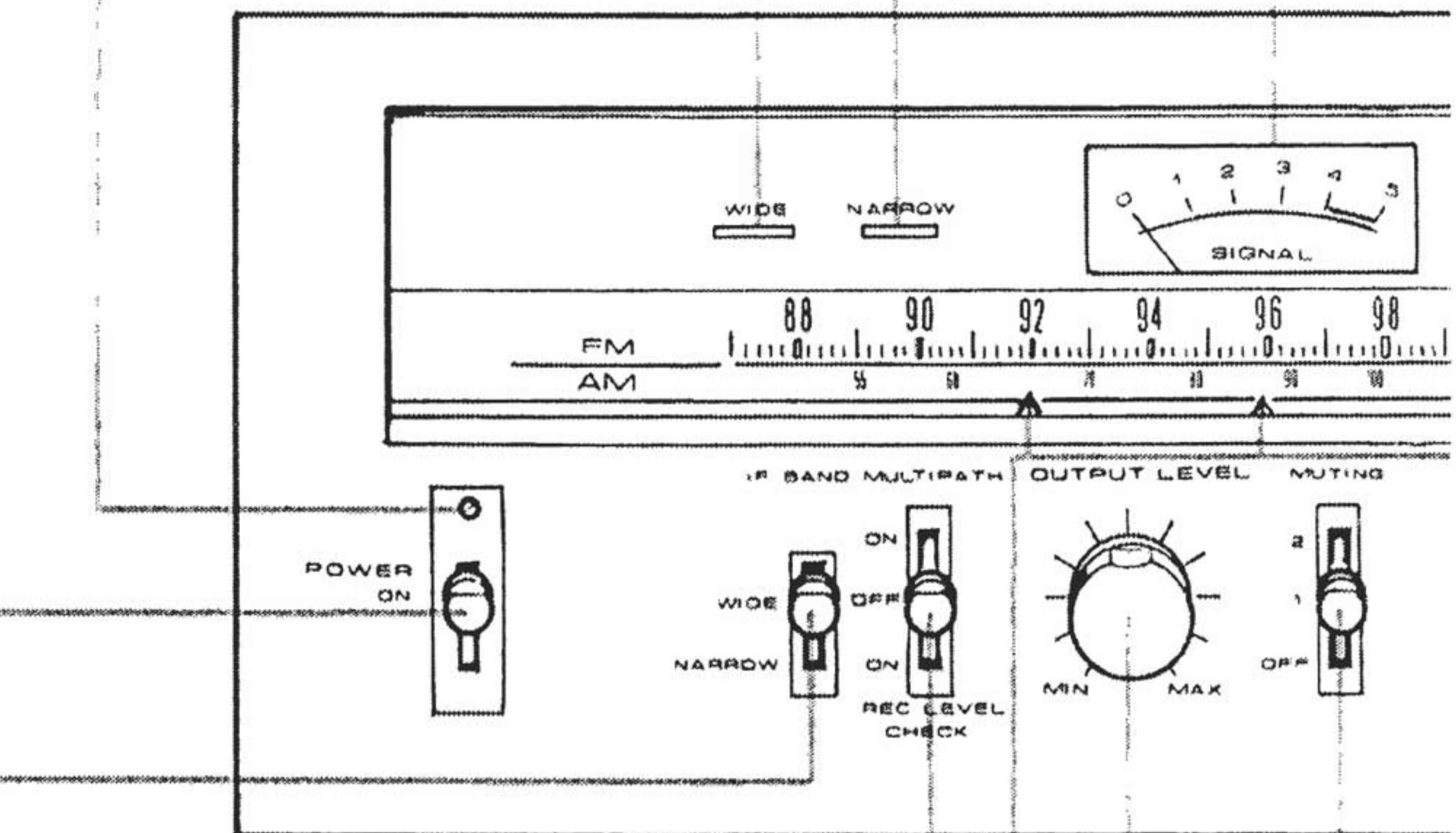
REC LEVEL CHECK ON: Use this position for setting recording levels of tape deck. A 440Hz signal (level corresponding to 50% FM modulation) is produced at approximately 1.7 second intervals.

SIGNAL METER

Employ when tuning AM and FM stations. Optimum tuning point occurs when maximum meter deflection toward the right is obtained.

IF BAND INDICATOR

PILOT LAMP



MEMORY MARKERS

Convenient for designating most often tuned in stations. Slide markers with fingertip to desired positions.

OUTPUT LEVEL CONTROL

Adjusts level at OUTPUT (VARIABLE) jacks. Clockwise rotation increases output level. See "OUTPUT jacks and OUTPUT LEVEL control" on Page 8.

LISTENING TO BROADCASTS

FM RECEPTION

1. Set FUNCTION switch to FM AUTO.
2. Set MULTIPATH/REC LEVEL CHECK switch to OFF.
3. Normally set the MUTING switch to 1 position. However, in locations where signals are very weak, set switch to OFF.
4. Set IF BAND switch to WIDE. If reception of desired station is difficult due to interference from an adjacent station, set this switch to NARROW.
5. Turn the TUNING knob to select desired station. Tune for maximum deflection of the SIGNAL meter toward the right and center of

scale indication on the TUNING meter, as shown in Fig. 7. The STEREO indicator lights during FM stereo reception. It does not light during monophonic reception.

- If signals are weak or noisy, it may be advisable to set to FM MONO.
- If comparatively high frequency noise becomes objectionable during FM stereo reception, set switch to FM NOISE FILTER.

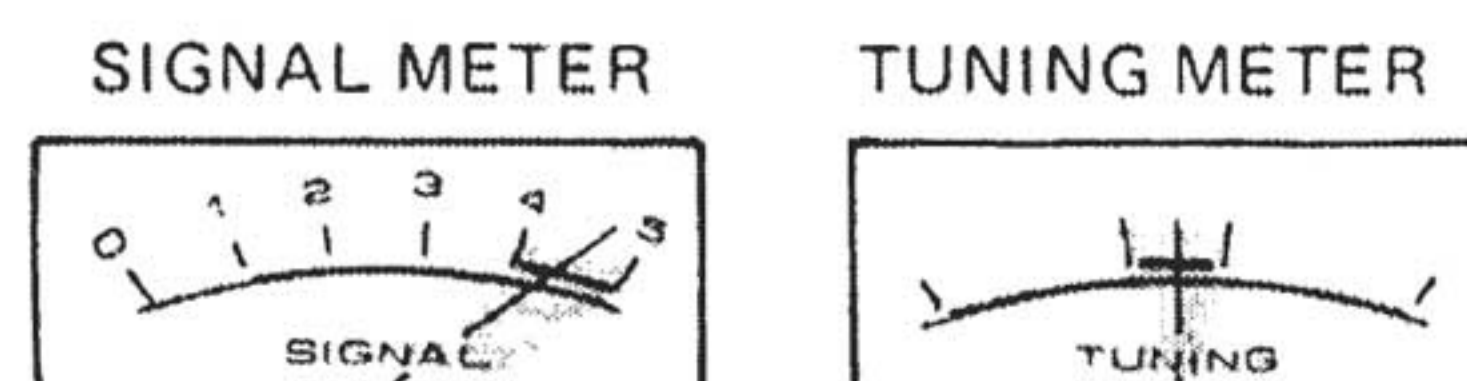


Fig. 7

TUNING METER

Use when tuning FM stations. First tune for maximum deflection of the SIGNAL meter (toward the right), then tune carefully so that the meter indicates center of scale (optimum tuning point).

FM STEREO INDICATOR

With the FUNCTION switch set to FM AUTO (or FM NOISE FILTER), the indicator will light during stereo signal reception.

FUNCTION SWITCH

Switch for selecting type of reception.

AM: AM broadcast reception.

FM AUTO: FM stereo reception. If broadcast is FM mono, the mono mode is automatically selected.

FM NOISE FILTER: Set to this position if comparatively high frequency noise becomes objectionable during FM stereo reception. Note that some loss of stereo separation occurs at this position.

FM MONO: FM monophonic reception. Set to this position if reception at FM AUTO position is noisy or signals weak.

MUTING SWITCH

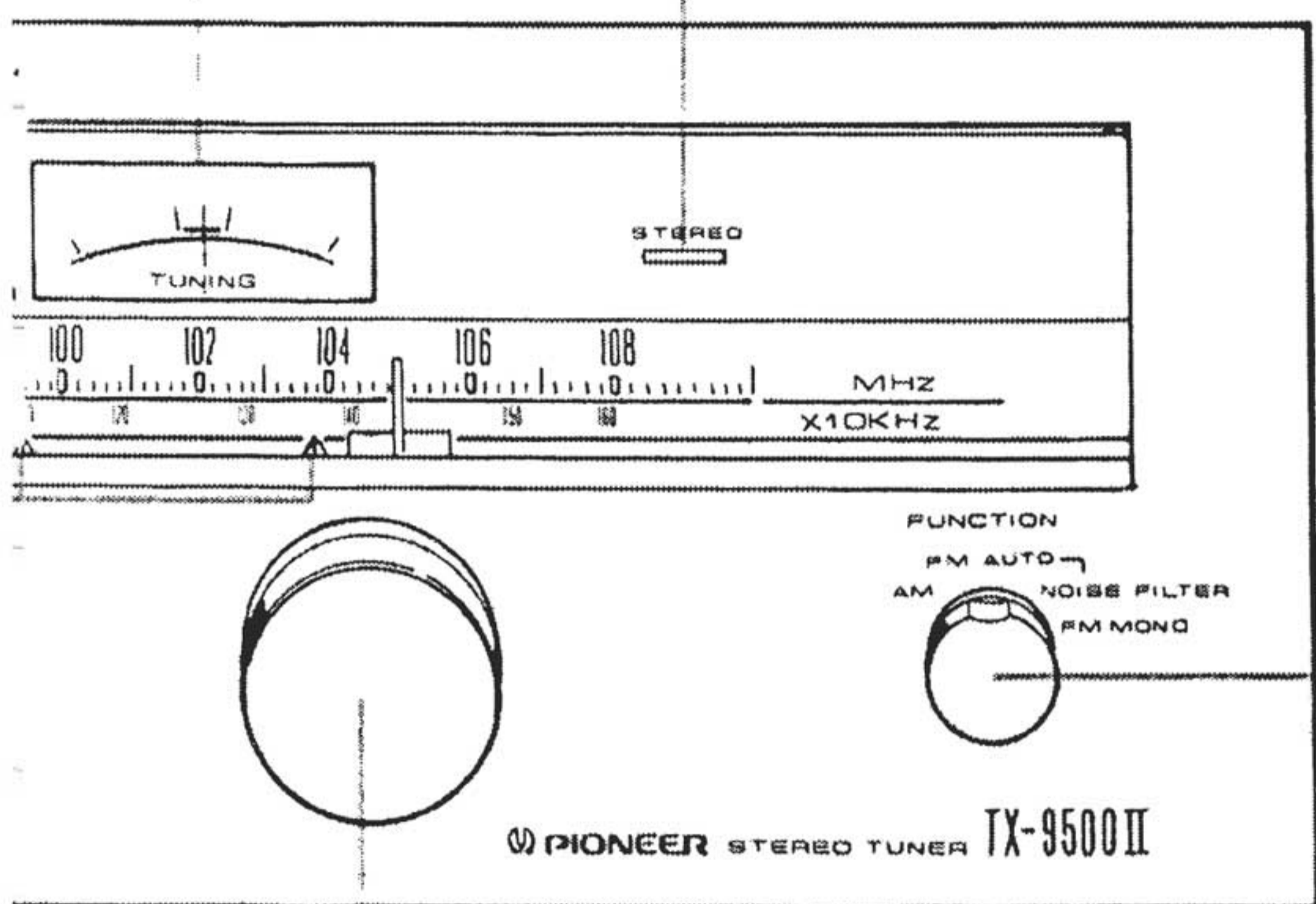
Controls circuit for cancelling bothersome interstation noise when tuning FM stations to provide a comfortable tuning operation.

- 2: Set to this position to receive only strong stations.
- 1: If desired station cannot be received at position 2, set switch to this position.
- OFF: Set to this position in locations where signals are extremely weak.

See "MUTING Switch" on Page 8 for additional description.

TUNING KNOB

Knob for selecting stations. Refer to the SIGNAL meter when tuning AM stations and to both SIGNAL and TUNING meters when tuning FM stations.



AM RECEPTION

1. Set FUNCTION switch to AM.
2. Turn the TUNING knob to select desired station. Tune for maximum deflection of the SIGNAL meter toward the right, as shown in Fig. 8.

- If the stereo amplifier is connected to the OUTPUT (VARIABLE) jacks, volume can be adjusted by the OUTPUT LEVEL control.

NOTE:

If sensitivity is poor or reception noisy when listening to FM or AM Receptions, refer to Page 4 "Antenna Connections" and inspect again the antenna installation.

SIGNAL METER



Fig. 8

EFFECTIVE OPERATION

OUTPUT JACKS AND OUTPUT LEVEL CONTROL

Output level at the OUTPUT (VARIABLE) jacks can be adjusted by the front panel OUTPUT LEVEL control. In addition to the VARIABLE jacks, the FIXED jacks are provided with a fixed level output.

Employing VARIABLE Jacks

By connecting these to a stereo amplifier, the OUTPUT LEVEL control can be used to adjust the TX-9500II output to match those of other components connected to the stereo amplifier. This conveniently simplifies operation of the stereo amplifier in that it eliminates the need for readjusting its volume control when selecting program sources.

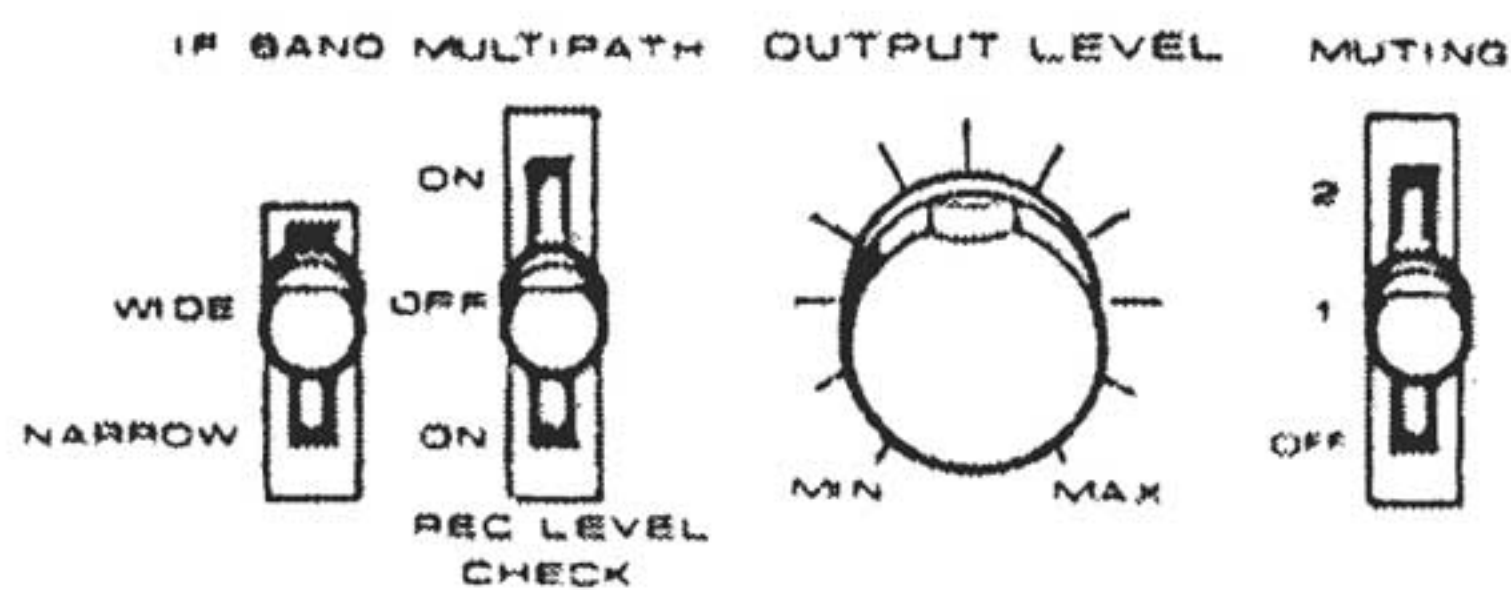


Fig. 9

MUTING SWITCH

An annoying interstation noise becomes audible on the FM band when tuning between stations. The muting circuit cancels this noise to allow comfortable station tuning. Muting degree can be selected in 2 steps according to signal strength.

- Set switch to position 1 in locations where transmitting stations are at comparatively intermediate distances.
- When transmitting stations are comparatively nearby (or when a weak adjacent station is present) set the switch to position 2.
- In locations where signals are very weak, set the MUTING switch to OFF. Although noise will be increased, it will be possible to receive distant and weak signal stations.

IF BAND SWITCH

The IF passband of the TX-9500II is selectable for NARROW and WIDE modes. If an adjacent station interferes with a desired station, set switch to NARROW to increase selectivity and avoid mixed signal problems. For example, if a strong station is adjacent to a desired station, set the MUTING switch to 1 or OFF, then set IF BAND switch to NARROW to permit reception of the desired station. Conversely, when adjacent station effects are absent, set this switch to WIDE in order to obtain better quality reception.

REC LEVEL CHECK

Proper recording level setting of the tape deck is required for producing good quality recordings from FM broadcasts. This is ordinarily quite difficult since the output level of FM broadcasts varies continuously.

By setting the REC LEVEL CHECK switch to ON, a 440Hz reference signal at level corresponding to 50% FM modulation is produced. Optimum recording levels can then be set regardless of the program.

Setting Recording Level

1. Connect tape deck.
2. Set FUNCTION switch to FM position and tune in desired station.
3. Set REC LEVEL CHECK switch to ON. A 440Hz signal will be produced at approximately 1.7 second intervals at the OUTPUT (FIXED and VARIABLE) jacks.
4. Adjust recording levels of the tape deck so that its level meters deflect in the following ranges:
 - Open reel deck: 0 to +2dB
 - Cassette deck: Approximately -2dB
5. Set REC LEVEL CHECK switch to upper (OFF) position and record FM program.

Since the output level of this signal is the same for left and right channels, it can also be employed as a convenient reference signal for adjusting the left and right channel balance of the stereo system connected to the OUTPUT jacks.

FM MULTIPATH DISTORTION

Multipath distortion occurs when FM signals are reflected from interfering objects and enter the antenna from various directions, as shown in Fig. 10. Due to the different distances travelled by the reflected signals, the slight time difference with which they strike the antenna causes mutual interference. This results in phase distortion, distortion of received sound, reduced channel separation and SN ratio. Especially in locations where signals are weak, these effects become easily incurred. In order to minimize multipath distortion, use a sharply directional antenna and adjust antenna height and direction according to the following steps.

Adjustment Using MULTIPATH Switch

1. Set FUNCTION switch to FM AUTO and tune in FM station (it is not necessary to use the rear panel MULTIPATH jacks).
2. With the MULTIPATH switch set to ON, the multipath sound (AM synthesis of FM signal reflections) can be heard from both left and right channels.

3. Adjust antenna position and direction to minimize the multipath sound.
4. After completing adjustment, set MULTIPATH switch to OFF. Normal FM stereo broadcasts can then be enjoyed.

Adjustment Using Oscilloscope

1. As shown in Fig. 11, use good quality shielded cable to connect VERT (lower) and HORIZ (upper) MULTIPATH jacks to the vertical and horizontal input terminals of an oscilloscope.
2. Set FUNCTION switch to FM AUTO, tune in an FM station and adjust oscilloscope for a waveform display on the CRT.
3. Adjust antenna direction so that vertical waveform component becomes minimized as shown in Fig. 12-A.

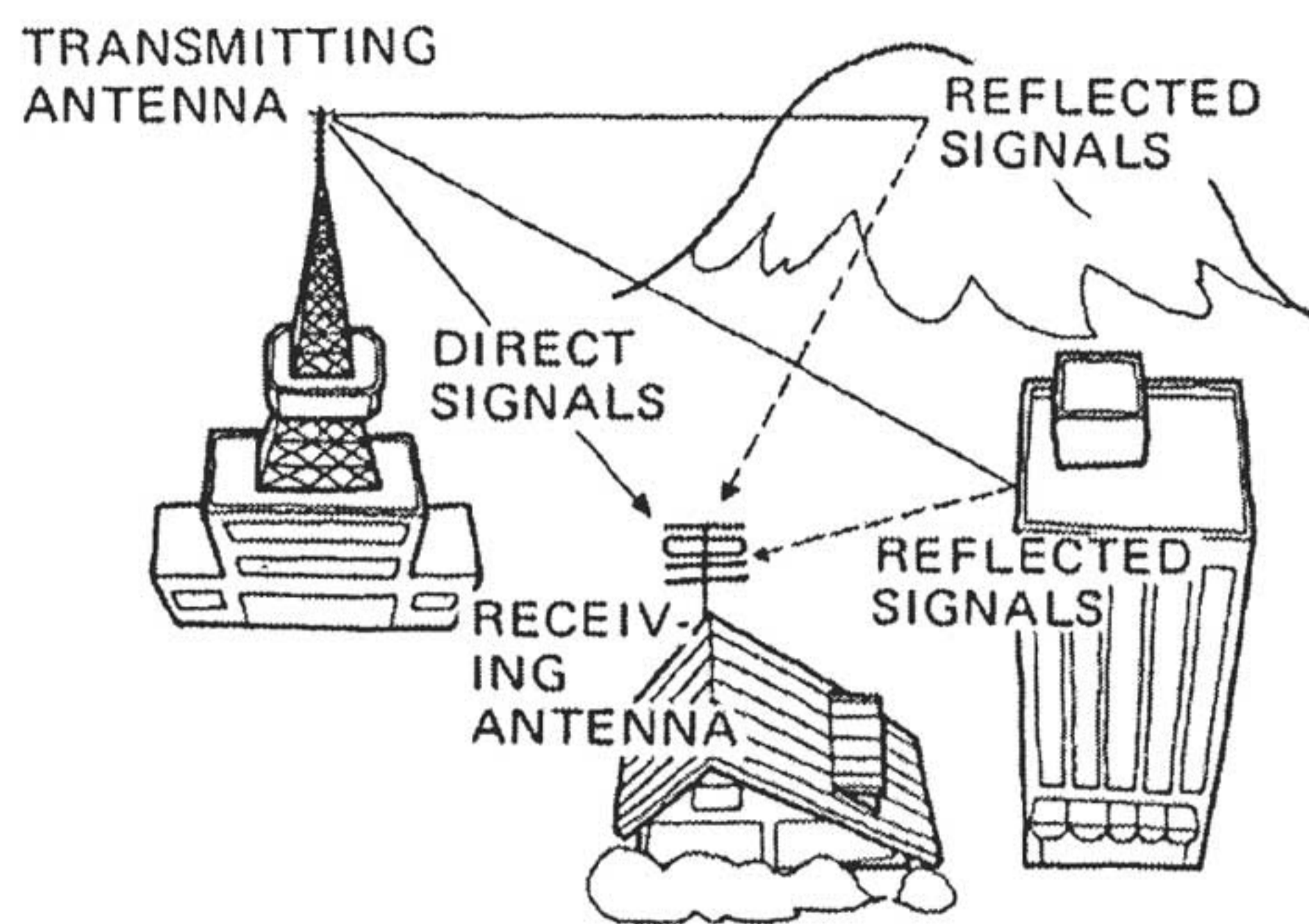


Fig. 10

NOTES:

- When multipath distortion is reduced, the horizontal component becomes nearly linear as shown in Fig. 12-A. If present in large amount, a vertical component (amplitude waveform) becomes apparent as in Fig. 12-B.
- If horizontal axis gain is insufficient for easy waveform observation when employing an oscilloscope for adjustment, instead of connecting the oscilloscope horizontal input to the MULTIPATH HORIZ jack, connect it to the OUTPUT VARIABLE L jack. In this case, the horizontal axis gain can then be adjusted with the OUTPUT LEVEL control.
- Since adjustment with the aid of an oscilloscope can also be performed together with that using the MULTIPATH switch, more precise antenna direction can be determined.
- Optimum multipath detector operation is when SIGNAL meter deflection is below 4.5 of the scale indication.

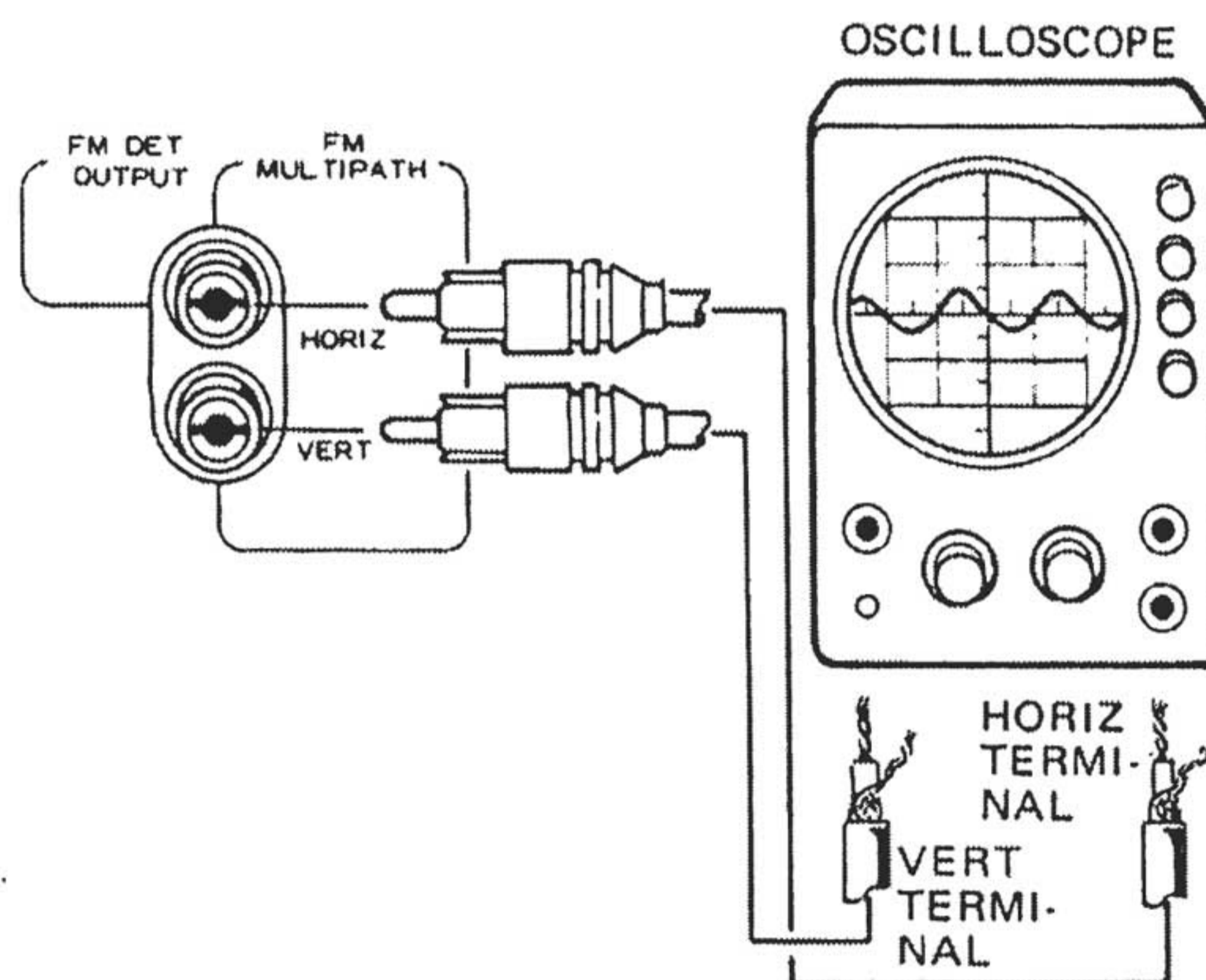


Fig. 11

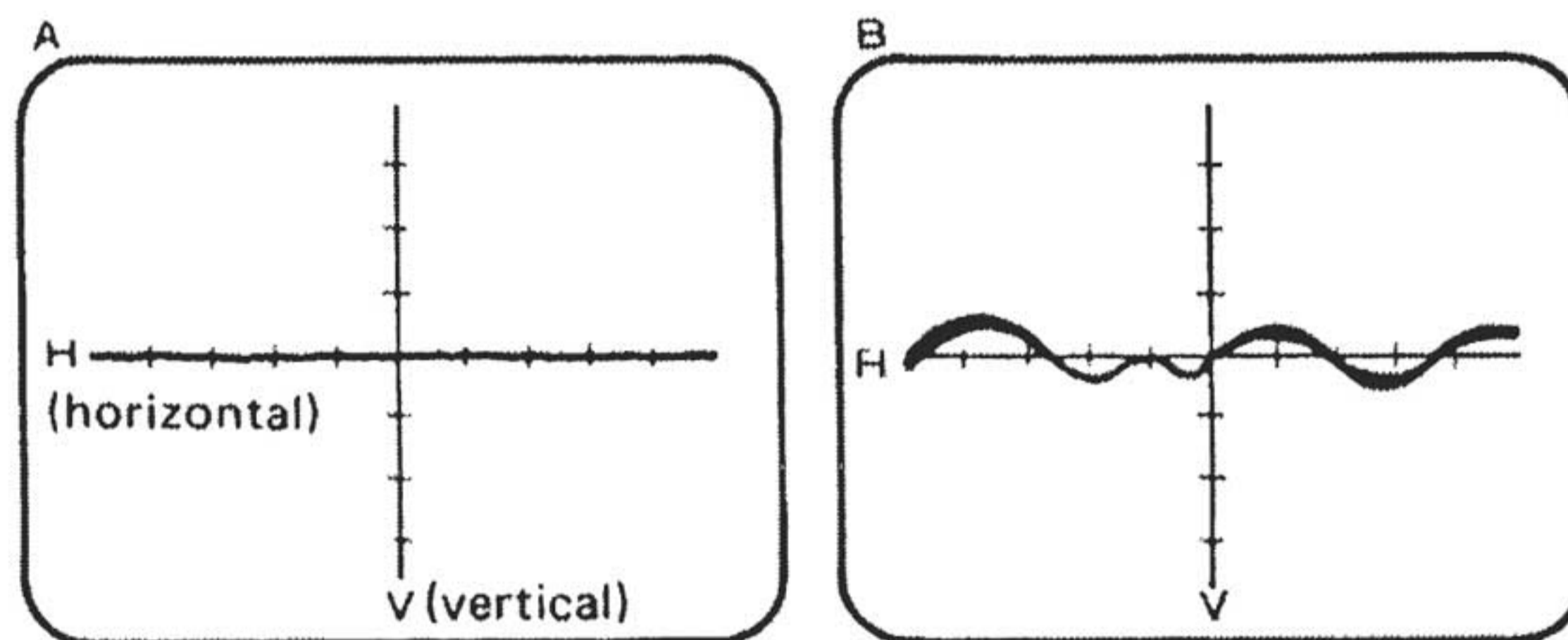
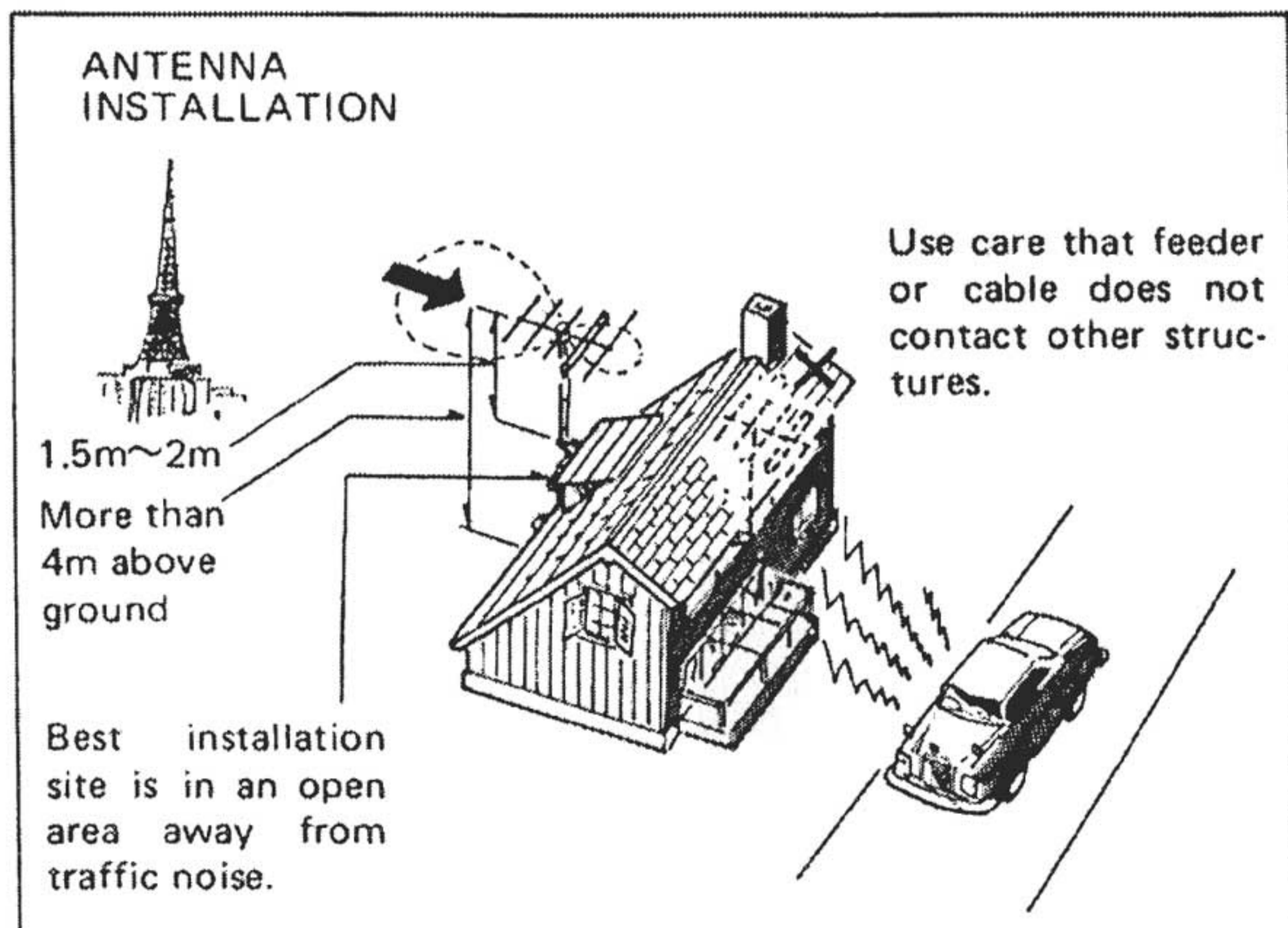


Fig. 12

FM DET OUTPUT JACKS

In locations where discrete four channel FM programs are being broadcast, an adaptor for this format can be connected to these jacks.



FM-DOLBY RECEPTION

The FM DE-EMPHASIS switch is provided to allow reception of FM-Dolby broadcasts in locations where these programs are being transmitted. A separately sold adaptor must be connected to the stereo amplifier in this case, then proceed according to the following steps.

1. As shown in Fig. 13, connect Dolby NR adaptor to the tape (record & play) jacks of the stereo amplifier.
2. Set rear panel FM DE-EMPHASIS switch to 25 μ s.
3. Set TAPE MONITOR switch of stereo amplifier to ON.
4. Set FUNCTION switch to FM position and use the TUNING knob to tune in FM-Dolby broadcast. Tuning is performed in the same manner as described in "FM Reception".
5. Operate adaptor and set for reception. Adjust volume and tone with the controls of the stereo amplifier.

NOTES:

- Refer to the Dolby NR adaptor operating instructions regarding connection and operation.
- When not listening to FM-Dolby broadcasts, be sure to set the FM DE-EMPHASIS switch to 75 μ s.

FM DE-EMPHASIS SWITCH

1. Loosen lower screw, remove plastic cover and set switch to 25 μ s.
2. Loosen upper screw, rotate plastic cover 180° and use this screw to secure.

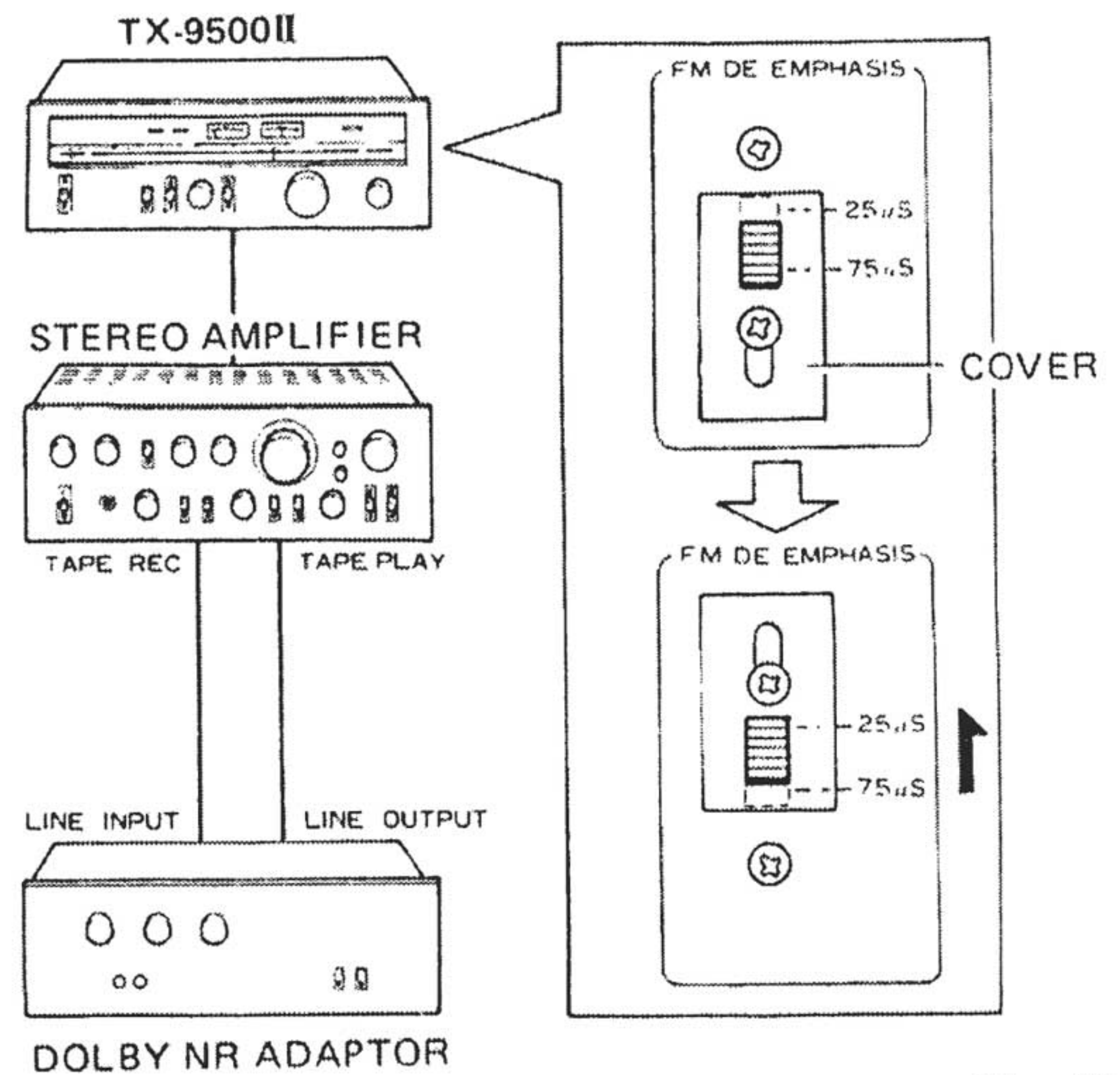
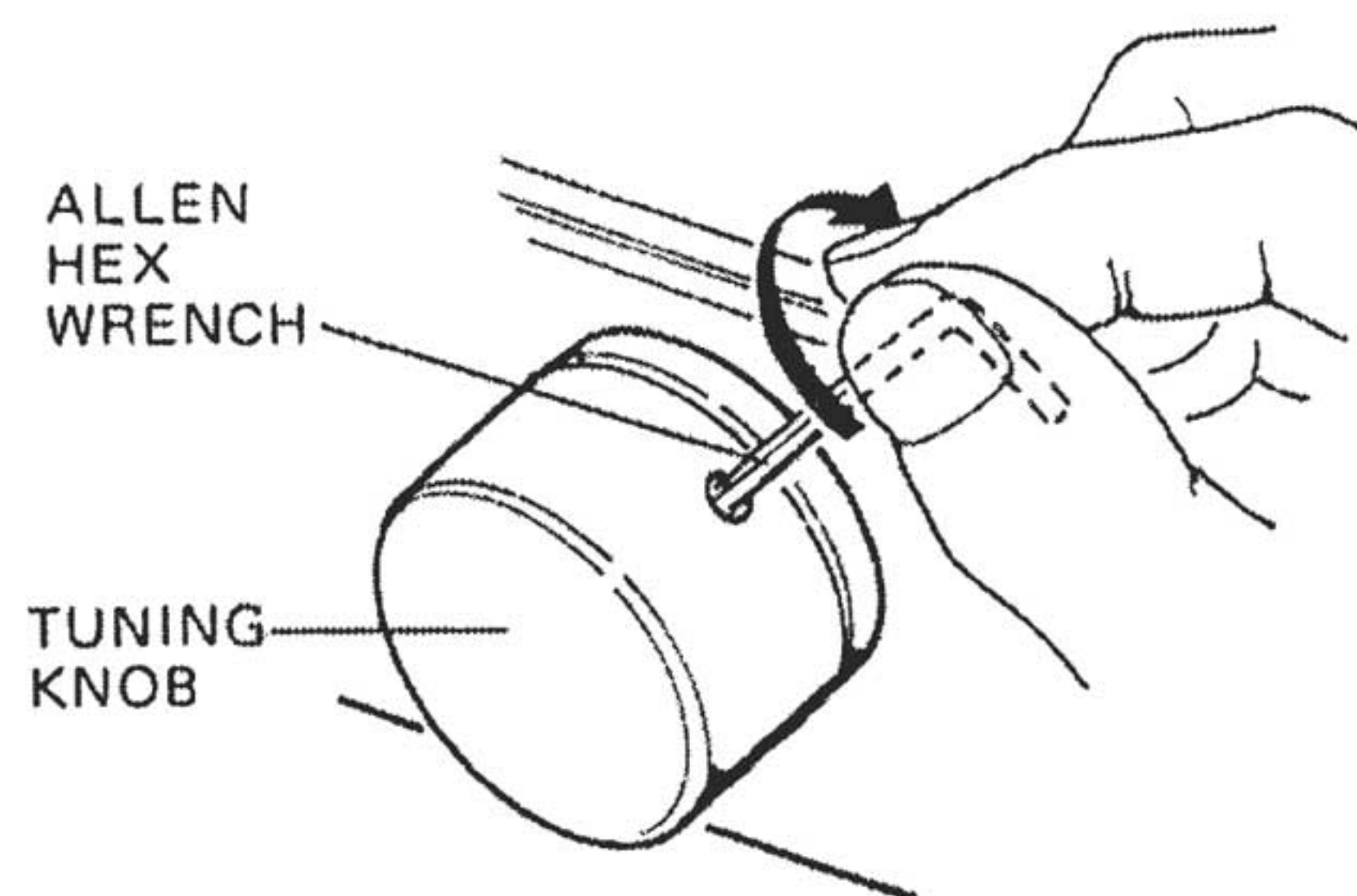


Fig. 13

ALLEN HEX WRENCH

The accessory Allen hex wrench is provided for removing the TUNING knob or tightening its set-screw in event it becomes loose.

If required, loosen the setscrew by inserting the wrench into the hole on the side of the knob and turning the wrench counterclockwise. Be particularly careful not to scratch the front panel when employing the wrench.



SPECIFICATIONS

Semiconductors

FETs	5
ICs	15
Transistors	12
Diodes	19

FM Section

Circuitry	MOS FET 2-stage RF amplifier, 5-gang variable capacitor, IF Band Selector, Wide-band linear detector, doublebalanced NFB type PLL MPX built-in pilot signal auto canceller.			
Usable Sensitivity	MONO:	8.8dBf (1.5 μ V)		
50dB Quieting Sensitivity	MONO:	13.2dBf (2.5 μ V)		
	STEREO:	36.1dBf (35 μ V)		
Signal-to-Noise Ratio at 65dBf	MONO:	82dB		
	STEREO:	77dB		
Distortion at 65dBf	MONO:	WIDE	NARROW	
		100Hz	0.05%	0.07%
	1kHz	0.05%	0.07%	
	10kHz	0.07%	0.1%	
	15kHz	0.12%	—	
	STEREO:	100Hz	0.1%	0.3%
		1kHz	0.07%	0.25%
		10kHz	0.2%	0.5%
		15kHz	0.5%	—
	Capture Ratio		0.8dB	2.0dB
Alternate Channel Selectivity		35dB	85dB	
Stereo Separation	1kHz:	50dB	45dB	
	50Hz to 15kHz:	35dB	30dB	
Frequency Response	20Hz to 10kHz	± 0.2 dB		
	20Hz to 15kHz	$+0.2$ dB -0.5		
Spurious Response Ratio		110dB		
Image Response Ratio		120dB		
IF Response Ratio		105dB		
AM Suppression Ratio		65dB		
Muting Threshold		19.2dBf(5 μ V), 34.1dBf(28 μ V)		
Subcarrier Product Ratio		77dB		
SCA Rejection Ratio		62dB		
Antenna Input		300ohms balanced		
		75ohms unbalanced		

AM Section

Circuitry	1 stage RF amplifier 3-gang variable capacitor
Sensitivity	
IHF, ferrite antenna	300 μ V/m
IHF, external antenna	15 μ V
Selectivity	30dB
Signal-to-Noise Ratio	55dB
Image Response Ratio	70dB
IF Response Ratio	65dB
Antenna	Built-in ferrite loopstick antenna

Audio Section

Output (Level/Impedance)	
FM (100% MOD.)	FIXED: 650mV/4.2k Ω VARIABLE: 50mV to 1.3V/3.6k Ω
AM (30% MOD.)	FIXED: 200mV/4.2k Ω VARIABLE: 15mV to 400mV/3.6k Ω

Miscellaneous

Power Requirements	120V 60Hz only.
Power Consumption	25W
Dimensions	420(W)x150(H)x395(D) mm 16-9/16x5-7/8x15-9/16 in
Weight	Without Package: 9.5kg (20lb 15oz)
	With Package: 11.0kg (24lb 4 oz)

Furnished Parts

FM T-type antenna	1
Operating Instructions	1
Connection Cord with Pin Plugs	1
Hex. Wrench (used for fastening Tuning knob)	1

NOTE:

Specifications and the design subject to possible modification without notice due to improvements.

CONDITIONS FREQUENTLY MISTAKEN FOR MALFUNCTION

If your stereo system appears to malfunction, first check such things as the controls (power switch, function selector, tape monitor, etc.) and connecting cords (components connected correctly).

Noise: There are a variety of noises relating to the operation of a hi-fi unit. These are generally divided into two types: (1) the unit is faulty (a transistor or part has deteriorated) and (2) an external source is adding to the unit.

When a hi-fi unit produces an unpleasant noise, it is

often assumed that the unit is faulty, but statistical records indicate that the majority of noises produced in hi-fi acoustic units result from external sources of noise: Due to the inherent high sensitivity and the high fidelity in reproduction, the unit amplifies and reproduces extraneous noises, however small, into definite output noise. If your tuner produces a noise, check according to the following table and trace out the source of noise for the appropriate corrective action.

	SYMPTOM	SUSPECTED SOURCE OF NOISE	DIAGNOSIS AND REMEDY
WHEN LISTENING TO BROADCASTS	Continuous or intermittent noise like jjjjjj or zzzzzz.	<ul style="list-style-type: none"> ● Static (lightning) ● Fluorescent lamp, motor, or thermostat may be in use in house or in the vicinity of the house. 	In many cases, it is very difficult to remove the source of noise. In order to make the radio input larger than the noise level, set up a good outdoor antenna and make a complete grounding.
	When a station is tuned in, hum is mixed in the program.	<ul style="list-style-type: none"> ● Poor fluorescent lamp, motor, or electric heater may be in use in house or near the house. 	Reversing the line plug may occasionally alleviate this noise problem. Usually it is very difficult to eliminate the noise.
	Hissing sound noise in AM (medium wave) reception.	<ul style="list-style-type: none"> ● The frequency of an adjacent station is interfering with that of the station being tuned in (10kHz beat interference). ● TV set is on in the same house with the tuner. 	Impossible to remove such interference. If the cause of such noise is the TV set, increase the distance between the TV set and tuner.
	Static noise (in particular, when automobiles run close to the house).	<ul style="list-style-type: none"> ● White noise generated from automobile engines. ● High frequency sewing machine or welding machine being used near your house. 	In an area surrounded by hills or high buildings, the FM input signals are very weak. Thus the noise limiter in the circuit loses its function. Set up an FM outdoor antenna having many director elements.
	Reception of FM stereo program contains more noise than FM mono program.	<ul style="list-style-type: none"> ● Note that the service area covered by an FM stereo broadcast is about 50% of that of a regular mono broadcast. 	Increasing the FM input signal may alleviate this problem. Use an FM outdoor antenna instead of the indoor T-type antenna.

PIONEER ELECTRONIC CORPORATION

4-1, Meguro 1-Chome, Meguro-ku, Tokyo 153, Japan

U.S. PIONEER ELECTRONICS CORPORATION

85 Oxford Drive, Moonachie, New Jersey 07074, U.S.A.

PIONEER ELECTRONIC (EUROPE) N.V.

Luithagen-Haven 9, 2030 Antwerp, Belgium

PIONEER ELECTRONICS AUSTRALIA PTY. LTD.

178-184 Boundary Road, Braeside, Victoria 3195, Australia

Printed in Japan

(ARB-207-A)