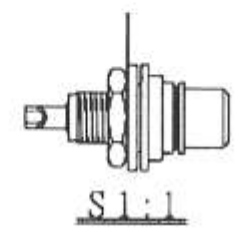
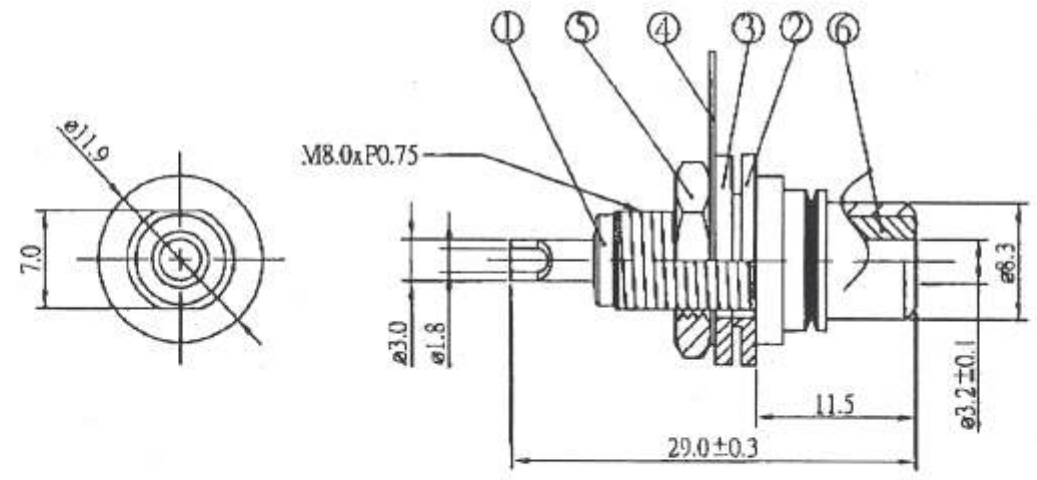


DIMENSIONS ARE IN MILLIMETERS

- 0.5-5 = +/- 0.2
- 5-30 = +/- 0.4
- 30-120 = +/- 0.6
- 120-315 = +/- 1
- 315-1000 = +/- 1.6
- 1000-2000 = +/- 2.4



6	INSULATOR	1	TEFLON	WHITE
5	HEX NUT	1	BRASS	GOLD
4	EARTH TAG	1	BRASS	GOLD
3	WASHER	1	PLASTIC	RED/WHITE/BLACK
2	WASHER	1	PLASTIC	RED/WHITE/BLACK
1	BODY	1	BRASS	GOLD
No.	DESCRIPTION	Qty	MATERIAL	FINISH

APPROVED BY :




Date: DEC. 27 2004

UNITED AU-VI CO., LTD.

Description: RCA JACK CHASSIS MOUNT - ROUND TYPE

Part No.: RJ-2008-T

ULTIMAX 

THE ULTIMATE ELECTRONIC COMPONENTS

File No.: