



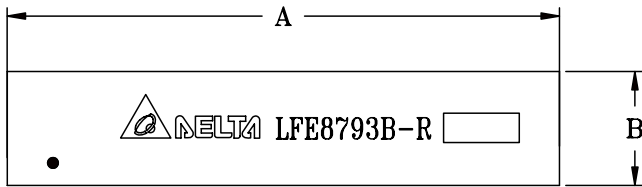
# SPECIFICATION FOR APPROVAL

CUSTOMER PART NO.:  
 DELTA PART NO.: LFE8793B-R  
 PART NAME: 100Base-T quad port transformer

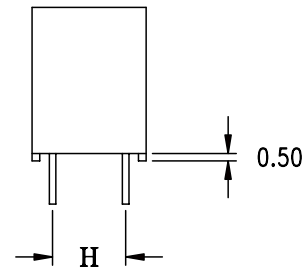
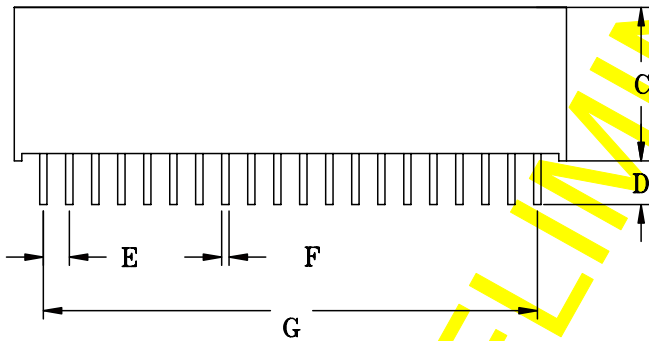
REV.: E



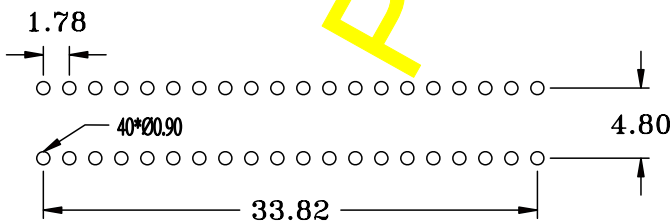
## 1. MECHANICAL DIMENSIONS :



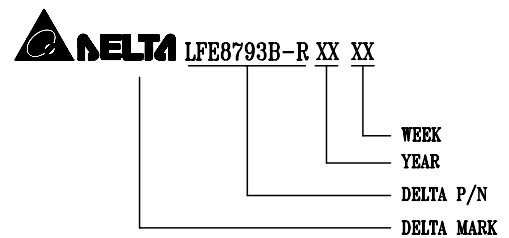
UNIT: mm/inch  
 A = 37.8±0.254/1.488±0.010  
 B = 7.8±0.254/0.307±0.01  
 C = 10.5±0.254/0.413±0.01  
 D = 3.0±0.254/0.118±0.01  
 E = 1.78±0.254/0.07±0.01  
 F = 0.5±0.05/0.012±0.002  
 G = 33.82±0.254/1.33±0.01  
 H = 4.8±0.254/0.189±0.01



## 2. MARKING AND RECOMMENDED PCB LAYOUT :



SUGGESTED PCB LAYOUT(Unit:mm)



\* MARKING\*

\* This specification is the proprietary of Delta Electronics, Inc.  
 \* This specification is only for preliminary review. If formal specification is required, please contact with our local Sales office or Rep.



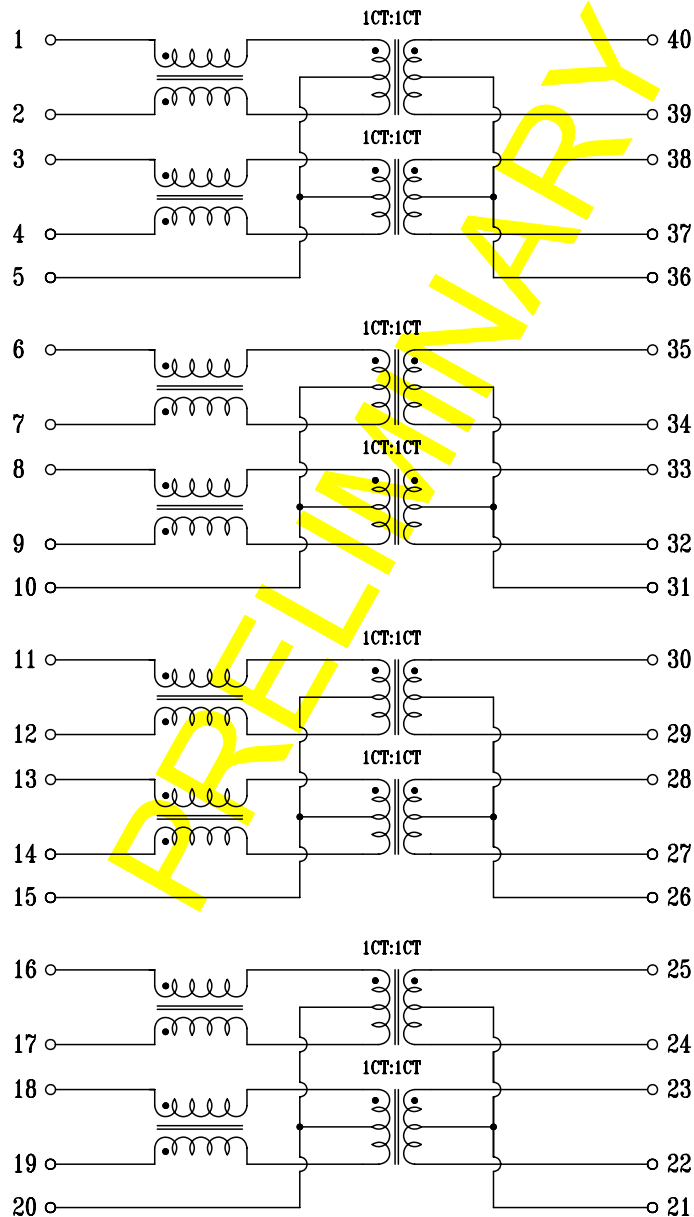
# SPECIFICATION FOR APPROVAL

CUSTOMER PART NO.:  
DELTA PART NO.: LFE8793B-R  
PART NAME: 100Base-T quad port transformer

REV.: E



### 3. CIRCUIT SCHEMATIC:



\* This specification is the proprietary of Delta Electronics, Inc.  
\* This specification is only for preliminary review. If formal specification is required, please contact with our local Sales office or Rep.



# SPECIFICATION FOR APPROVAL

CUSTOMER PART NO.: DELTA PART NO.: LFE8793B-R PART NAME: 100Base-T quad port transformer	REV.: E

## 4. ELECTRICAL CHARACTERISTICS (TEMP: 25°C, HUM: 65% RH)

### 4-1. INSERTION LOSS:

1-100MHz -1.2dB MAX

### 4-2. RETURN LOSS:

30MHz -15dB MIN.

50MHz -13dB MIN.

80MHz -11dB MIN.

### 4-3. CROSS TALK:

1~30MHz -40dB MIN.

30~60MHz -35dB MIN.

60~100MHz -30dB MIN.

### 4-4. COMMON MODE REJECTION:

1-30MHz -30dB MIN.

30~60MHz -25dB MIN.

60~125MHz -20dB MIN.

### 4-5. PRIMARY INDUCTANCE: @100KHz, 0.1Vrms, 8mA DC BIAS

350uH MIN

### 4-6. HI-POT TEST: @60Hz

(PRI TO SEC) : 1500Vrms, 60Sec

### 4-7. TURNS RATIO:

(TX : RX) : 1CT:1CT±3%

\* RoHS compliant

\* STORAGE TEMPERATURE RANGE: -40°C~85°C

\* OPERATE TEMPERATURE RANGE: 0~70°C

\* PLASTIC HEAT DEFLECTION TEMP: 260°C~280°C

\* This specification is the proprietary of Delta Electronics, Inc.

\* This specification is only for preliminary review. If formal specification is required, please contact with our local Sales office or Rep.