

10/100 BASE-TX LAN MAGNETICS FOR AUTO MDI/MDIX APPLICATION

P/N: 20PT1024X LF DATA SHEET

Feature



- Compliant with IEEE 802.3u and ANSI X3.263 standards including 350uH OCL with 8mA Bias.
- Symmetrical TX and RX channels for Auto MDI/MDIX capability.
- Compliance with ROHS requirements.
- Operating temperature range : 0 to +70 .
- Storage temperature range: -25 to +85 .

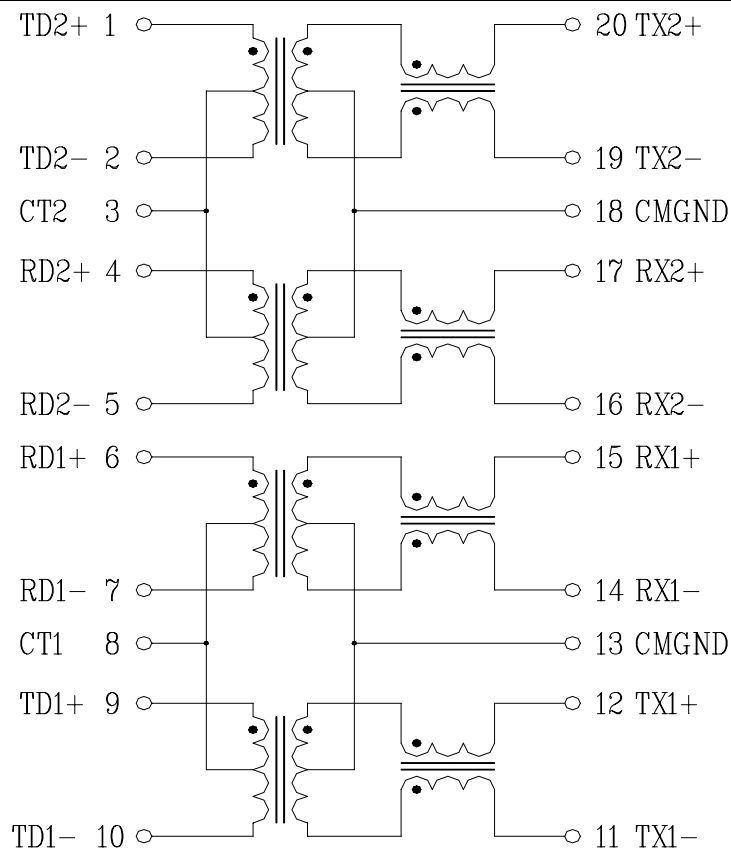
Electrical Specifications @ 25°C

Part Number	Turns Ratio (±5%)		OCL (μ H Min) @100KHz/0.1Vrms with 8mA DC/Bias	C _{ww} (pF Max)	DCR (Max)	HI-POT (Vrms)
	TX	RX				
20PT1024X LF	1CT:1CT	1CT:1CT	350	56	0.9	1500

Continue

Part Number	Insertion Loss (dB Max)	Return Loss (dB Min)			Cross talk (dB Min)	DCMR (dB Min)
		0.3-30MHz	30-60MHz	60-80MHz		
20PT1024X LF	-1.1	-18	-14	-12	-35	-30

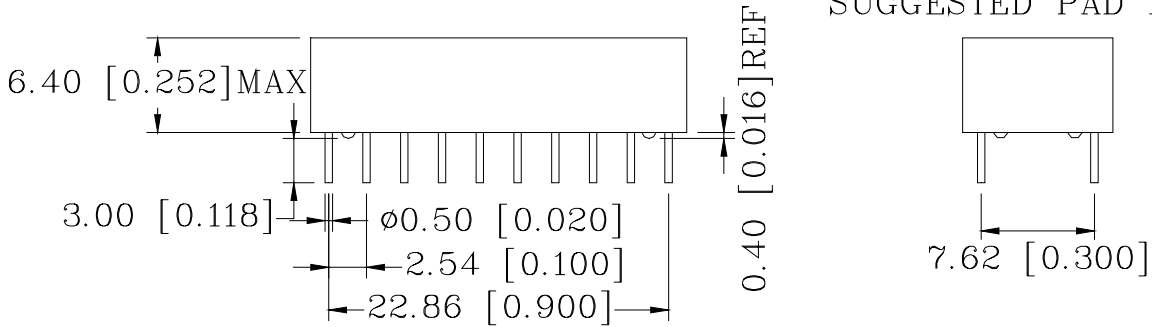
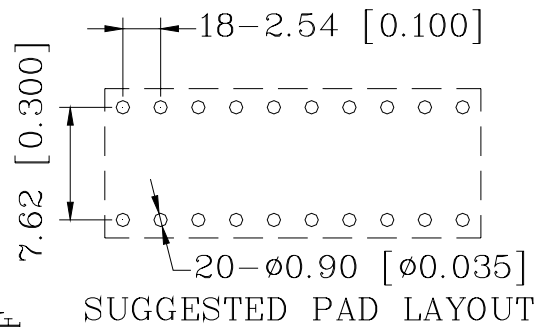
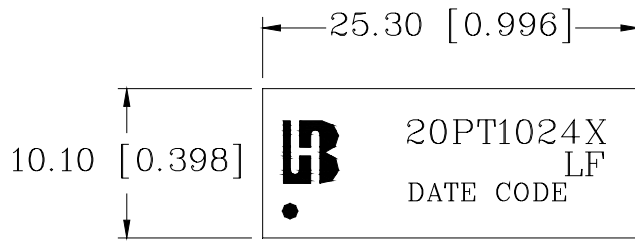
Schematic



10/100 BASE-TX LAN MAGNETICS FOR AUTO MDI/MDIX APPLICATION

P/N: 20PT1024X LF DATA SHEET

Mechanical



Units: mm[Inches] Tolerances: xx.x0±0.25[0.010]
0.xx±0.05[0.002]